



US00D363641S

# United States Patent [19]

[11] Patent Number: **Des. 363,641**

Goto et al.

[45] Date of Patent: **\*\*\* Oct. 31, 1995**

[54] CUP WITH LID

[75] Inventors: **Toru Goto; Yukari Kawamura**, both of Tokyo, Japan

[73] Assignee: **Nippon Sanso Corporation**, Tokyo, Japan

[\*] Notice: The portion of the term of this patent subsequent to Oct. 24, 2009, has been disclaimed.

[\*\*] Term: **14 Years**

[21] Appl. No.: **19,199**

[22] Filed: **Feb. 25, 1994**

### [30] Foreign Application Priority Data

Aug. 31, 1993 [JP] Japan ..... 5-26367

[52] U.S. Cl. .... **D7/511; D7/510; D7/533**

[58] Field of Search ..... D7/510, 511, 507, D7/509, 514, 523, 533, 608; D9/551, 564, 503, 504, 500, 538, 539, 532, 502, 557, 440, 445, 446, 437, 438, 493, 452, 453, 454, 455, 443; 220/703, 711, 713, 705, 707, 709, 714, 715, 675; 215/1 A, 329

### [56] References Cited

#### U.S. PATENT DOCUMENTS

- D. 220,358 3/1971 Bewley ..... D7/608
- D. 246,029 10/1977 Lynn et al. .... D9/503
- D. 274,209 6/1984 Kikuchi ..... D7/608
- D. 274,848 7/1984 Chevassus ..... D9/504 X

- D. 276,139 10/1984 Rayner ..... D9/503
- D. 285,657 9/1986 Poore ..... D9/504
- D. 289,143 4/1987 Guillaume ..... D9/445 X
- D. 322,753 12/1991 Sussman ..... D9/504
- D. 326,586 6/1992 Embree ..... D7/533 X
- D. 328,248 7/1992 Ruff ..... D9/503 X
- D. 348,221 6/1994 Hirst et al. .... D9/443 X
- D. 351,314 10/1994 Sokolski et al. .... D7/533 X
- 4,040,549 8/1977 Sadler ..... D7/507 X
- 4,852,757 8/1989 Gold ..... 220/703 X

Primary Examiner—Alan P. Douglas  
Assistant Examiner—M. N. Pandozzi  
Attorney, Agent, or Firm—Lowe, Price, LeBlanc & Becker

### [57] CLAIM

The ornamental design for the cup with lid, as shown and described.

### DESCRIPTION

FIG. 1 is a rear perspective view of a cup with lid showing our new design;  
 FIG. 2 is a front elevational view thereof, the opposite side being a mirror image;  
 FIG. 3 is a left side elevational view thereof;  
 FIG. 4 is a right side elevational view thereof;  
 FIG. 5 is a top plan view thereof;  
 FIG. 6 is a bottom plan view thereof;  
 FIG. 7 is a cross sectional view thereof, taken along line 7—7 of FIG. 4; and,  
 FIG. 8 is a cross sectional view thereof, taken along line 8—8 of FIG. 2.

1 Claim, 4 Drawing Sheets

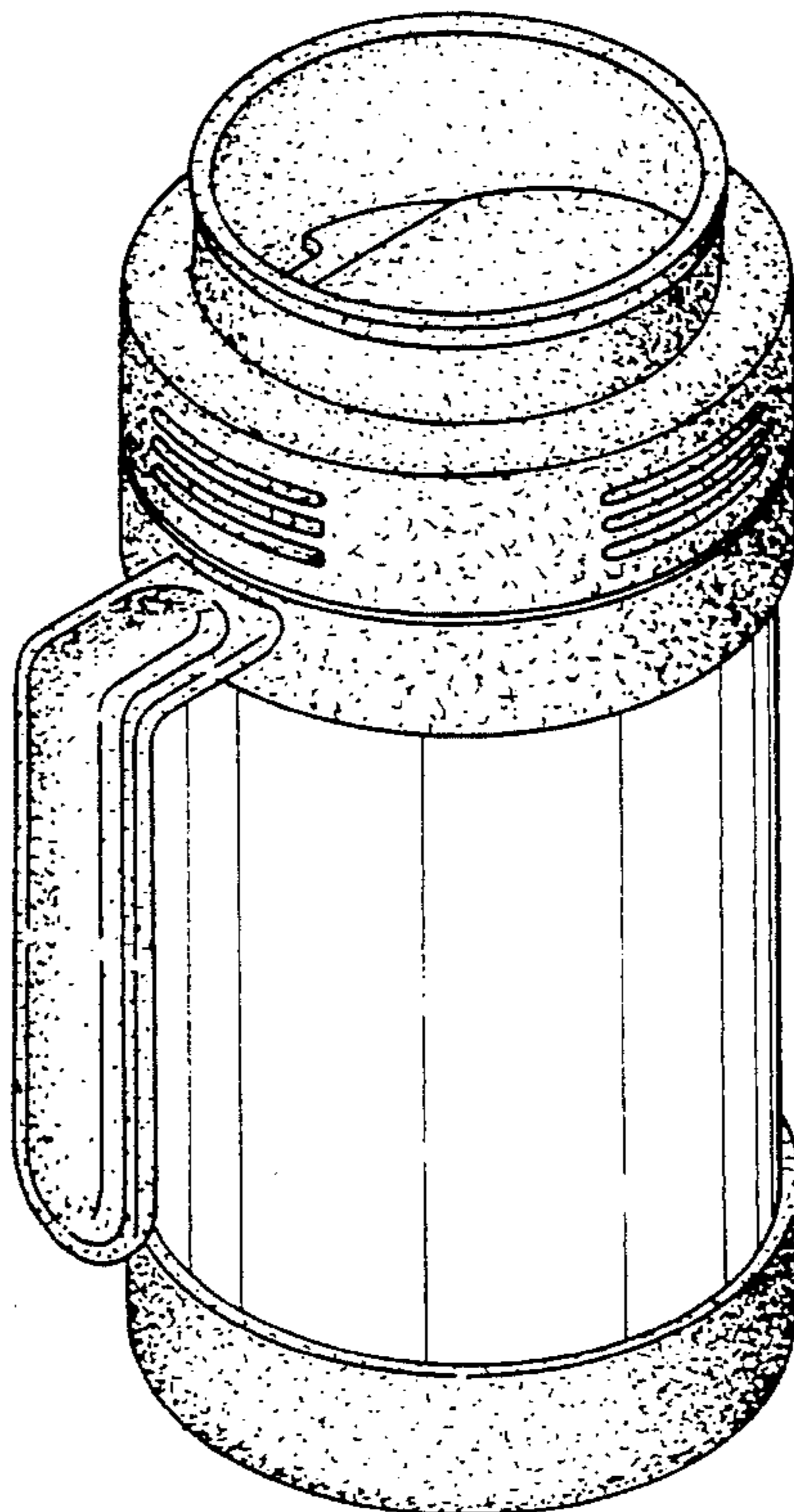


FIG. 1

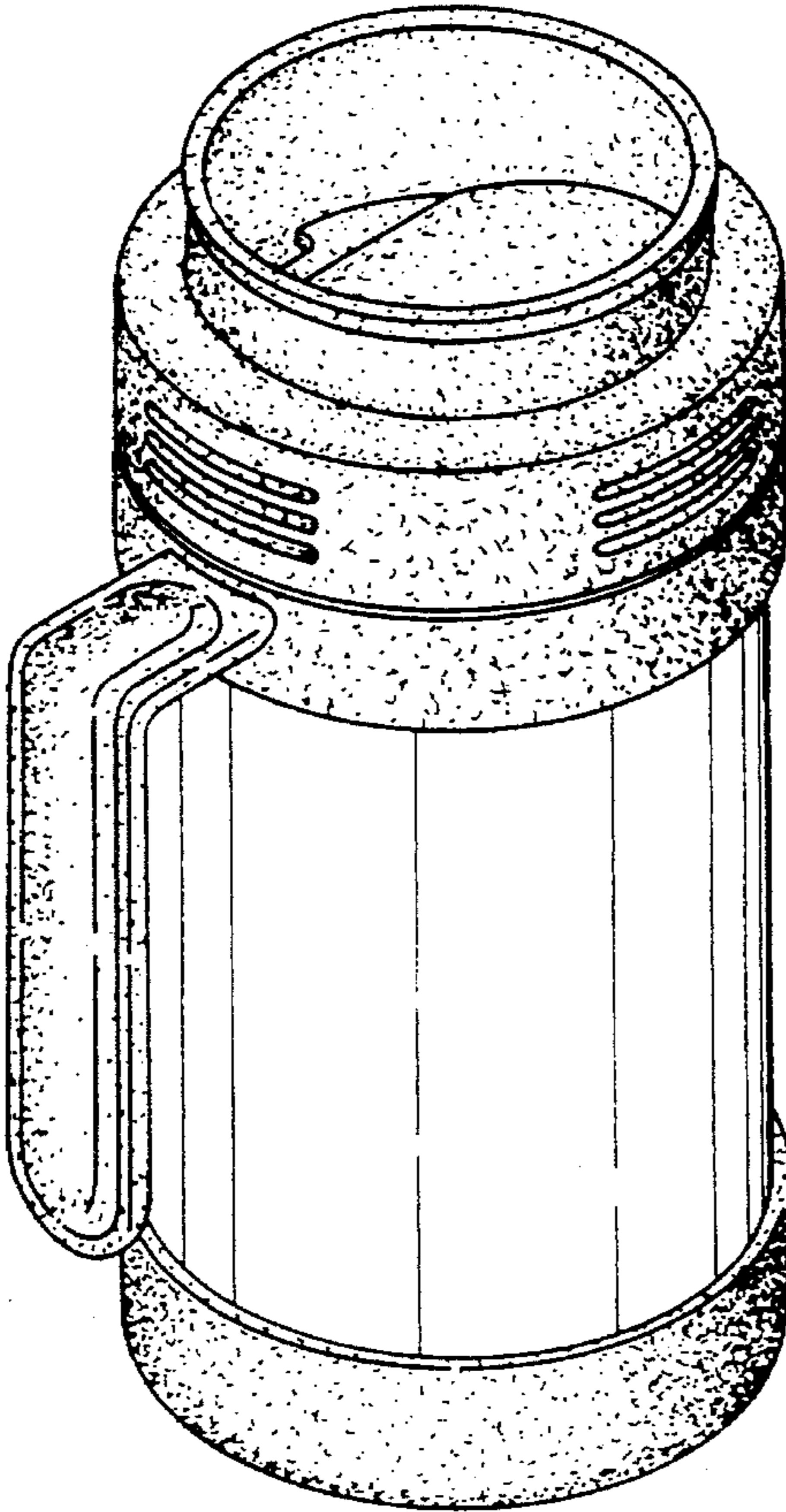


FIG. 2

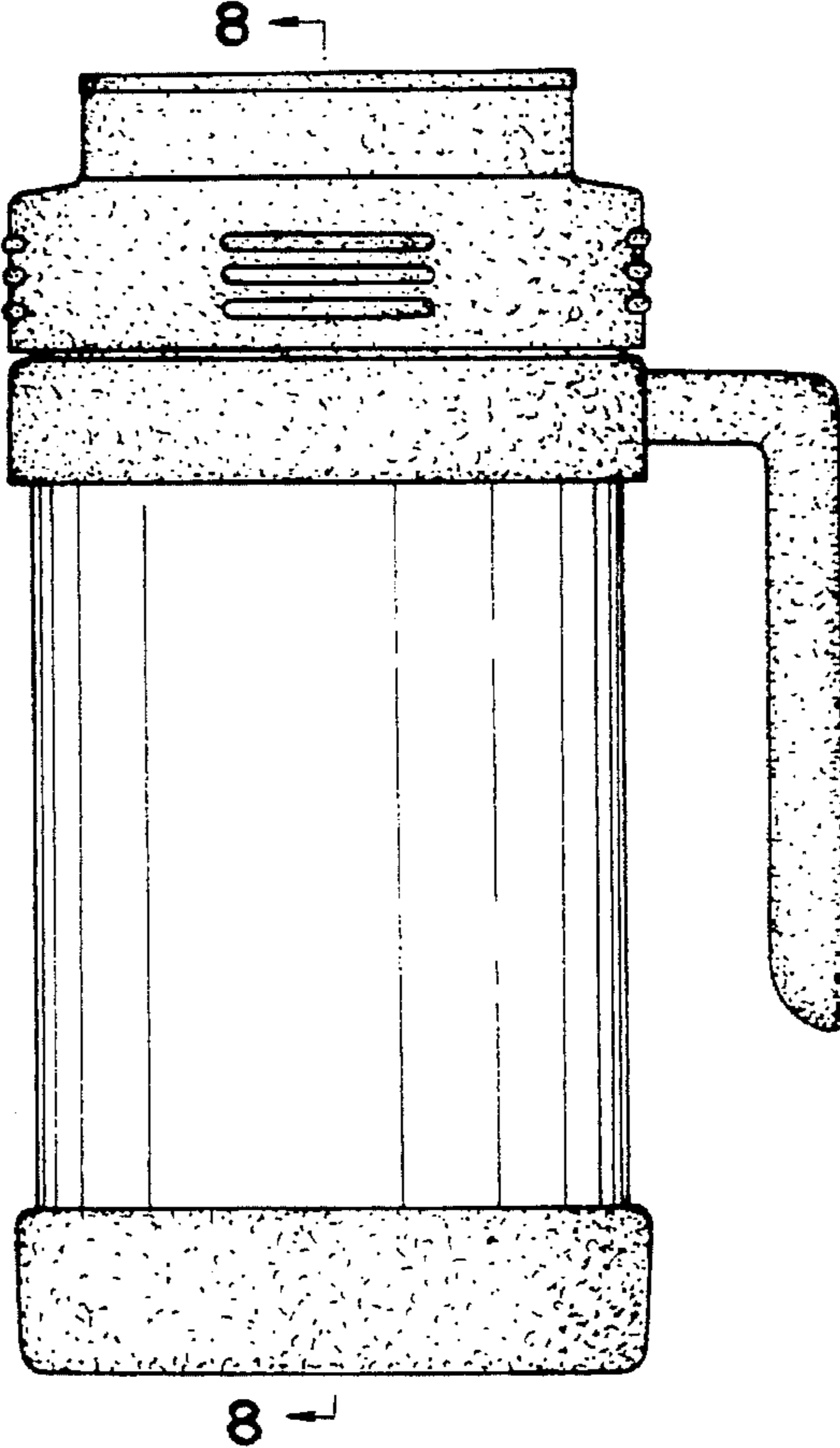


FIG. 3

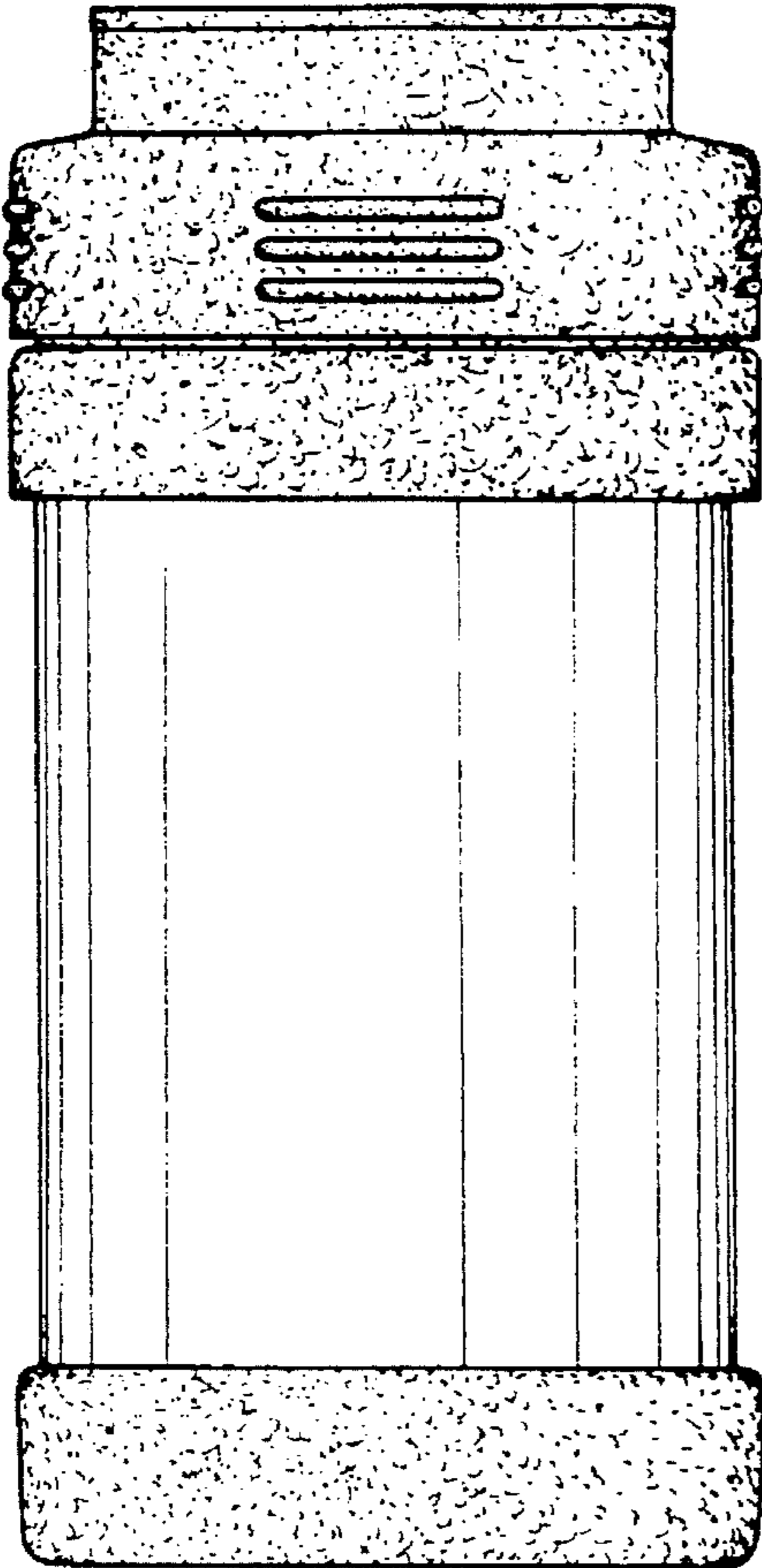


FIG. 4

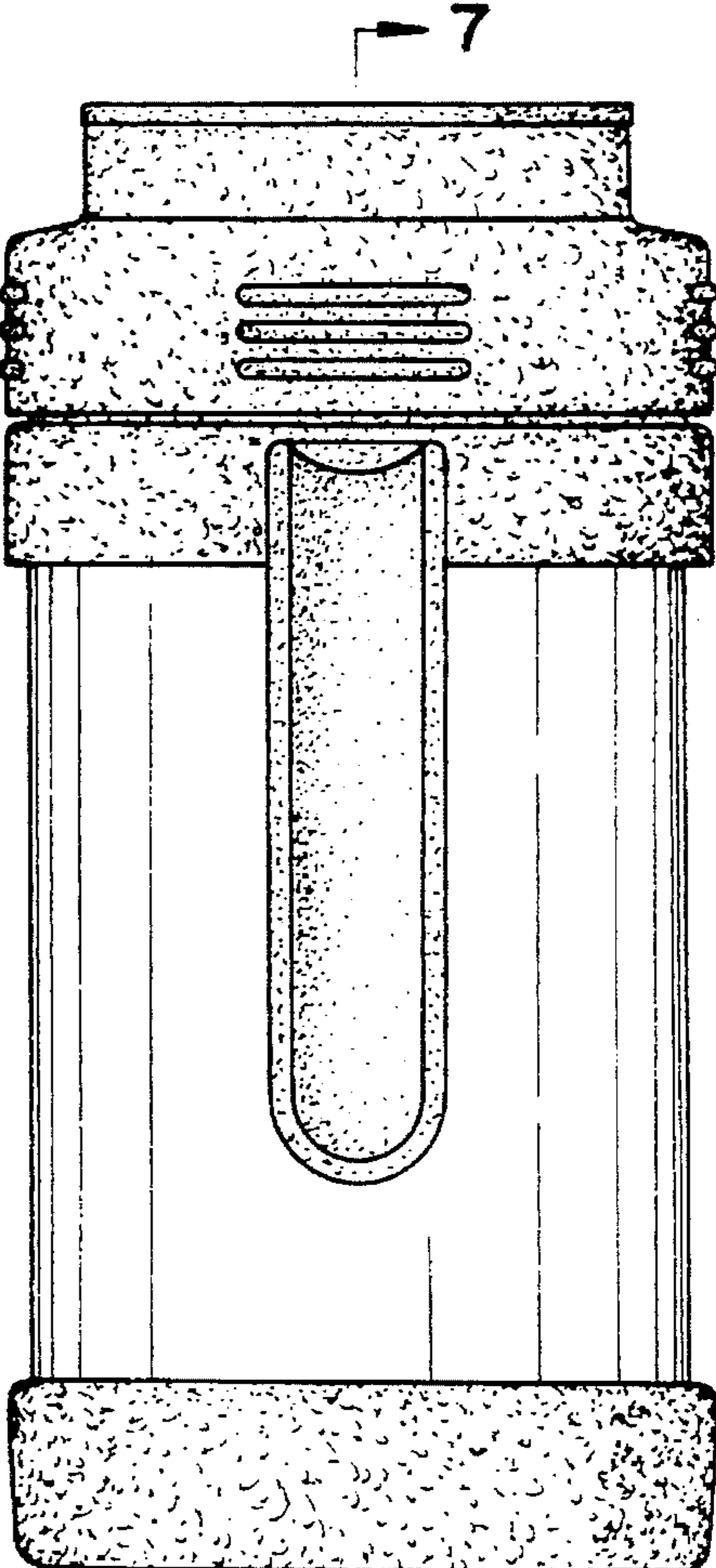


FIG. 5

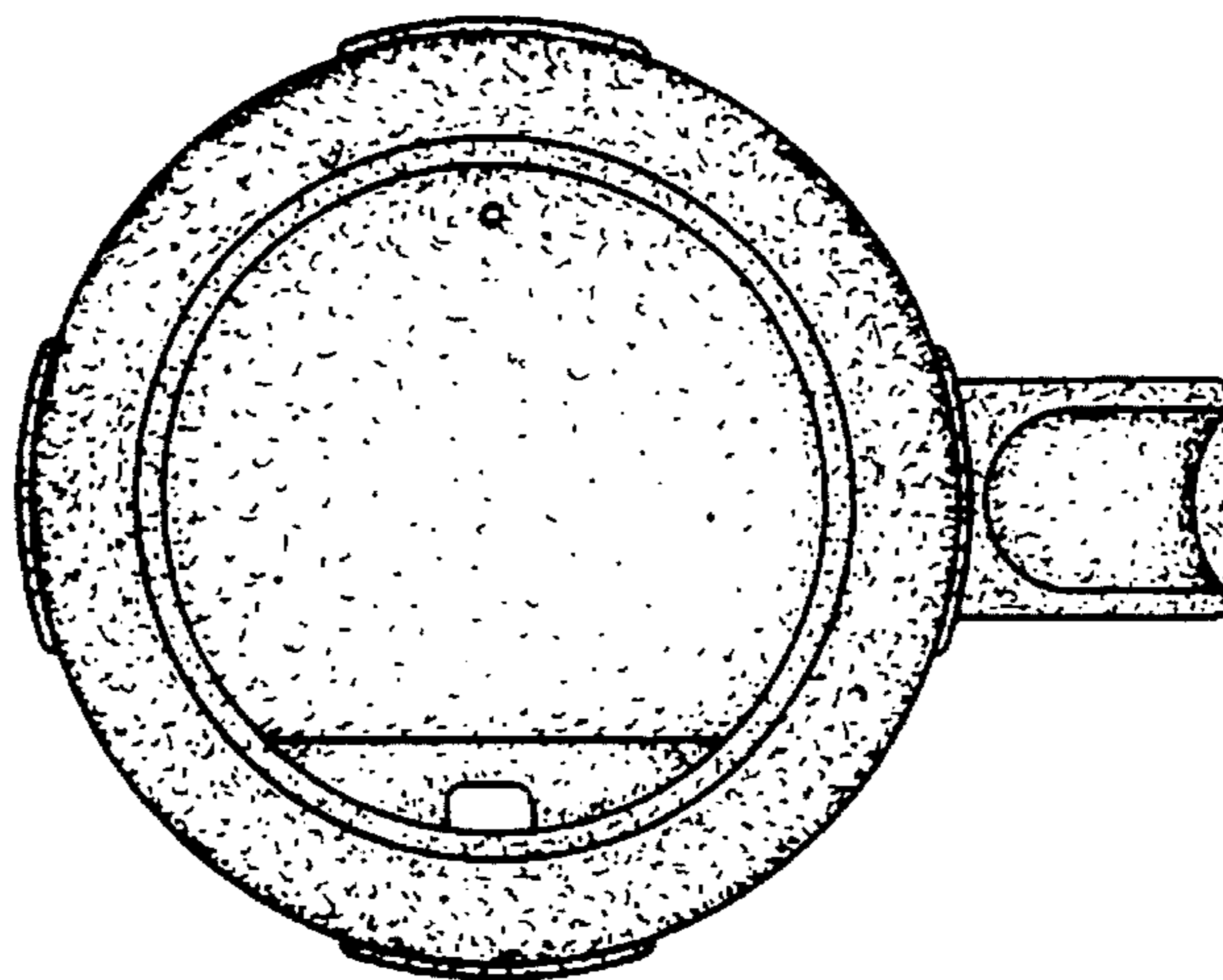


FIG. 6

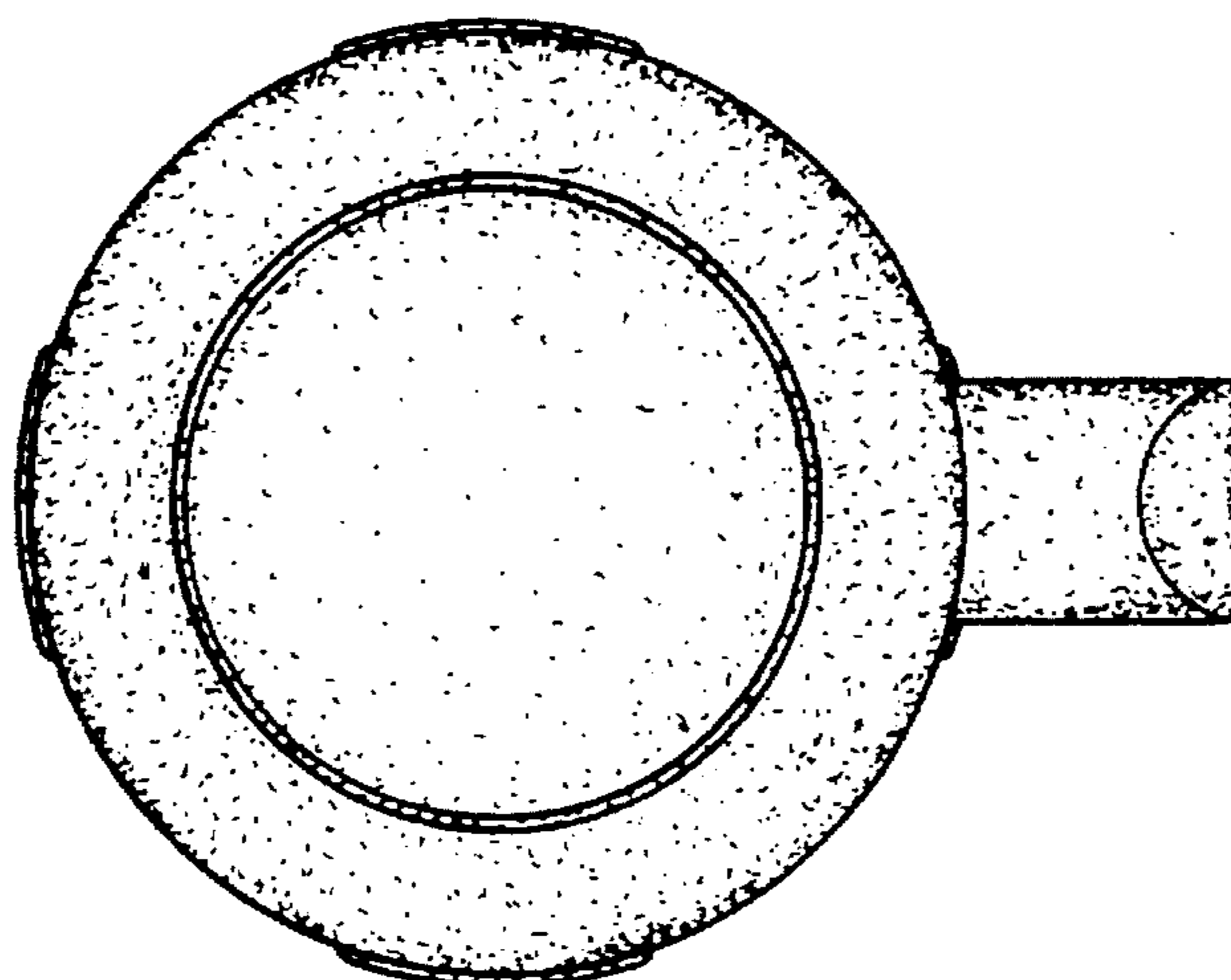


FIG. 7

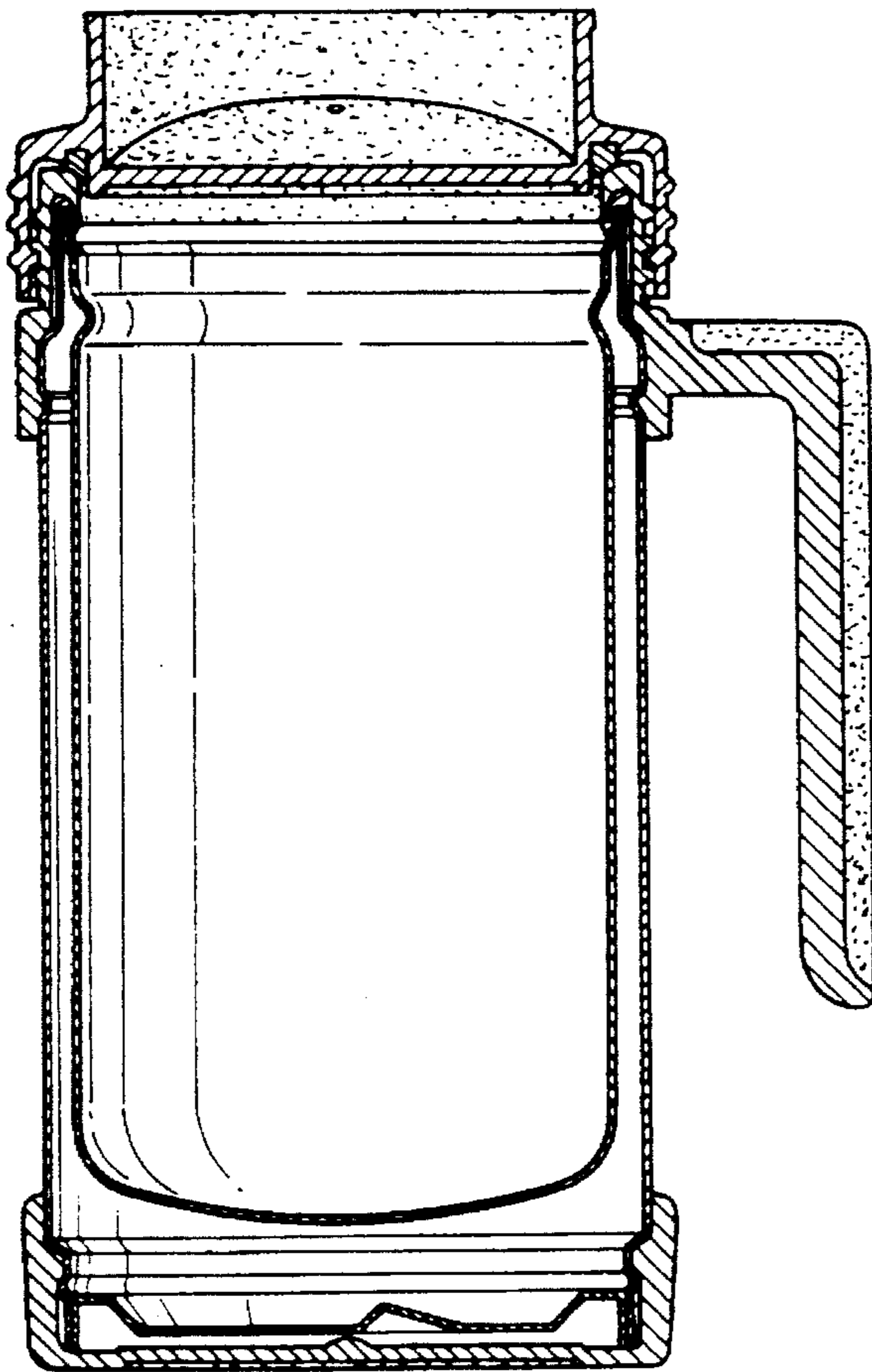


FIG. 8

