



US00D363640S

# United States Patent [19]

[11] Patent Number: **Des. 363,640**

King et al.

[45] Date of Patent: **\*\*Oct. 31, 1995**

[54] **COMBINED GRILL CART WITH A DROP TABLE AND A LOWER SHELF**

[75] Inventors: **William King, Neosho; Andy Hill, Joplin, both of Mo.; Glen Kemnitz, Gallatin, Tenn.**

[73] Assignee: **Sunbeam Corporation, Fort Lauderdale, Fla.**

[\*\*] Term: **14 Years**

[21] Appl. No.: **16,650**

[22] Filed: **Nov. 19, 1993**

[52] U.S. Cl. .... **D7/403; D7/334**

[58] Field of Search ..... **D7/332, 334-337, D7/339, 402-403; D6/480, 429; 108/50; 126/50, 25 R, 25 A, 25 AA, 29-30, 9 R, 9 B, 38, 39 B, 39 H, 40; 99/450, 449**

[56] **References Cited**

**U.S. PATENT DOCUMENTS**

D. 214,220	5/1969	Halen .....	D7/334
D. 251,538	4/1979	Vredenburg .....	D7/334
D. 251,549	4/1979	Vredenburg .....	D7/347
D. 281,215	11/1985	Lastuck .....	D7/363
D. 321,108	10/1991	Lutter et al. ....	D7/332
4,718,399	1/1988	Shepherd .....	126/25 R
4,949,701	8/1990	Krosp et al. ....	126/41 R
4,959,358	9/1990	Harris et al. ....	126/25 R
4,984,515	1/1991	Pivonka .....	99/449

5,086,752	2/1992	Hait .....	126/9 R
5,086,753	2/1992	Berger .....	126/41 R
5,094,221	3/1992	Ho .....	126/4
5,105,726	4/1992	Lisker .....	99/340
5,109,834	5/1992	Collins et al. ....	126/41 R
5,140,973	8/1992	Home .....	126/25 R
5,168,796	12/1992	Porton et al. ....	99/340
5,220,764	6/1993	James .....	52/473

*Primary Examiner*—Ruth McInroy  
*Attorney, Agent, or Firm*—Michael J. Kline; Darren E. Wolf; Carol I. Bordas

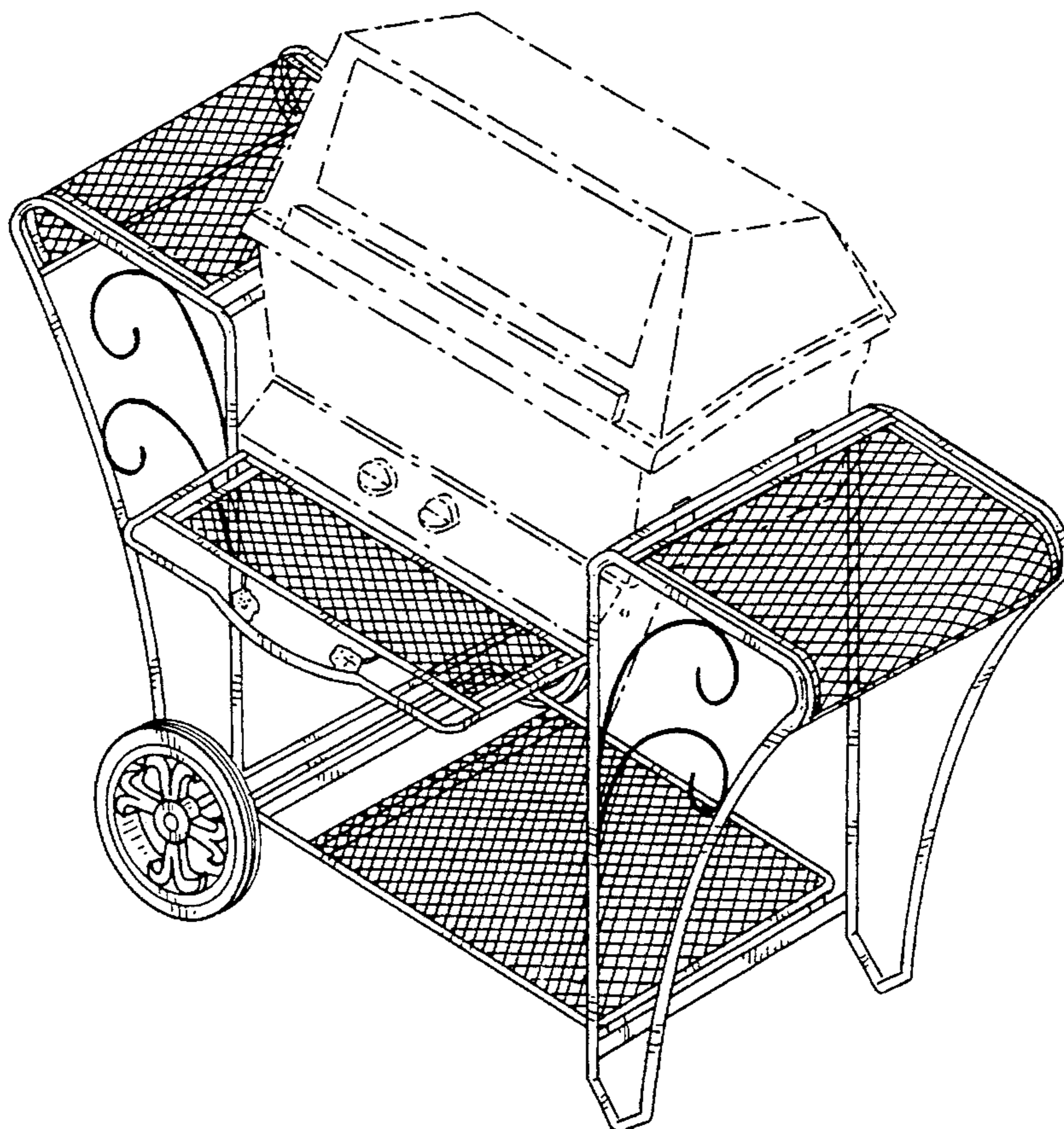
[57] **CLAIM**

The ornamental design for a combined grill cart with drop table and lower shelf, as shown and described.

**DESCRIPTION**

FIG. 1 is a front perspective view of a combined grill cart with a drop table and a lower shelf showing our new design; FIG. 2 is a front perspective view thereof with the drop table in a down position; FIG. 3 is a front elevational view thereof; FIG. 4 is a rear elevational view thereof; FIG. 5 is a top plan view thereof; FIG. 6 is a bottom plan view thereof; FIG. 7 is a left side elevational view thereof; and, FIG. 8 is a right side elevational view thereof. The barbeque grill shown in broken lines in FIGS. 1-8 is for illustrative purposes only and forms no part of the claimed design.

**1 Claim, 7 Drawing Sheets**



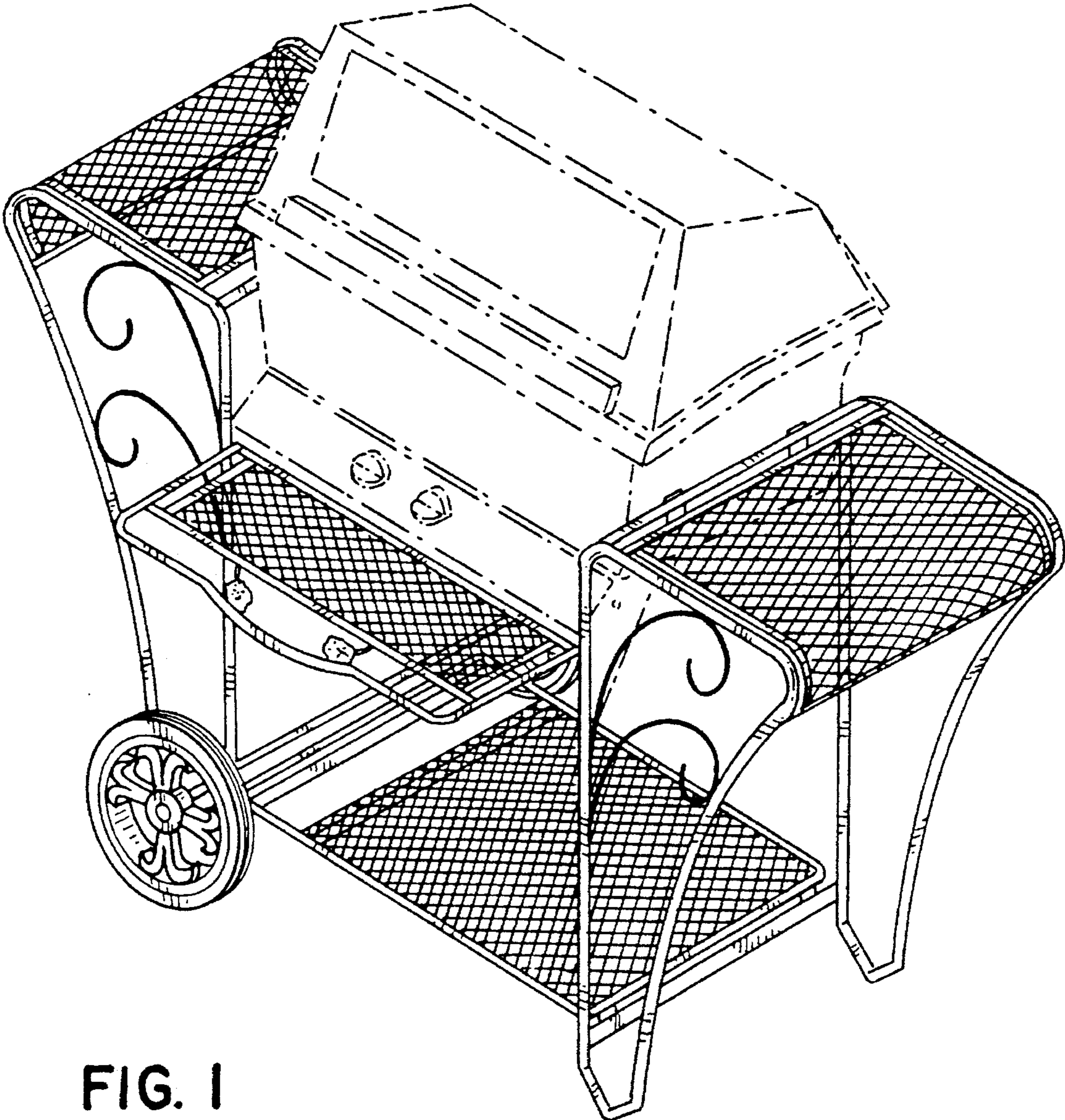


FIG. 1

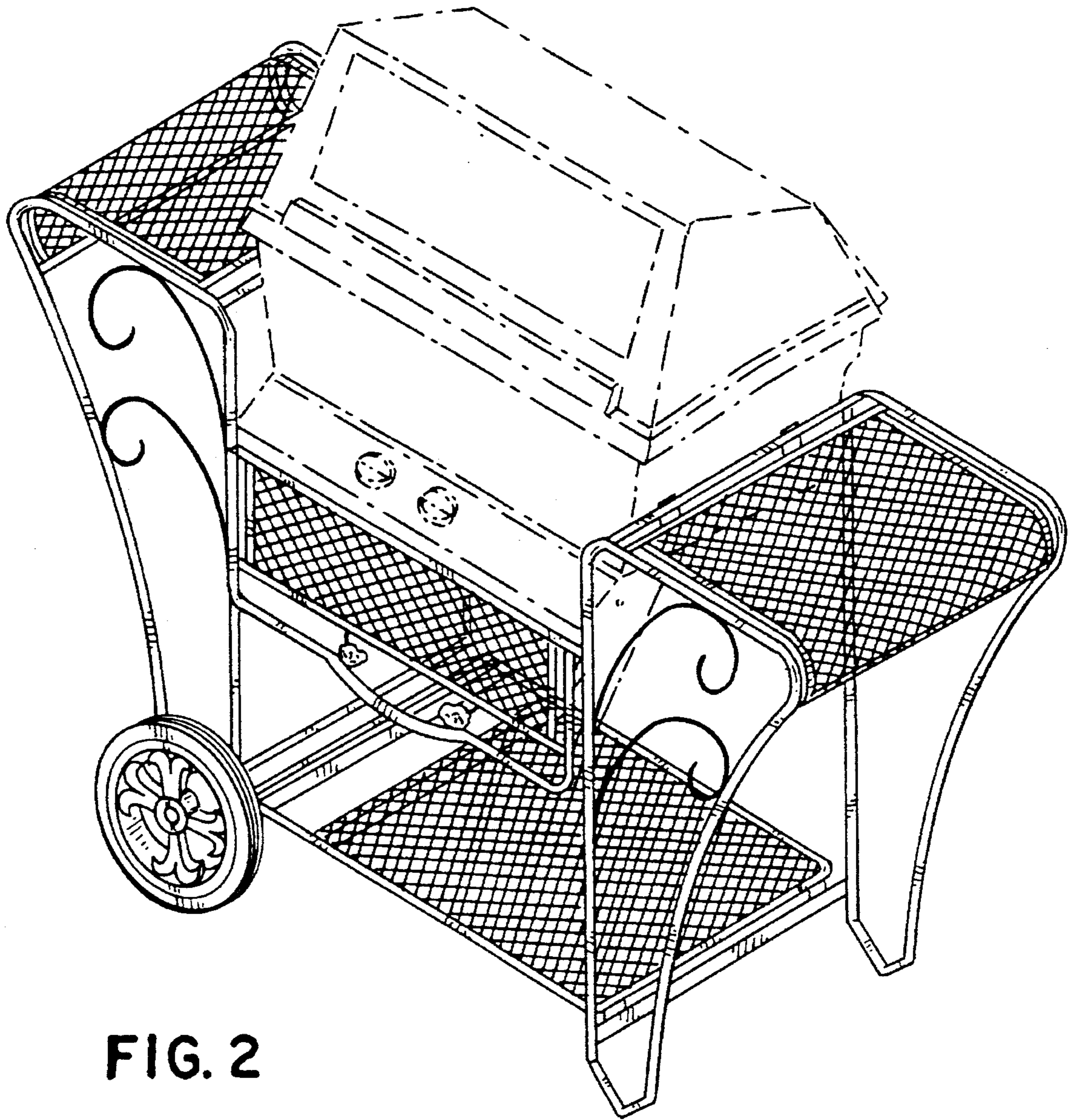


FIG. 2

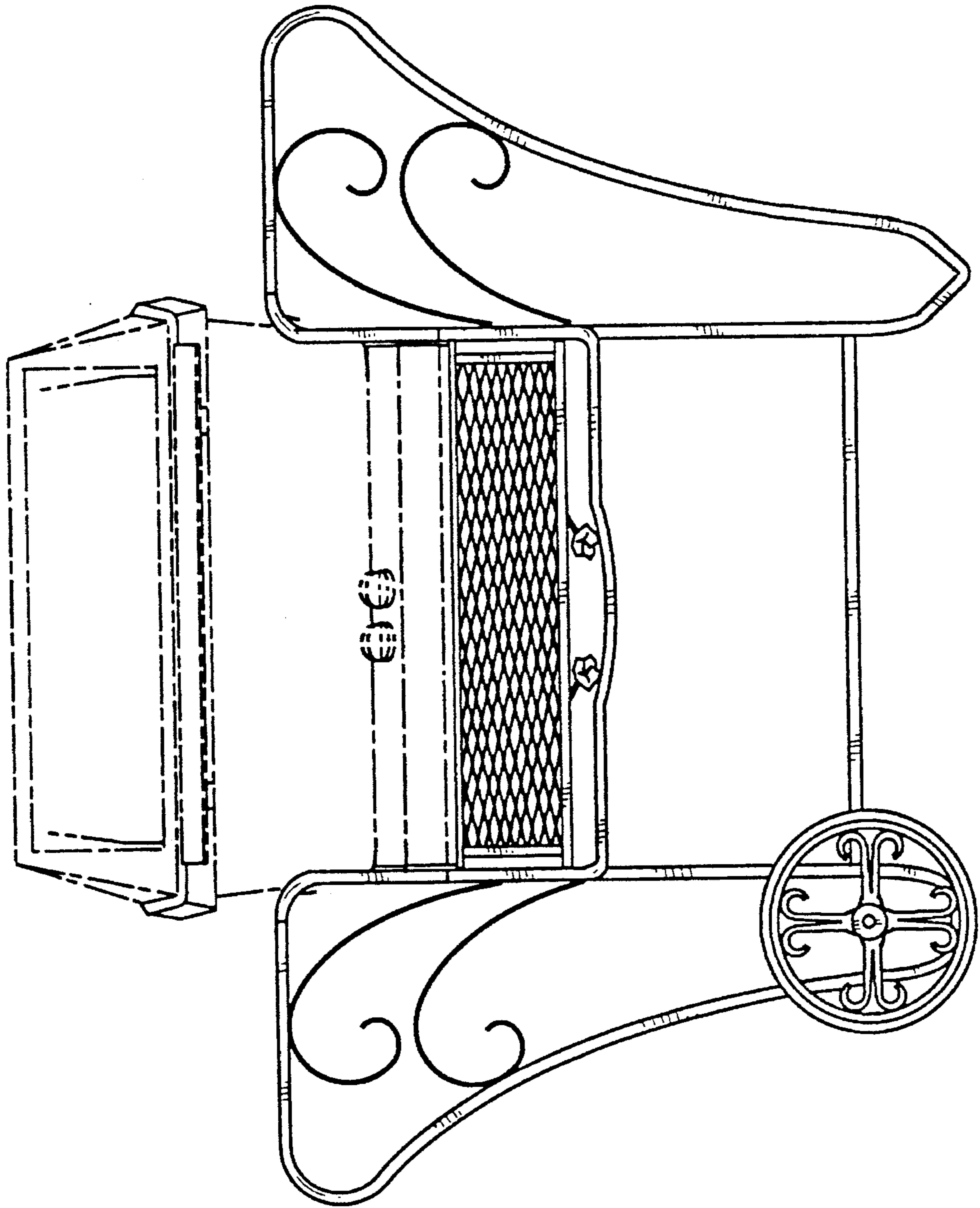


FIG. 3

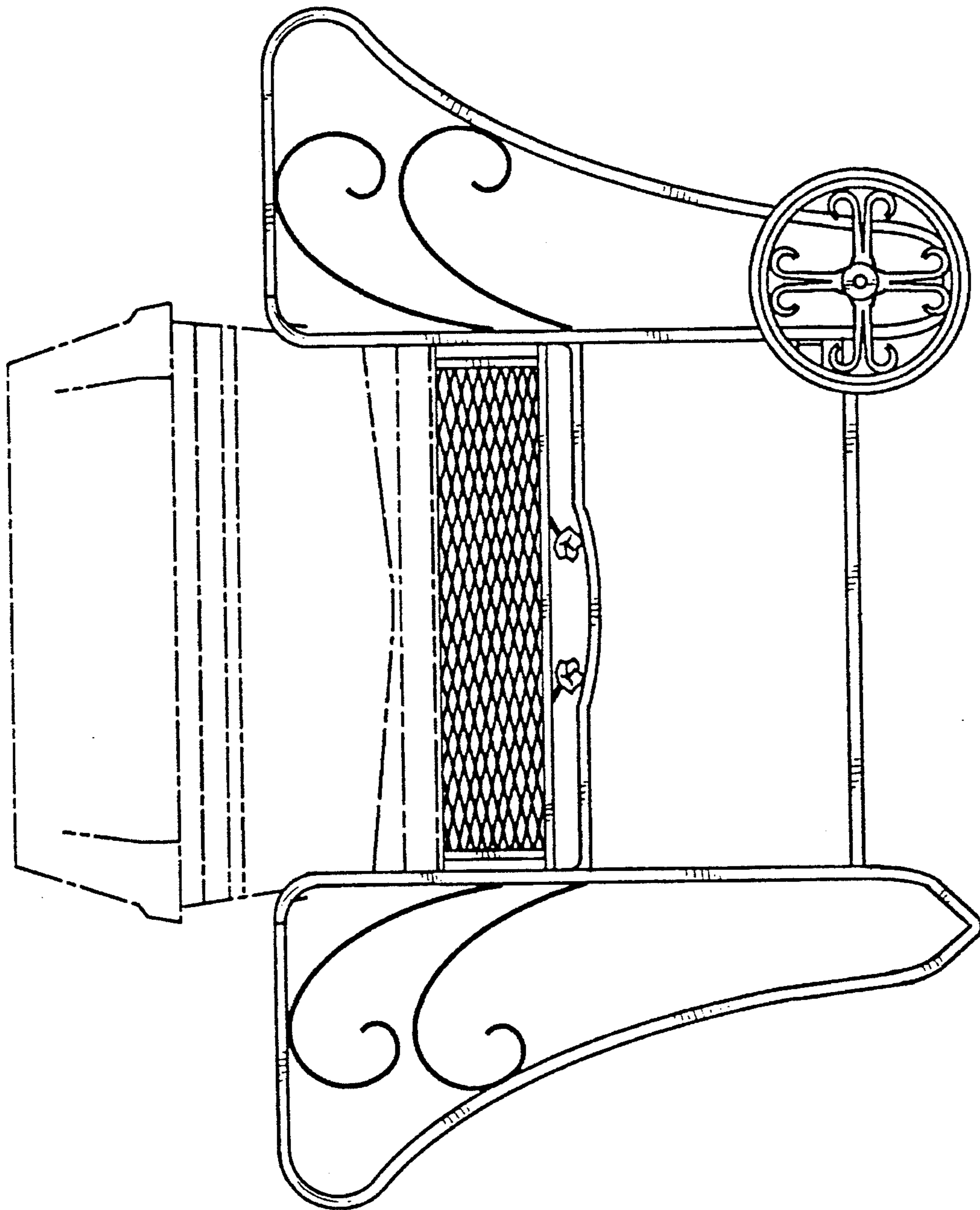


FIG. 4

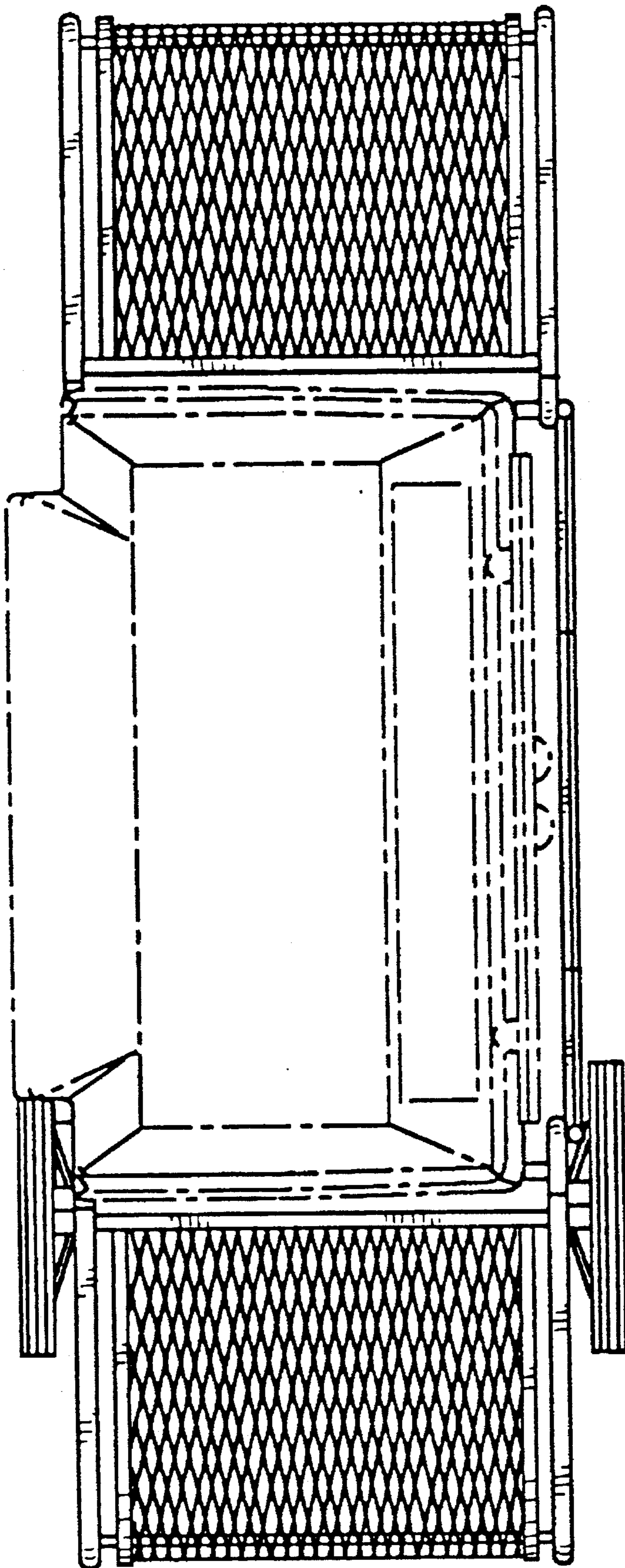


FIG. 5

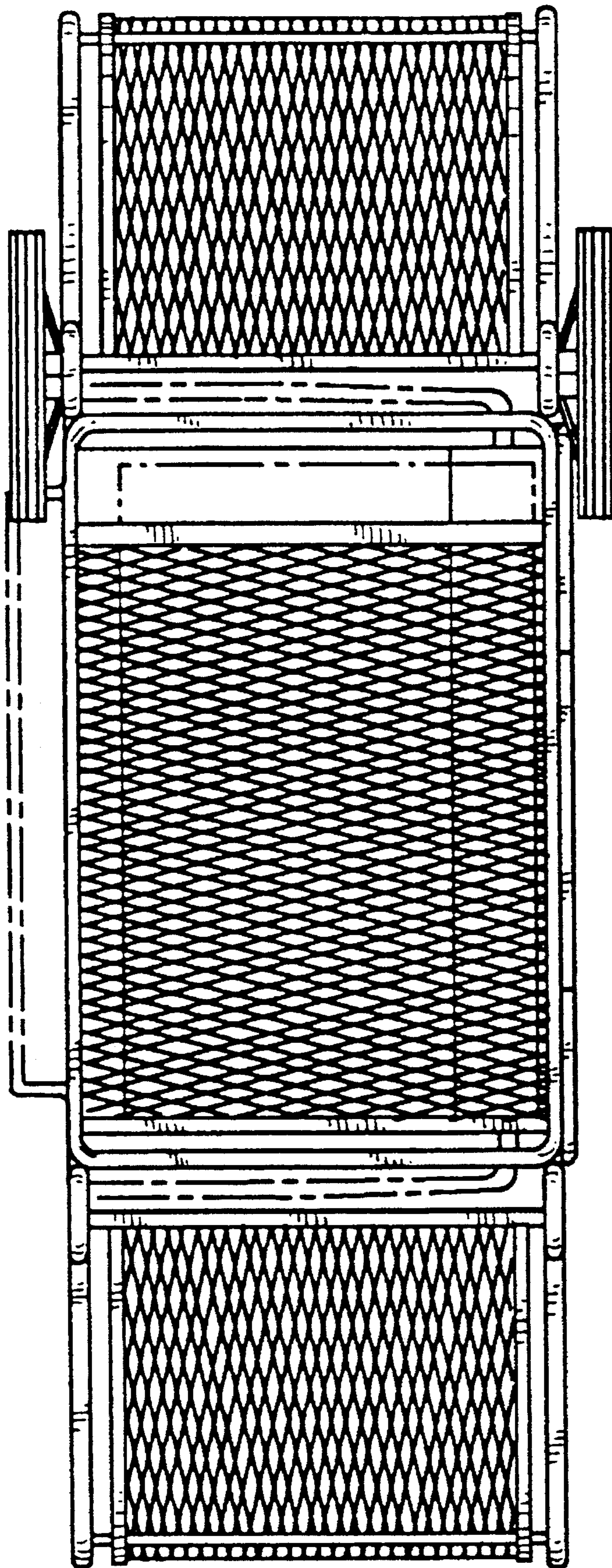


FIG. 6

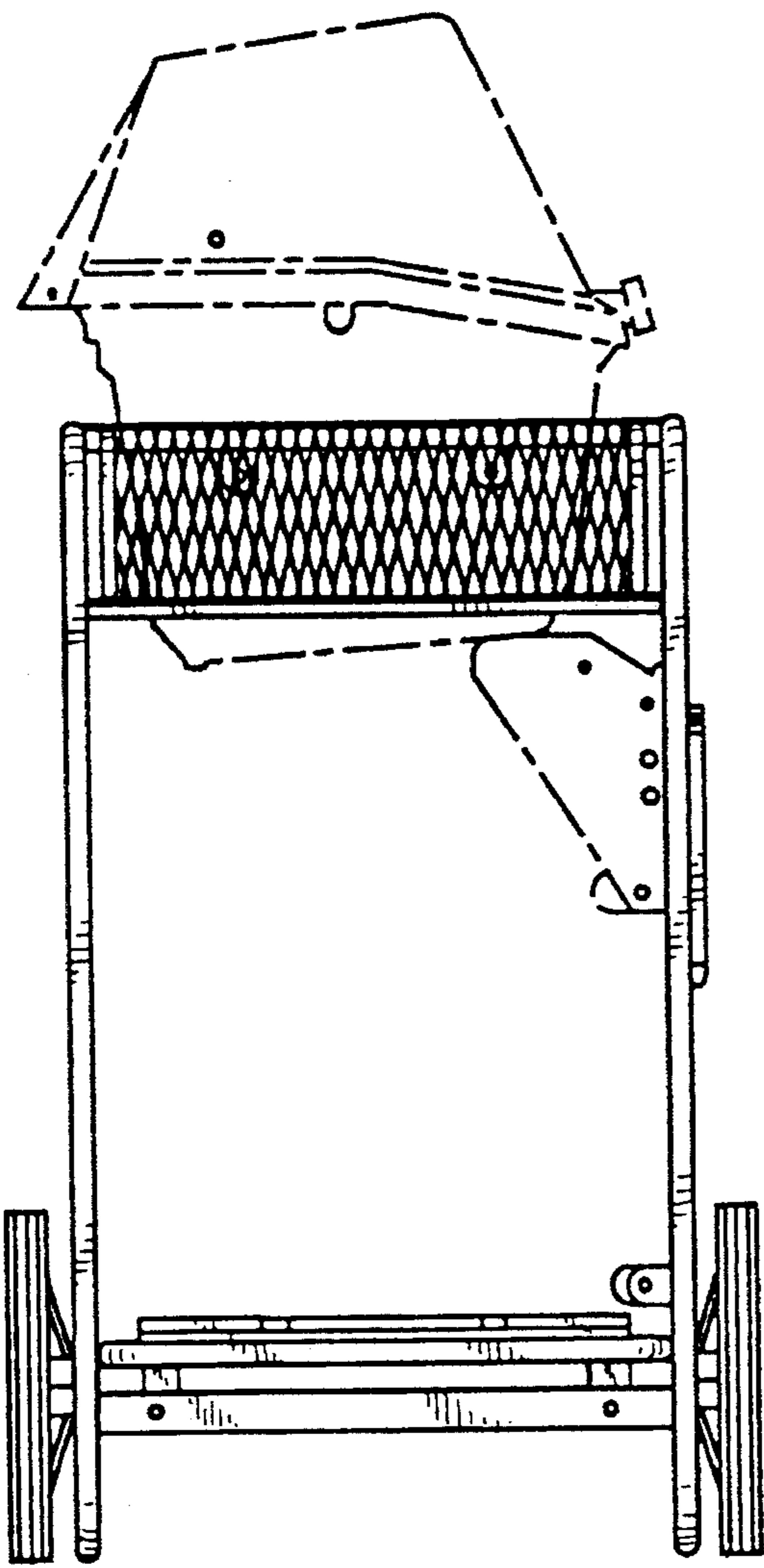


FIG. 7

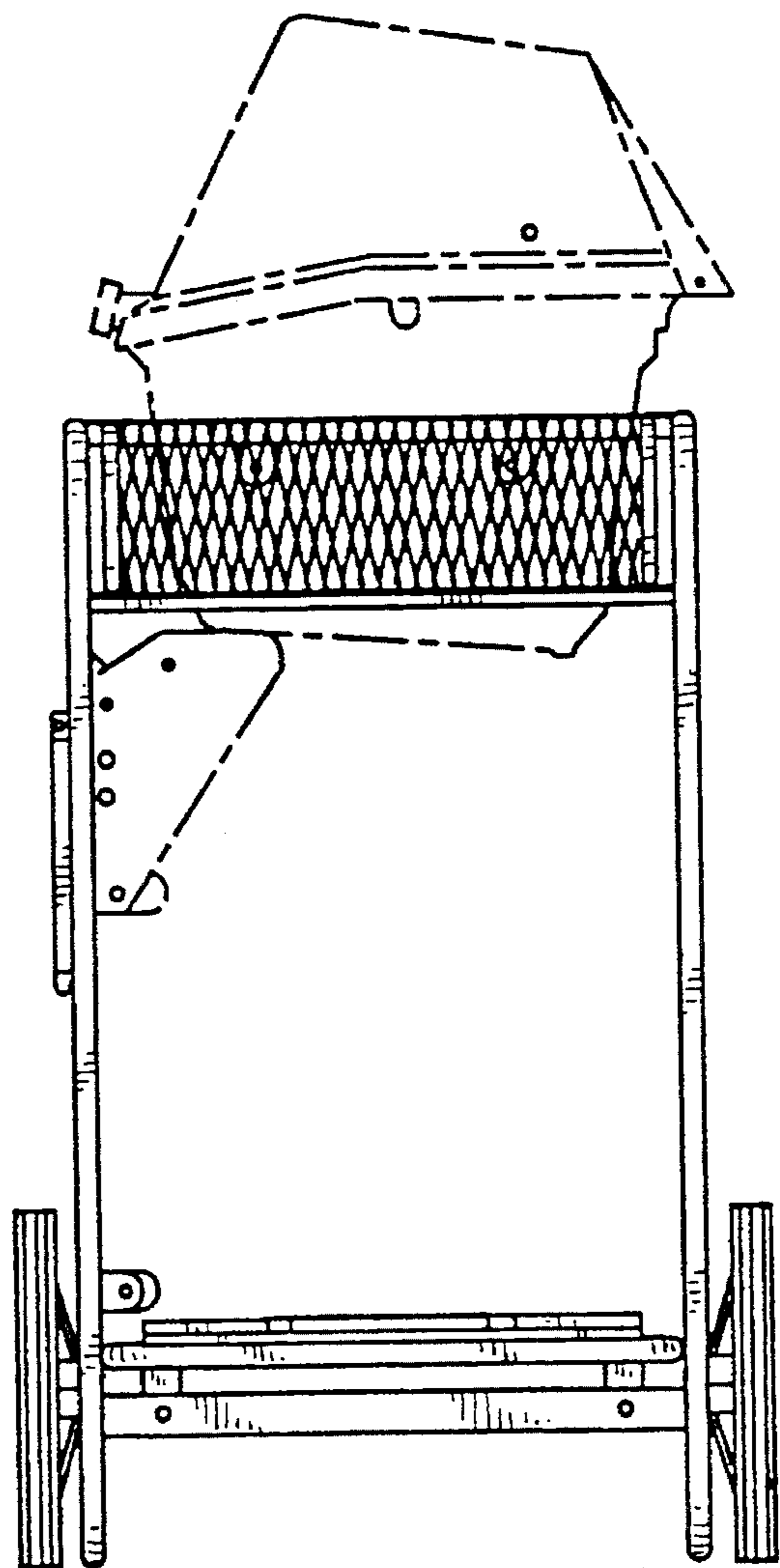


FIG. 8