



US00D363638S

United States Patent [19] Feer

[11] Patent Number: **Des. 363,638**

[45] Date of Patent: ****Oct. 31, 1995**

[54] **FOOD STORAGE CONTAINER LID**

[75] Inventor: **David L. Feer**, Andover, Mass.

[73] Assignee: **Rubbermaid Incorporated**, Wooster, Ohio

[**] Term: **14 Years**

[21] Appl. No.: **26,919**

[22] Filed: **Aug. 9, 1994**

[52] U.S. Cl. **D7/391**

[58] Field of Search D7/391, 392.1,
D7/538-542; D9/434, 435, 438, 443; 220/270,
306, 307, 352

[56] **References Cited**

U.S. PATENT DOCUMENTS

D. 228,867	10/1973	Mallon .	
D. 229,737	1/1974	Taylor .	
D. 230,342	2/1974	Mallon .	
D. 230,343	2/1974	Mallon .	
D. 230,344	2/1974	Taylor .	
D. 230,556	3/1974	Mallon .	
D. 318,015	7/1991	DeCoster et al.	D7/391 X
D. 329,572	9/1992	Krupa	D7/542
D. 336,017	6/1993	Smith et al.	D7/629
D. 350,880	9/1994	Van Valkenburg et al.	D7/629
D. 351,090	10/1994	Narsutis	D7/629
D. 352,423	11/1994	Laib	D7/538
3,526,334	9/1970	Ashton et al.	220/23.83
3,982,651	9/1976	Braun et al.	220/4
4,471,880	9/1984	Taylor et al.	220/306
4,493,432	1/1985	Smith	220/270
4,795,056	1/1989	Meyers	220/306
4,809,868	3/1989	Pomroy	220/260
5,356,026	10/1994	Andress et al.	220/306

OTHER PUBLICATIONS

Pp. 6, 7, 12, 13, 14, 17 and 22, Food storage containers; Tupperware Home Parties, Orlando, Fla., Publication date 1992.

Catalog page, Food storage containers; Anchor Hocking

Plastics, P.O. Box 64610, St. Paul, Minn. 55614. Publication date Jan., 1992.

Pp. 12 and 13, Food storage containers; Tucker Housewares, a Mobil Company, 25 Tucker Drive, Leominster, Mass., 01453. Publication date 1993.

Pp. 20 and 23, Food storage containers, Dupol-Rubbermaid GmbH, An der Trift 63, D-6072 Dreieich, Germany. Publication date 1989.

P. 12, Food storage containers; Curver b.v., Takkebijsters 75, Postbus 6810, 4802 HV Breda, The Netherlands. Publication date 1992.

Sell sheet, Food storage containers; Rubbermaid Commercial Products Inc., 3124 Valley Avenue, Winchester, Va., 22601. Publication date 1989.

Pp. 12 and 13, Food storage containers; Rubbermaid Incorporated, 1147 Akron Road, Wooster, Ohio 44691. Publication date 1986.

Catalog page, Microwave containers; Rubbermaid Incorporated, 1147 Akron Road, Wooster, Ohio 44691. Publication date 1992.

Catalog page, Food storage containers; Rubbermaid Incorporated, 1147 Akron Road, Wooster, Ohio 44691. Publication date 1991.

Primary Examiner—Terry A. Wallace

Attorney, Agent, or Firm—Richard B. O'Planick; Lisa B. Riedesel

[57] **CLAIM**

The ornamental design for a food storage container lid, as shown and described.

DESCRIPTION

FIG. 1 is a top right front perspective view of a food storage container lid showing my new design;

FIG. 2 is a top plan view thereof;

FIG. 3 is a bottom plan view thereof;

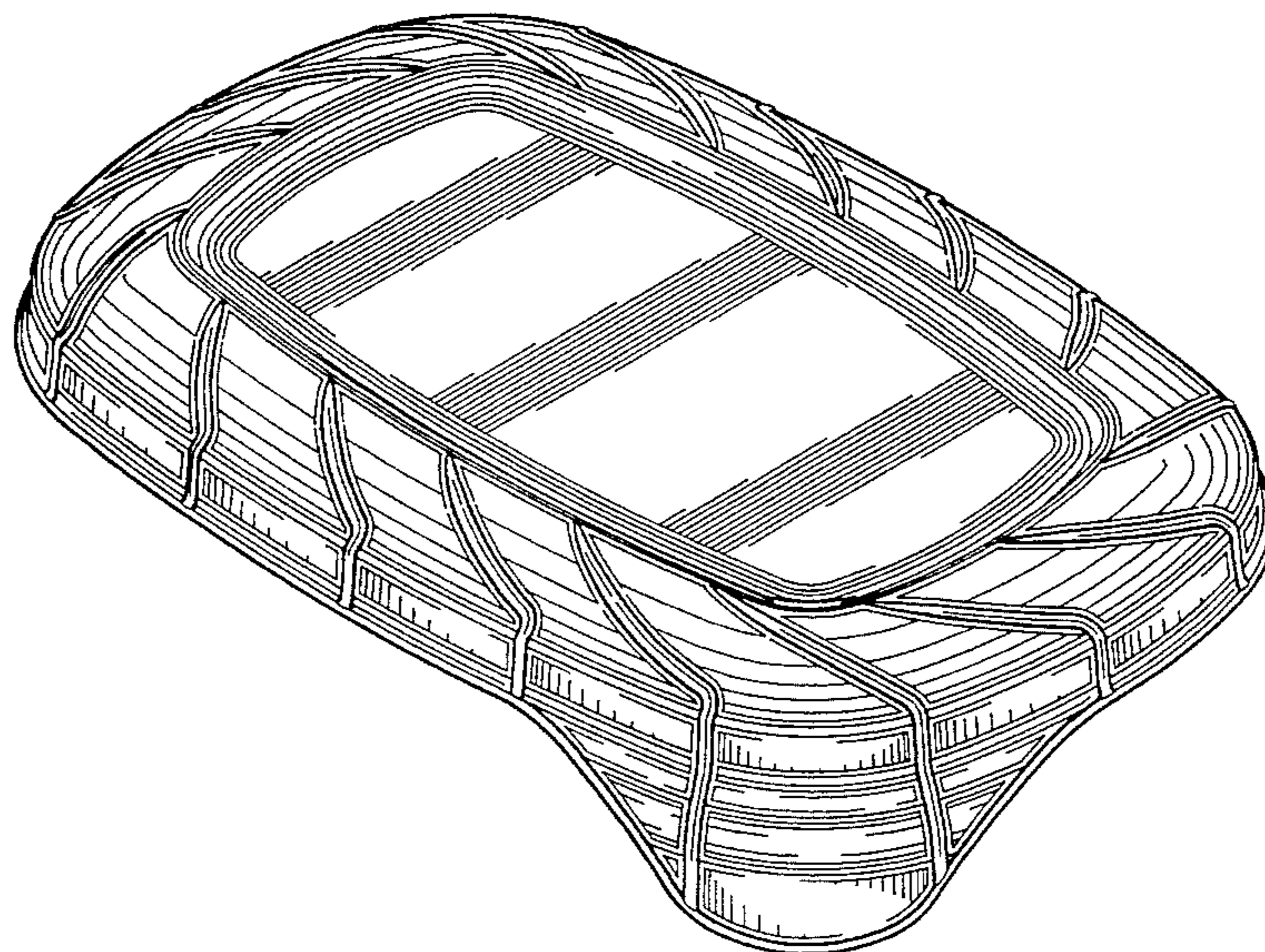
FIG. 4 is a front elevational view thereof;

FIG. 5 is a rear elevational view thereof;

FIG. 6 is a right side elevational view thereof; and,

FIG. 7 is a left side elevational view thereof.

1 Claim, 5 Drawing Sheets



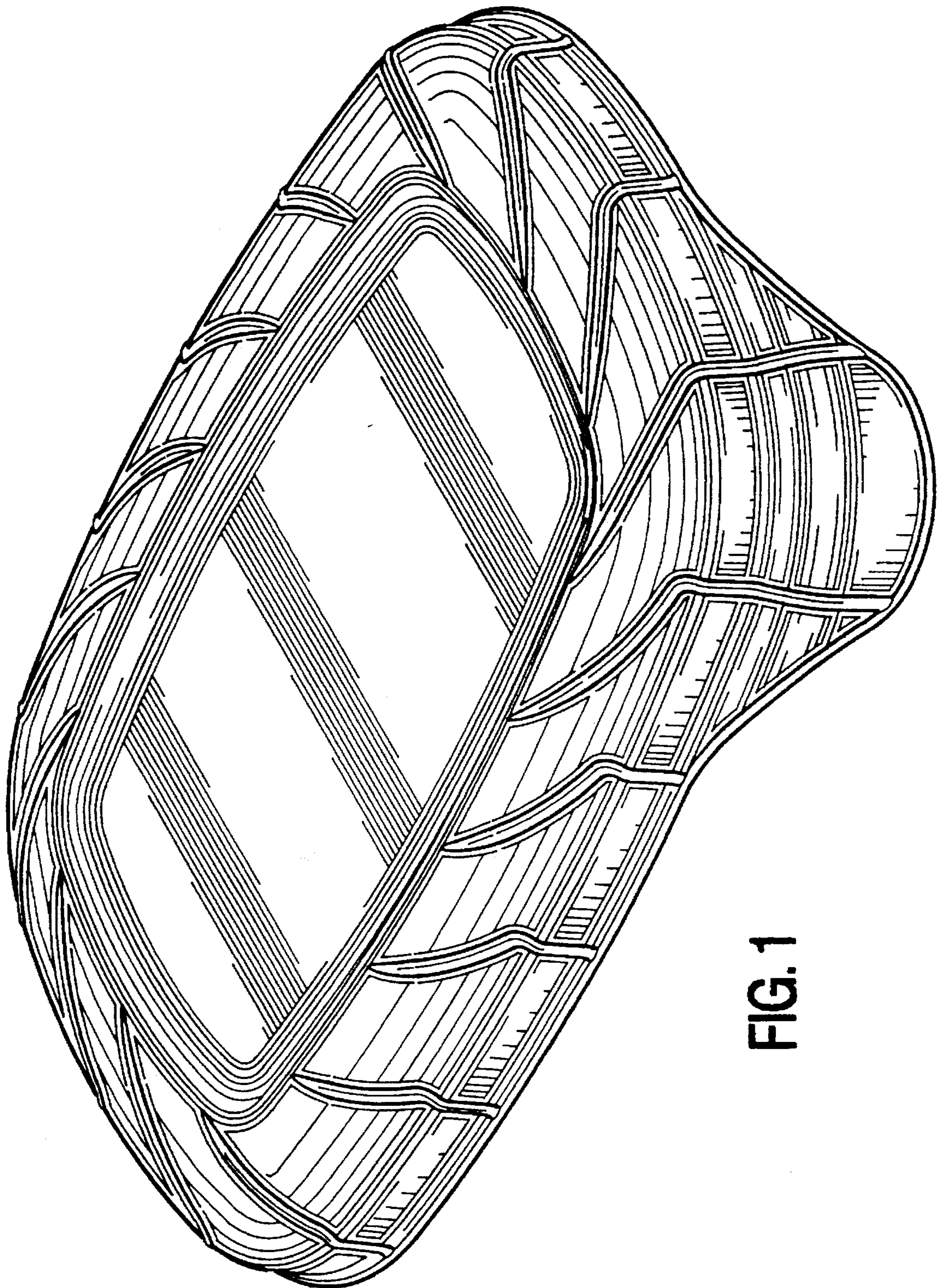


FIG. 1

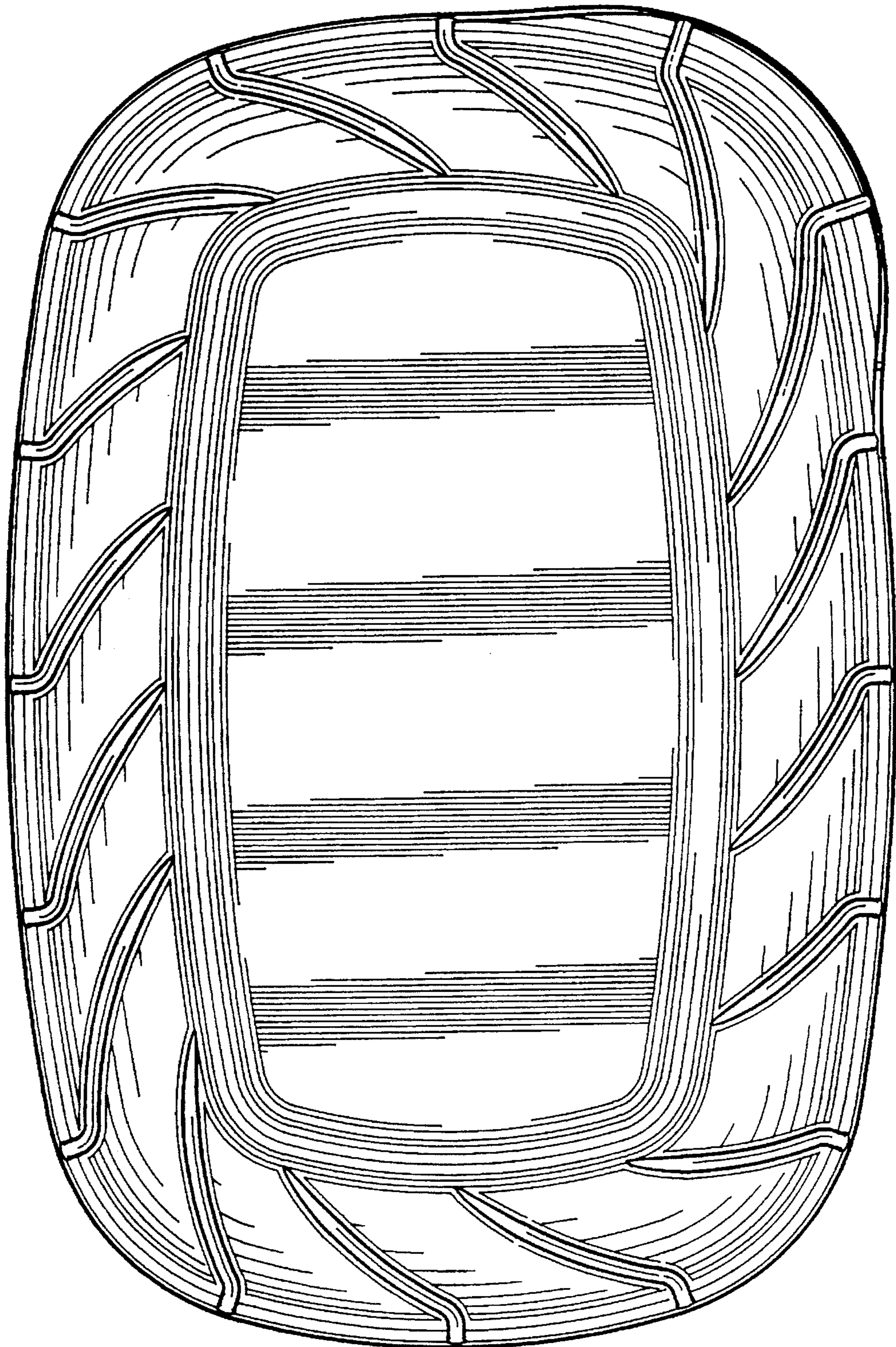


FIG. 2

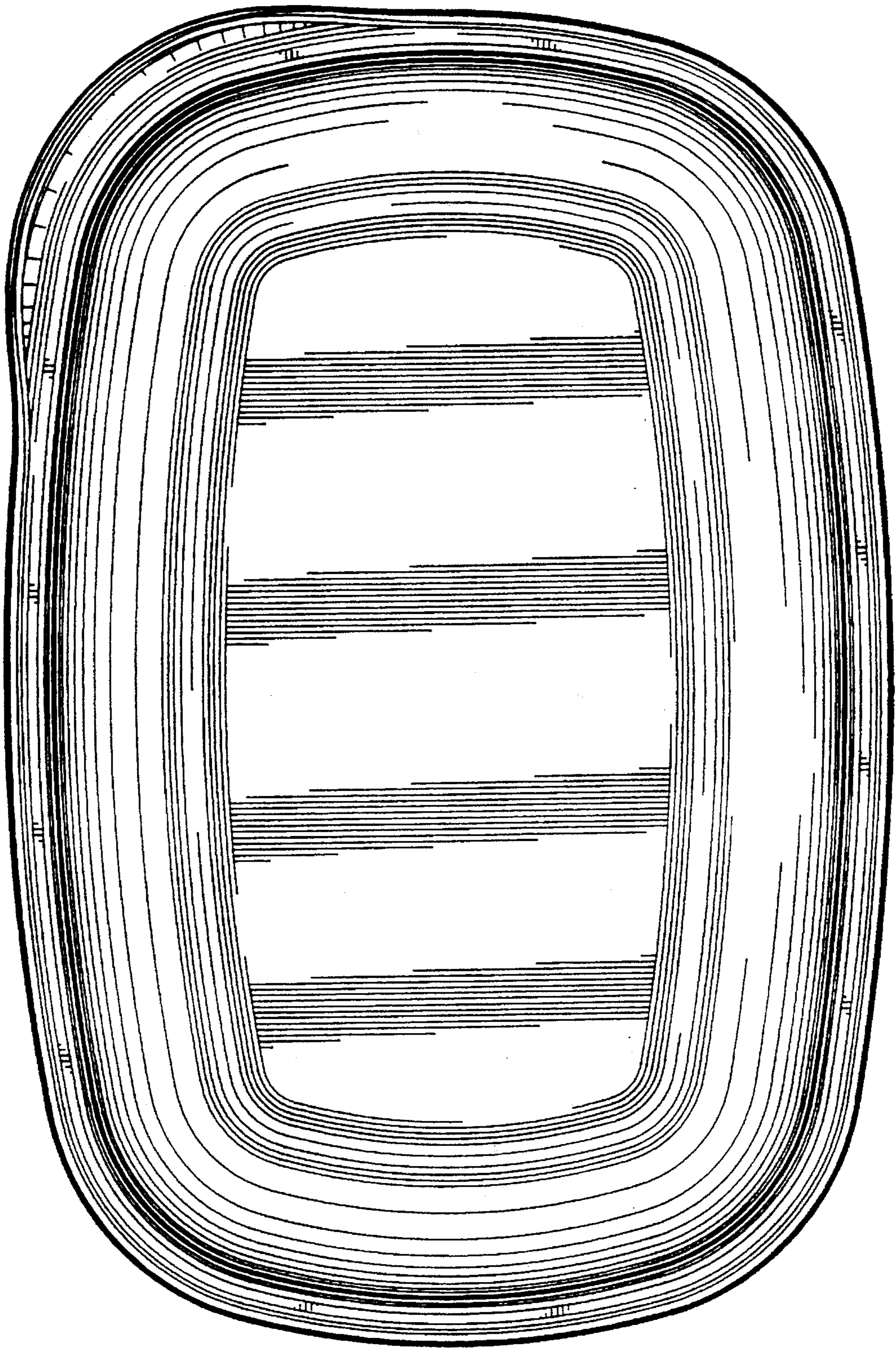


FIG. 3

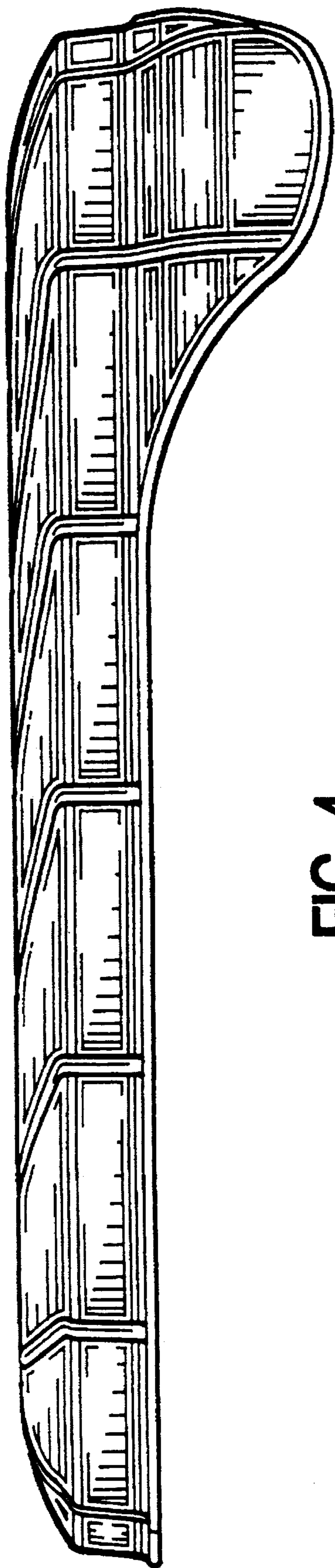


FIG. 4

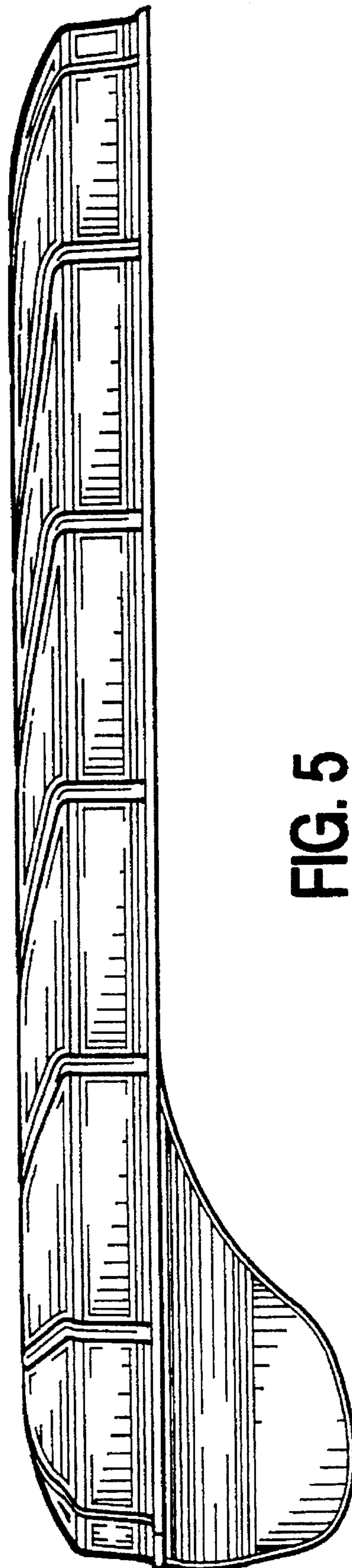


FIG. 5

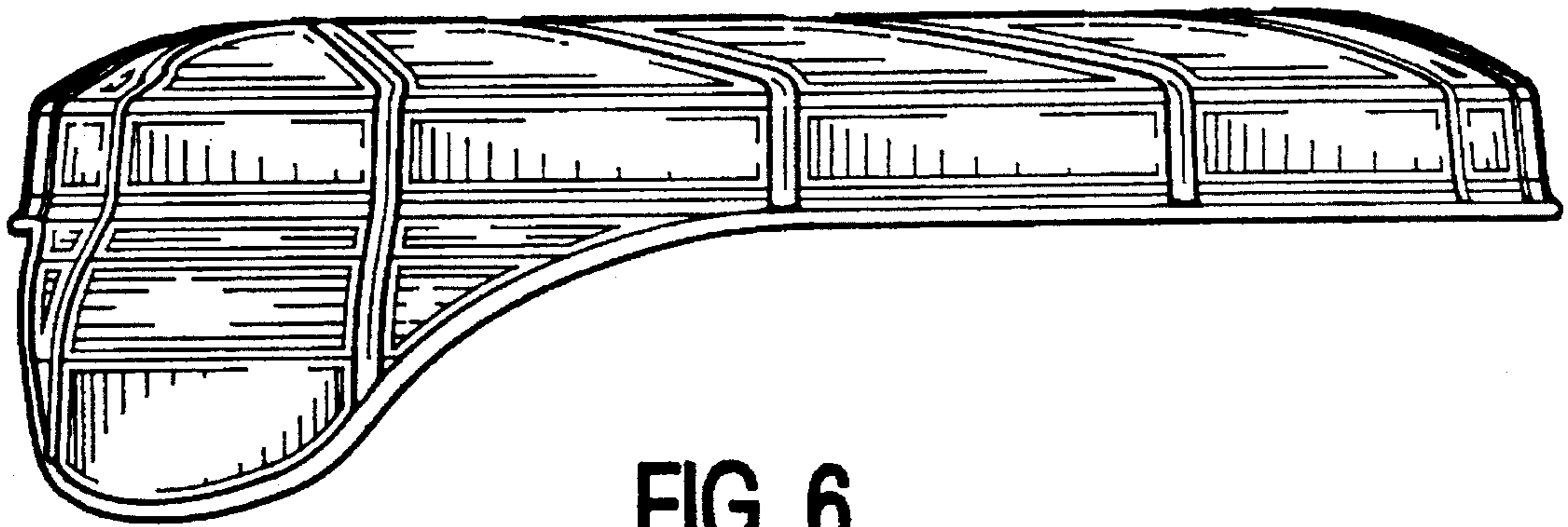


FIG. 6

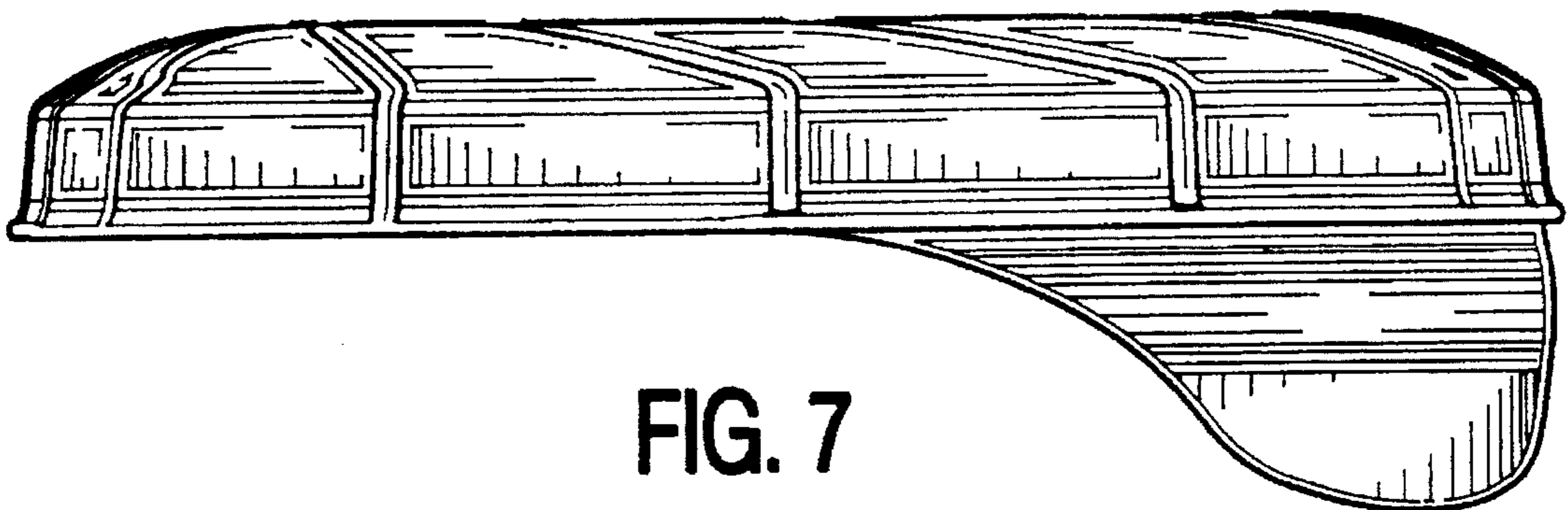


FIG. 7