



US00D363637S

United States Patent [19]
Chang

[11] **Patent Number: Des. 363,637**

[45] **Date of Patent: **Oct. 31, 1995**

[54] **AIR FRYER**

[76] Inventor: **Li-Hsia Chang**, No. 16-1, Lane 742,
San Feng Rd., Feng Yuan City,
Taichung Hsein, Taiwan

[**] Term: **14 Years**

[21] Appl. No.: **3,735**

[22] Filed: **Jan. 19, 1993**

[52] U.S. Cl. **D7/358; D7/323**

[58] Field of Search **D7/323, 350, 352,
D7/358, 354; 99/324, 330, 339, 340; 126/275 E**

[56] **References Cited**

U.S. PATENT DOCUMENTS

D. 338,369	8/1993	Brefka	D7/352
4,817,509	4/1989	Erickson	99/330
5,165,328	11/1992	Erickson et al.	D7/323 X
5,329,919	7/1994	Chang	99/339 X

Primary Examiner—Alan P. Douglas
Assistant Examiner—Caron D. Veyner
Attorney, Agent, or Firm—Bacon & Thomas

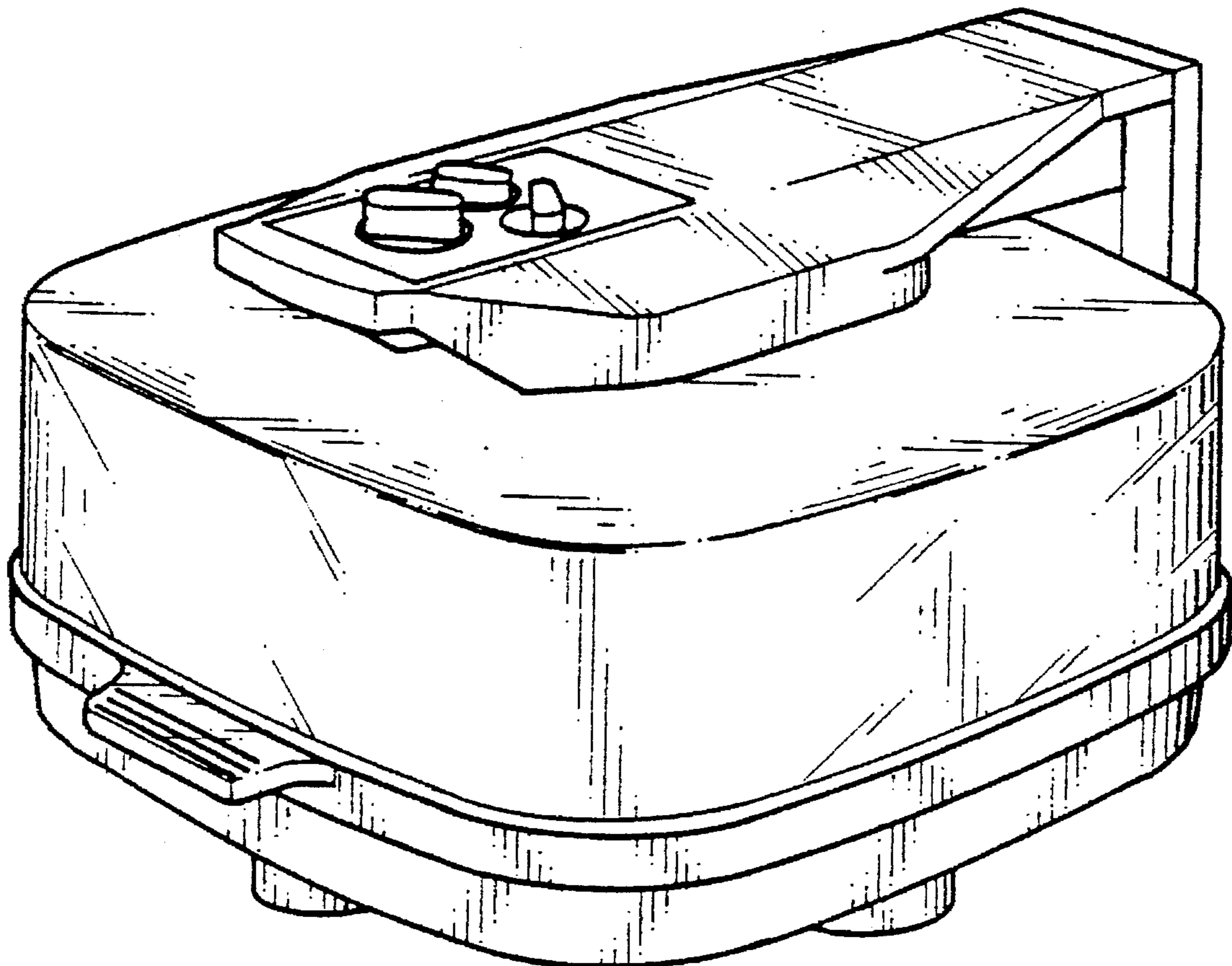
[57] **CLAIM**

The ornamental design for an air fryer, as shown and described.

DESCRIPTION

FIG. 1 is a perspective view of an air fryer showing my new design;
FIG. 2 is a front elevational view thereof, the opposite end being a mirror image of that shown;
FIG. 3 is a top plan view thereof;
FIG. 4 is a bottom plan view thereof;
FIG. 5 is a left side elevational view thereof;
FIG. 6 is a right side elevational view thereof; and,
FIG. 7 is a perspective view showing the cover in the open position.

1 Claim, 4 Drawing Sheets



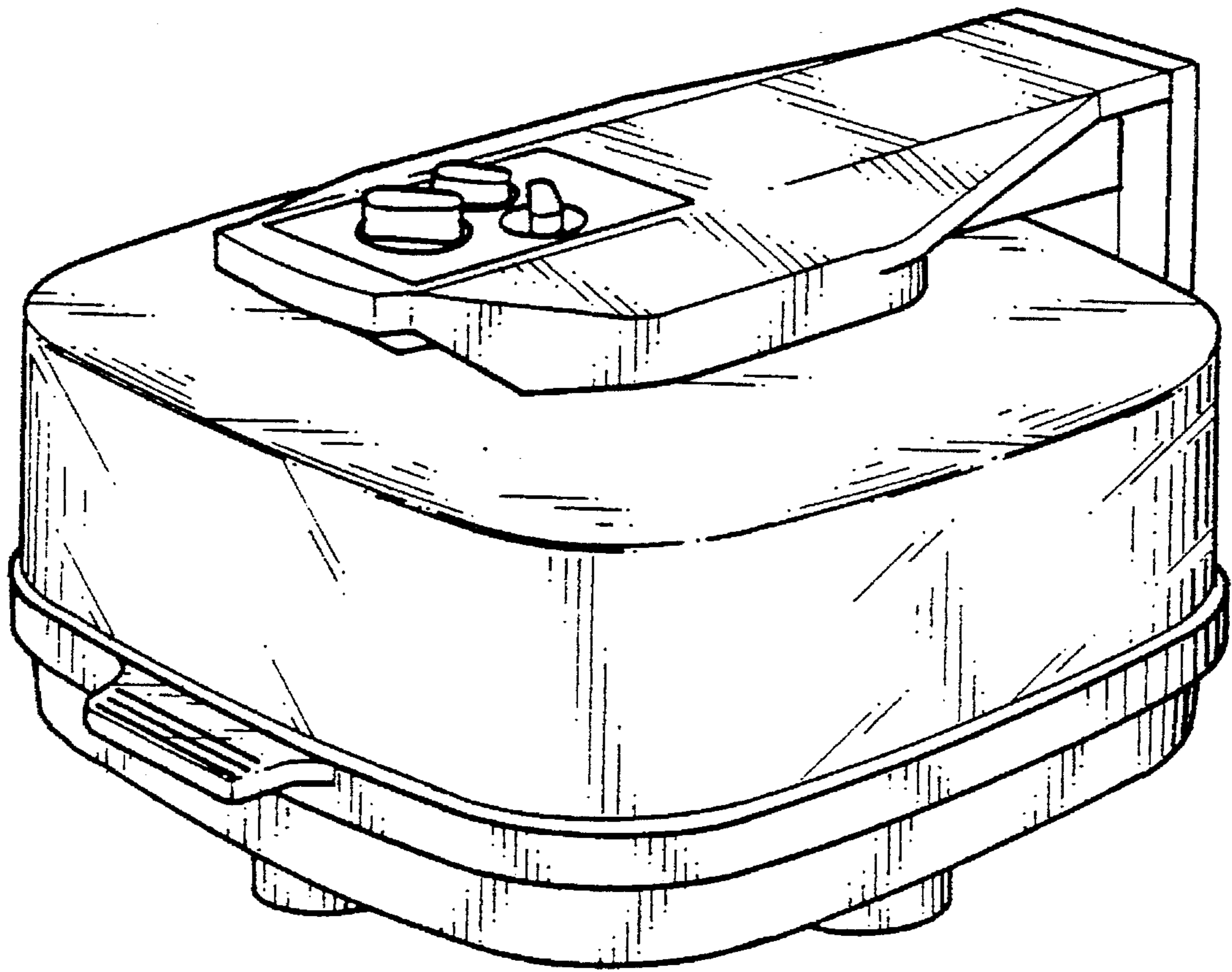


FIG. 1

FIG. 3

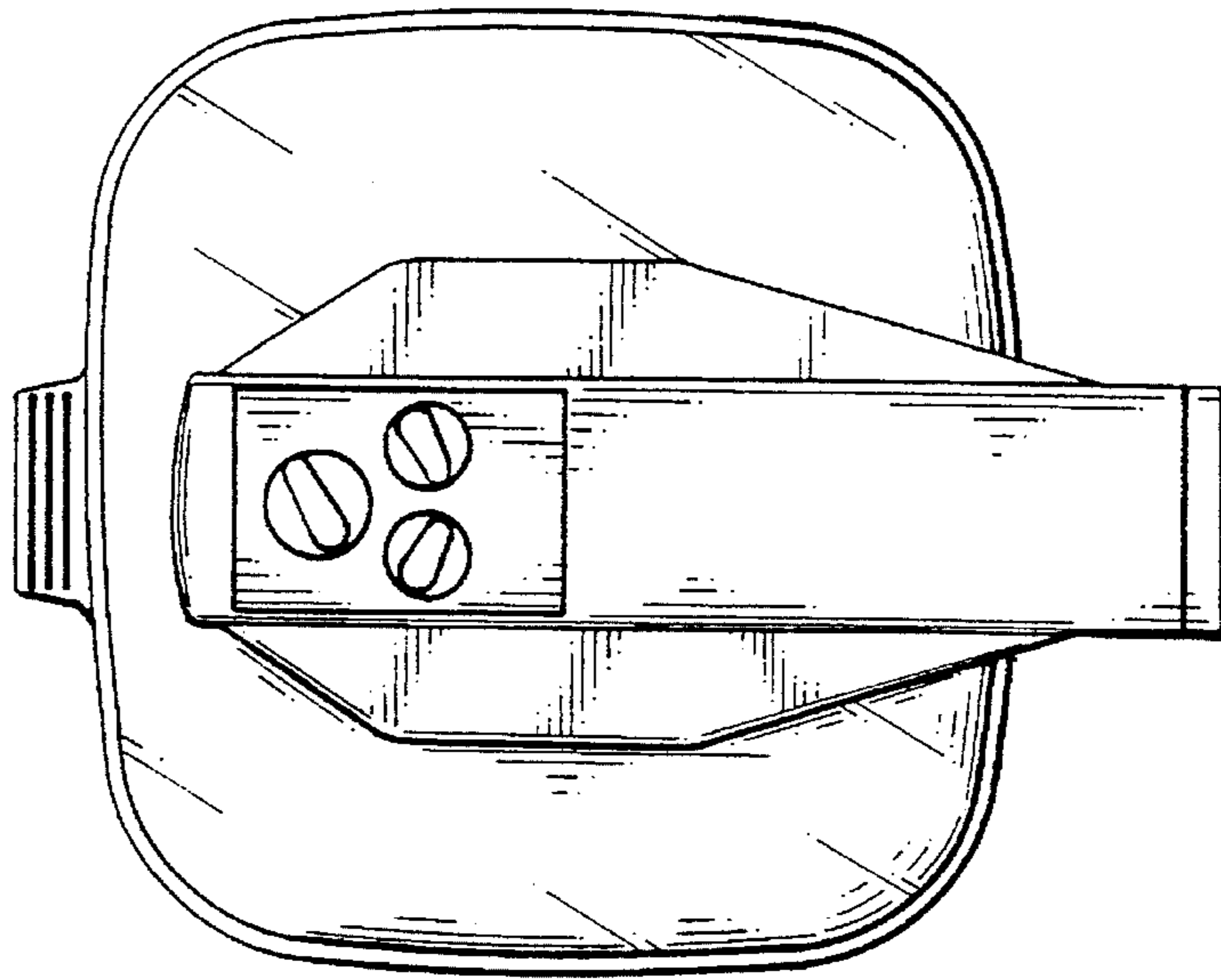


FIG. 2

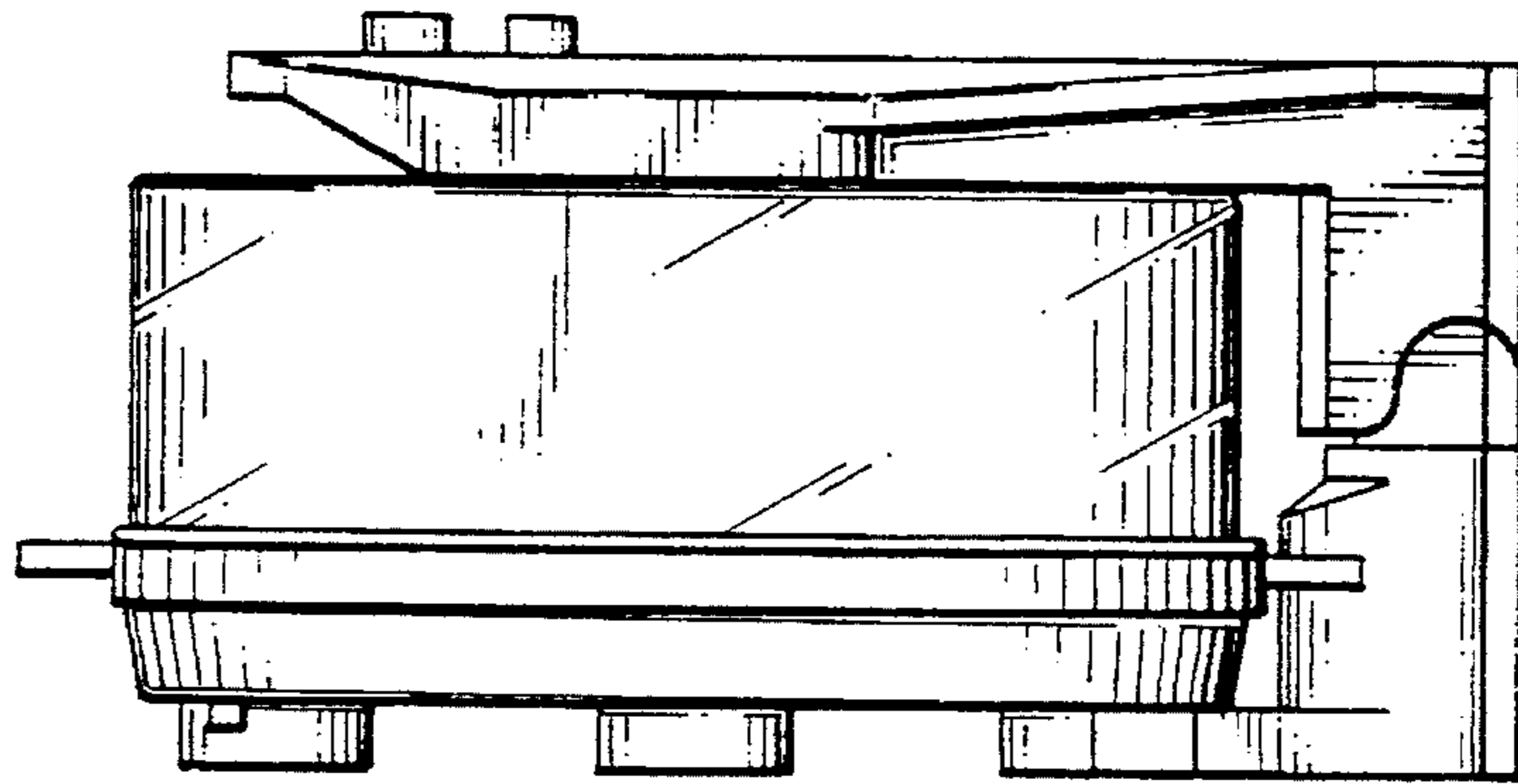
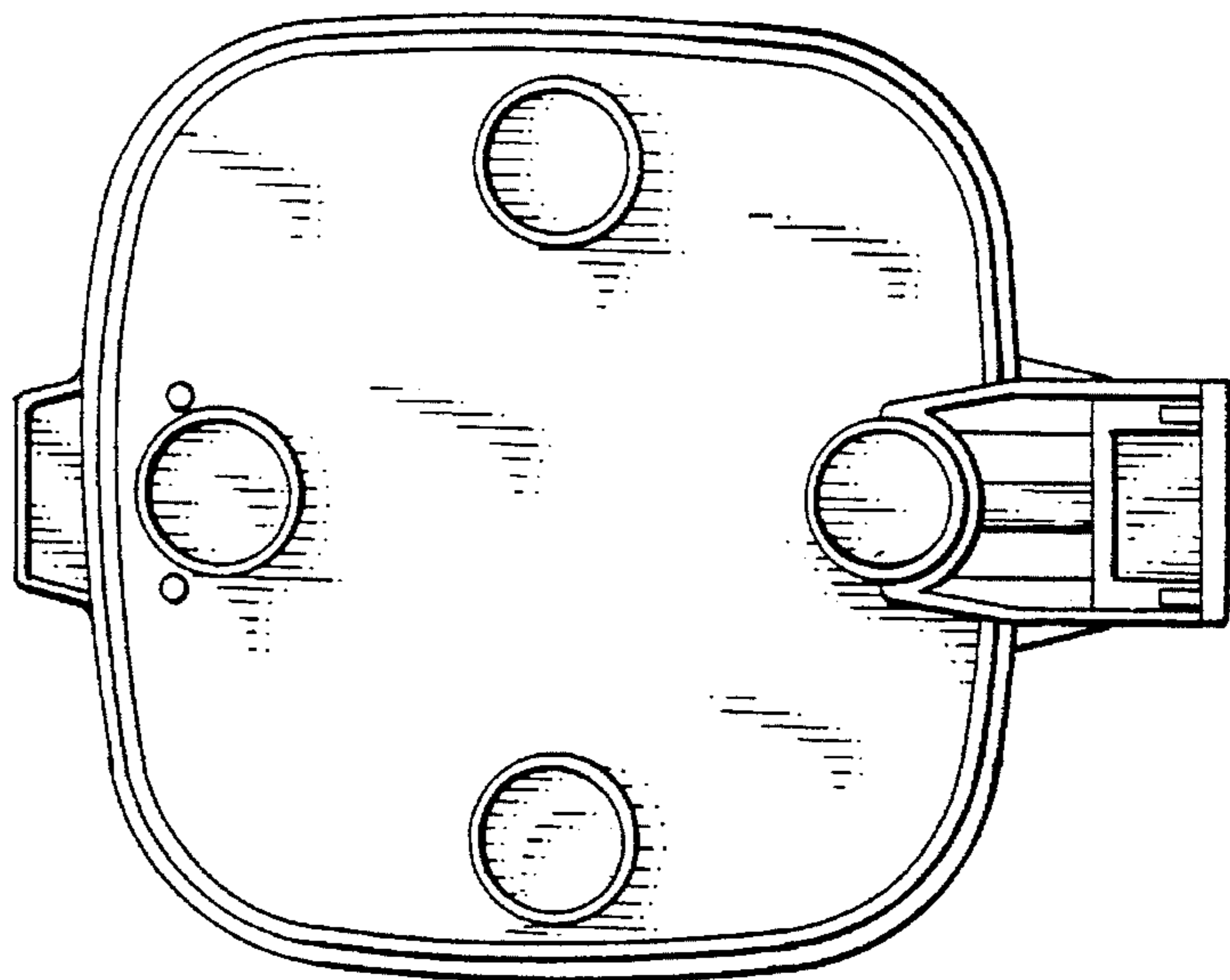


FIG. 4



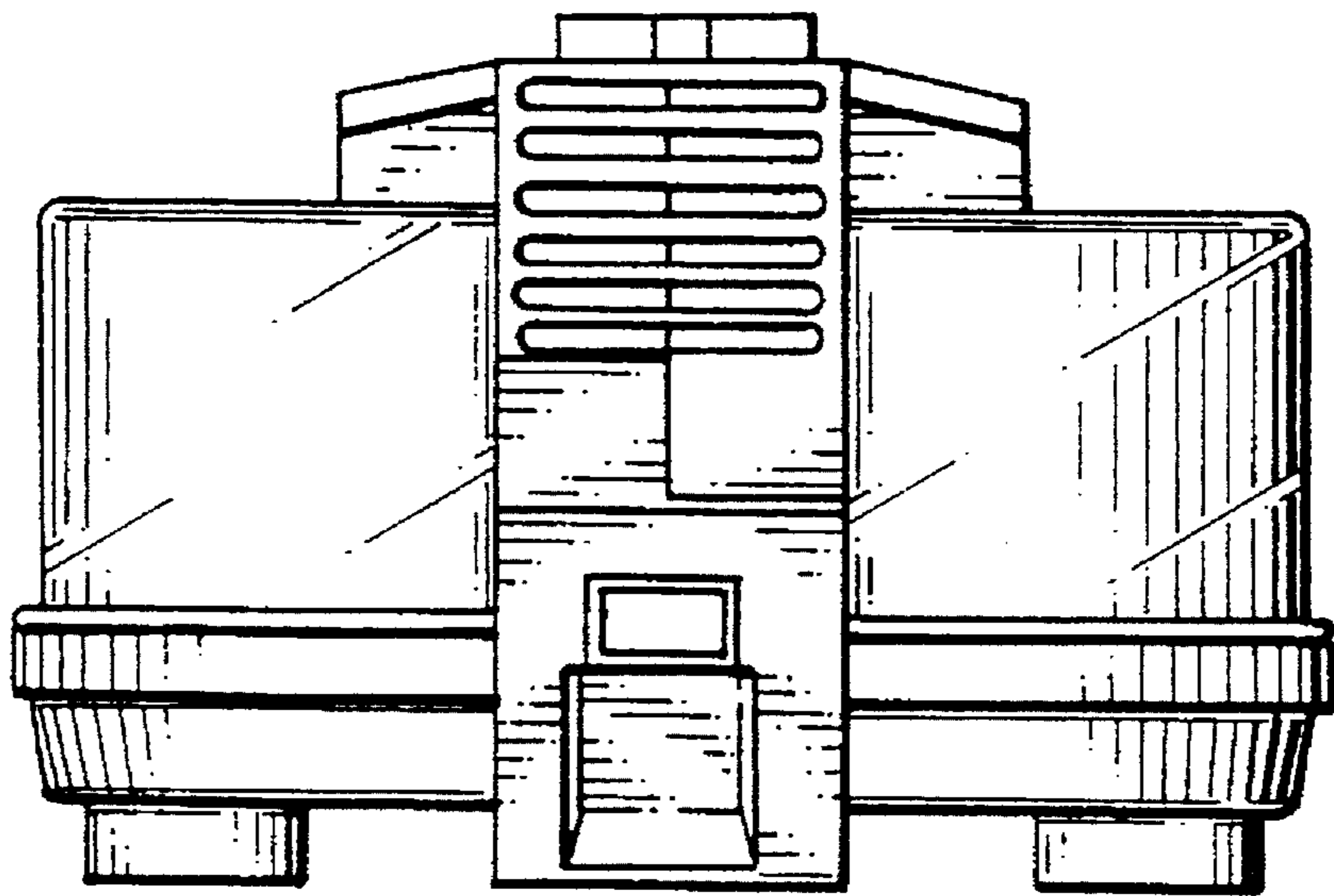


FIG. 5

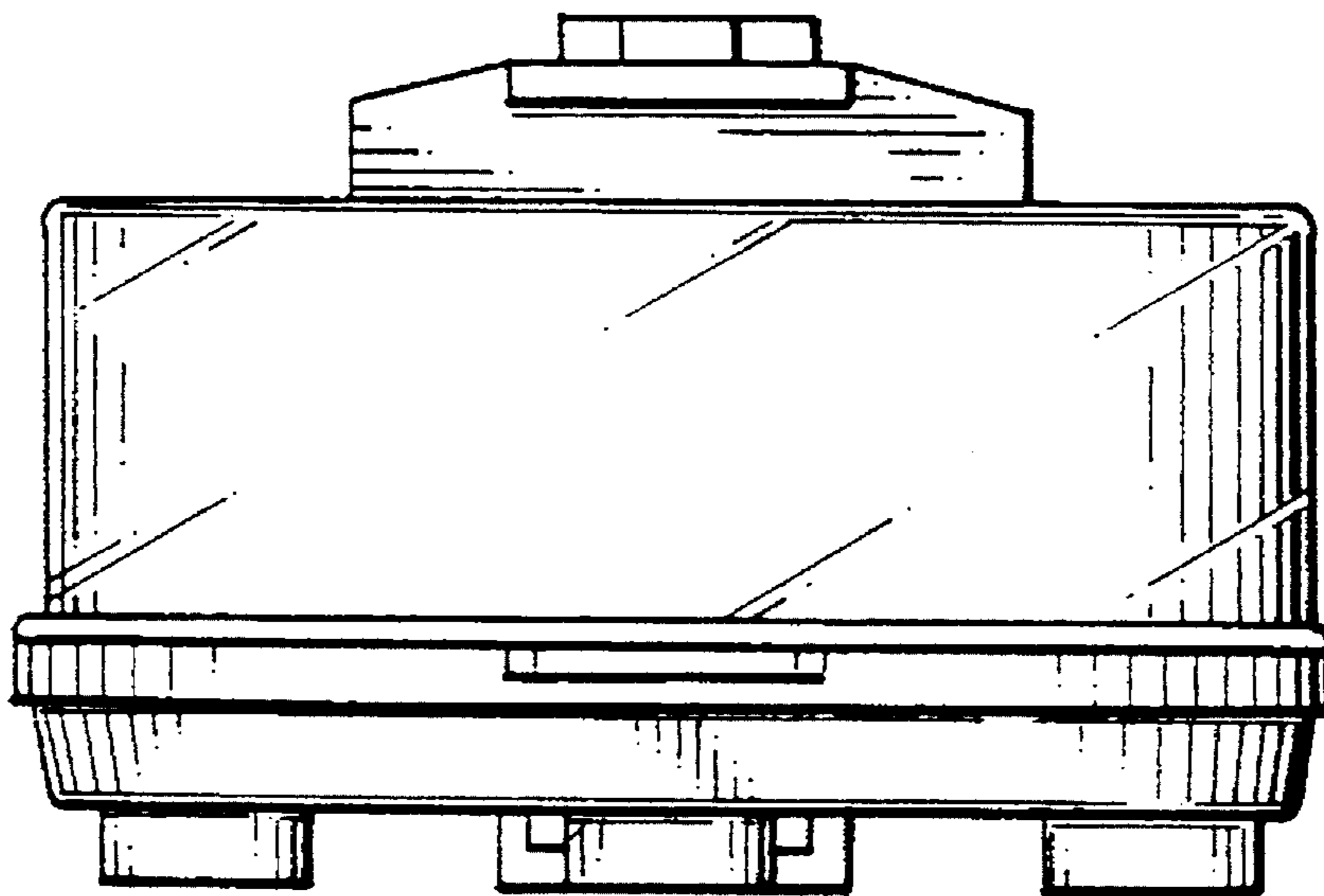


FIG. 6

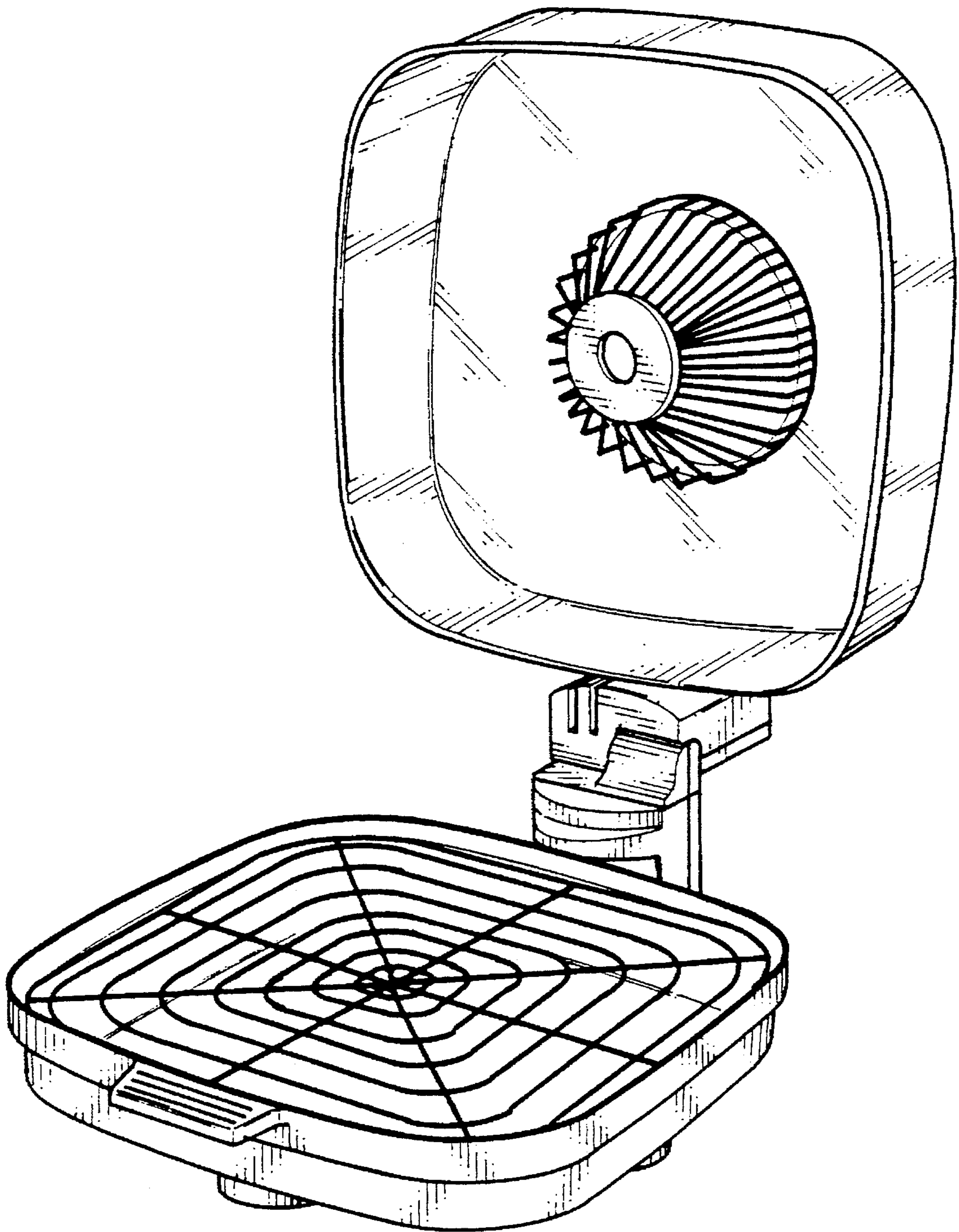


FIG. 7