



US00D363635S

# United States Patent [19]

[11] Patent Number: **Des. 363,635**

Cashin et al.

[45] Date of Patent: **\*\*Oct. 31, 1995**

[54] **VEGETABLE STEAMER**

D. 335,423 5/1993 Naft et al. .... D7/355 X  
D. 347,356 5/1994 Yim ..... D7/360

[75] Inventors: **Sally K. Cashin**, Wauwatosa, Wis.;  
**William C. Cesaroni**, Glenview, Ill.

*Primary Examiner*—Alan P. Douglas  
*Assistant Examiner*—Caron D. Veynar  
*Attorney, Agent, or Firm*—Jansson & Shupe, Ltd.

[73] Assignee: **The West Bend Company**, West Bend,  
Wis.

[57] **CLAIM**

[\*\*] Term: **14 Years**

The ornamental design for a vegetable steamer, as shown.

[21] Appl. No.: **11,683**

**DESCRIPTION**

[22] Filed: **Aug. 11, 1993**

[52] U.S. Cl. .... **D7/354; D7/323**

[58] Field of Search ..... **D7/323, 354-360;**  
**99/324, 325, 339, 395, 422, 425, 426**

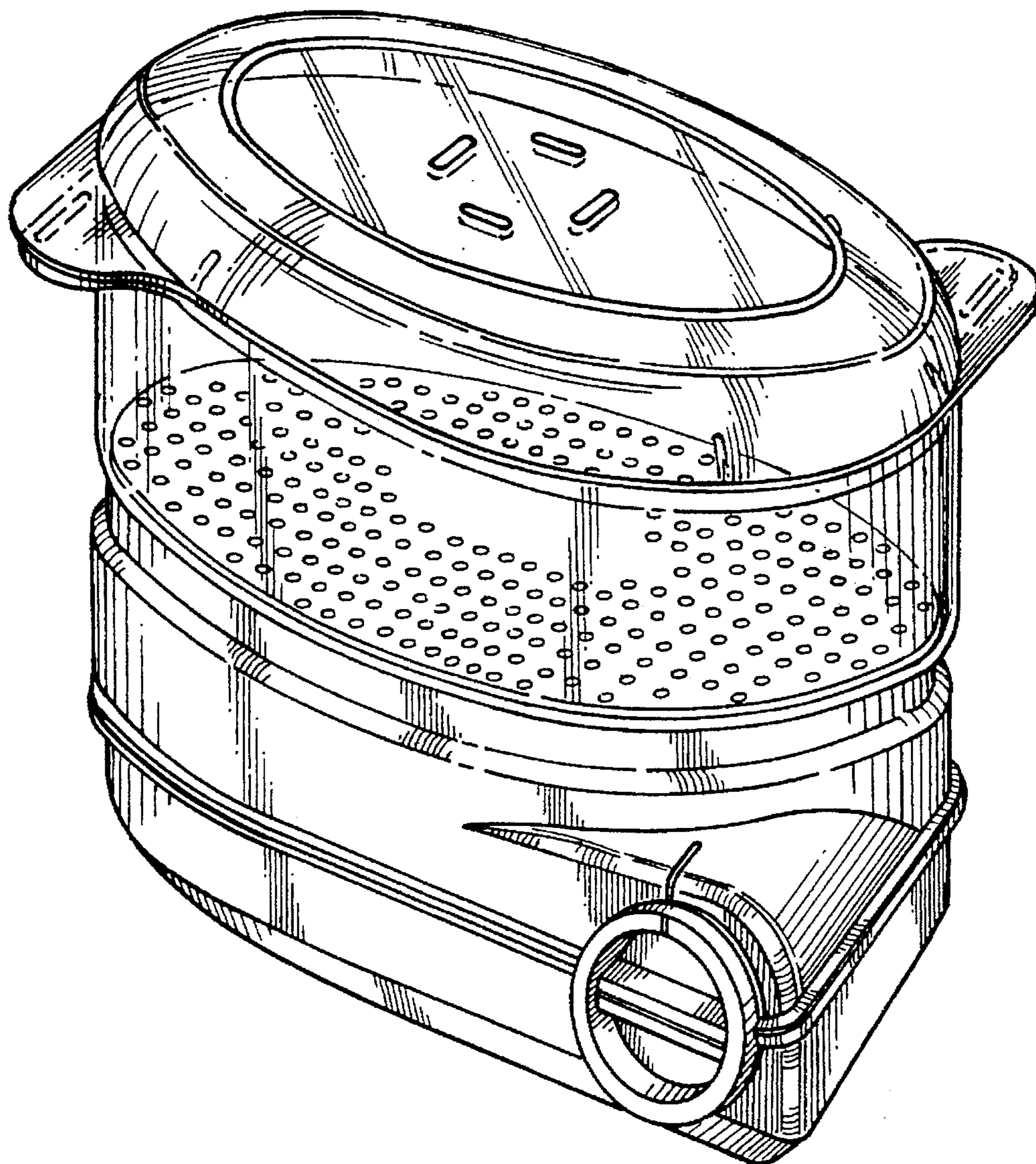
FIG. 1 is a front perspective view of a vegetable steamer embodying our new design;  
FIG. 2 is a top view thereof;  
FIG. 3 is a left side view thereof;  
FIG. 4 is a right side view thereof;  
FIG. 5 is a bottom view thereof; and,  
FIG. 6 is a rear view thereof.

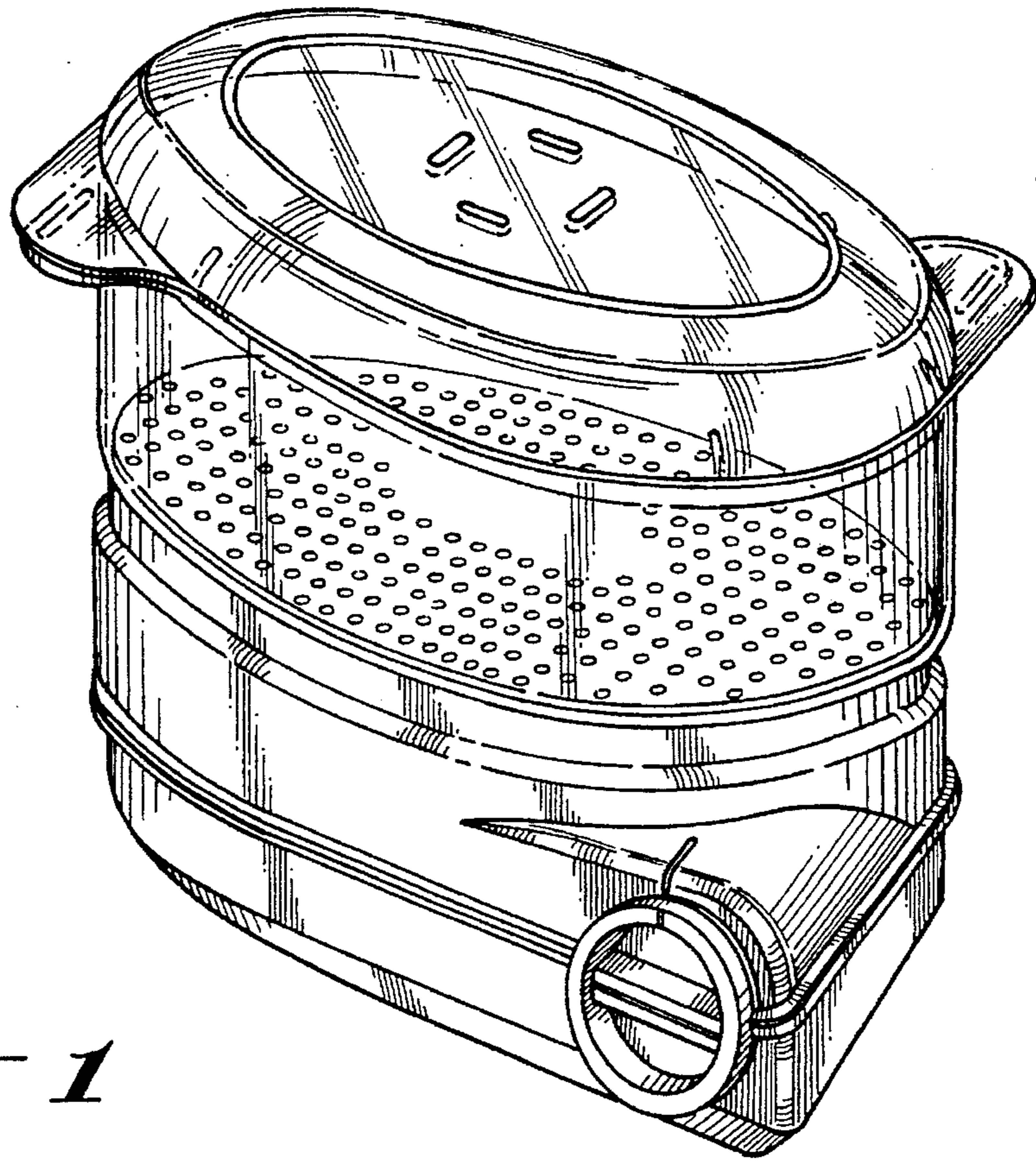
[56] **References Cited**

**U.S. PATENT DOCUMENTS**

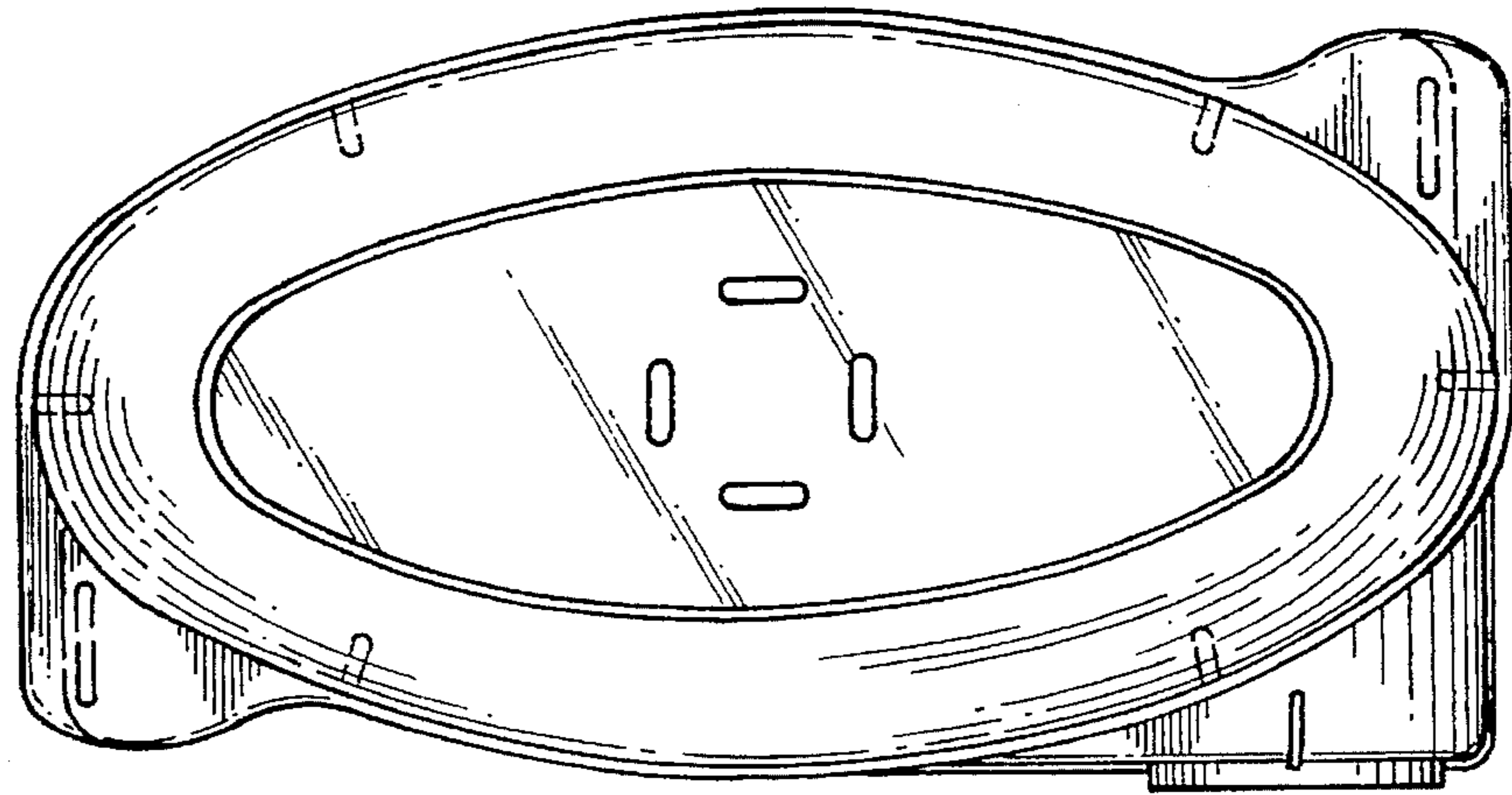
D. 279,956 8/1985 Eyck et al. .... D7/354

**1 Claim, 3 Drawing Sheets**

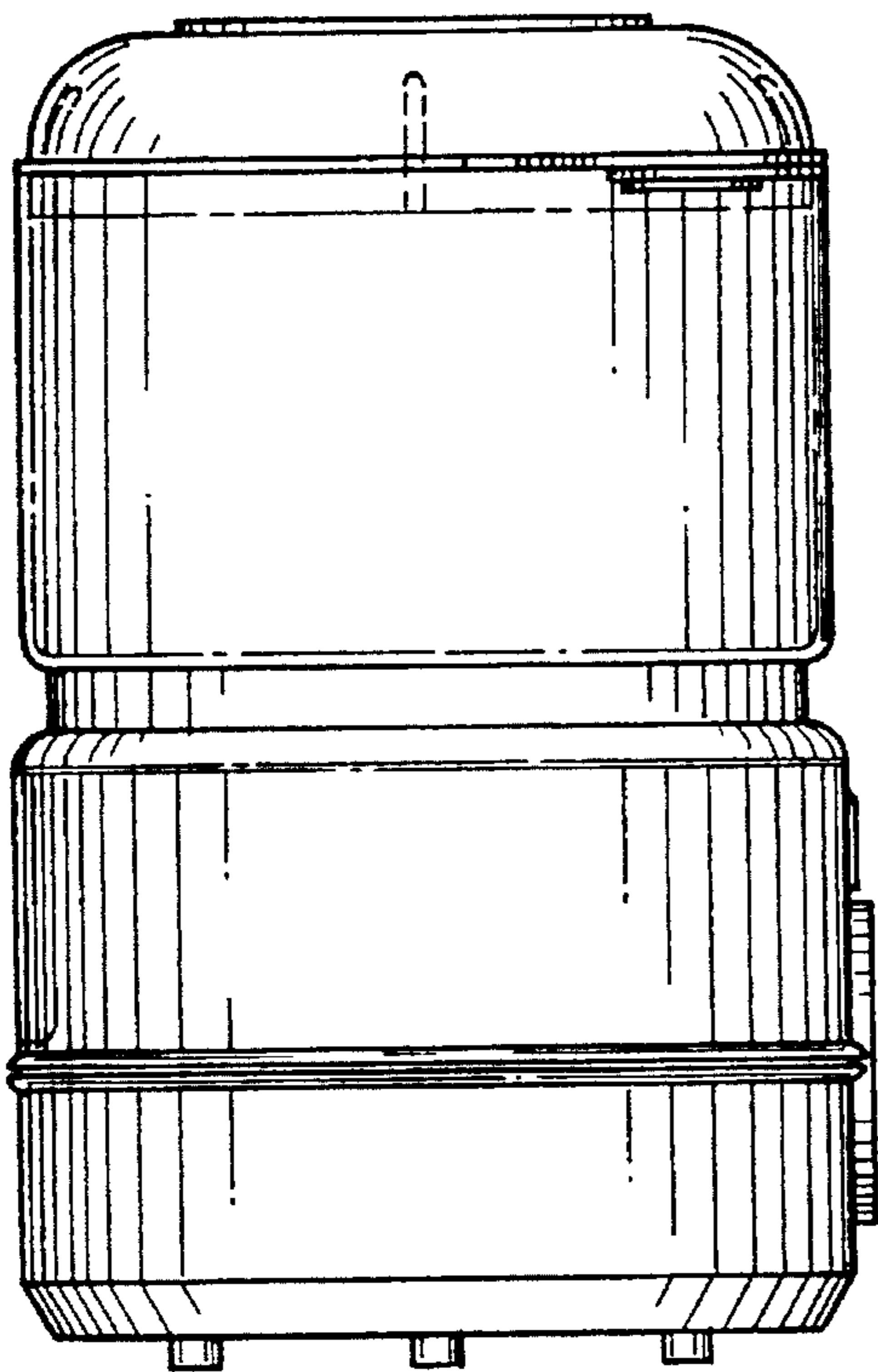




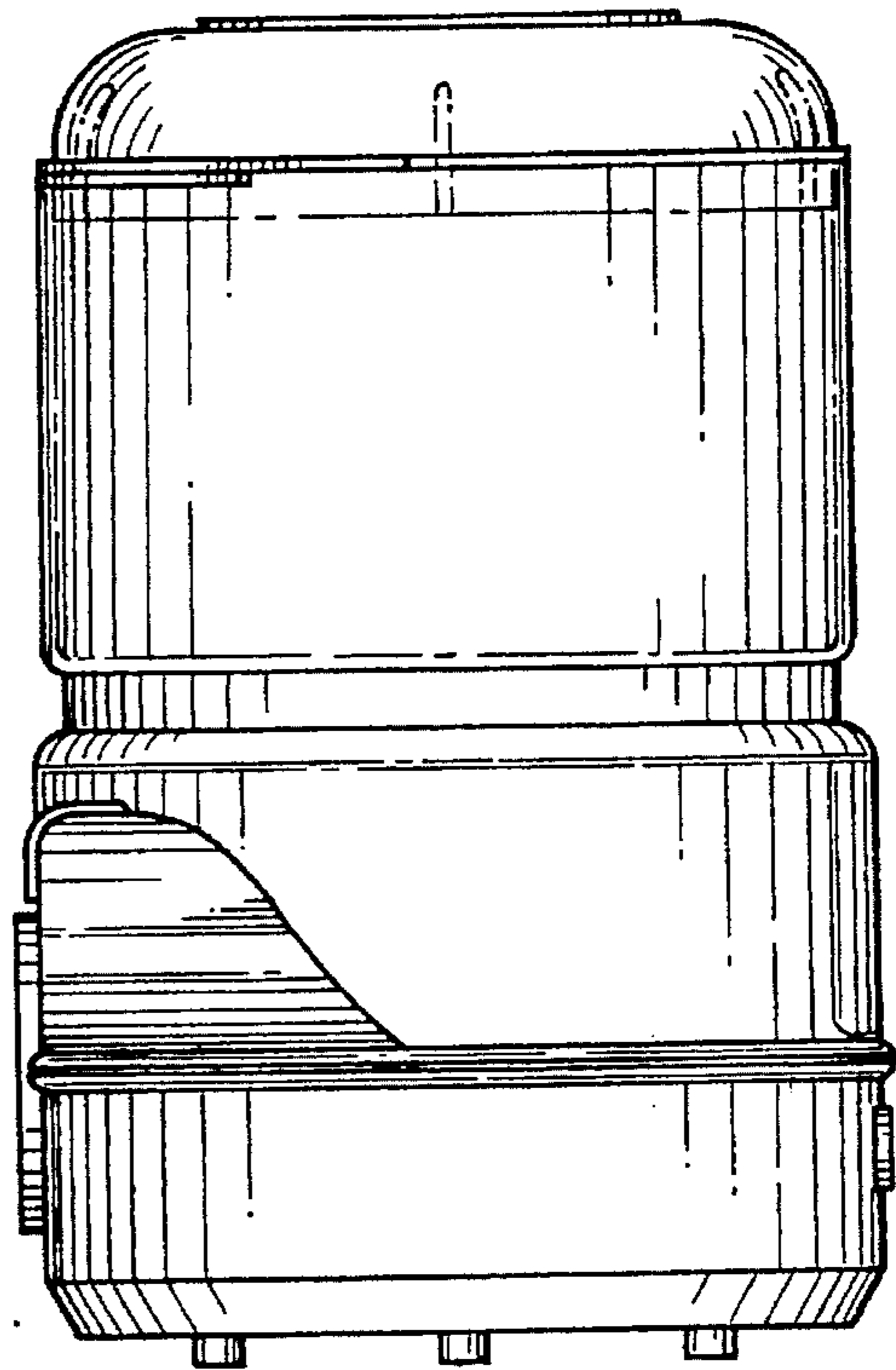
*Fig. 1*



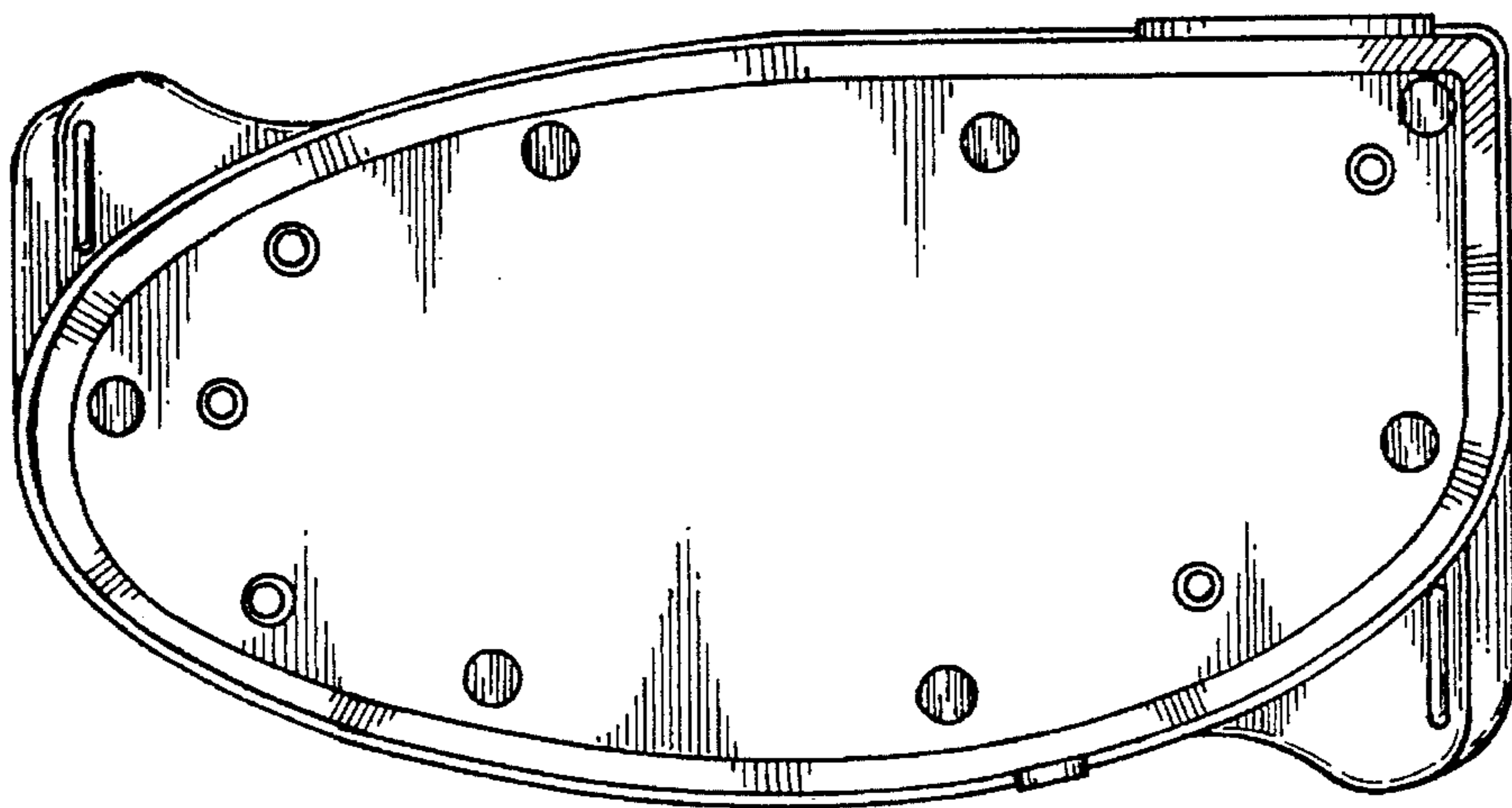
*Fig. 2*



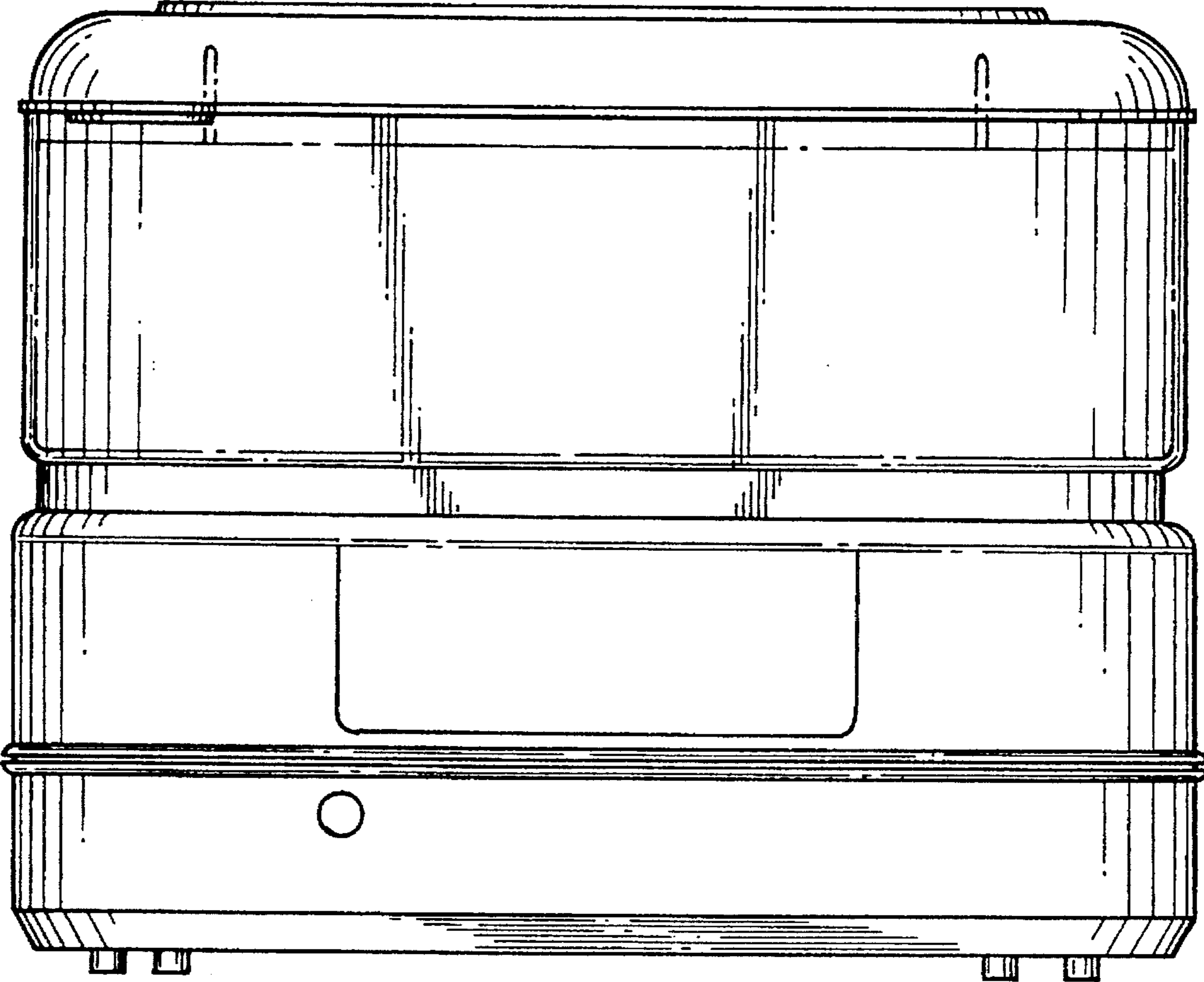
*Fig. 3*



*Fig. 4*



*Fig. 5*



*Fig. 6*