



US00D363634S

United States Patent [19]

Cohn

[11] Patent Number: **Des. 363,634**

[45] Date of Patent: ****Oct. 31, 1995**

[54] **BEVERAGE DISPENSER**

[75] Inventor: **Robert J. Cohn**, Dallas, Pa.

[73] Assignee: **Cambro Manufacturing Company**,
Huntington Beach, Calif.

[**] Term: **14 Years**

[21] Appl. No.: **25,729**

[22] Filed: **Jul. 11, 1994**

[52] U.S. Cl. **D7/306; D7/300**

[58] Field of Search **D7/300, 306, 307,**
D7/308, 309, 310, 311; 99/288, 279

[56] **References Cited**

U.S. PATENT DOCUMENTS

D. 87,654 8/1932 Vassos D7/311
D. 93,570 10/1934 Olds D7/308

D. 106,812 11/1937 Wiggernhorn D7/307
D. 356,713 3/1995 Groover D7/306

Primary Examiner—Alan P. Douglas
Assistant Examiner—M. N. Pandozzi
Attorney, Agent, or Firm—Michael Ebert

[57] **CLAIM**

The ornamental design for a beverage dispenser, as shown and described.

DESCRIPTION

FIG. 1 is a front view of my design for a beverage dispenser; FIG. 2 is a rear view thereof; FIG. 3 shows the left side of the beverage dispenser; FIG. 4 shows the right side thereof; FIG. 5 is a top view of the beverage dispenser; and, FIG. 6 is a bottom view thereof.

1 Claim, 3 Drawing Sheets

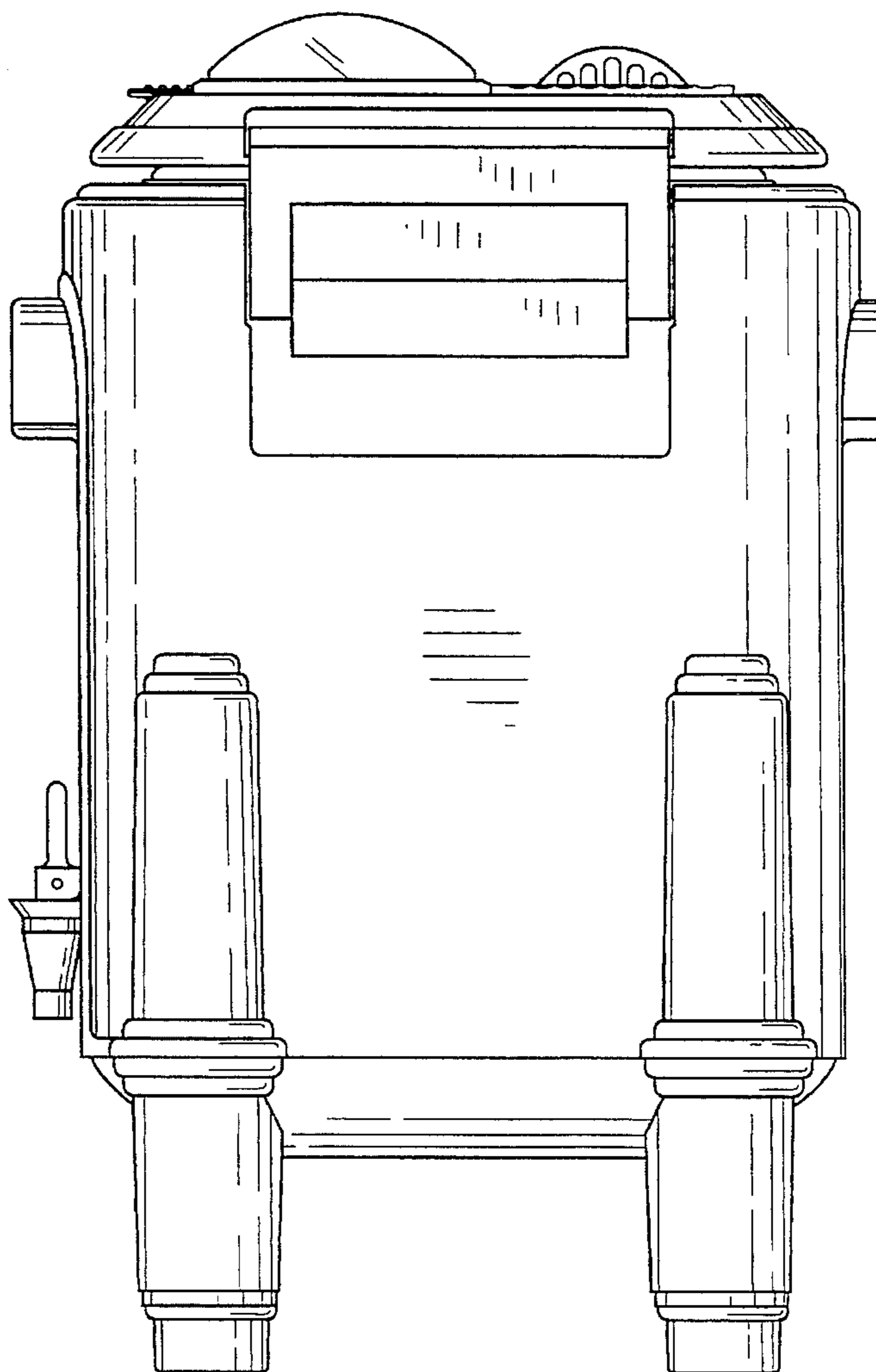
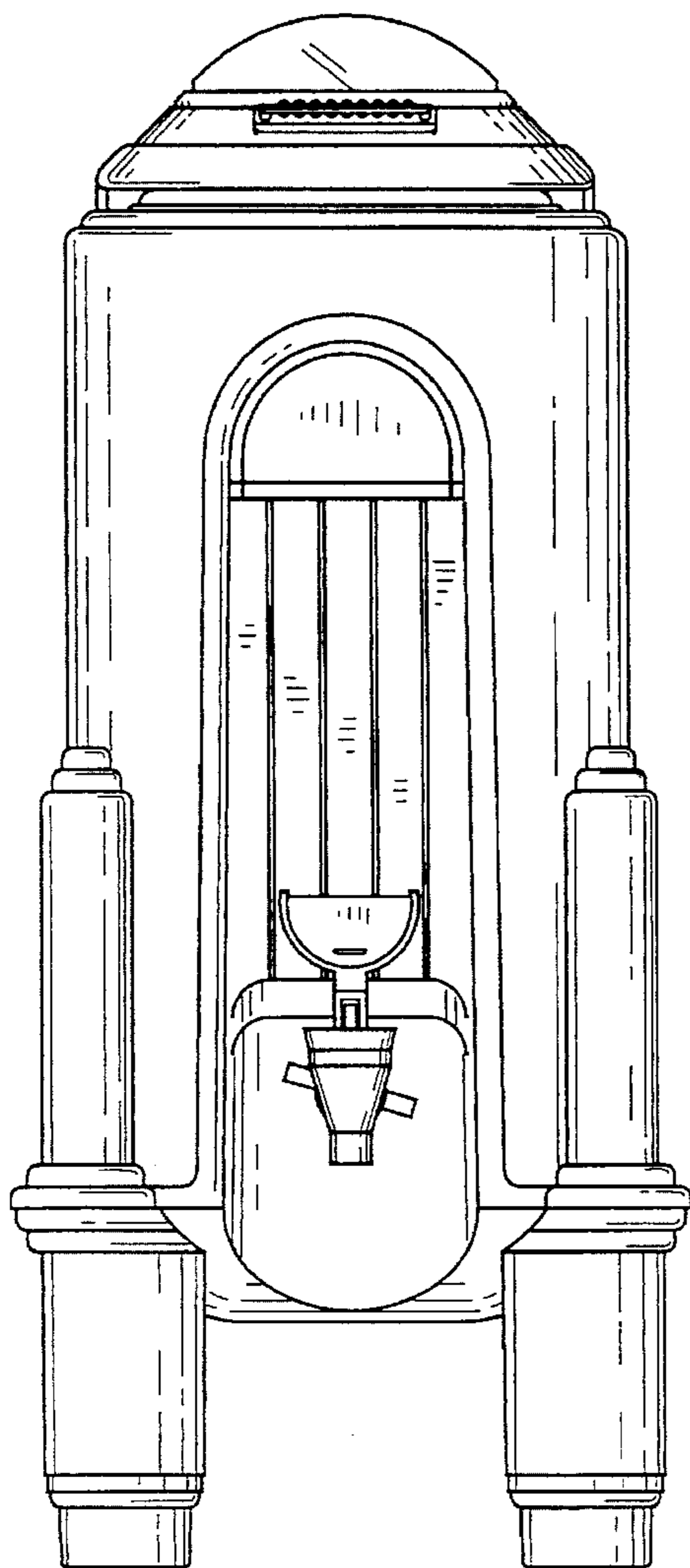


FIG. 4

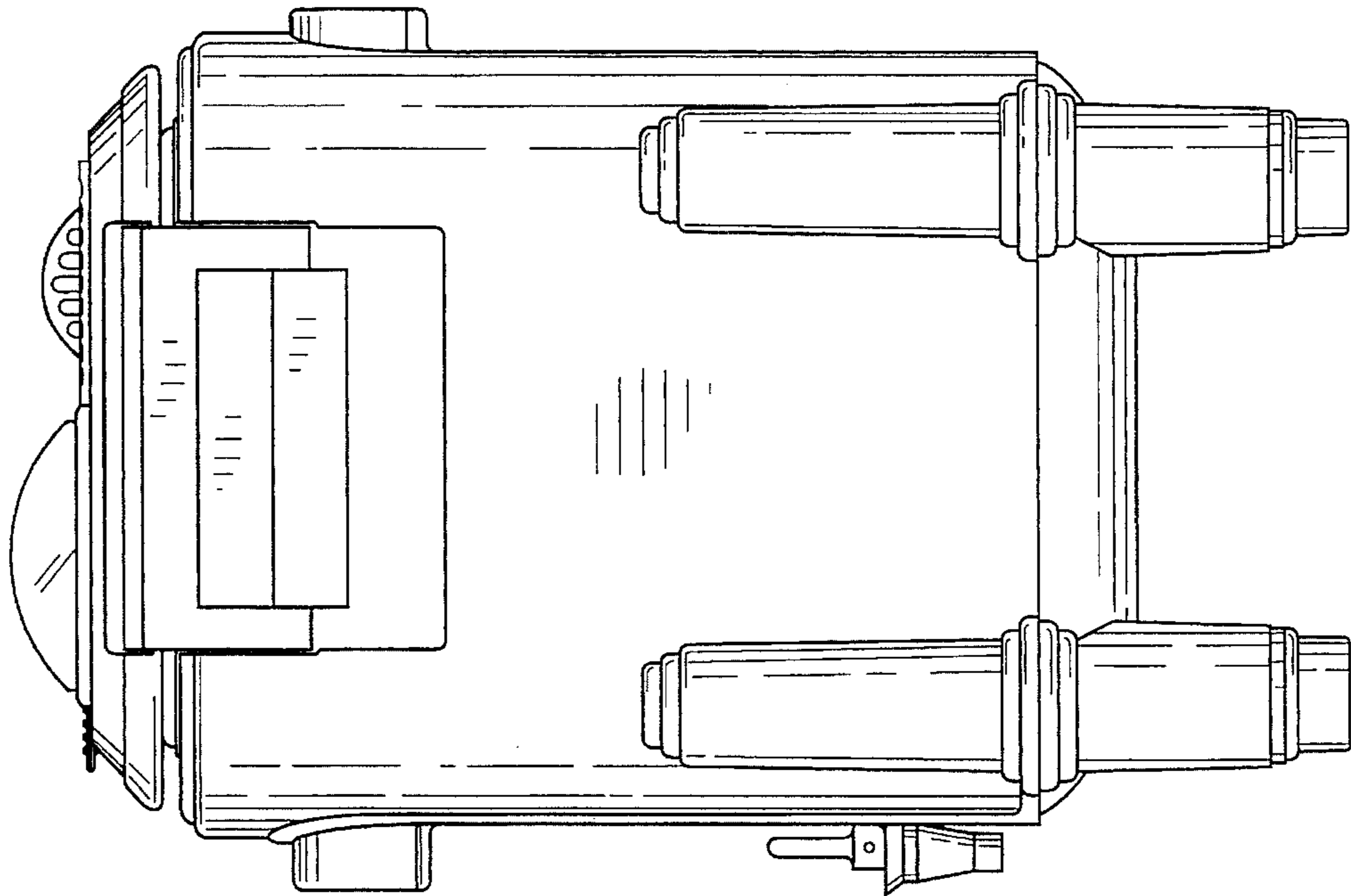


FIG. 1

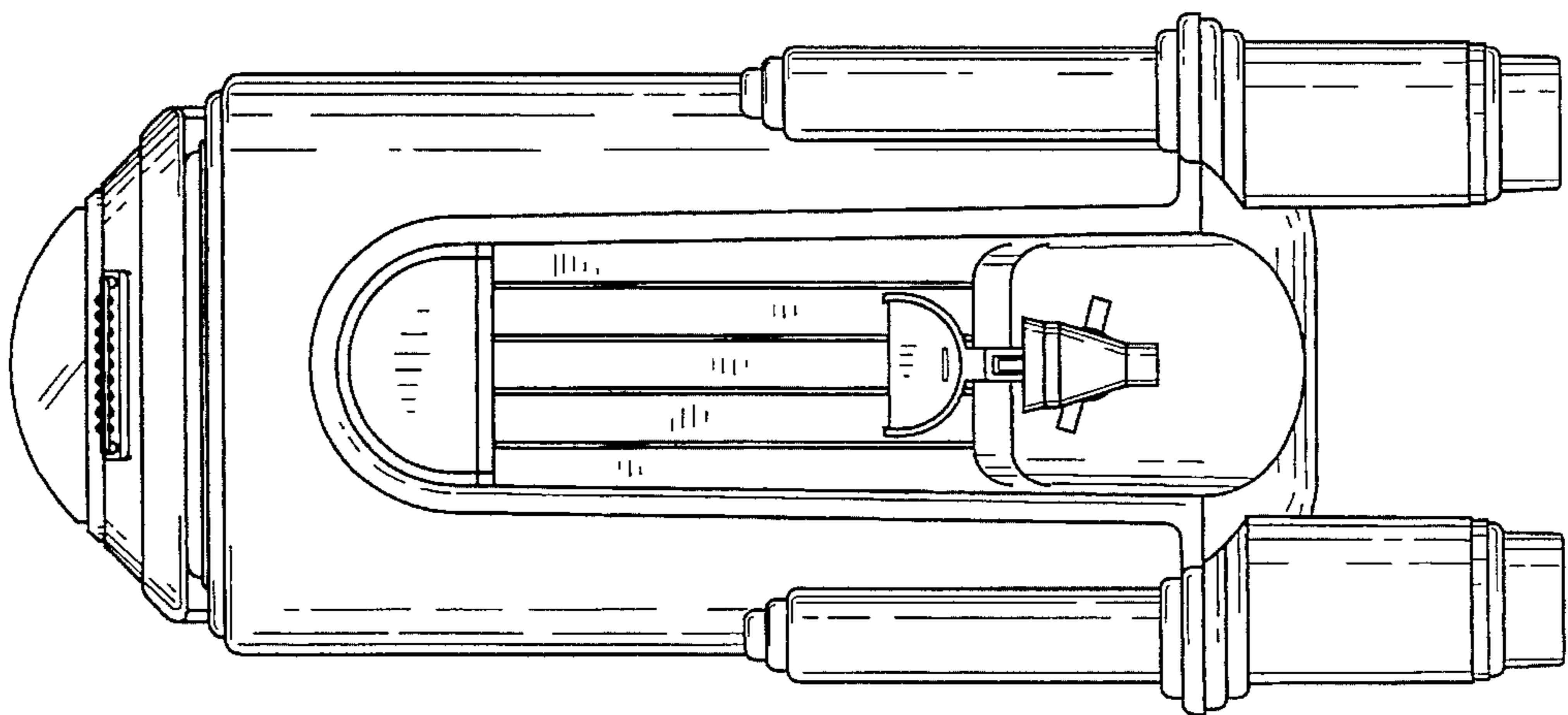


FIG. 3

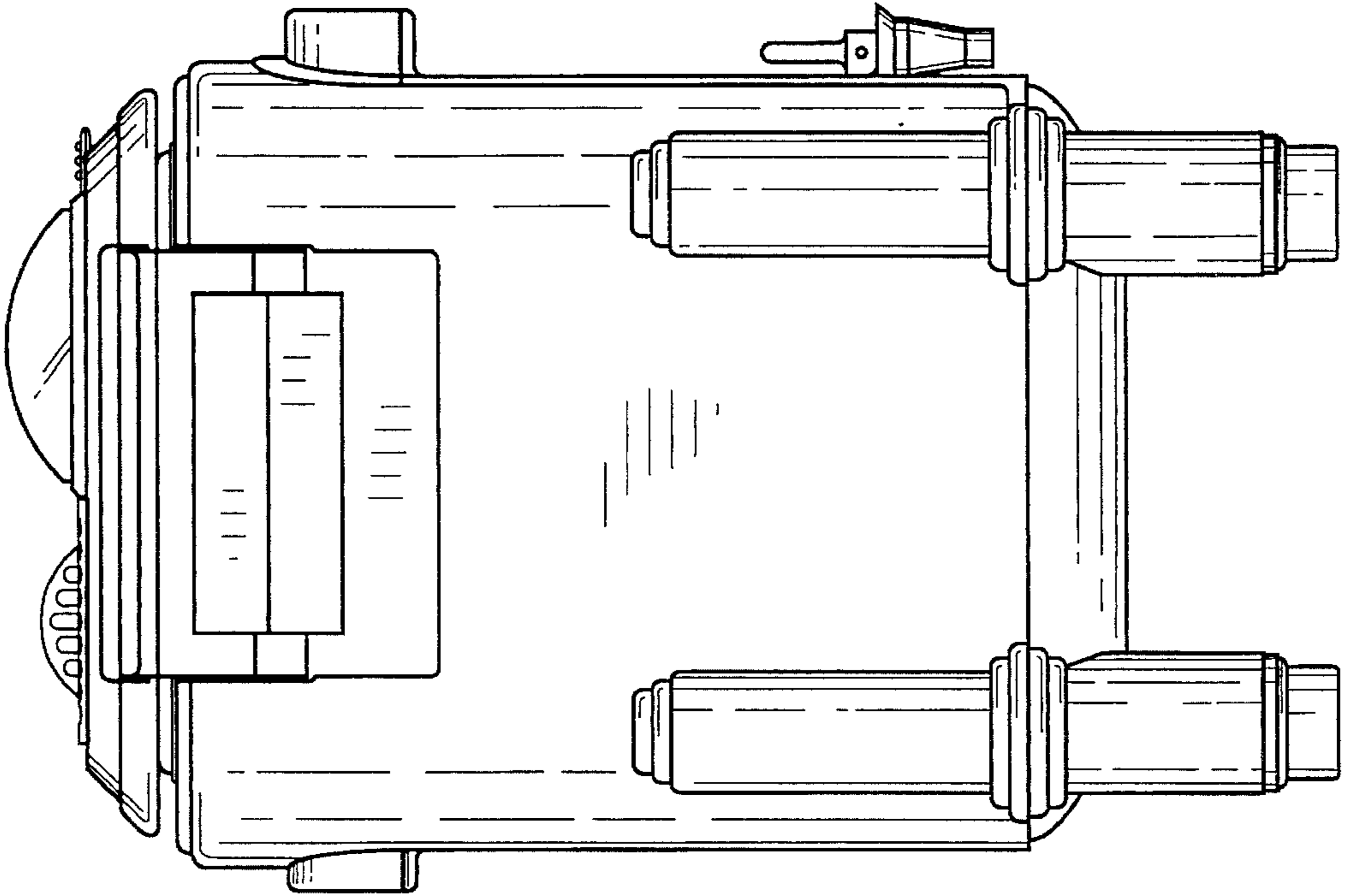


FIG. 2

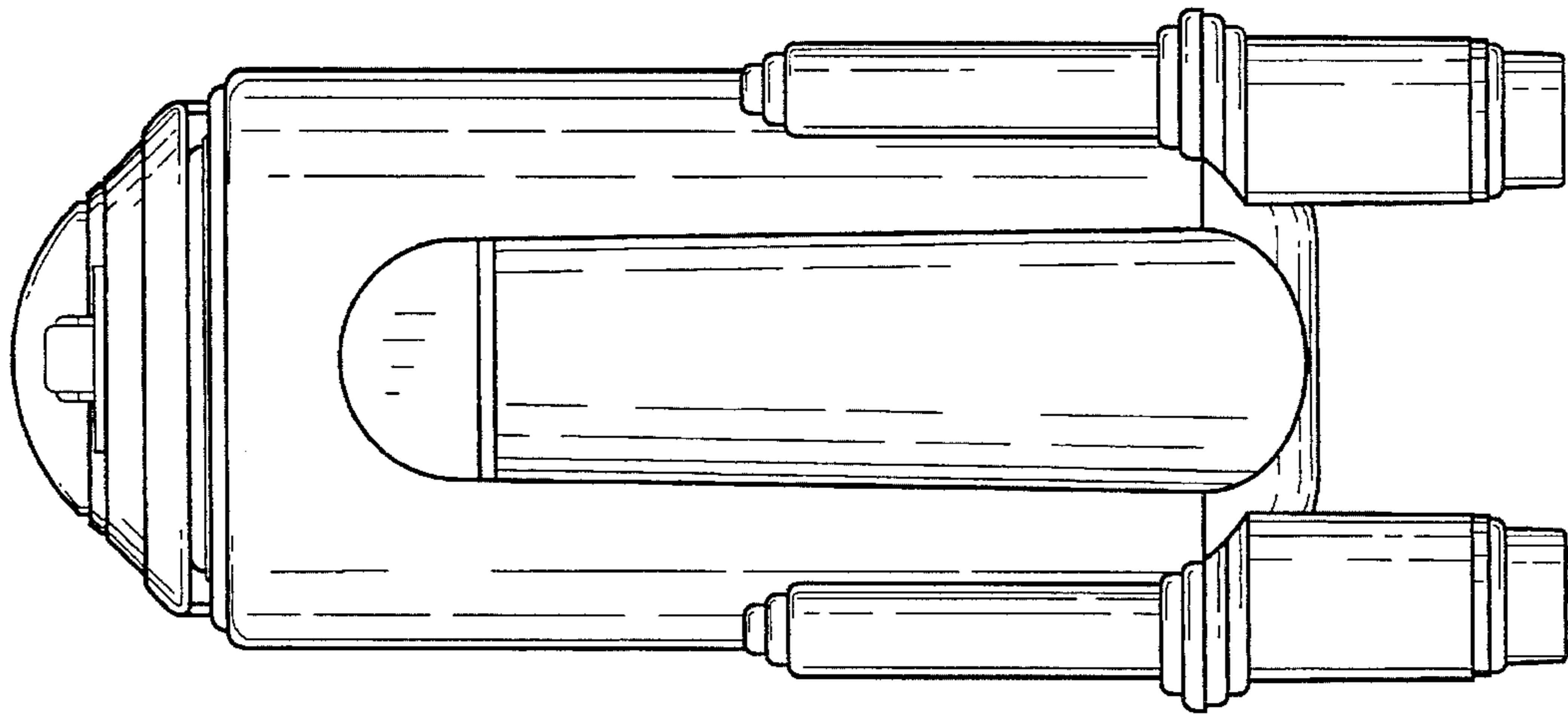


FIG. 5

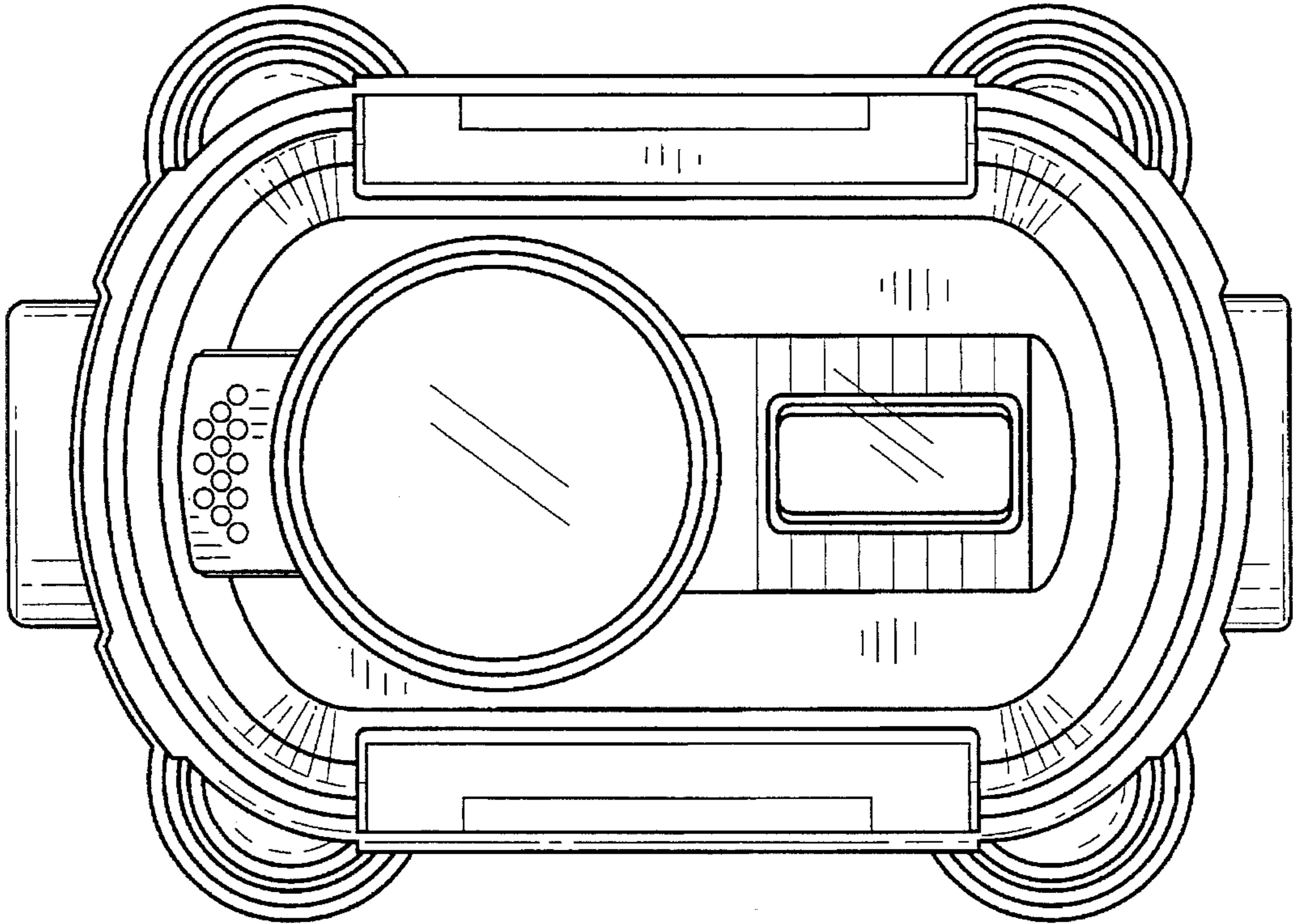


FIG. 6

