



US00D363632S

United States Patent [19] Ohta

[11] Patent Number: **Des. 363,632**

[45] Date of Patent: ****Oct. 31, 1995**

[54] **CASSETTE CASE**

FOREIGN PATENT DOCUMENTS

[75] Inventor: **Takashi Ohta**, Tokyo, Japan

2185236 7/1987 United Kingdom 206/387.1

[73] Assignee: **Sony Corporation**, Tokyo, Japan

Primary Examiner—Celia Murphy
Attorney, Agent, or Firm—Beveridge, DeGrandi, Weilacher & Young

[**] Term: **14 Years**

[21] Appl. No.: **28,341**

[57] CLAIM

[22] Filed: **Sep. 13, 1994**

The ornamental design for a cassette case, as shown and described.

[30] Foreign Application Priority Data

DESCRIPTION

Mar. 14, 1994 [JP] Japan 6-6228

[52] U.S. Cl. **D6/634; D6/632**

[58] Field of Search D6/629, 630, 631,
D6/632, 633, 634; D9/341, 918; 206/387.1

FIG. 1 is a perspective view of a cassette case showing my new design;

FIG. 2 is a front elevational view thereof;

FIG. 3 is a rear elevational view thereof;

FIG. 4 is a top plan view thereof;

FIG. 5 is a bottom plan view thereof;

FIG. 6 is a left side elevational view thereof;

FIG. 7 is a right side elevational view thereof; and,

FIG. 8 is an perspective view thereof shown in an open position, the undisclosed interior being a mirror image of what is shown.

[56] References Cited

U.S. PATENT DOCUMENTS

D. 264,770	6/1982	Long	D6/634
D. 271,349	11/1983	Thiele	D6/634
D. 334,467	4/1993	Hata	D6/632
D. 342,379	12/1993	Taniyama	D6/634
4,469,225	9/1984	Takahashi	206/387.1
4,913,287	4/1990	Kagano	206/387.1
4,974,740	12/1990	Niles et al.	206/387.1

1 Claim, 3 Drawing Sheets

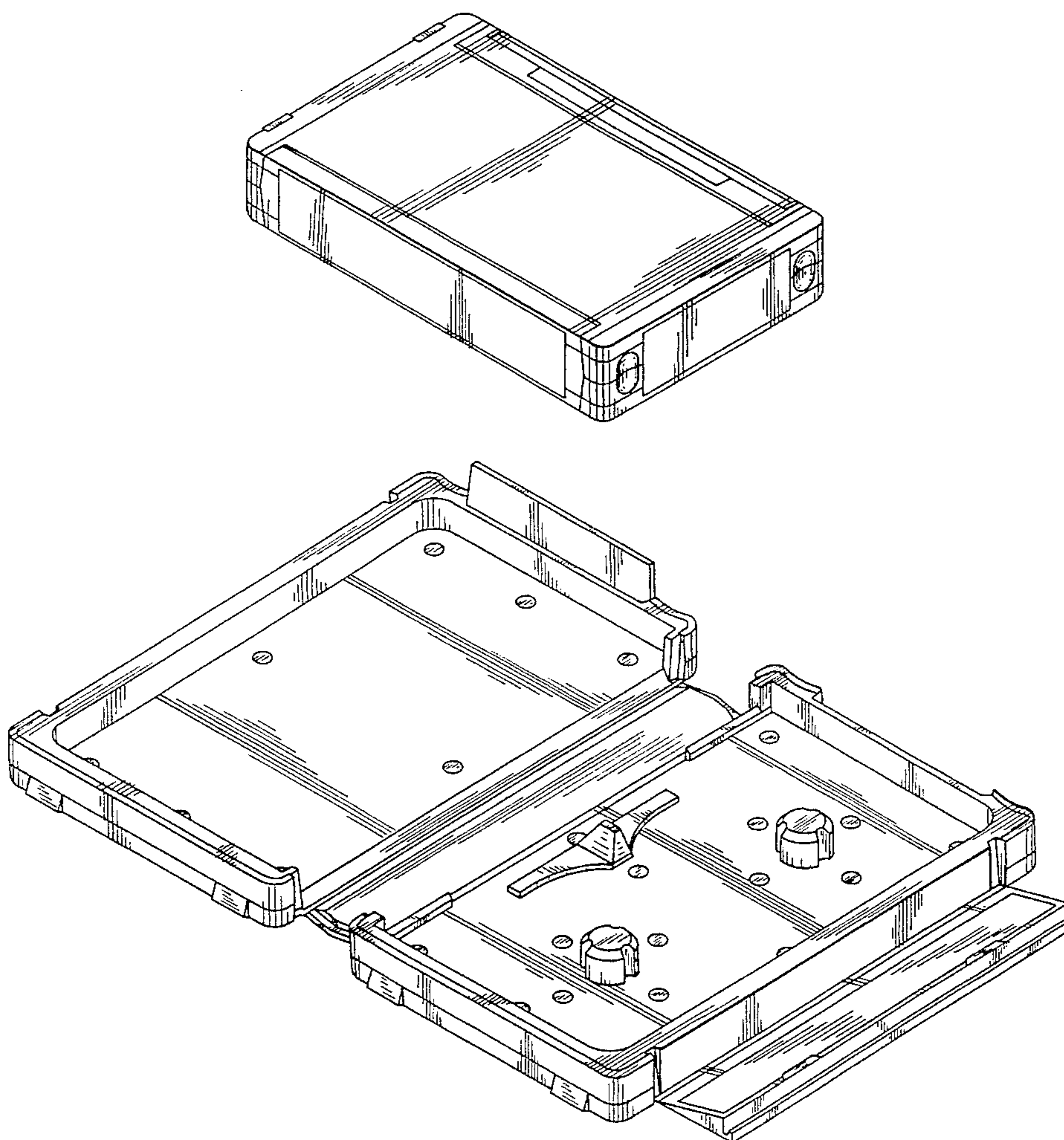


FIG. 1

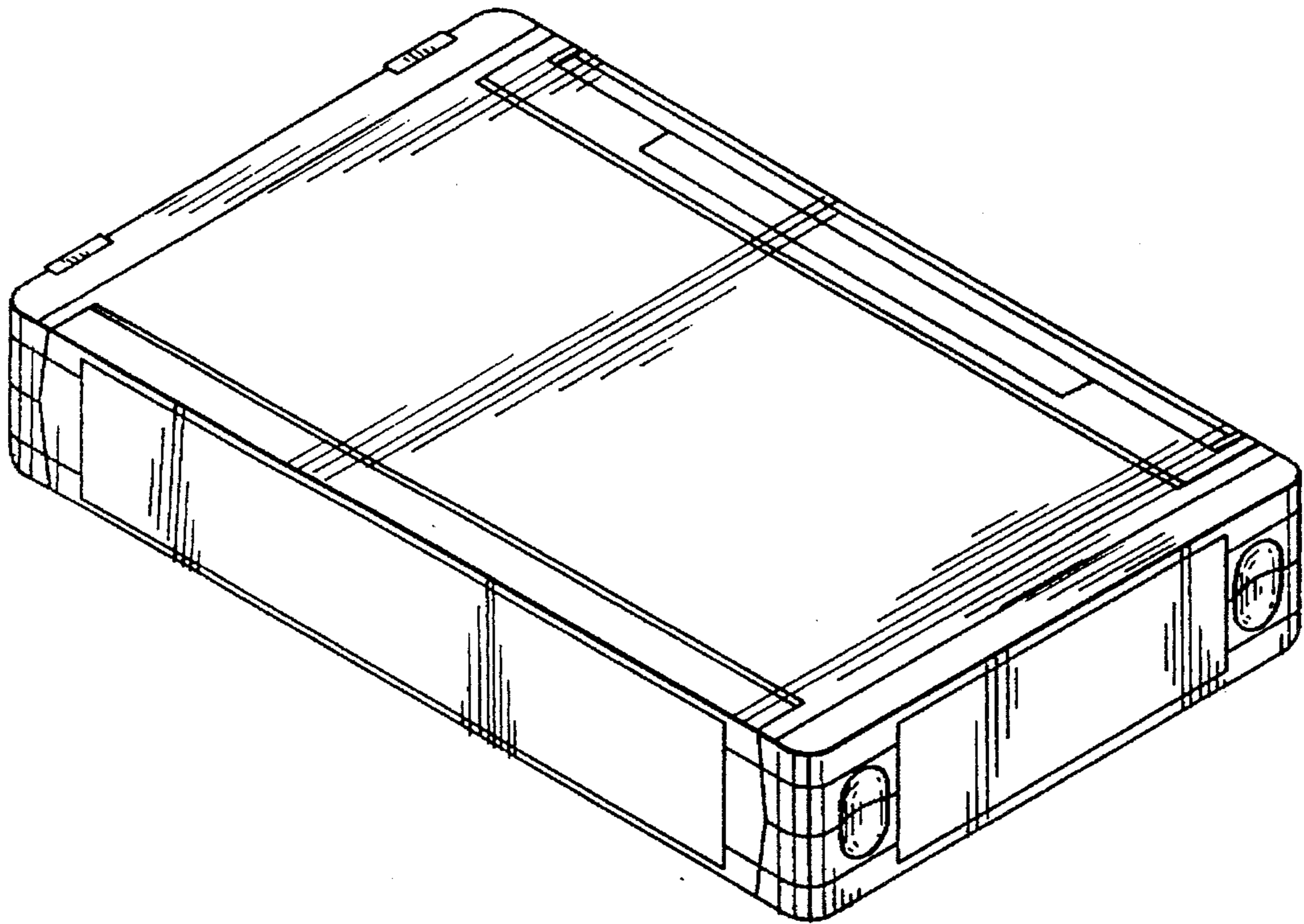


FIG. 2

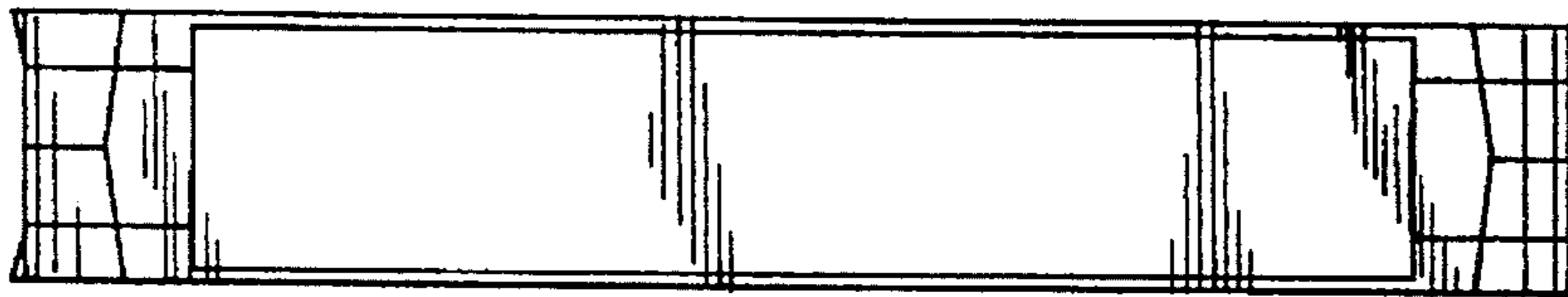


FIG. 3

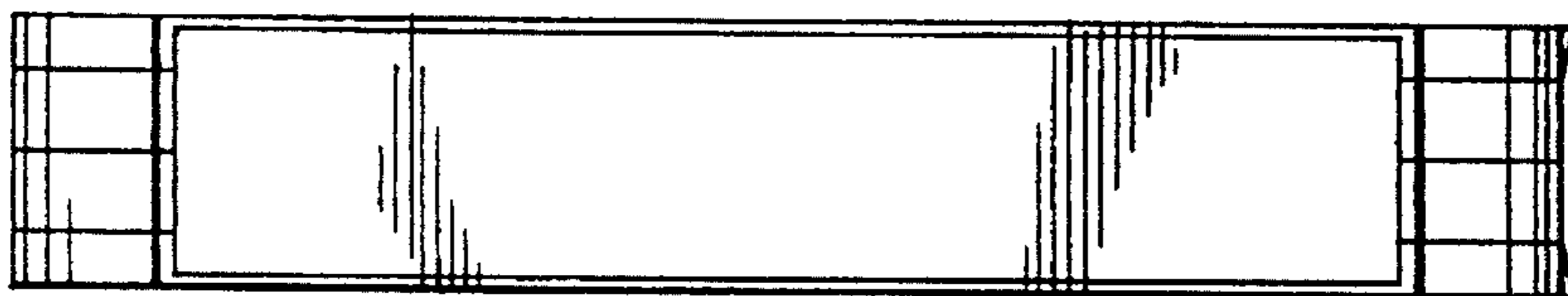


FIG. 4

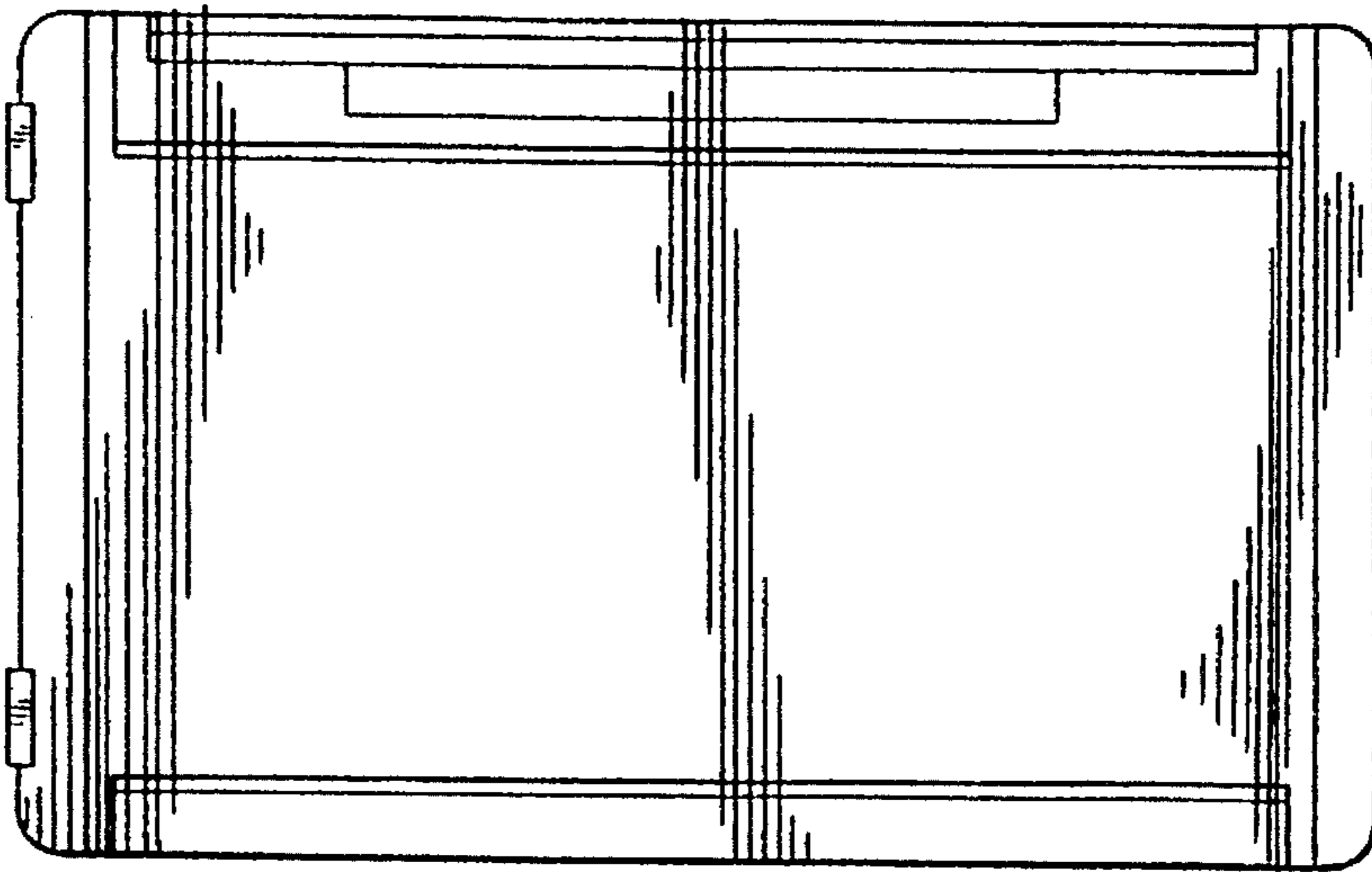


FIG. 5

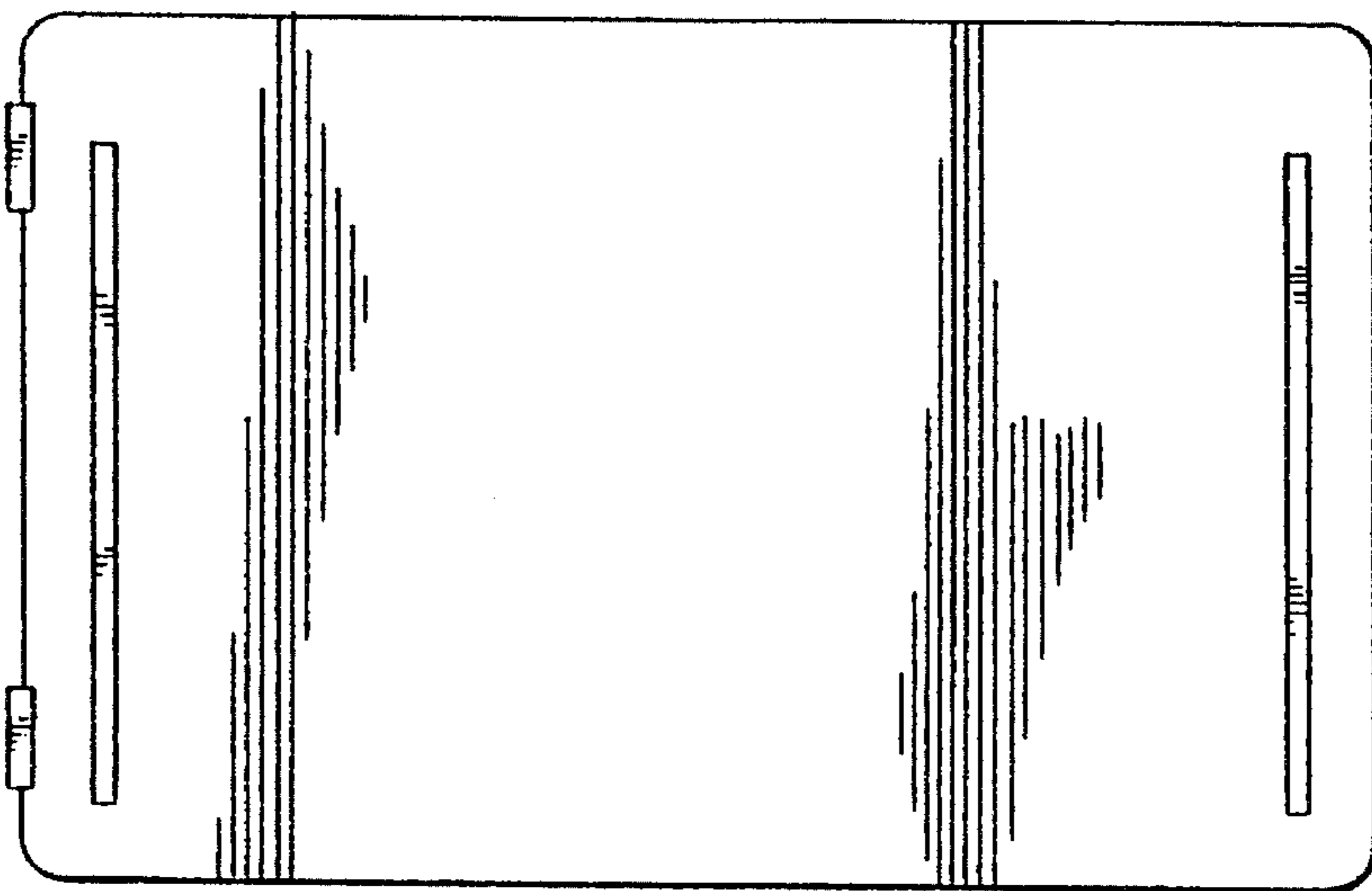


FIG. 6

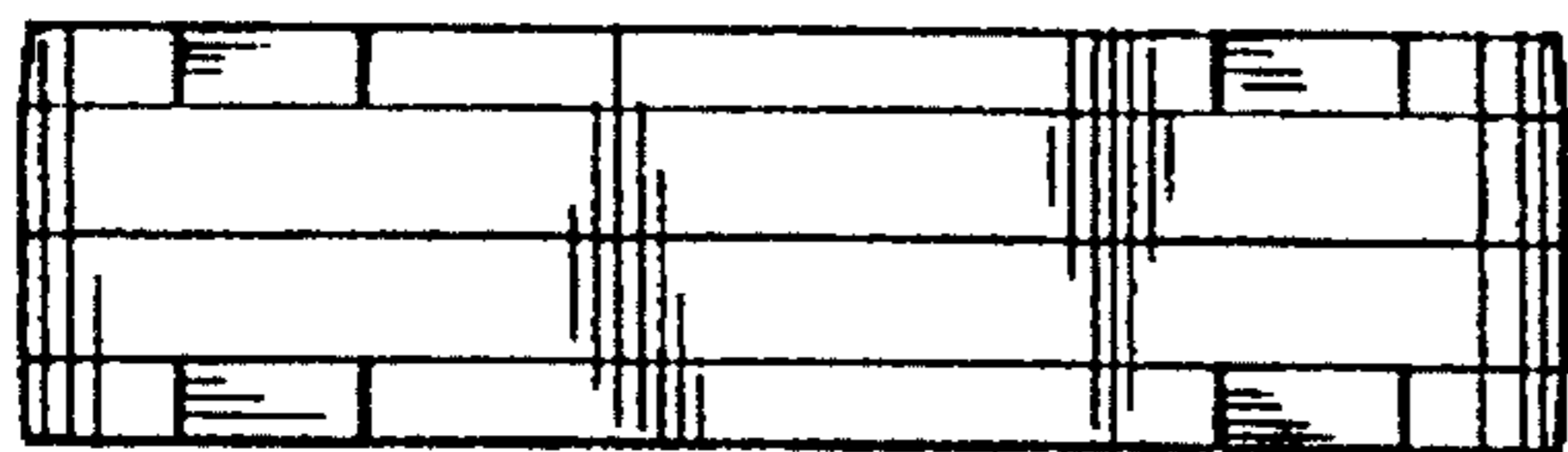
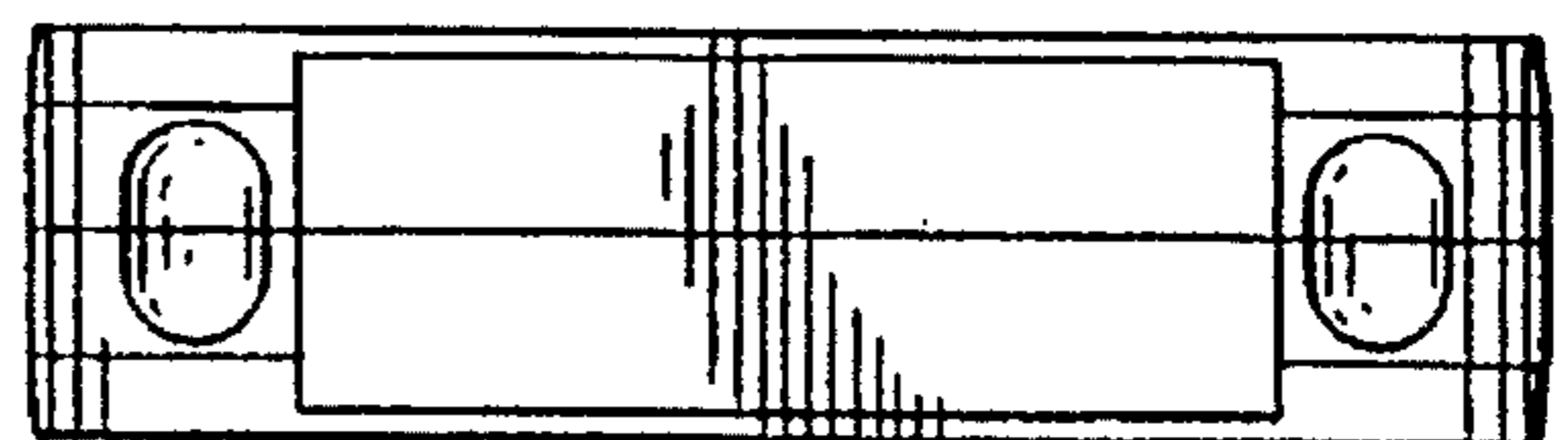


FIG. 7



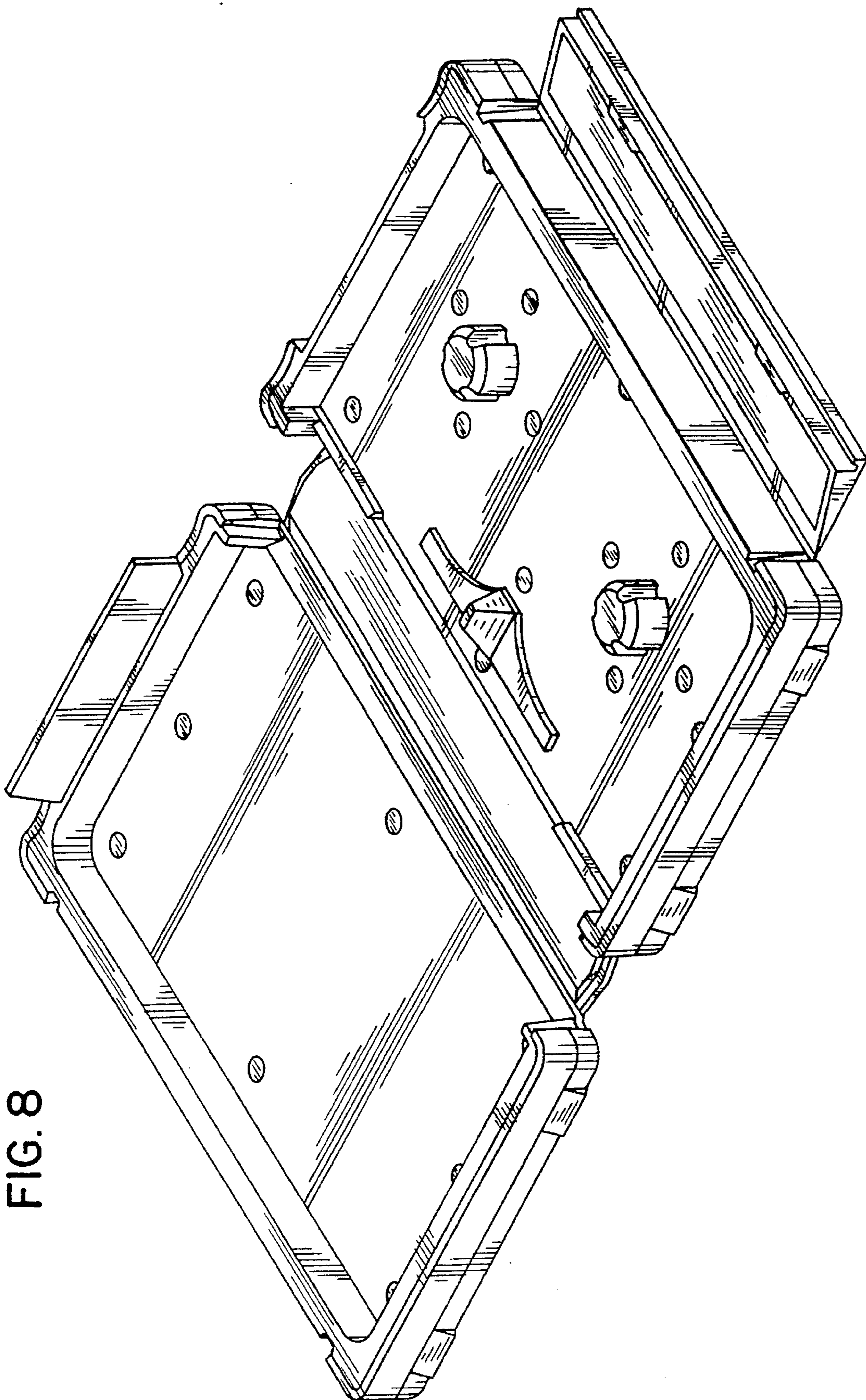


FIG. 8