



US00D363630S

United States Patent [19]
Starck

[11] **Patent Number: Des. 363,630**

[45] **Date of Patent: **Oct. 31, 1995**

[54] **TOWEL RAIL**

[75] Inventor: **Philippe Starck**, Montfort L'Amaury, France

[73] Assignee: **Hans Grohe GmbH & Co. KG**, Germany

[**] Term: **14 Years**

[21] Appl. No.: **26,706**

[22] Filed: **Aug. 4, 1994**

[30] **Foreign Application Priority Data**

Feb. 8, 1992 [DE] Germany 94 01 167.2

[52] **U.S. Cl.** **D6/549**

[58] **Field of Search** D6/546-550; D8/367;
211/13, 16, 86-87, 123, 181; 248/176,
251, 302, 309.1

[56] **References Cited**

U.S. PATENT DOCUMENTS

- D. 296,759 7/1988 Greenhut et al. D8/367
- D. 329,559 9/1992 Paul D6/546 X
- D. 346,950 5/1994 Dunn et al. D8/367

OTHER PUBLICATIONS

Product Catalog of Aloys F. Dornbracht GmbH & Co., KG, of Germany, the catalog having a publication date at least as early as Nov. 13, 1992 (e.g., press release date).
Baldwin Bath Epic Accessories Catalogue (1987) p. 12, Palm Springs Towel Bar.

Primary Examiner—Brian N. Vinson
Attorney, Agent, or Firm—Eckert Seamans Cherin & Mellott

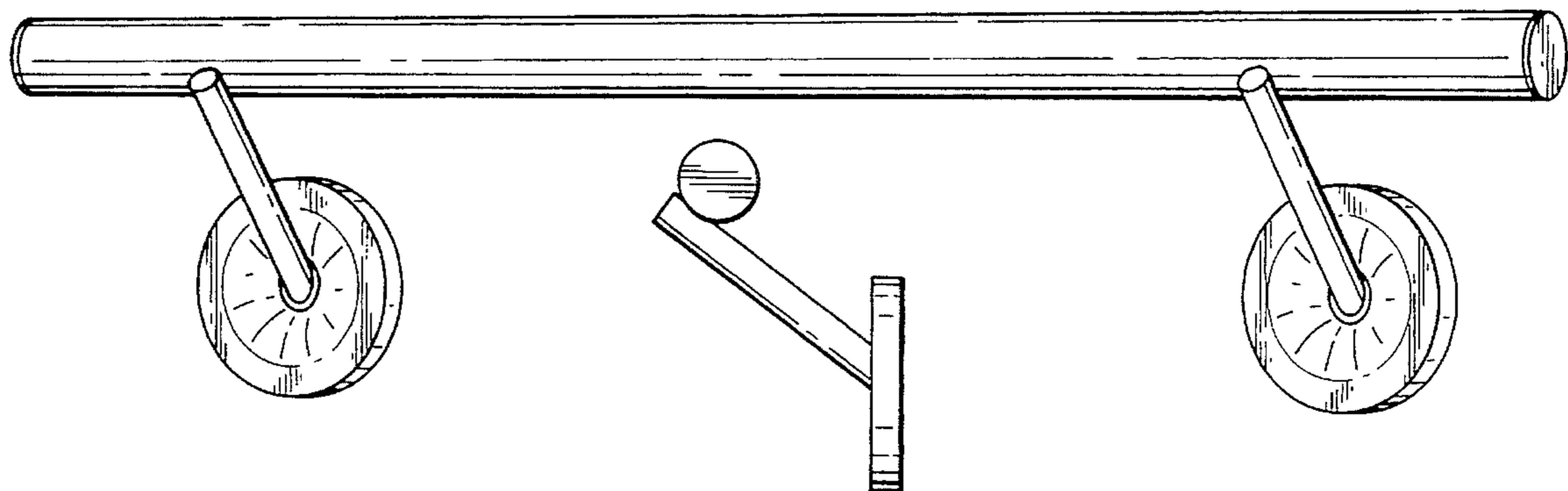
[57] **CLAIM**

The ornamental design for a towel rail, as shown and described.

DESCRIPTION

FIG. 1 is a side perspective view taken from the front and right side of a towel rail showing my new design;
FIG. 2 is a right side elevation view thereof;
FIG. 3 is a left side elevation view thereof;
FIG. 4 is a top plan view thereof;
FIG. 5 is a front elevation view thereof;
FIG. 6 is a rear elevation view thereof; and,
FIG. 7 is a bottom plan view thereof.

1 Claim, 3 Drawing Sheets



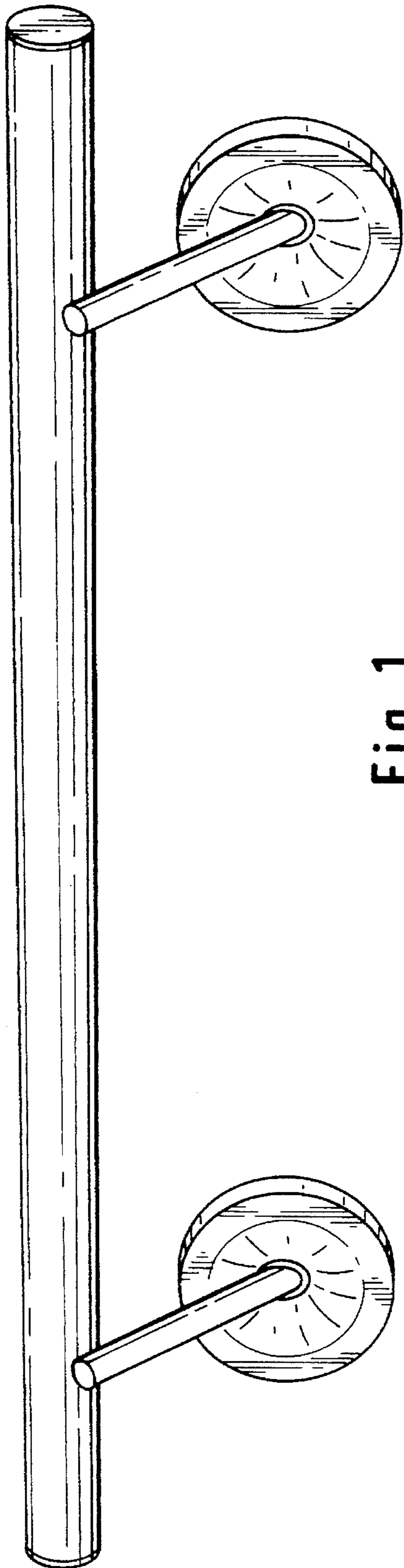


Fig. 1

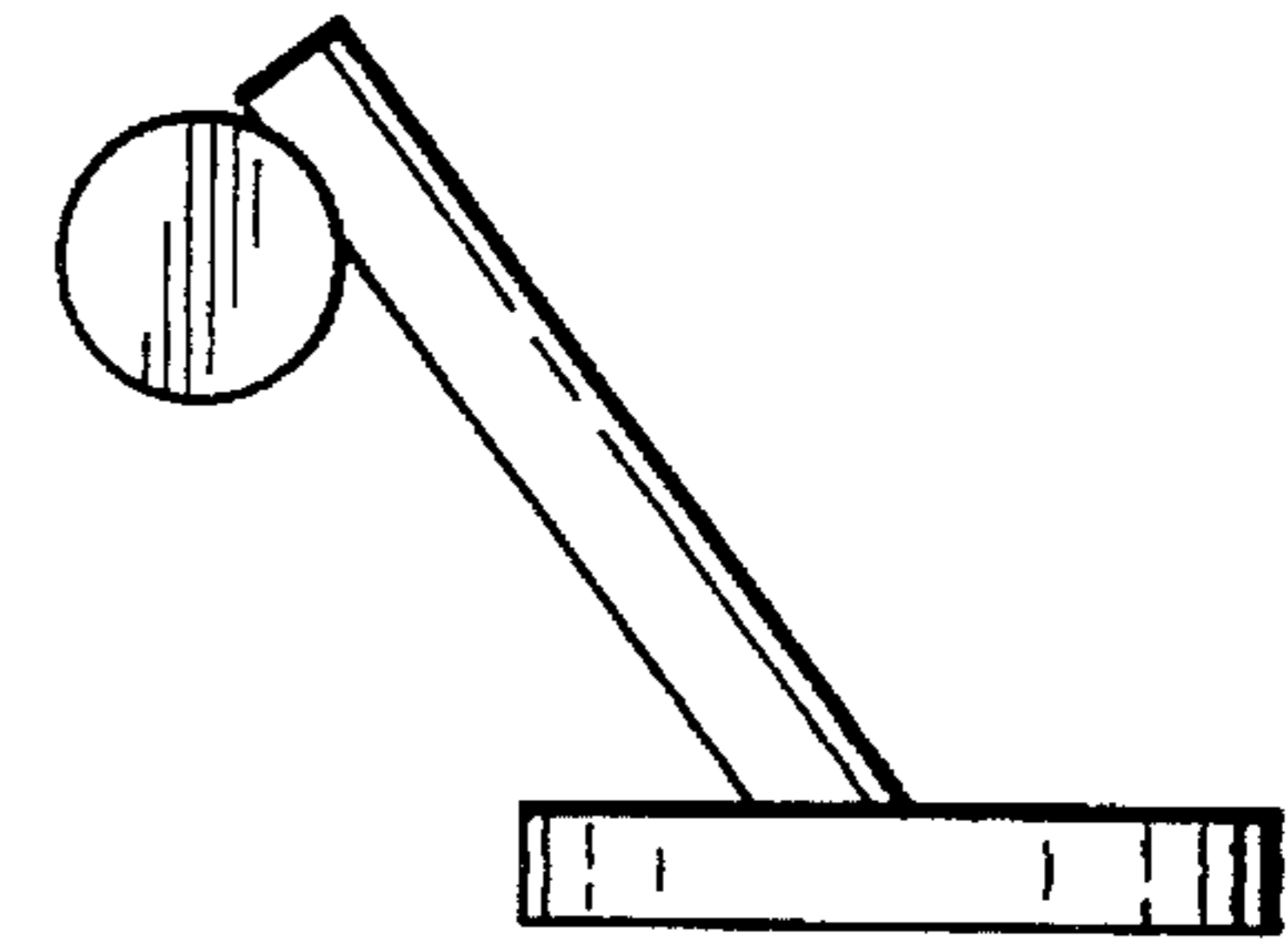


Fig. 2

Fig. 3

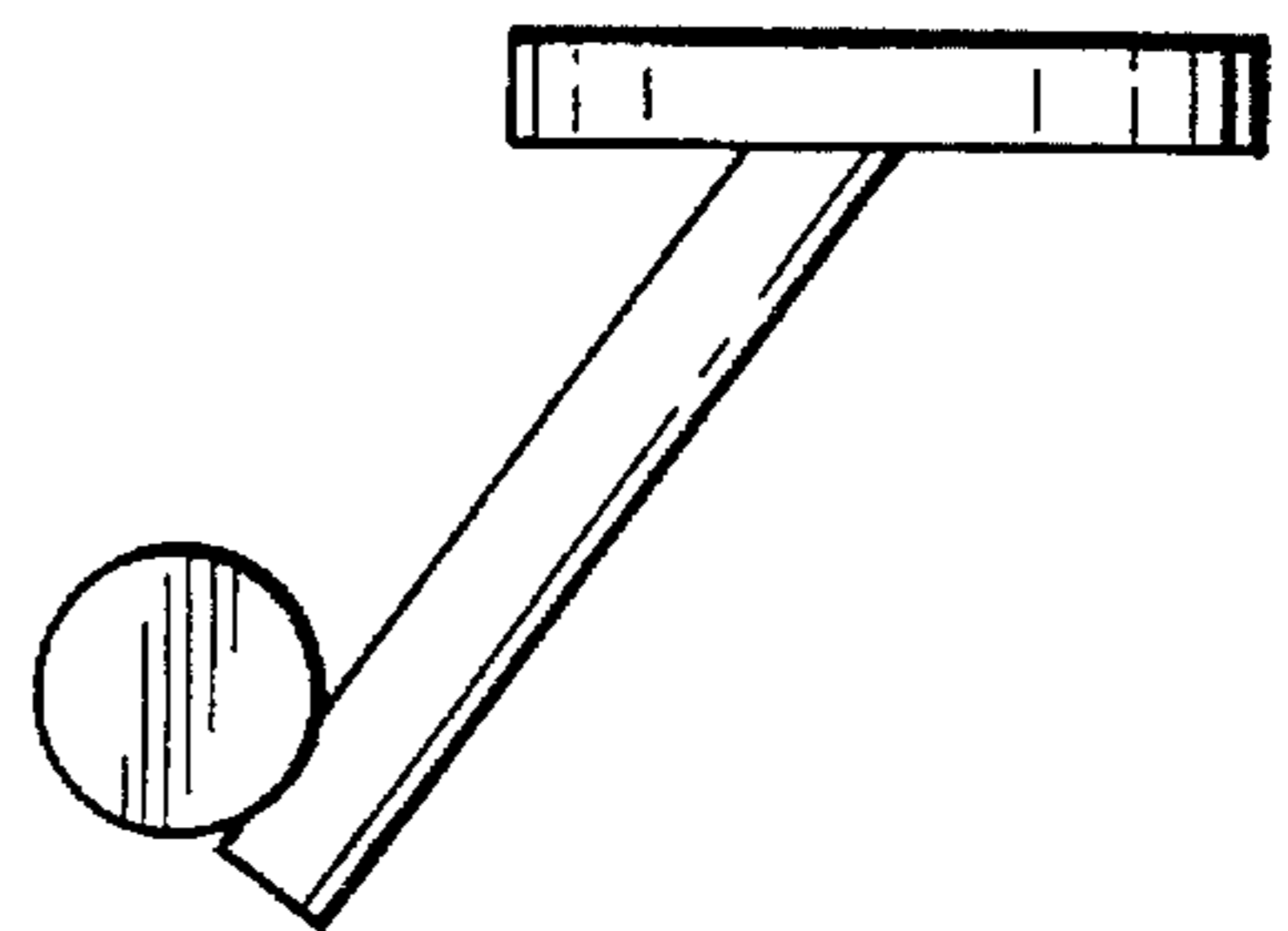


Fig. 4

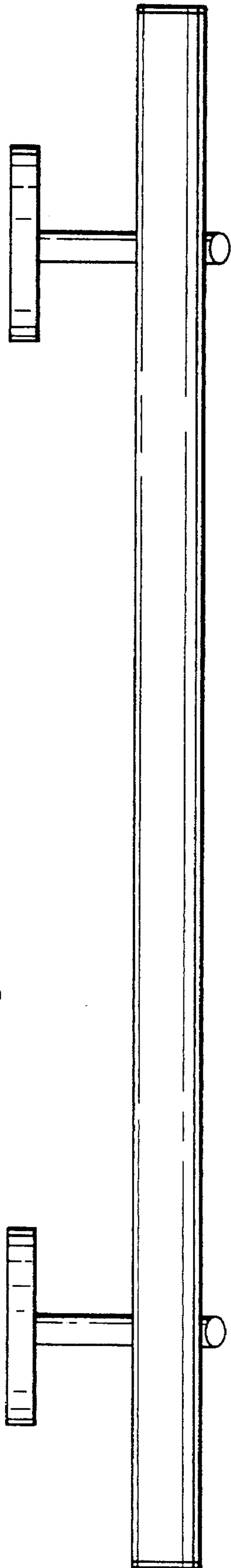
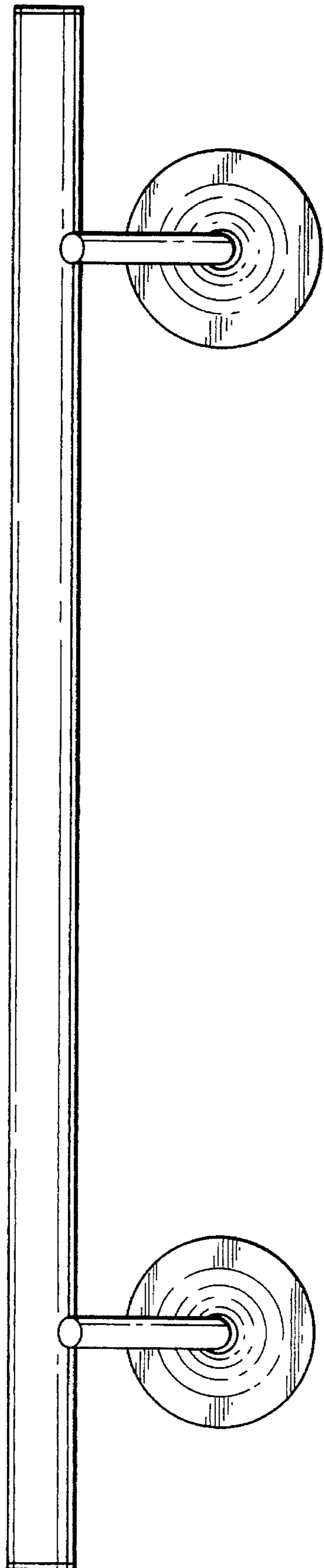


Fig. 5



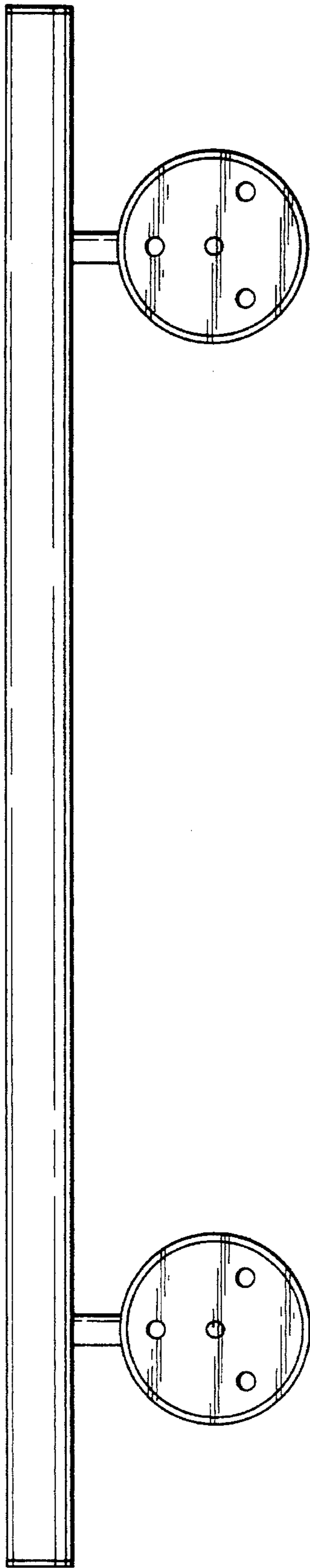
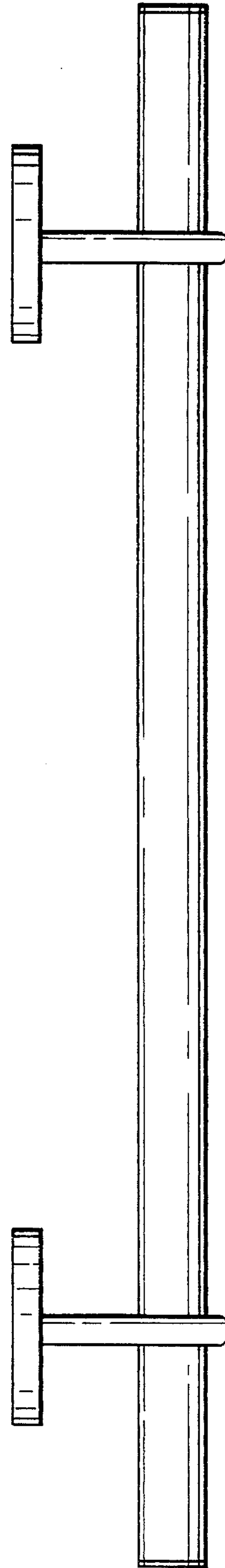


Fig. 6

Fig. 7



UNITED STATES PATENT AND TRADEMARK OFFICE
CERTIFICATE OF CORRECTION

PATENT NO. : Des. 363,630
DATED : October 31, 1995
INVENTOR(S) : Philippe Starck

It is certified that error appears in the above-identified patent and that said Letters Patent is hereby corrected as shown below:

[30] Foreign Application Priority Data

The priority application date should be changed from "Feb. 8, 1992" to
~~Feb. 8, 1994~~.

Signed and Sealed this
Twenty-third Day of January, 1996

Attest:



BRUCE LEHMAN

Attesting Officer

Commissioner of Patents and Trademarks