



US00D363624S

United States Patent [19]

[11] Patent Number: **Des. 363,624**

Levine

[45] Date of Patent: ****Oct. 31, 1995**

[54] TWO TIERED TABLE

[76] Inventor: **Bart J. Levine**, 4420 S. Wolcott Ave., Chicago, Ill. 60609

[**] Term: **14 Years**

[21] Appl. No.: **18,206**

[22] Filed: **Feb. 1, 1994**

[52] U.S. Cl. **D6/479**

[58] Field of Search D6/396, 403, 405-407, D6/628, 415, 449, 555, 556, 461, 477-479, 487, 488; 108/27, 59, 161; 211/182

[56] References Cited

U.S. PATENT DOCUMENTS

D. 176,473	12/1955	Moxley	D34/21
D. 233,050	10/1974	Young et al.	D6/449 X
D. 235,296	6/1975	Ginat	D6/479
D. 301,790	6/1989	Ivano	D34/21
D. 308,776	6/1990	Yau Kee	D6/465 X
D. 312,717	12/1990	Yau Kee	D6/465 X
3,187,693	6/1965	Hamilton et al.	108/59
3,541,975	11/1970	Lay	108/27

OTHER PUBLICATIONS

GKS Decorative Metalcraft Catalog, 1940, p. 2.
Service Merchandise Catalog, 91/92, p. 314, item 9.
Ikea Catalog, 1987 p. 49, item "General/Voss".

Primary Examiner—Carmen H. Vales-Lado
Assistant Examiner—Cathron B. Matta
Attorney, Agent, or Firm—Knechtel, Demeur & Samlan

[57] CLAIM

The ornamental design for a two tiered table, as shown and described.

DESCRIPTION

FIG. 1 is a perspective view of a two tiered table showing my new design;
FIG. 2 is a front elevational view thereof;
FIG. 3 is a right side elevational view with the left side elevational view being identical thereto;
FIG. 4 is a top plan view thereof; and,
FIG. 5 is a bottom plan view thereof.

1 Claim, 1 Drawing Sheet

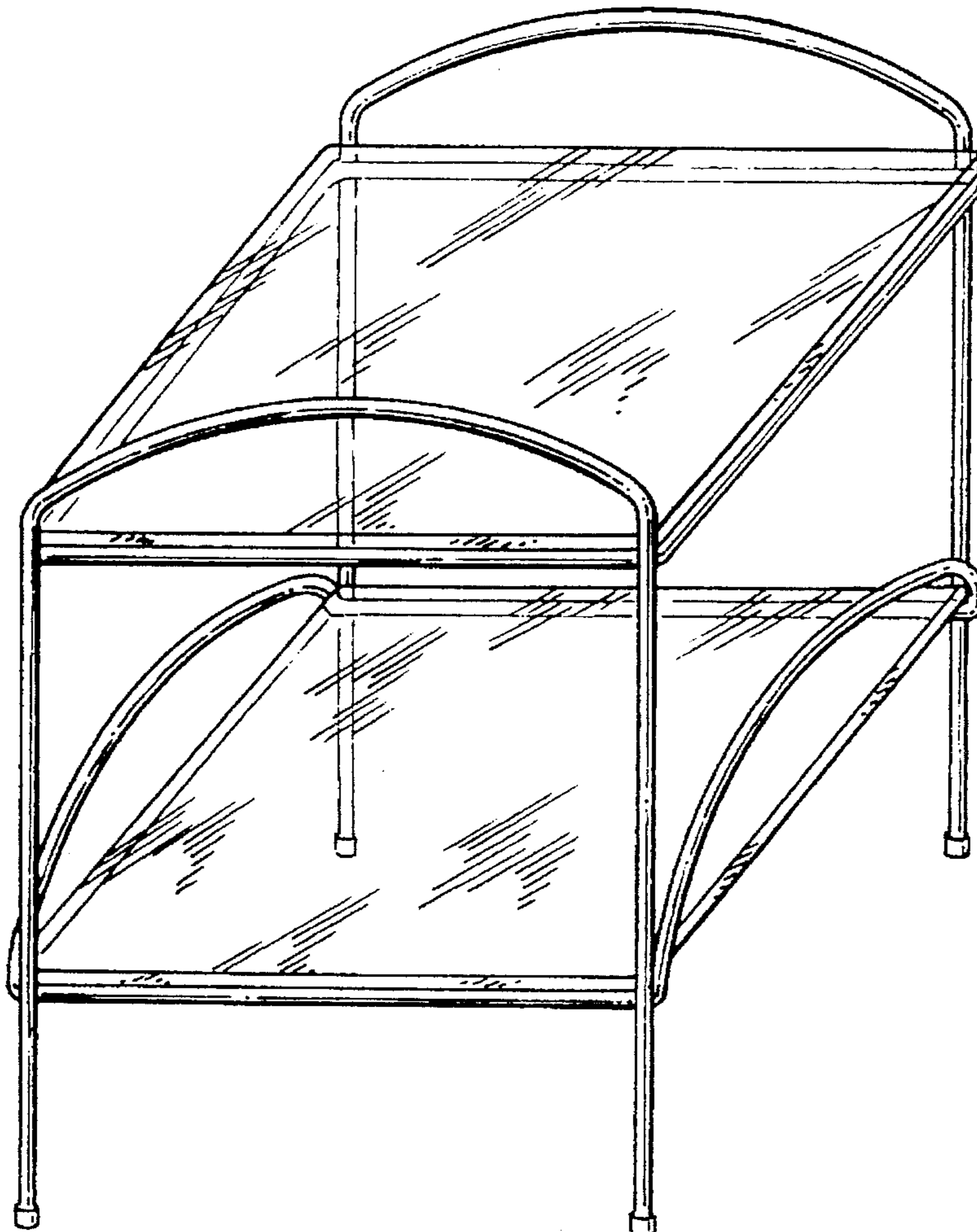


FIG. 1

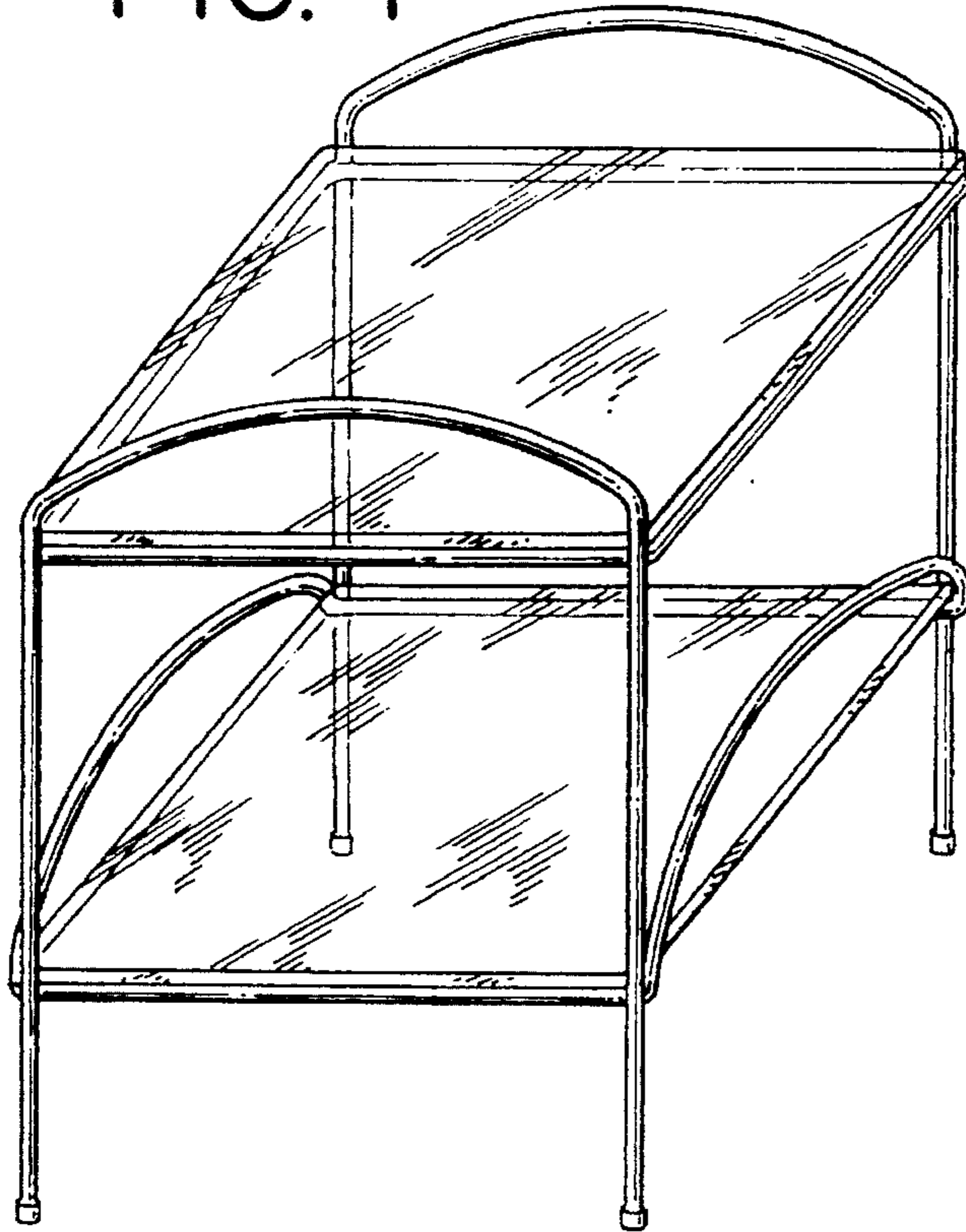


FIG. 2

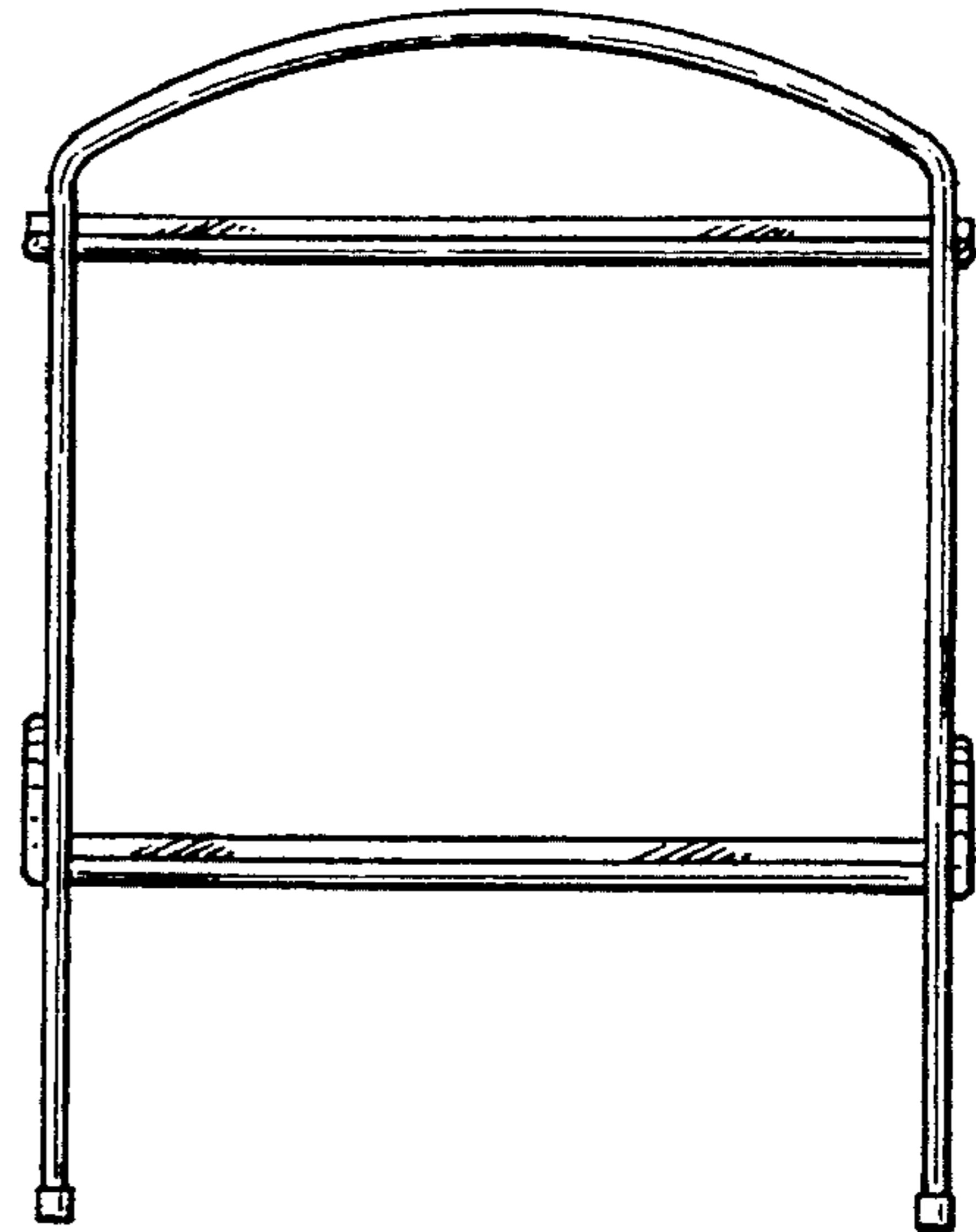


FIG. 3

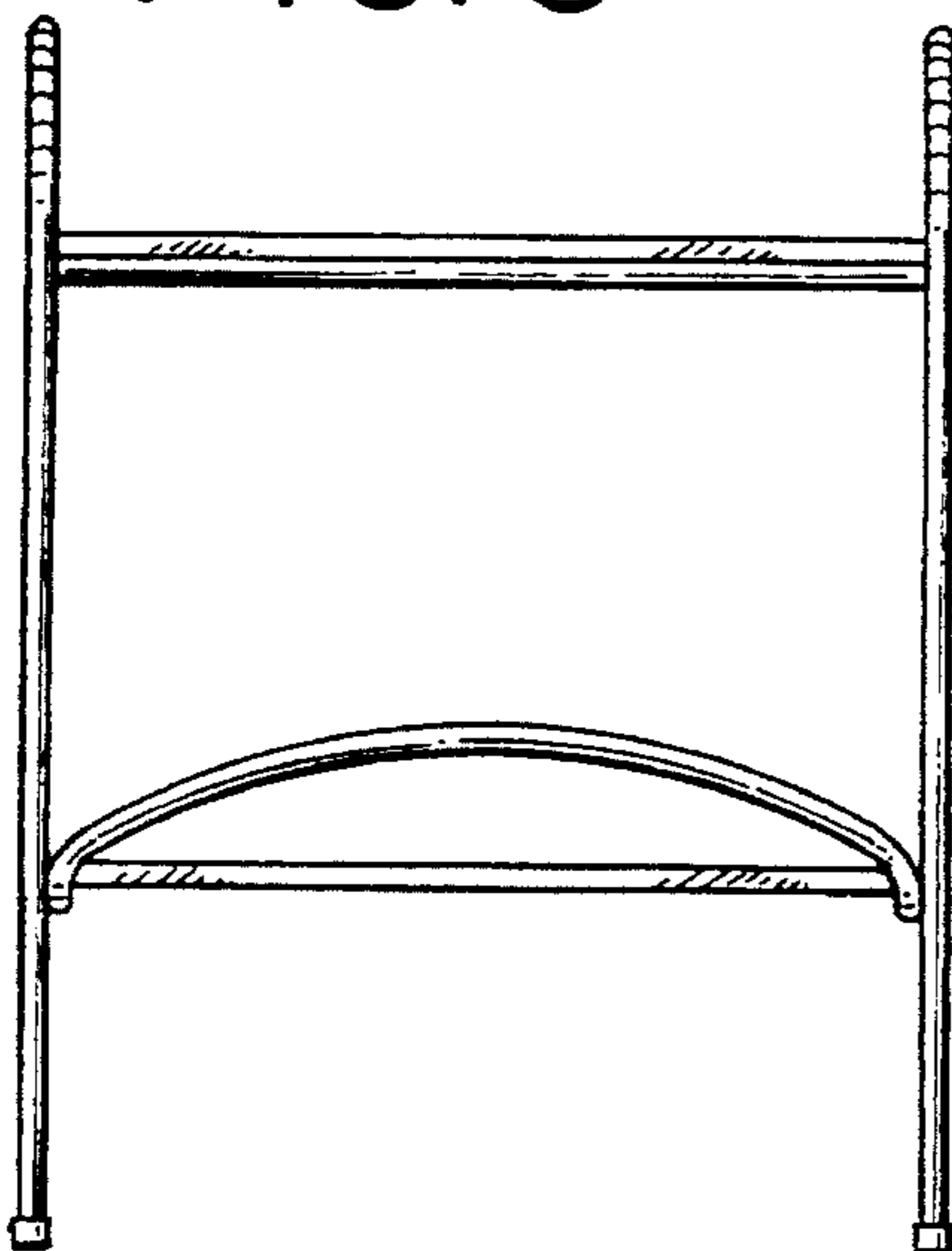


FIG. 4

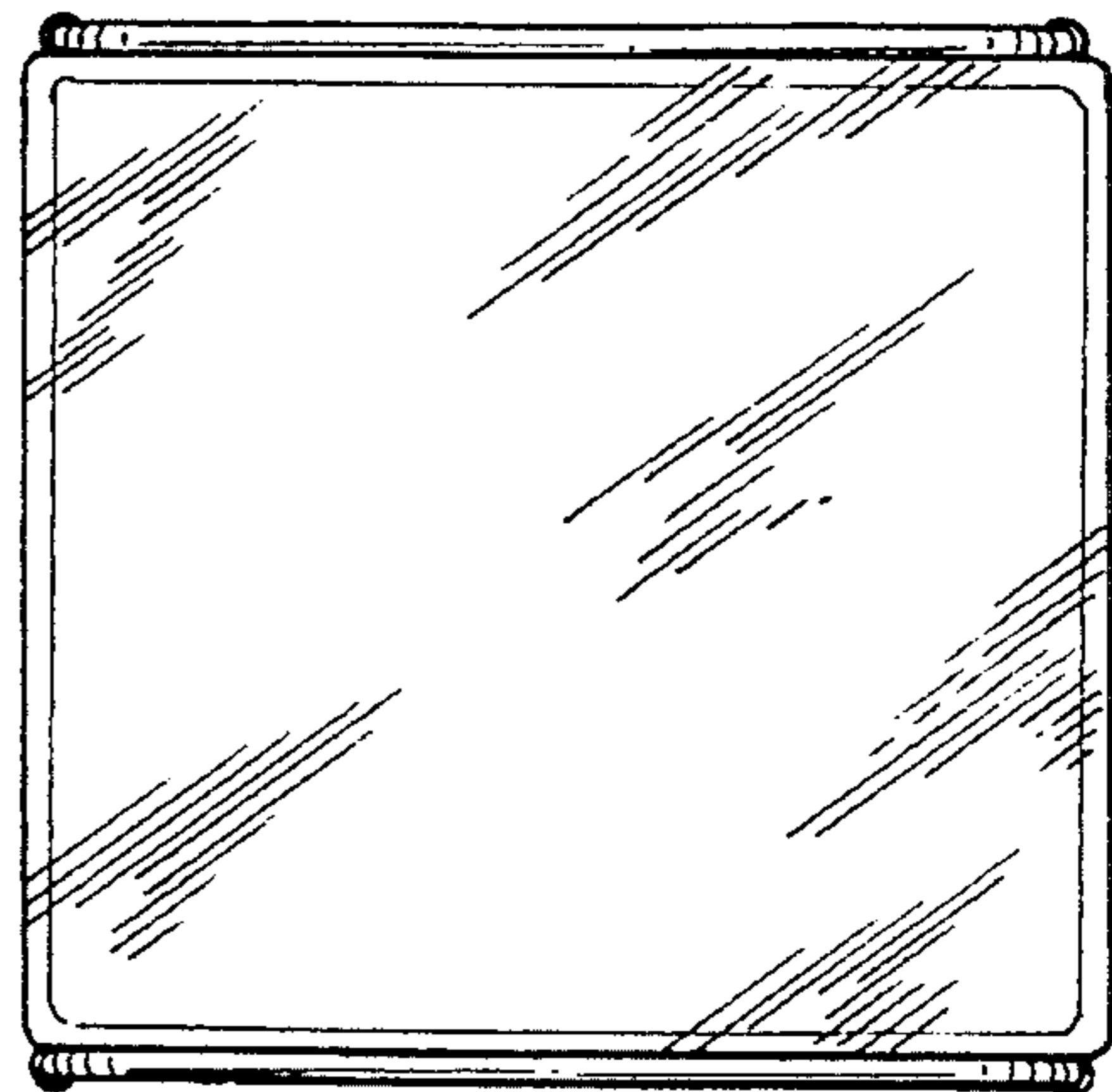


FIG. 5

