



US00D363615S

United States Patent [19]

Vukelich, Sr.

[11] Patent Number: **Des. 363,615**

[45] Date of Patent: ****Oct. 31, 1995**

[54] **PLANT AND FLOWER STAND**

[76] Inventor: **Mike J. Vukelich, Sr.**, P.O. Box 20060,
El Sobrante, Calif. 94820

[**] Term: **14 Years**

[21] Appl. No.: **21,929**

[22] Filed: **Apr. 26, 1994**

[52] U.S. Cl. **D6/405; D6/465**

[58] Field of Search D6/405, 407, 462,
D6/455, 457, 458, 463-465, 479, 566-567,
570, 572, 477-478; D7/704; 211/181; 108/59

[56] **References Cited**

U.S. PATENT DOCUMENTS

D. 100,444	7/1936	Sherrick	D6/462
D. 148,377	1/1948	Meehan	D7/704 X
D. 266,130	9/1982	Gimmi et al.	D6/556
D. 295,472	5/1988	Remmers	D6/465
D. 313,898	1/1991	Vukelich, Sr.	D6/405
D. 320,901	10/1991	Yau Kee	D6/479

Primary Examiner—Alan P. Douglas
Assistant Examiner—Cathron B. Matta

Attorney, Agent, or Firm—Bielen, Peterson & Lampe

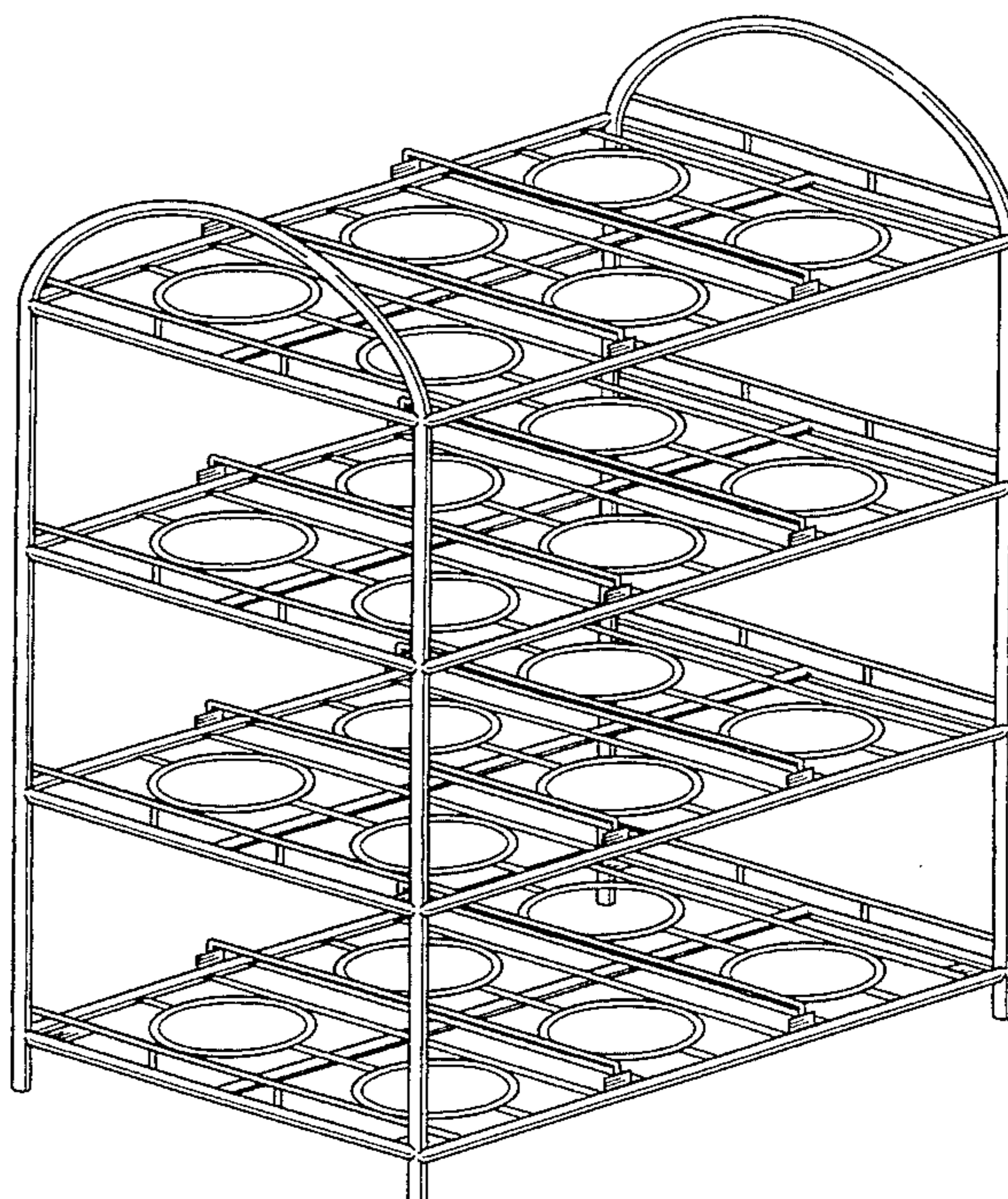
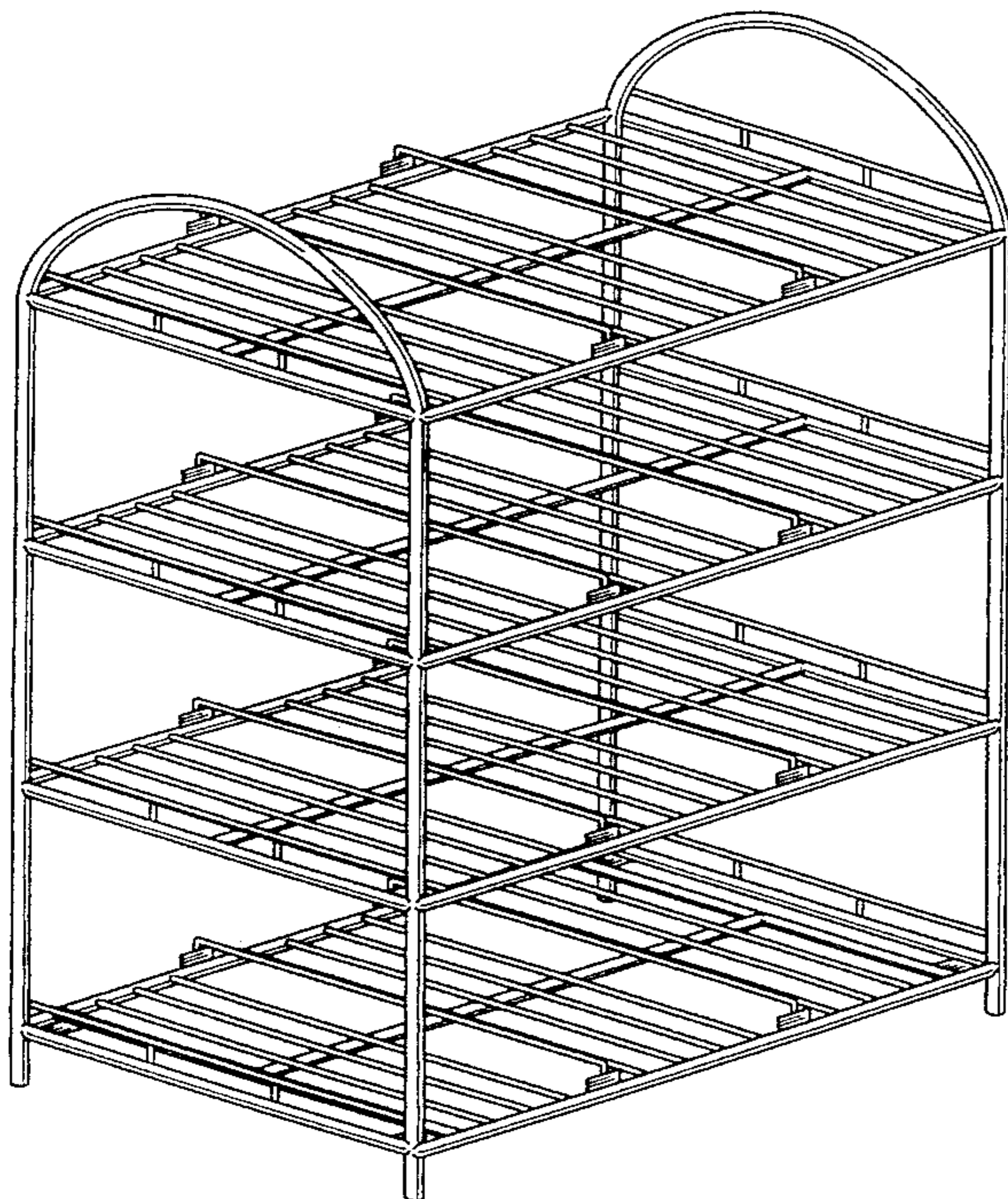
[57] **CLAIM**

The ornamental design for an plant and flower stand, as shown and described.

DESCRIPTION

FIG. 1 is a flat perspective view of a first embodiment of a plant and flower stand showing my new design;
 FIG. 2 is a top plan view of the embodiment of FIG. 1;
 FIG. 3 is a bottom plan view of the embodiment of FIG. 1;
 FIG. 4 is a front elevational view of the embodiment of FIG. 1;
 FIG. 5 is a side elevational view of the embodiment of FIG. 1;
 FIG. 6 is a front perspective view of a second embodiment of a plant and flower stand showing the new design of the article of FIG. 1;
 FIG. 7 is a top plan view of the embodiment of FIG. 2; and,
 FIG. 8 is a bottom plan view of the embodiment of FIG. 2.
 The side and front elevations for the second embodiment have not been included as they are identical to the side and front elevations of the first embodiment.

1 Claim, 3 Drawing Sheets



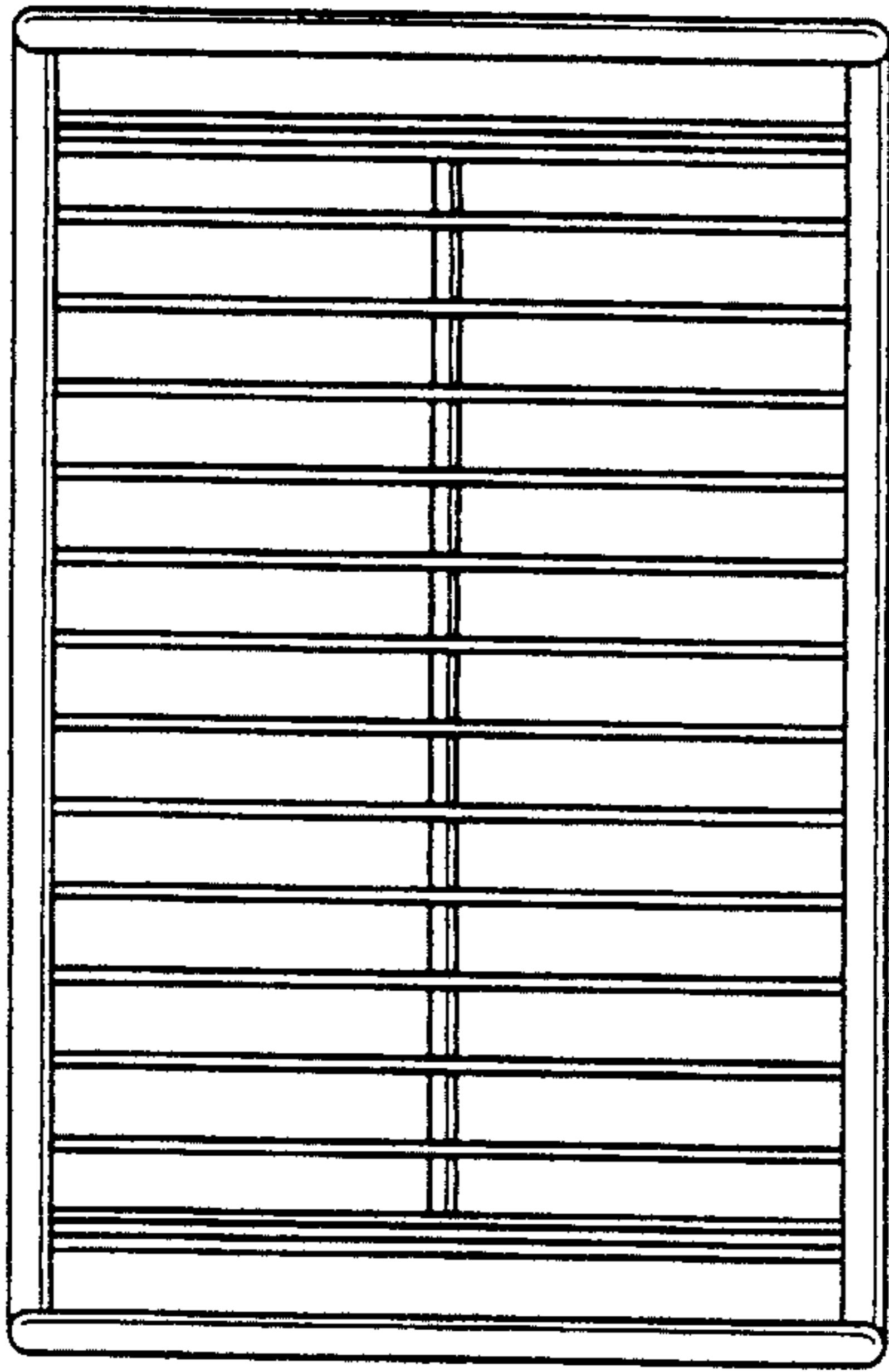


Fig 2

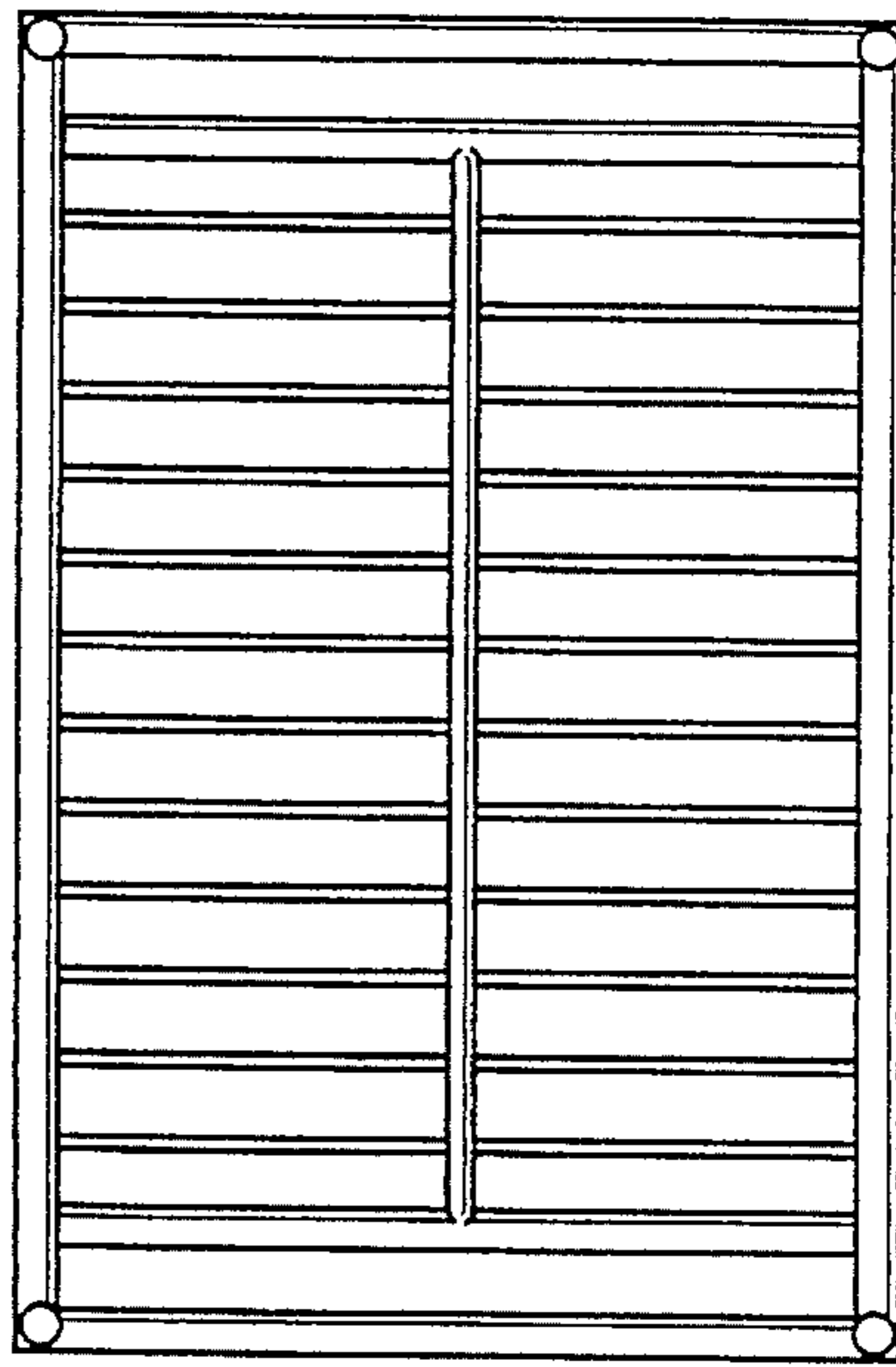


Fig 3

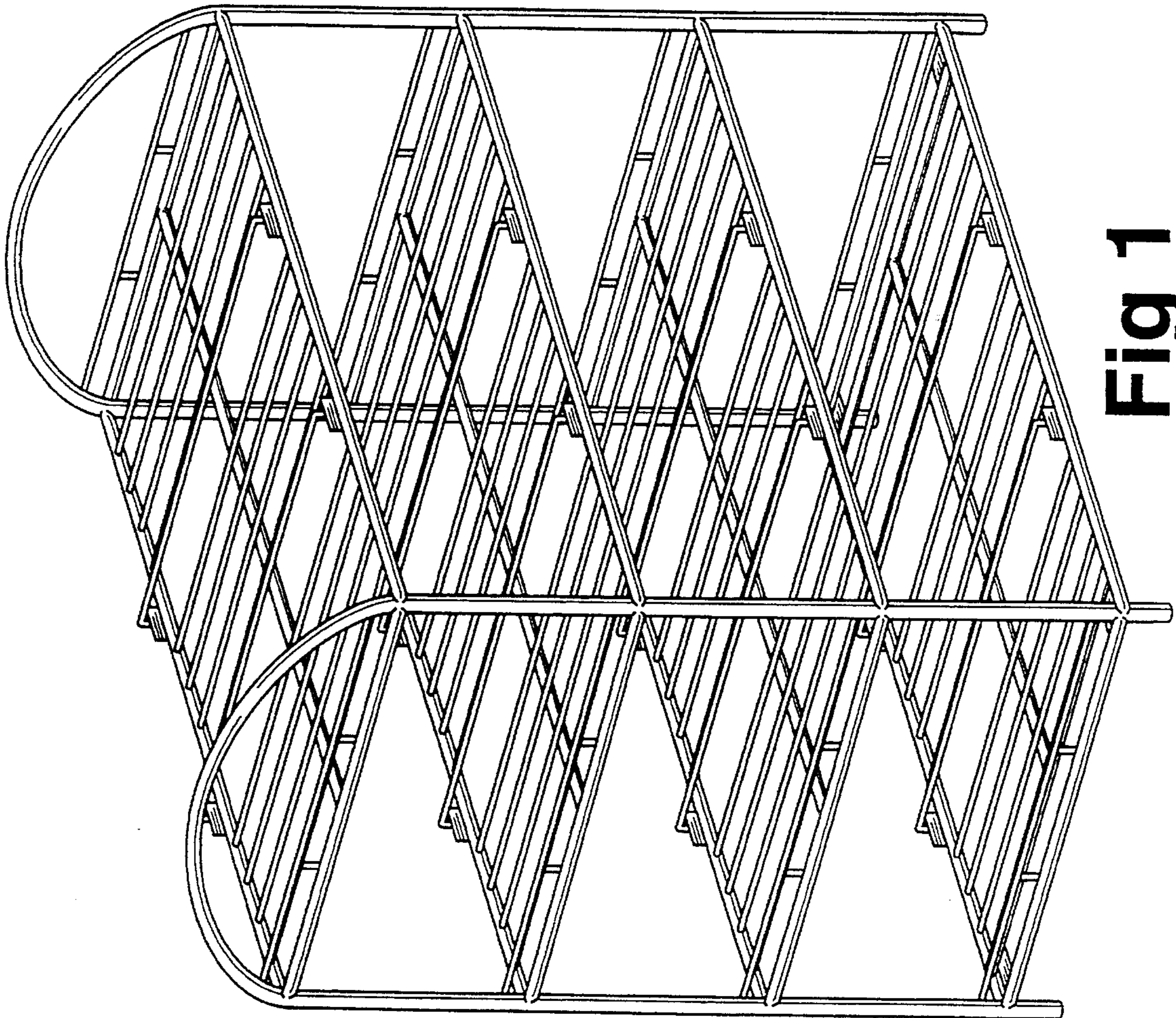


Fig 1

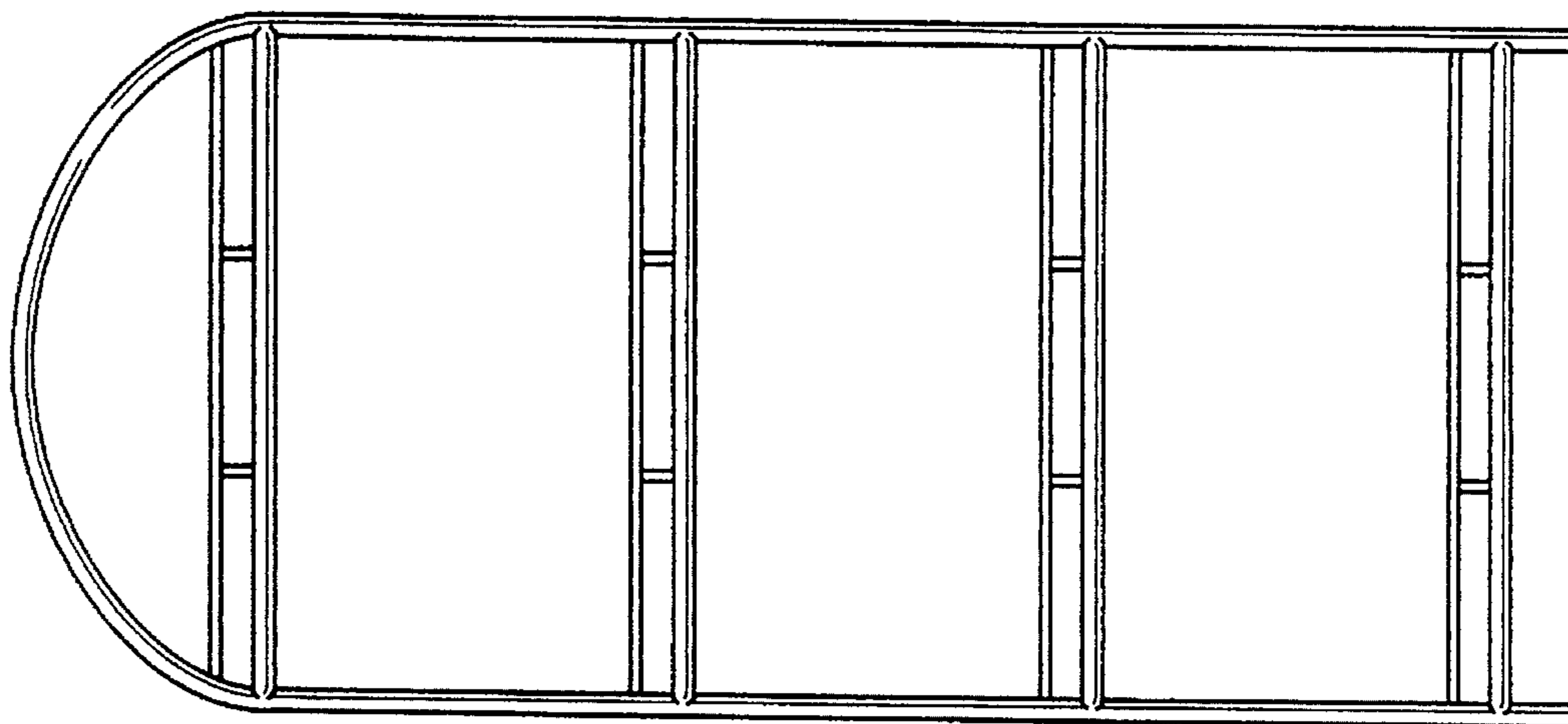


Fig 5

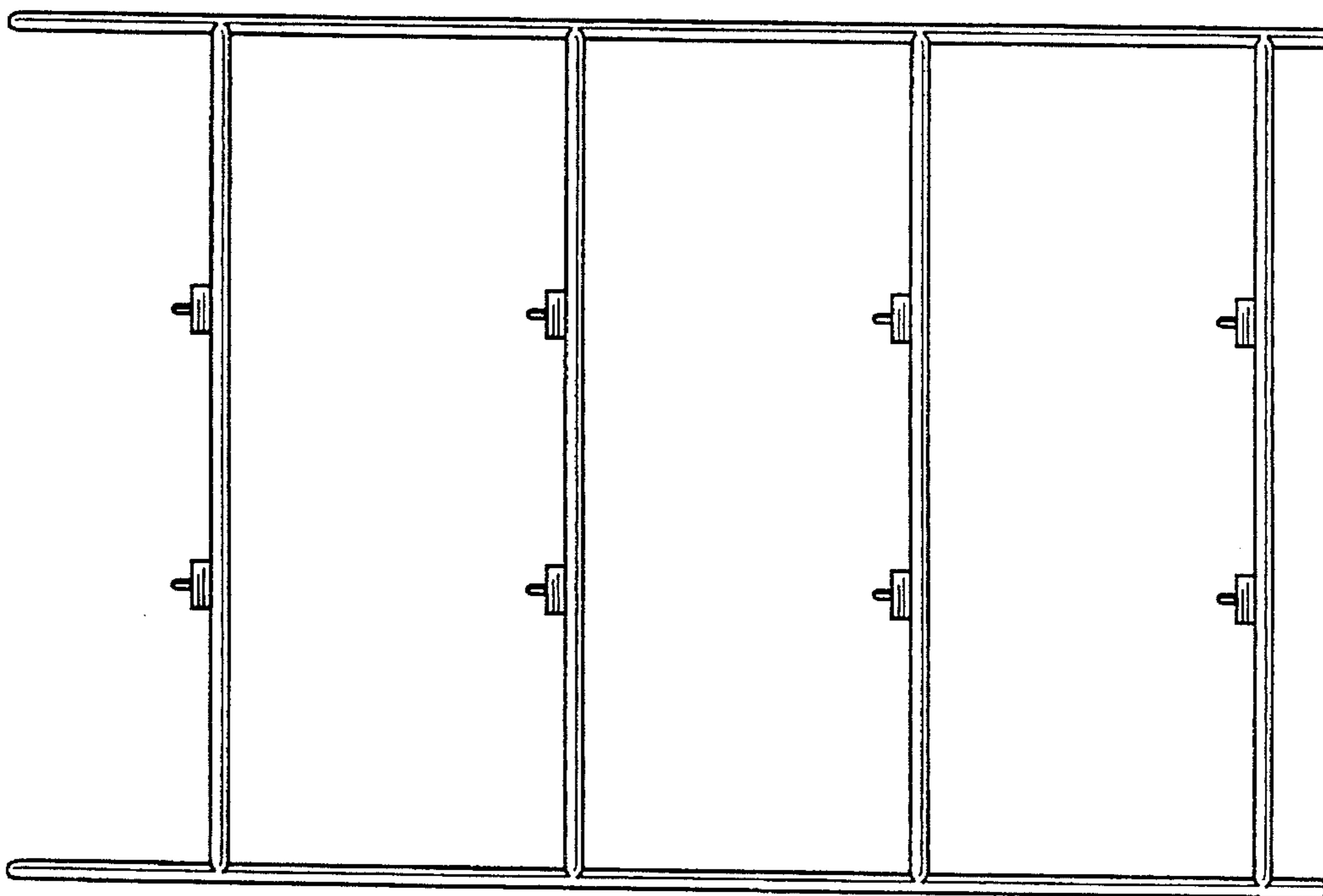


Fig 4

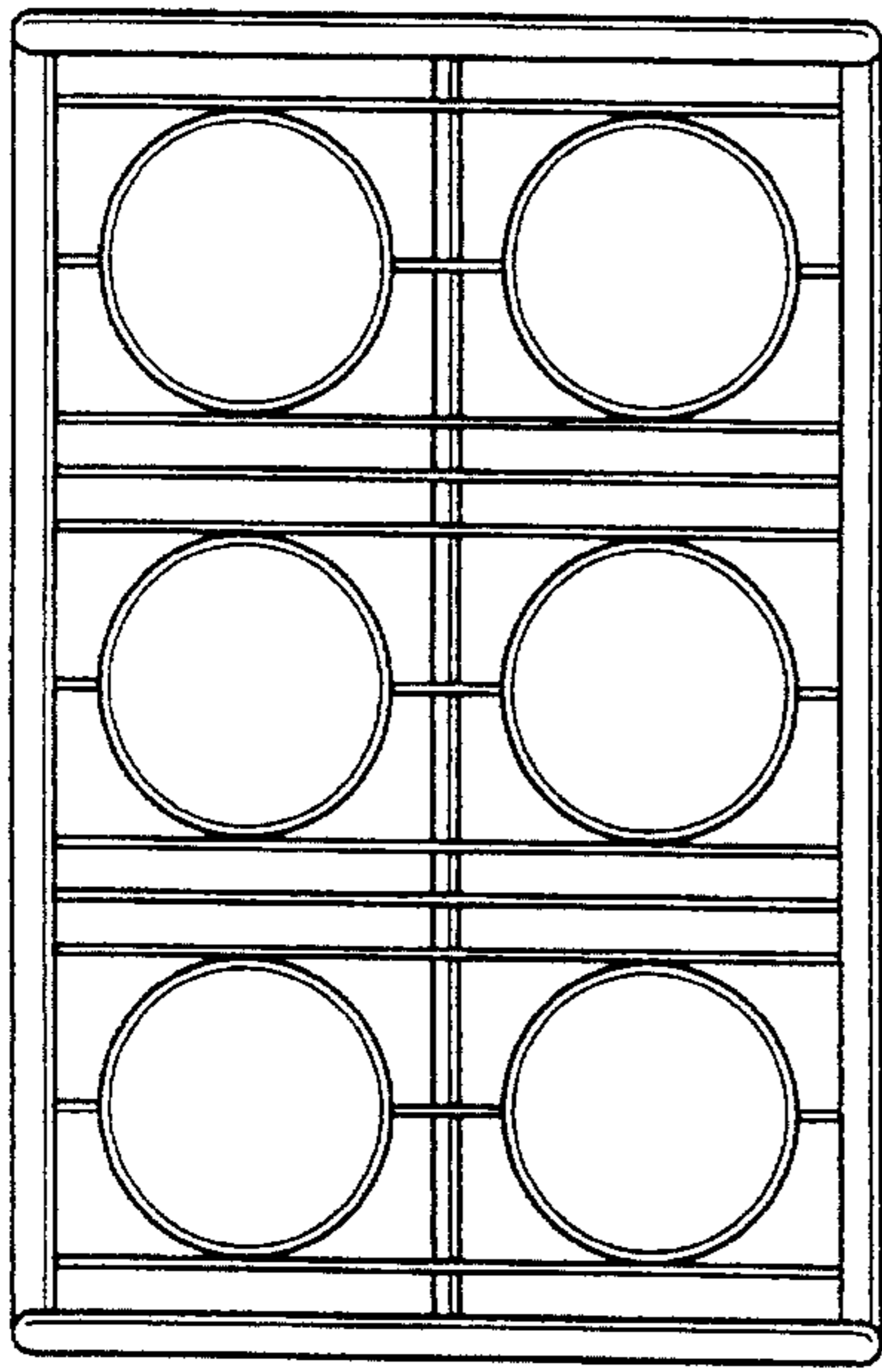


Fig 7

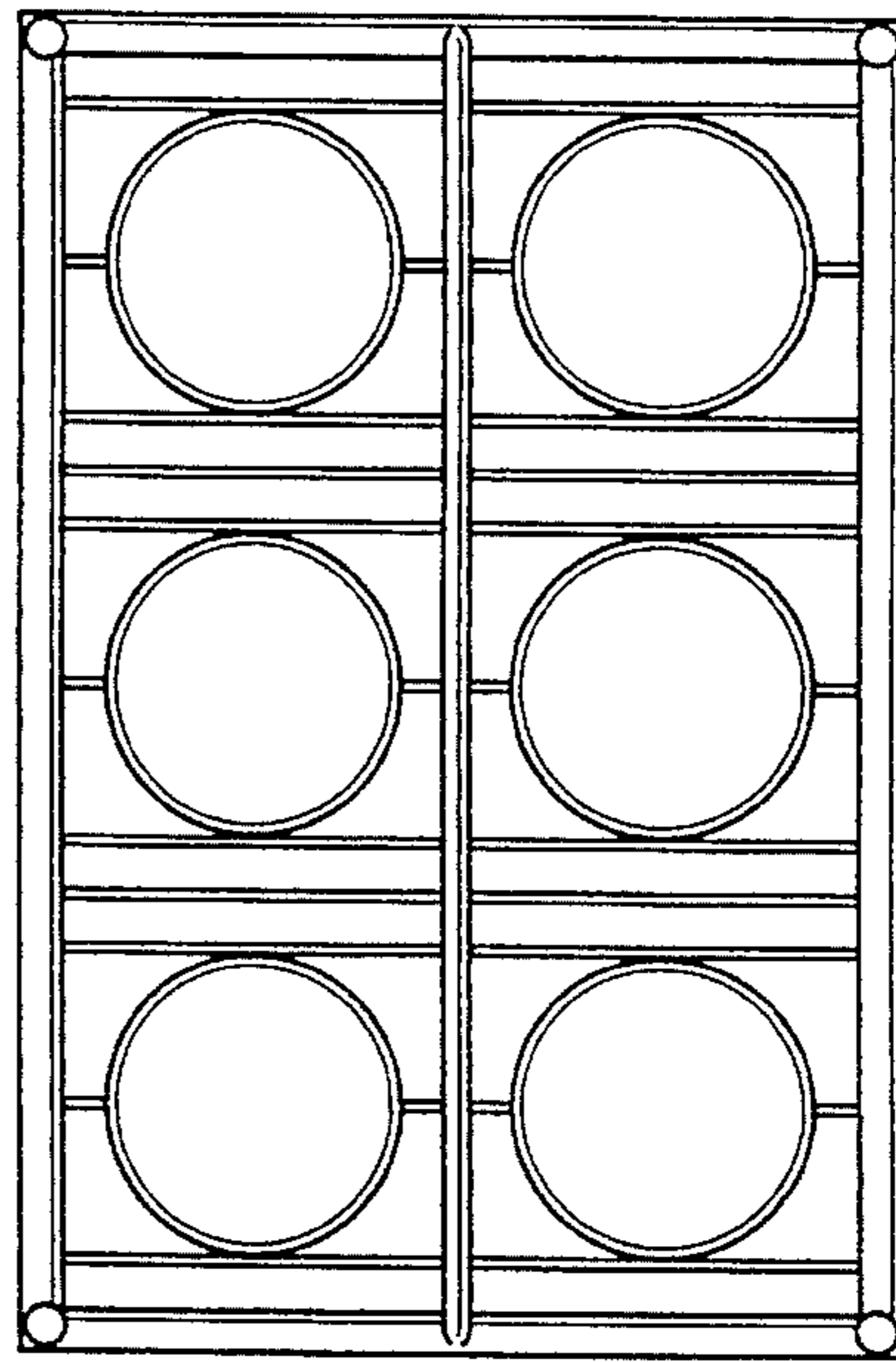


Fig 8

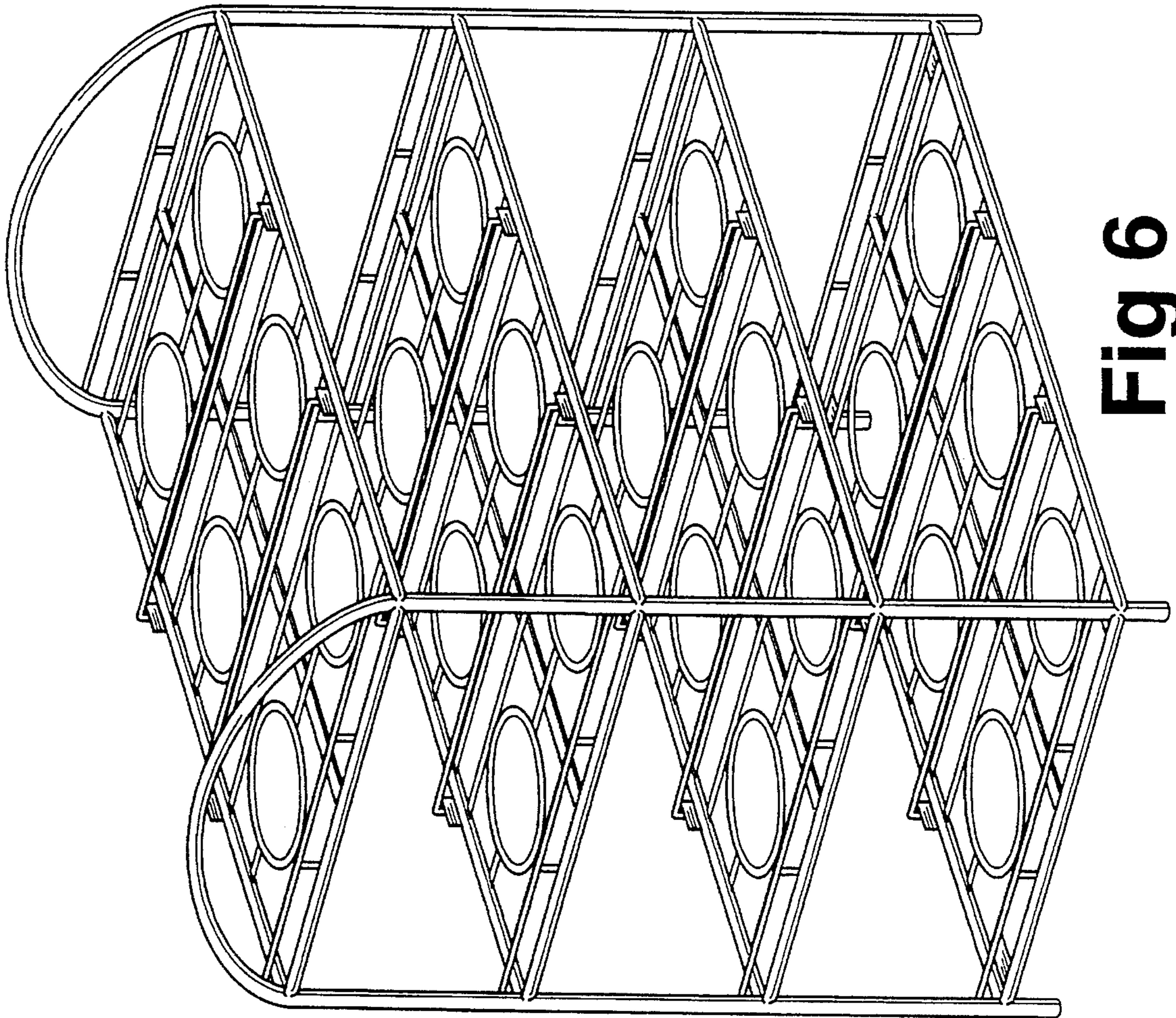


Fig 6