



US00D363612S

# United States Patent [19]

[11] Patent Number: **Des. 363,612**

Lewis

[45] Date of Patent: **\*\*Oct. 31, 1995**

[54] MIRROR

Attorney, Agent, or Firm—Charles H. Schwartz; Ellsworth R. Roston

[76] Inventor: **Sally S. Lewis**, 8727 Melrose Ave., Los Angeles, Calif. 90069-5086

### [57] CLAIM

[\*\*] Term: **14 Years**

The ornamental design for a mirror, as shown and described.

[21] Appl. No.: **20,150**

### DESCRIPTION

[22] Filed: **Mar. 21, 1994**

[52] U.S. Cl. .... **D6/300; D6/303**

[58] Field of Search ..... D6/300, 303, 304, D6/306, 308-314, 444; 40/152, 152.1, 154, 155, 156, 157, 160

FIG. 1 illustrates a front perspective view of a mirror according to my new design;

FIG. 2 is a front elevational view thereof;

FIG. 3 is a top plan view thereof;

FIG. 4 is a side elevational view thereof, the opposite side being a mirror image;

FIG. 5 is a bottom plan view thereof; and,

FIG. 6 is a cross-sectional view thereof taken along lines 6-6 of FIG. 1.

### [56] References Cited

#### U.S. PATENT DOCUMENTS

D. 137,533	3/1944	Blanchette	.....	D6/300
D. 137,910	5/1944	Blanchette	.....	D6/300
780,052	1/1905	Mohlberg	.....	40/155

#### OTHER PUBLICATIONS

Exposures—Winter 1990, p. 44, #B at top of page.  
Turner Mfg. Co. Mar. 19, 1973, #A708 at top left.

The rear of the article is plain and unornamented.

Primary Examiner—Janice E. Seeger

1 Claim, 3 Drawing Sheets

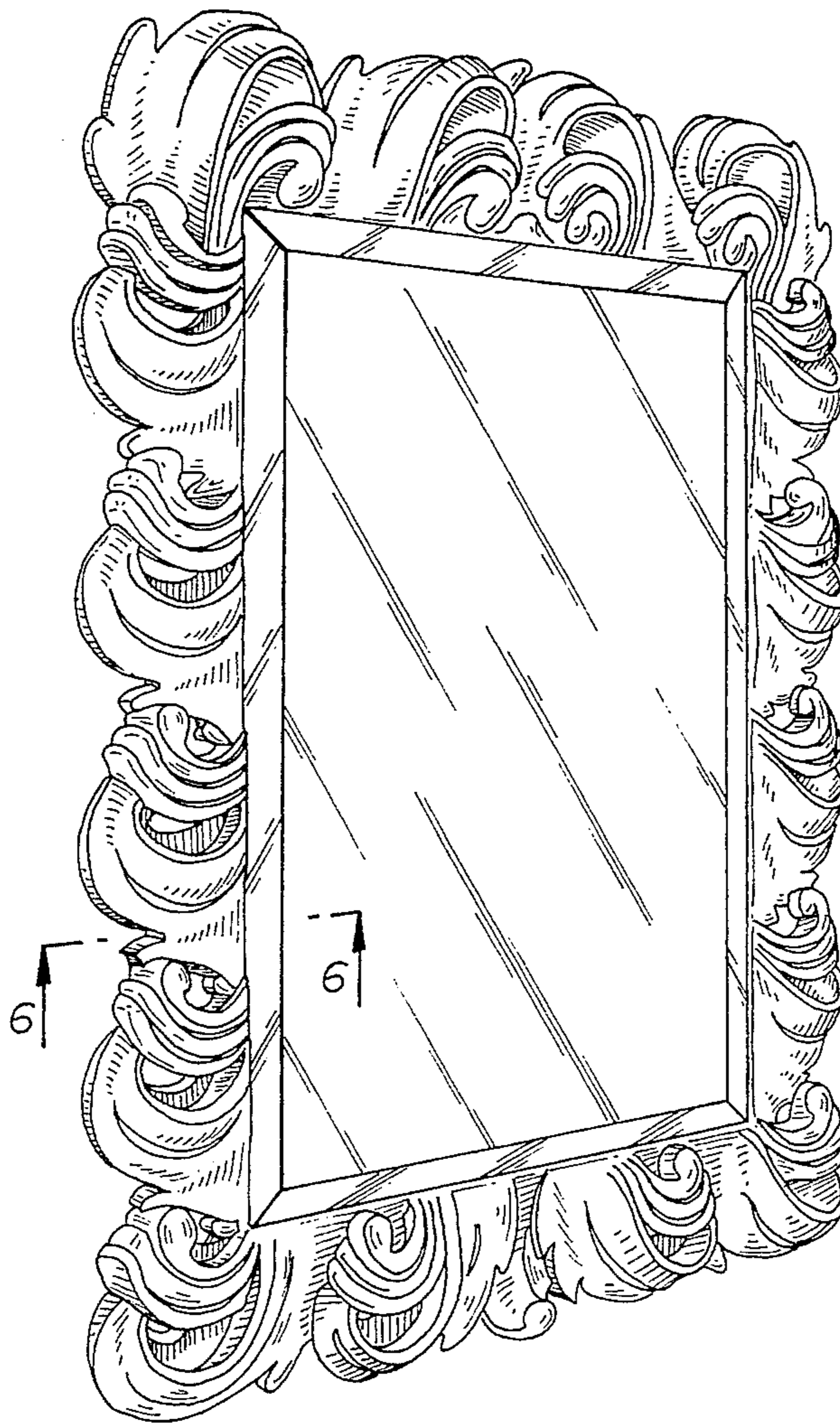


FIG. 1

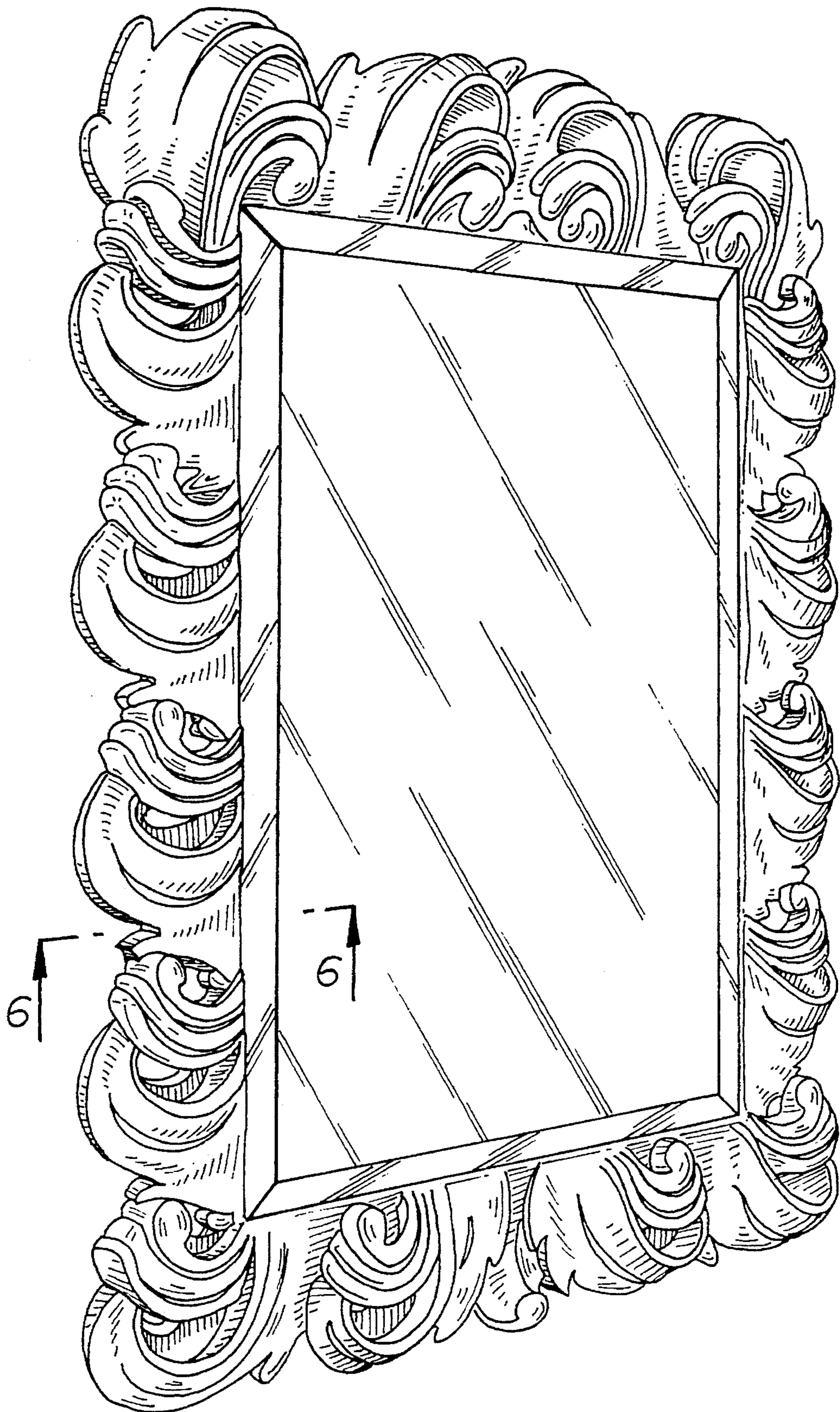




FIG. 3

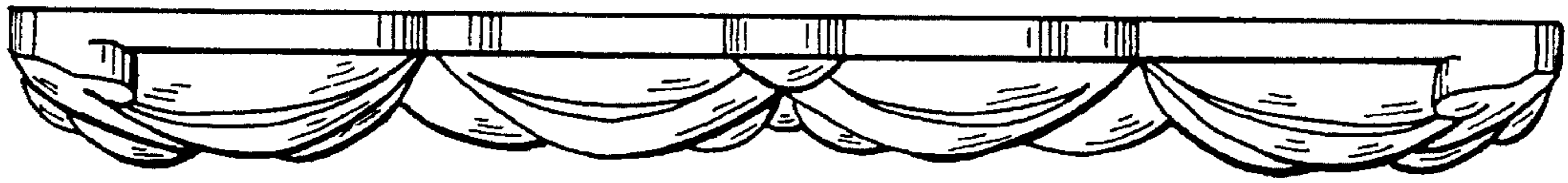
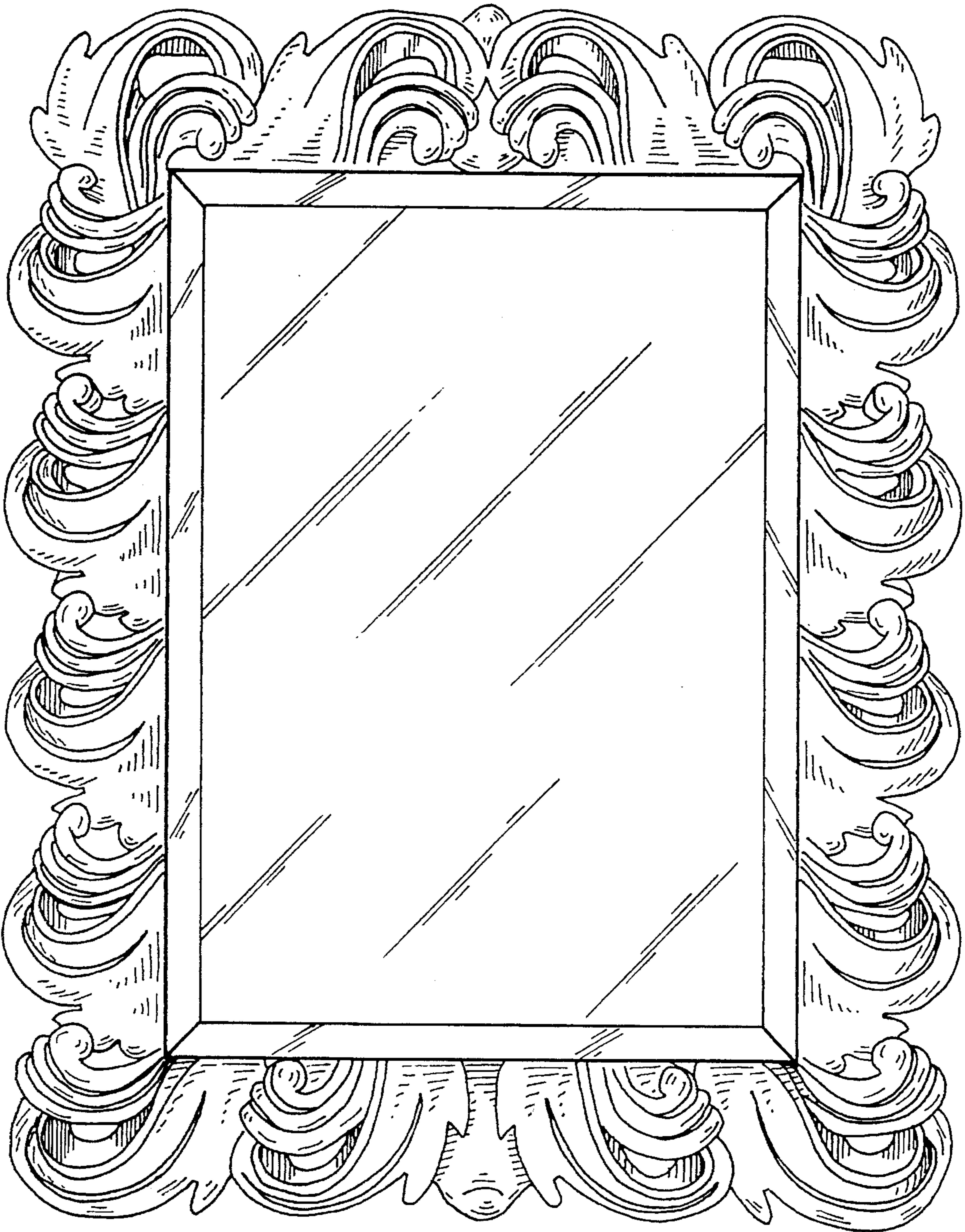


FIG. 2



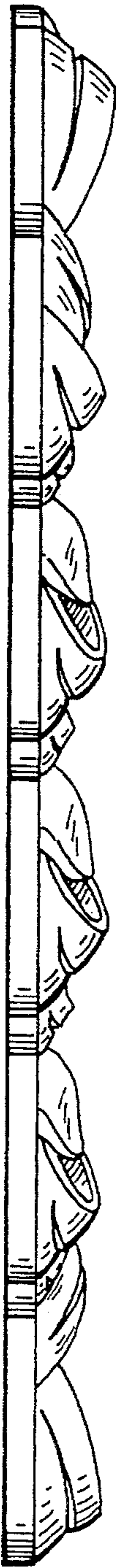


FIG 4

FIG. 6

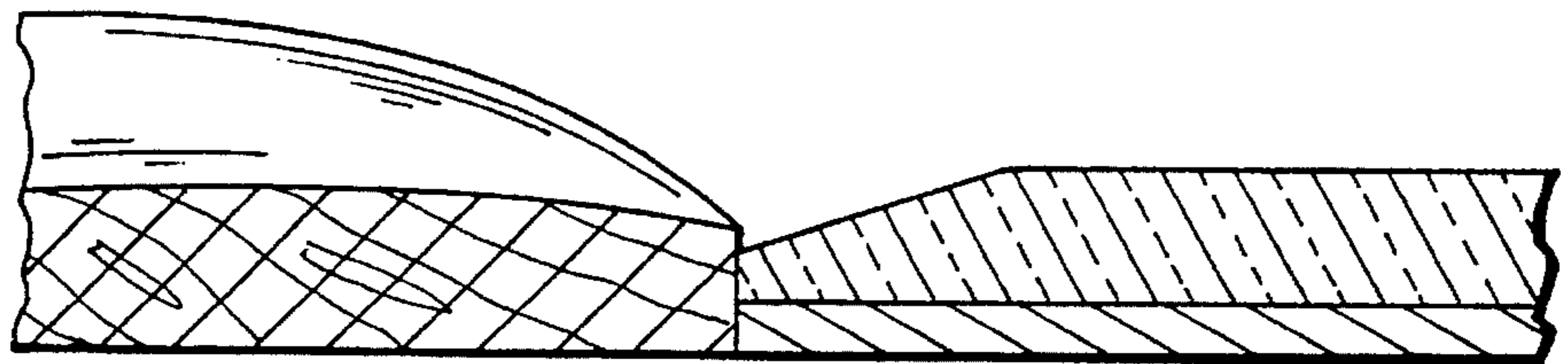


FIG. 5

