



US00D363608S

United States Patent [19]

[11] Patent Number: **Des. 363,608**

Lessmann

[45] Date of Patent: ****Oct. 31, 1995**

[54] **COMBINED SUEDE BRUSH AND SCRAPER**

648340 1/1951 United Kingdom 15/106
691385 5/1953 United Kingdom 15/106

[75] Inventor: **Jurgen Lessmann, Oettingen, Germany**

Primary Examiner—A. Hugo Word
Assistant Examiner—Lavone D. Tabor
Attorney, Agent, or Firm—Davis, Bujold & Streck

[73] Assignee: **Lessmann GmbH, Germany**

[**] Term: **14 Years**

[57] CLAIM

[21] Appl. No.: **16,425**

The ornamental design for a combined suede brush and scraper, as shown and described.

[22] Filed: **Dec. 15, 1993**

[52] U.S. Cl. **D4/118; D4/136; D32/42**

DESCRIPTION

[58] **Field of Search** D4/116, 118-120,
D4/130, 132-134, 136, 138; D32/40, 42,
46, 48-49; 15/105-106, 110-111, 113,
143.1, 159.1, 160, 186-188

FIG. 1 is a front elevational view of a combined suede brush and scraper showing my new design;
FIG. 2 is a bottom plan view thereof;
FIG. 3 is a rear elevational view thereof;
FIG. 4 is a top plan view thereof;
FIG. 5 is a right side elevational view thereof; and,
FIG. 6 is a left side elevational view thereof.

[56] References Cited

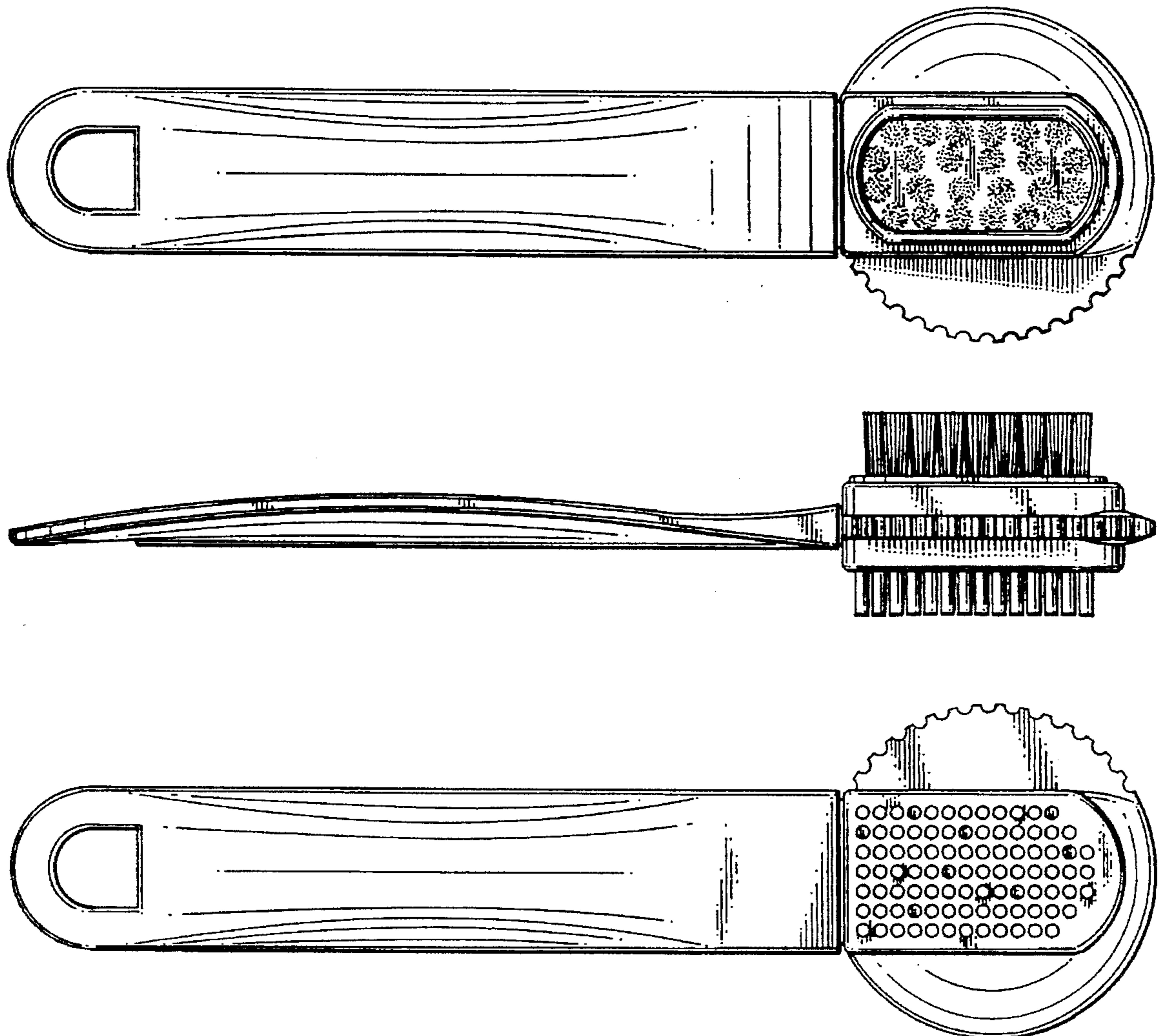
U.S. PATENT DOCUMENTS

1,451,322 4/1923 Burrell 15/110

FOREIGN PATENT DOCUMENTS

495982 11/1938 United Kingdom 15/106

1 Claim, 1 Drawing Sheet



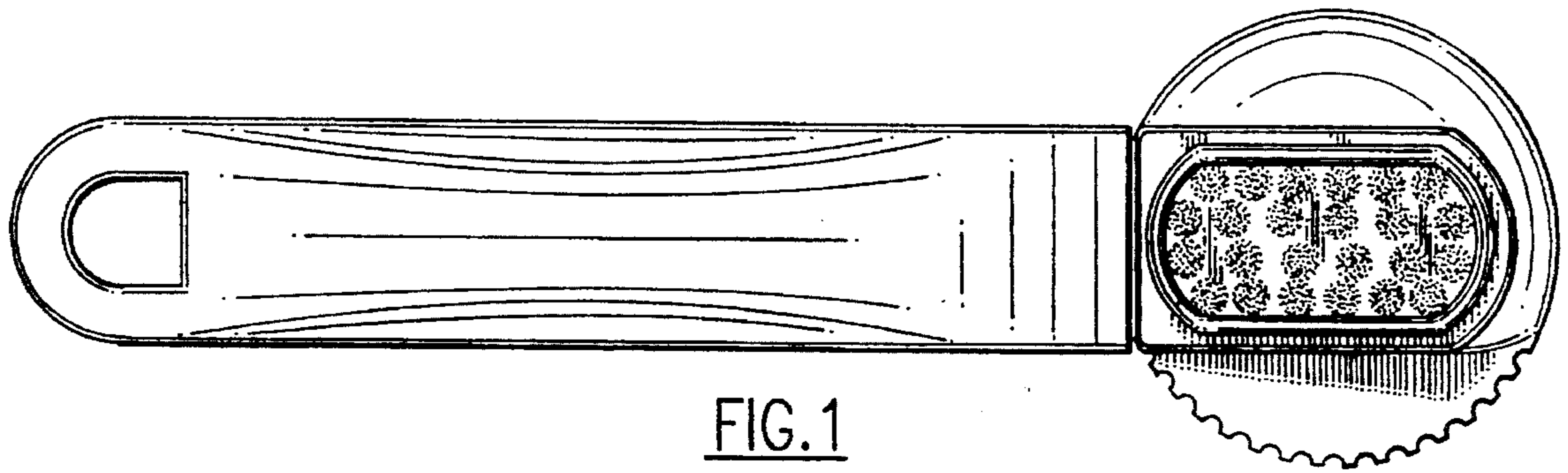


FIG. 1

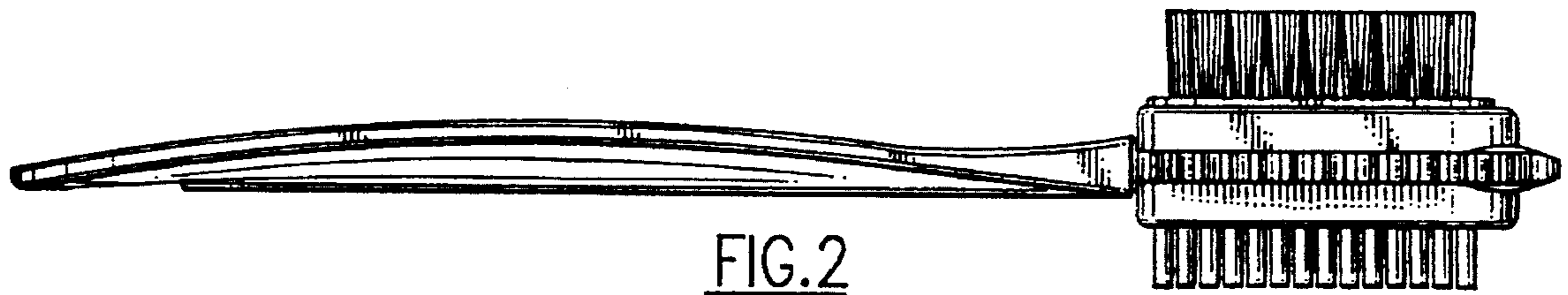


FIG. 2

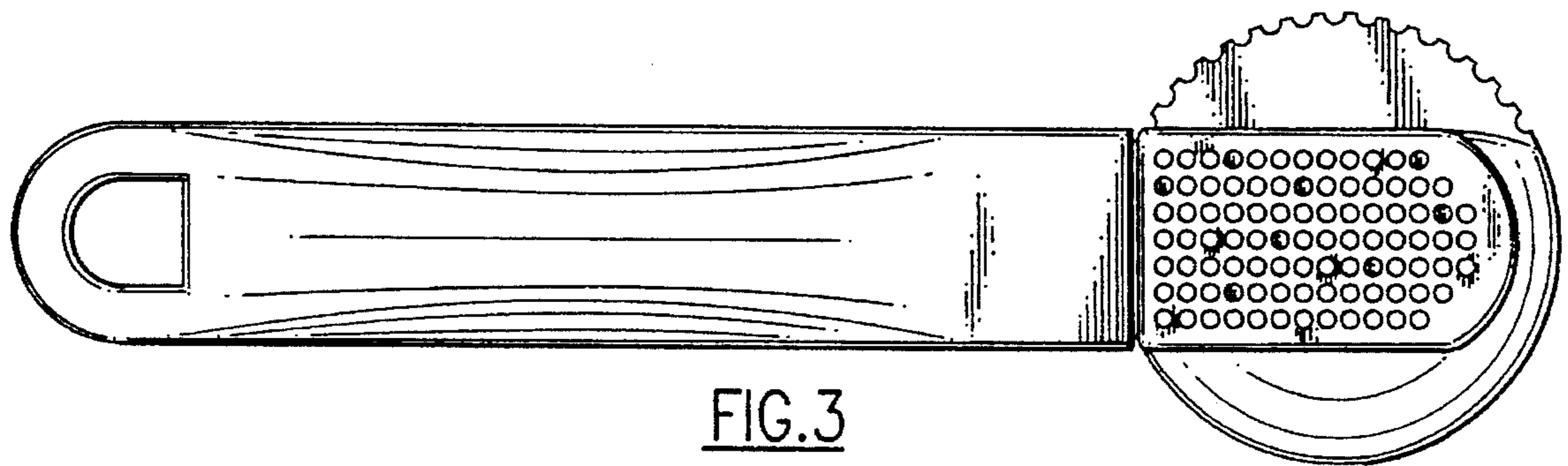


FIG. 3

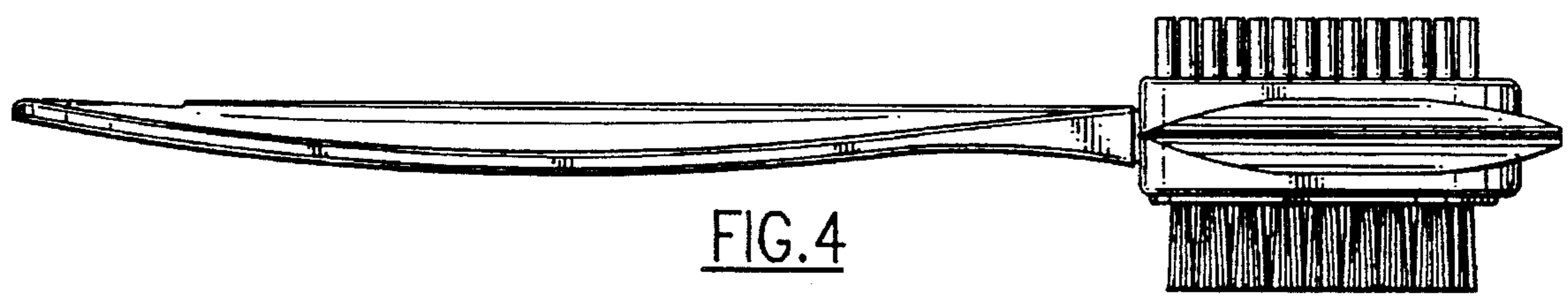


FIG. 4

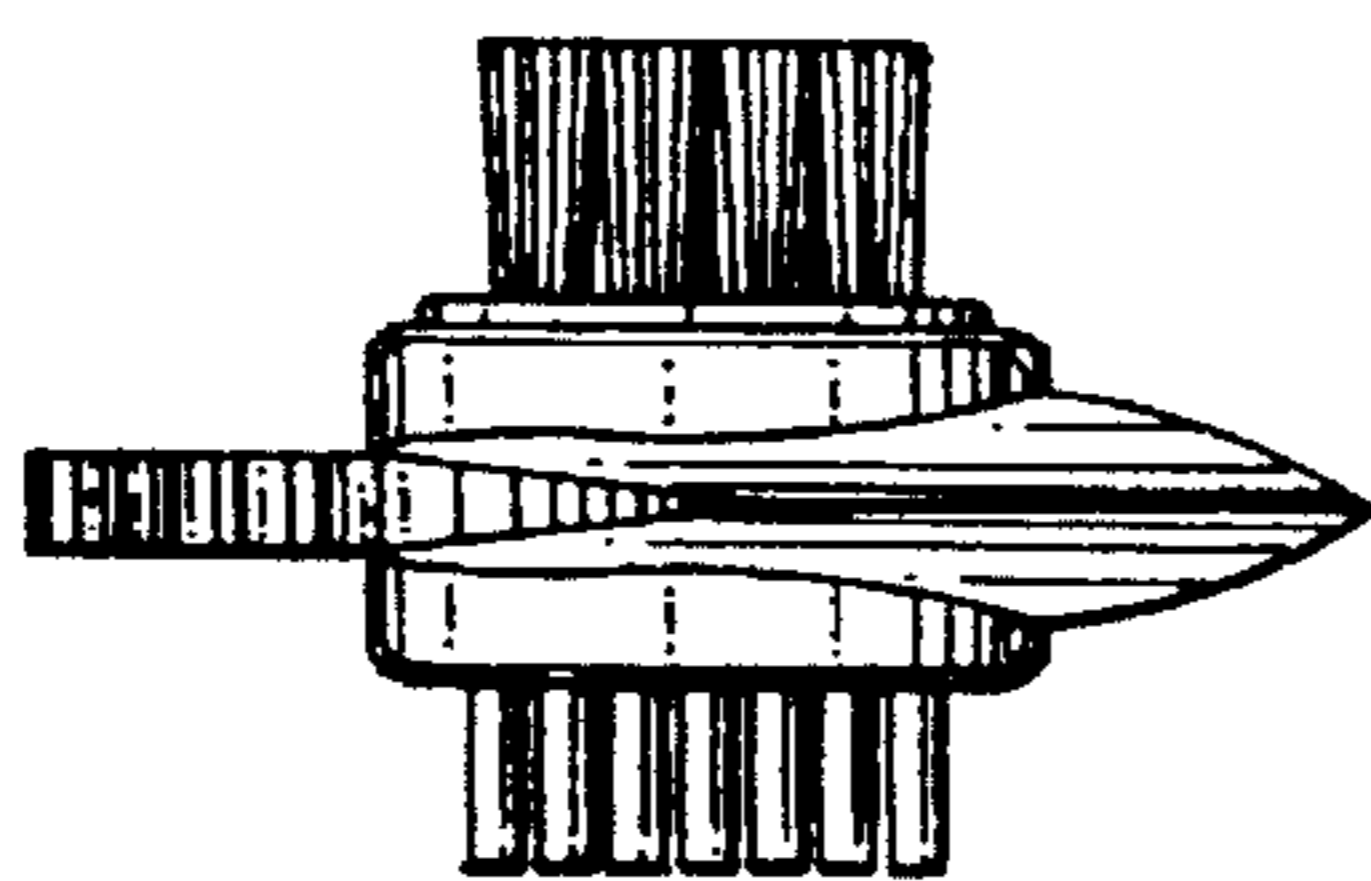


FIG. 5

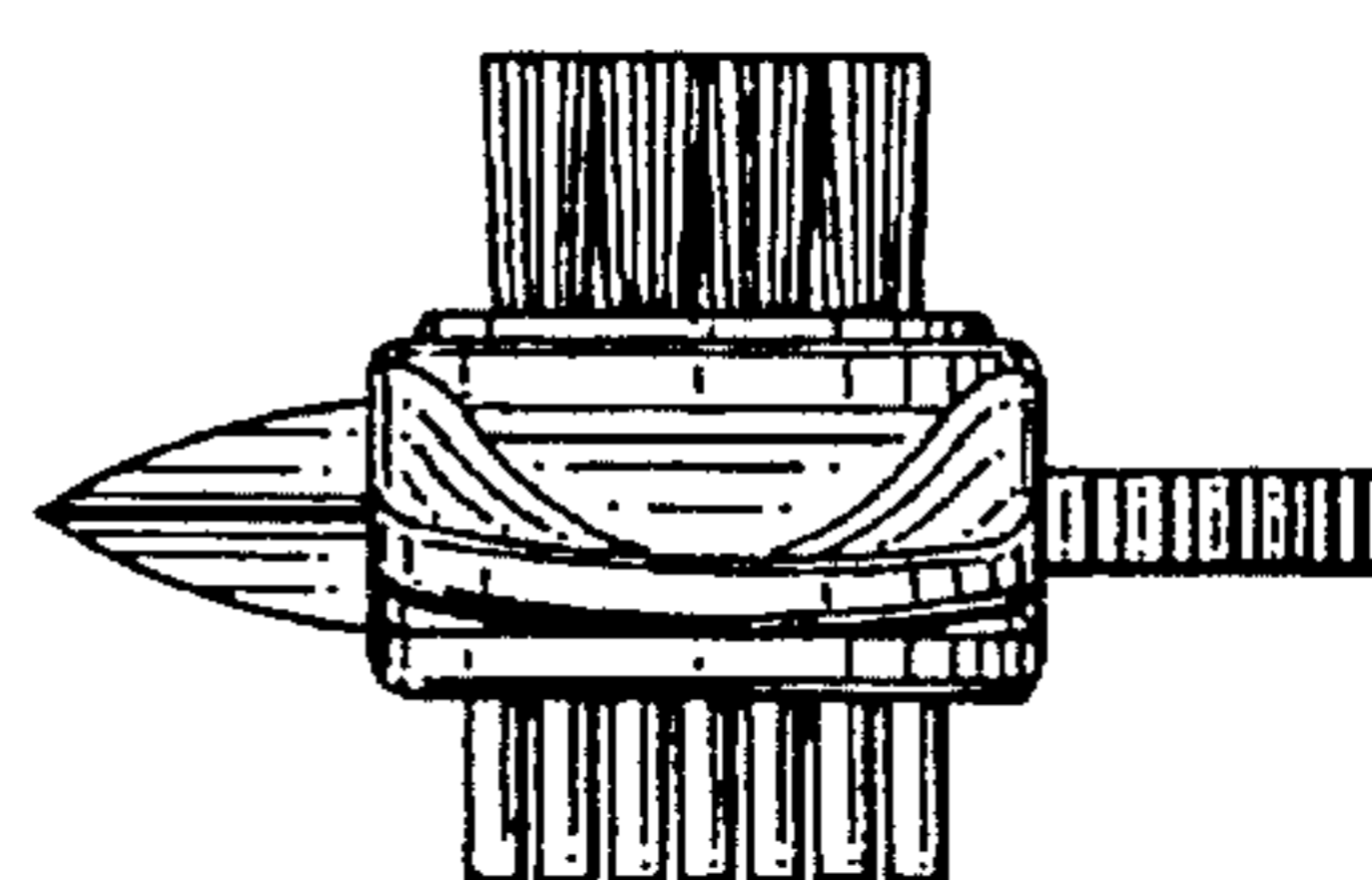


FIG. 6