



US00D363603S

# United States Patent [19]

[11] Patent Number: **Des. 363,603**

Leveen et al.

[45] Date of Patent: **\*\*Oct. 31, 1995**

[54] **PORTFOLIO**

[75] Inventors: **Steven Leveen; Lori G. Leveen**, both of Boca Raton; **Israel Pycher**, Plantation; **Chris Roncone**, Lake Worth; **Laura McColskey**, Palm Beach Gardens, all of Fla.

[73] Assignee: **Levenger Company**, Delray Beach, Fla.

[\*\*] Term: **14 Years**

[21] Appl. No.: **14,092**

[22] Filed: **Oct. 5, 1993**

[52] U.S. Cl. .... **D3/303; D3/900**

[58] Field of Search ..... **D3/303, 247, 283, D3/900; 150/131, 147-153; 190/111**

[56] **References Cited**

**U.S. PATENT DOCUMENTS**

D. 280,864 10/1985 Allen ..... D3/283  
4,872,538 10/1989 Fournier ..... 190/111

**OTHER PUBLICATIONS**

ScanCard "Pocket Organizer".  
ScanCard Wallet.  
"Memo Jotter", Perfect Gifts Catalog.

"Calf Pocket Jotter", Brooks Brothers catalog.  
"Battenkill Pocket Jotter", Battenkill catalog.

*Primary Examiner*—Theodore M. Shooman  
*Assistant Examiner*—Dominic Simone  
*Attorney, Agent, or Firm*—Quarles & Brady

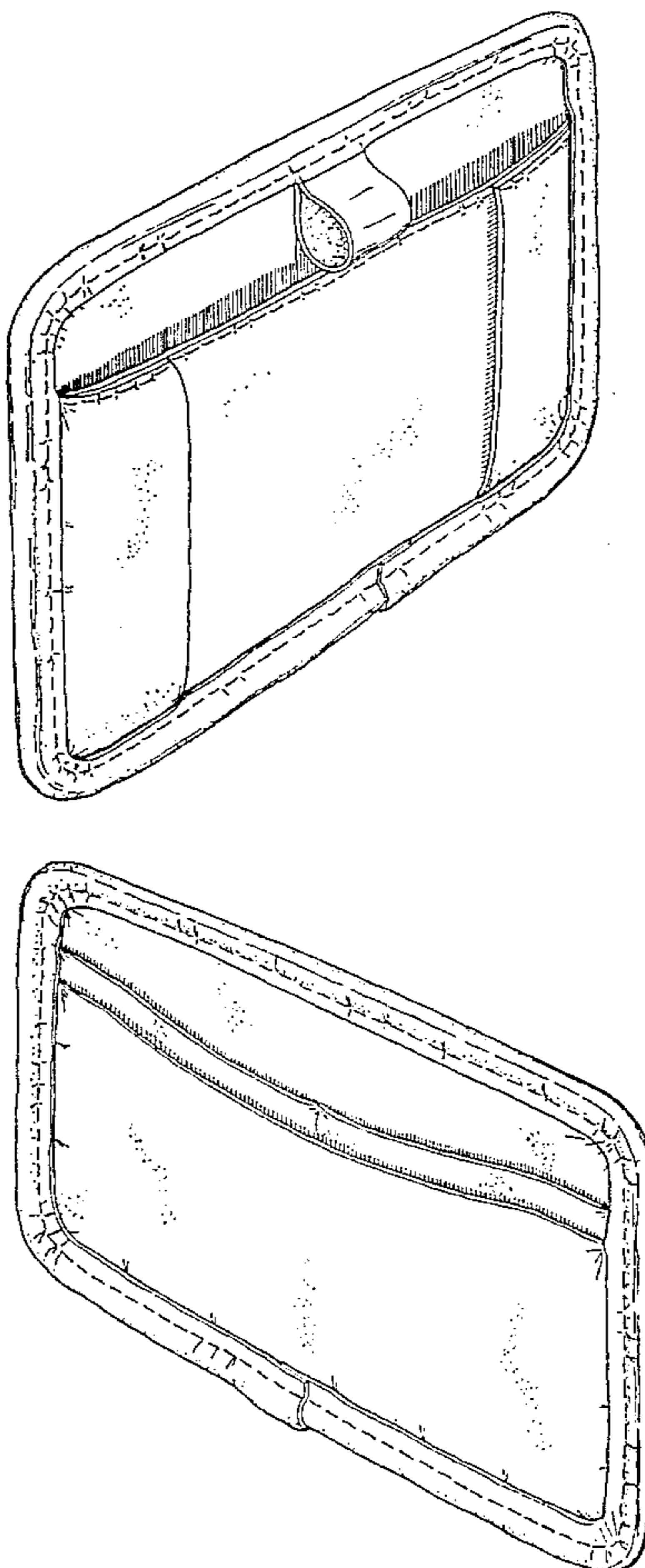
[57] **CLAIM**

The ornamental design for a portfolio, as shown and described.

**DESCRIPTION**

FIG. 1 is a front perspective view of our new design;  
FIG. 2 is a rear perspective view;  
FIG. 3 is a front elevation;  
FIG. 4 is a rear elevation;  
FIG. 5 is a top plan view;  
FIG. 6 is a bottom plan view;  
FIG. 7 is a right side elevation;  
FIG. 8 is a left side elevation;  
FIG. 9 is a front elevation, with stationery depicted therein in phantom; and,  
FIG. 10 is a rear elevation with business cards depicted therein in phantom.

**1 Claim, 4 Drawing Sheets**



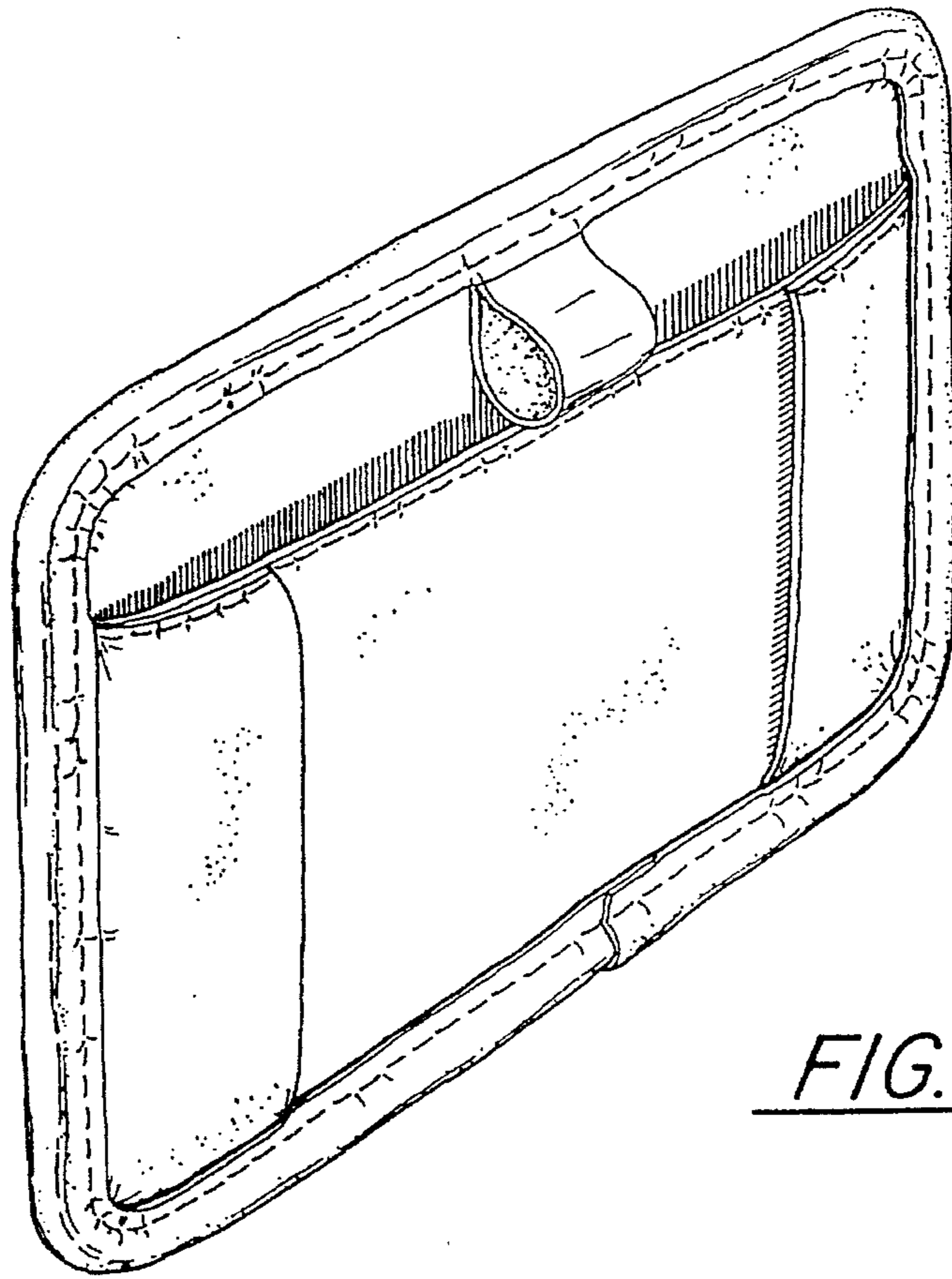


FIG. 1

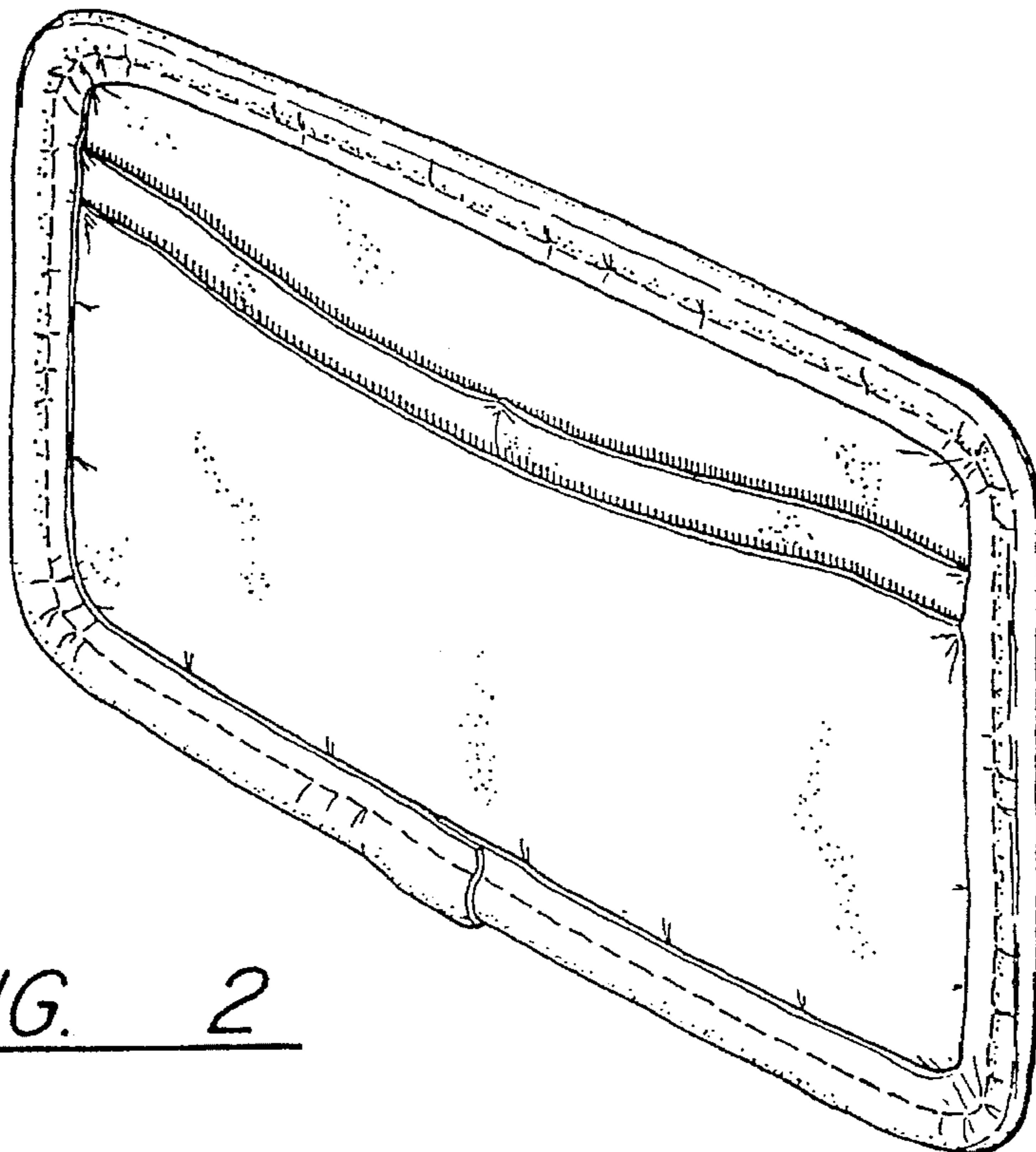


FIG. 2

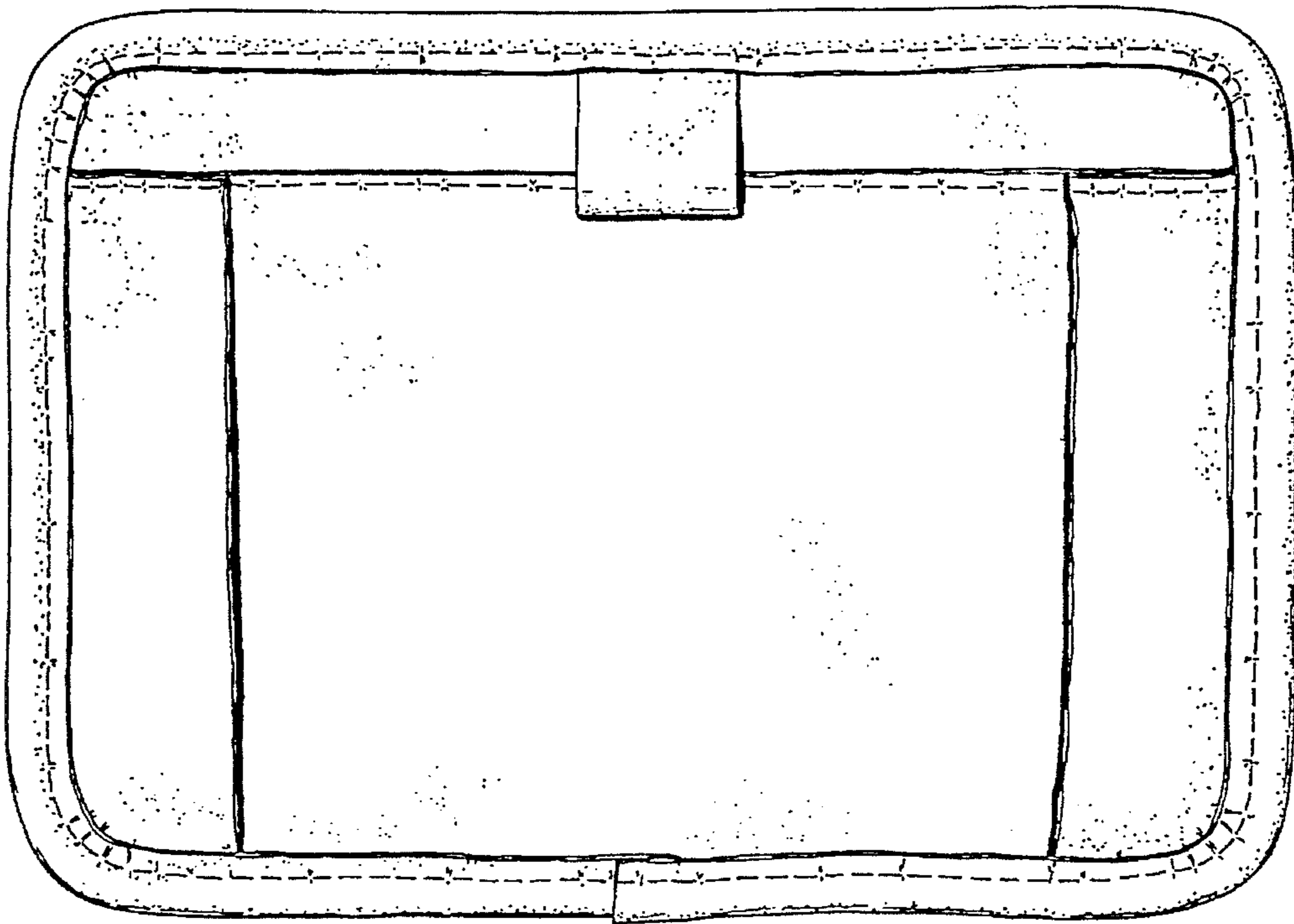


FIG. 3

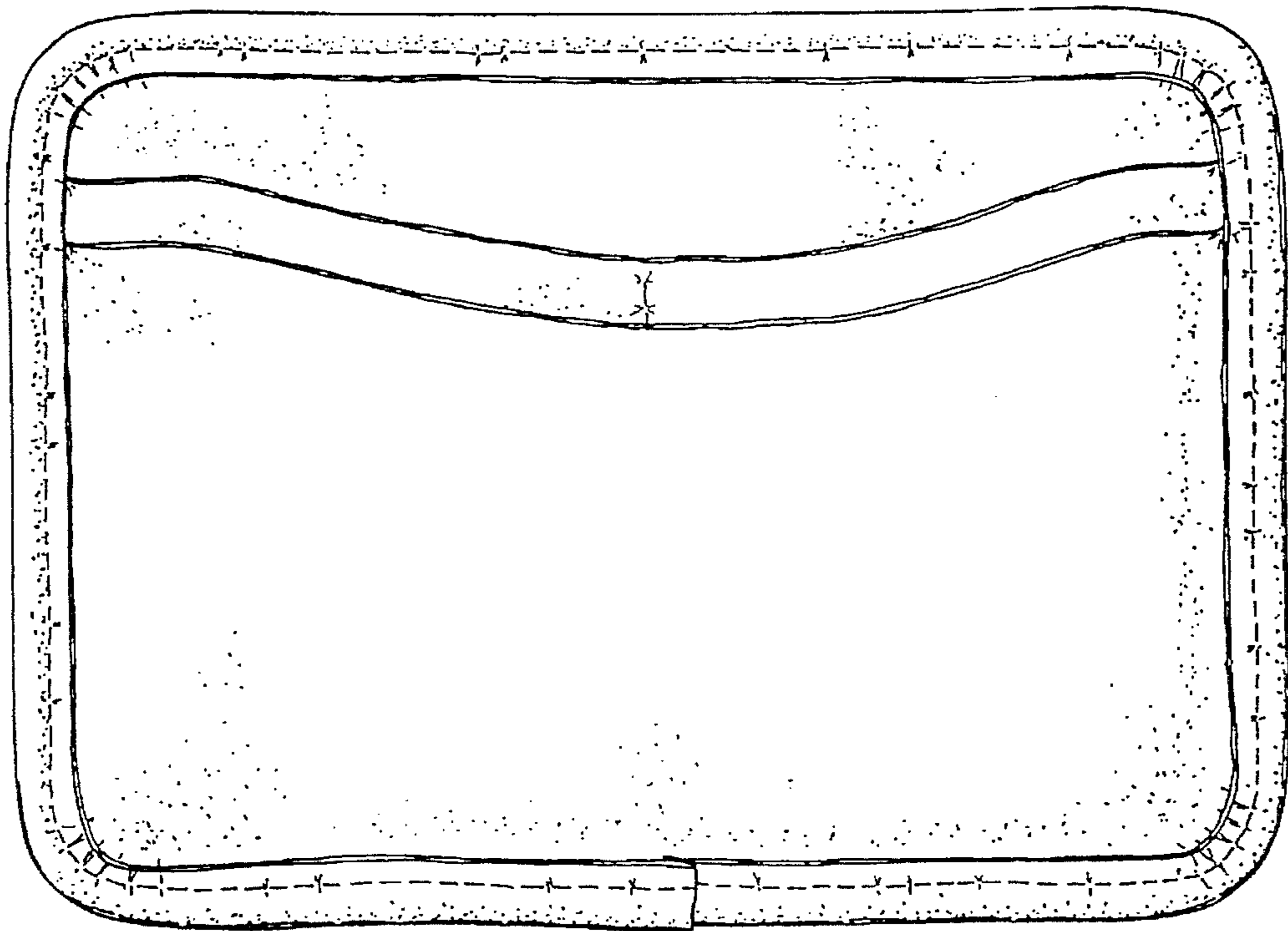


FIG. 4

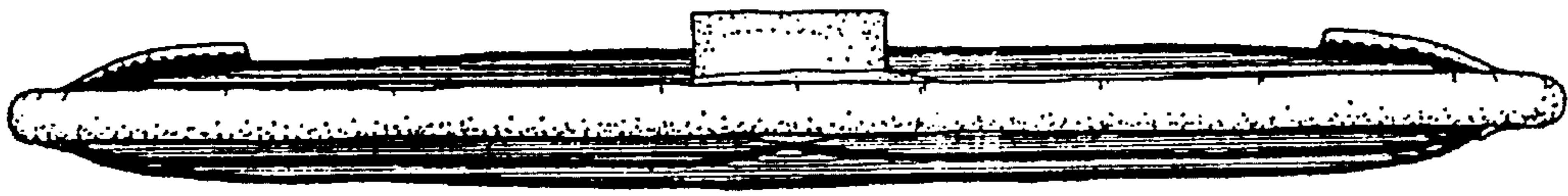


FIG. 5



FIG. 6

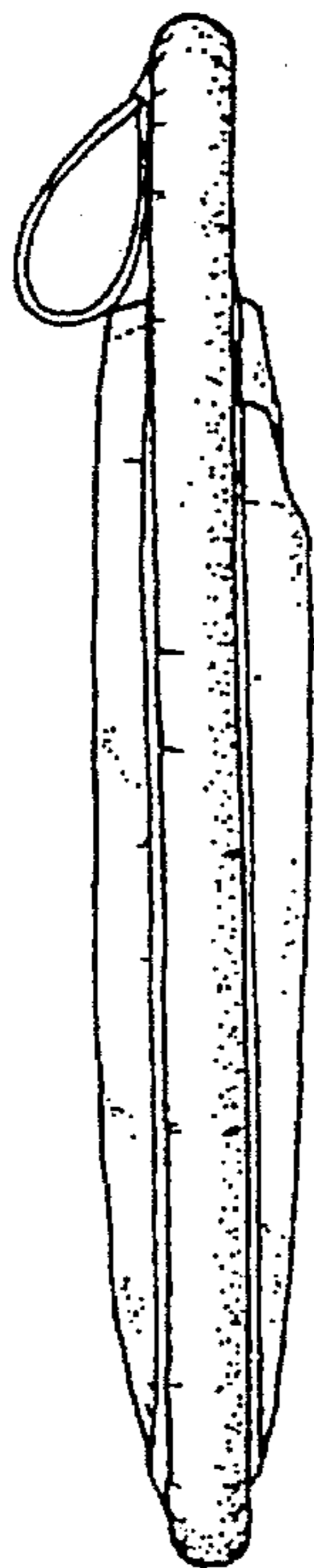


FIG. 7



FIG. 8

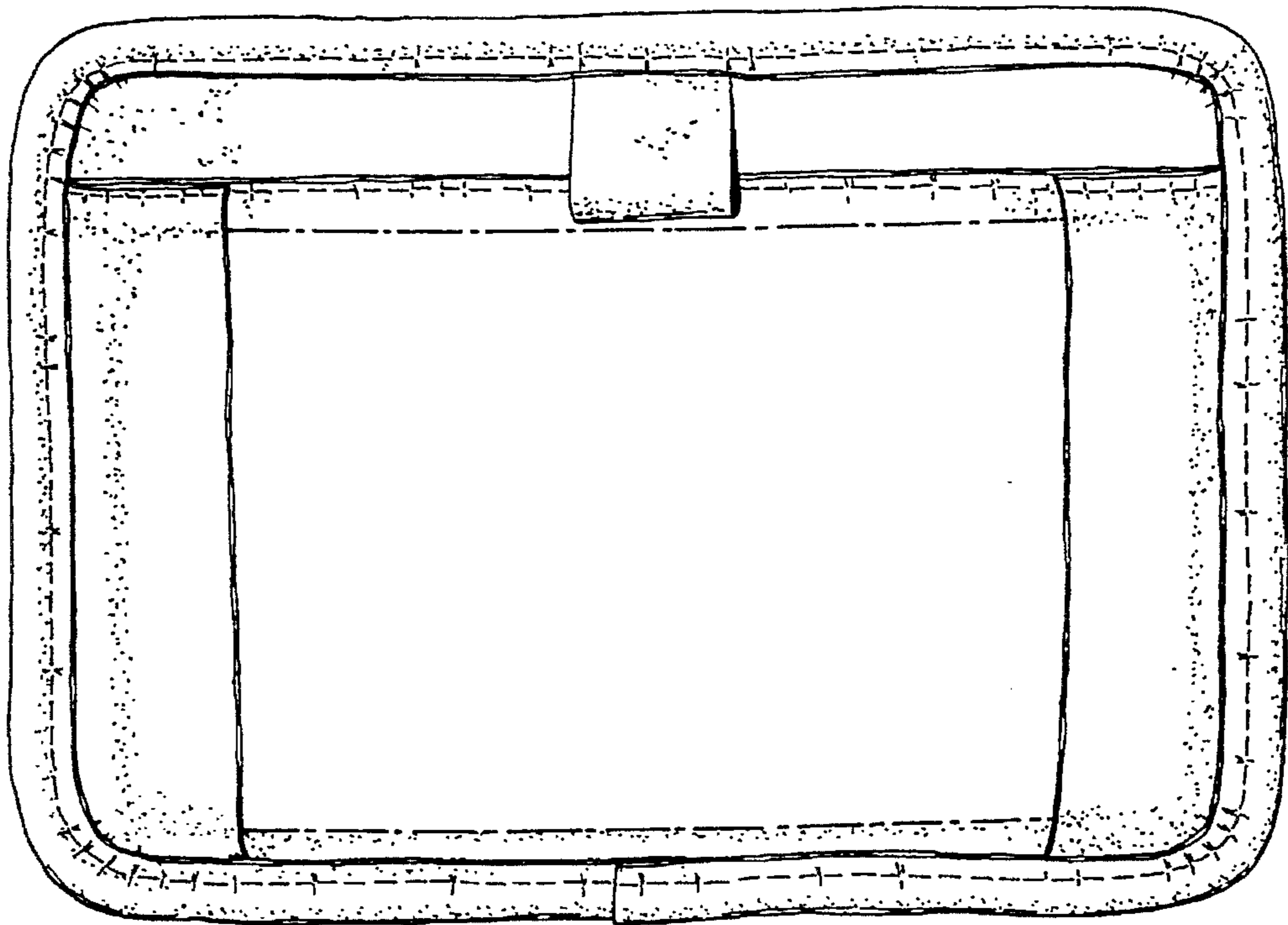


FIG. 9

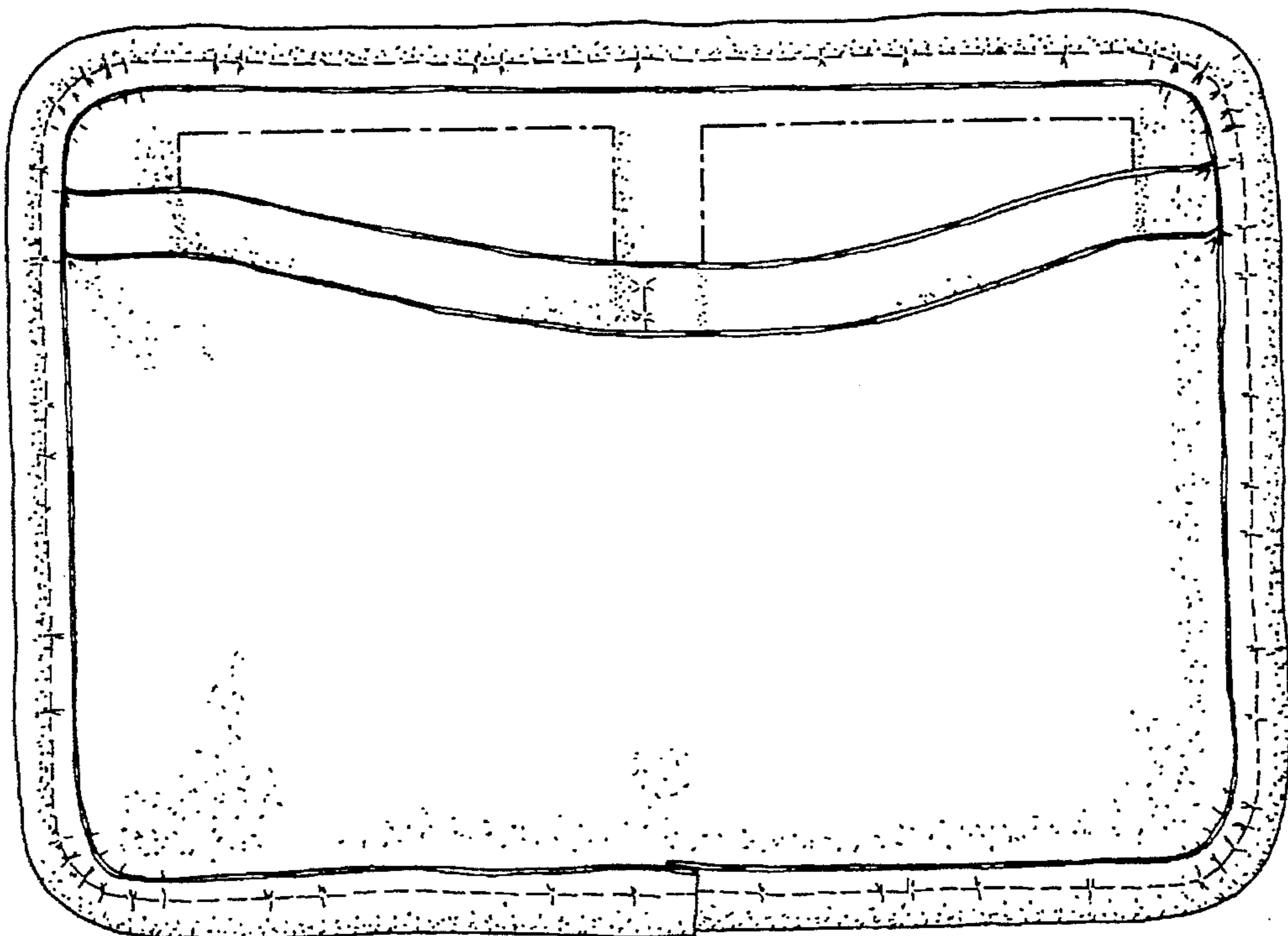


FIG. 10