



US00D363601S

# United States Patent [19]

[11] Patent Number: **Des. 363,601**

Abrams et al.

[45] Date of Patent: **\*\*Oct. 31, 1995**

[54] PACKAGE FOR A CONTACT LENS

[75] Inventors: **Richard W. Abrams; Russell J. Crossman**, both of Jacksonville, Fla.;  
**Charles R. Ashley**, Asbury, N.J.

[73] Assignee: **Johnson & Johnson Vision Products, Inc.**, Jacksonville, Fla.

[\*\*] Term: **14 Years**

[21] Appl. No.: **21,794**

[22] Filed: **Apr. 21, 1994**

[52] U.S. Cl. .... **D3/264**

[58] Field of Search ..... D3/201, 263, 264;  
D9/341, 415; 206/134, 136, 5.1, 205, 316.1,  
822; 134/143, 156, 901

[56] **References Cited**

U.S. PATENT DOCUMENTS

D. 212,480	10/1968	Mead	.....	D9/341
D. 272,091	1/1984	Kaufman	.....	D9/415
D. 273,765	5/1984	Cillario	.....	D9/341
D. 276,215	11/1984	Wang	.....	D9/415
D. 304,629	11/1989	Alvarado	.....	D9/341

D. 305,478	1/1990	Lahm et al.	.....	D3/34
D. 306,561	3/1990	Lee	.....	D9/415
D. 308,485	6/1990	Yeske	.....	D9/341
D. 329,600	9/1992	LaJoie	.....	D9/341
D. 338,619	8/1993	Mylander et al.	.....	D9/415
D. 340,861	11/1993	Abelson	.....	D9/415
D. 342,025	12/1993	Abraben et al.	.....	D9/415
4,091,917	5/1978	Clawson et al.	.....	206/5.1
4,691,820	9/1987	Martinez	.....	206/205

Primary Examiner—C. A. Murphy

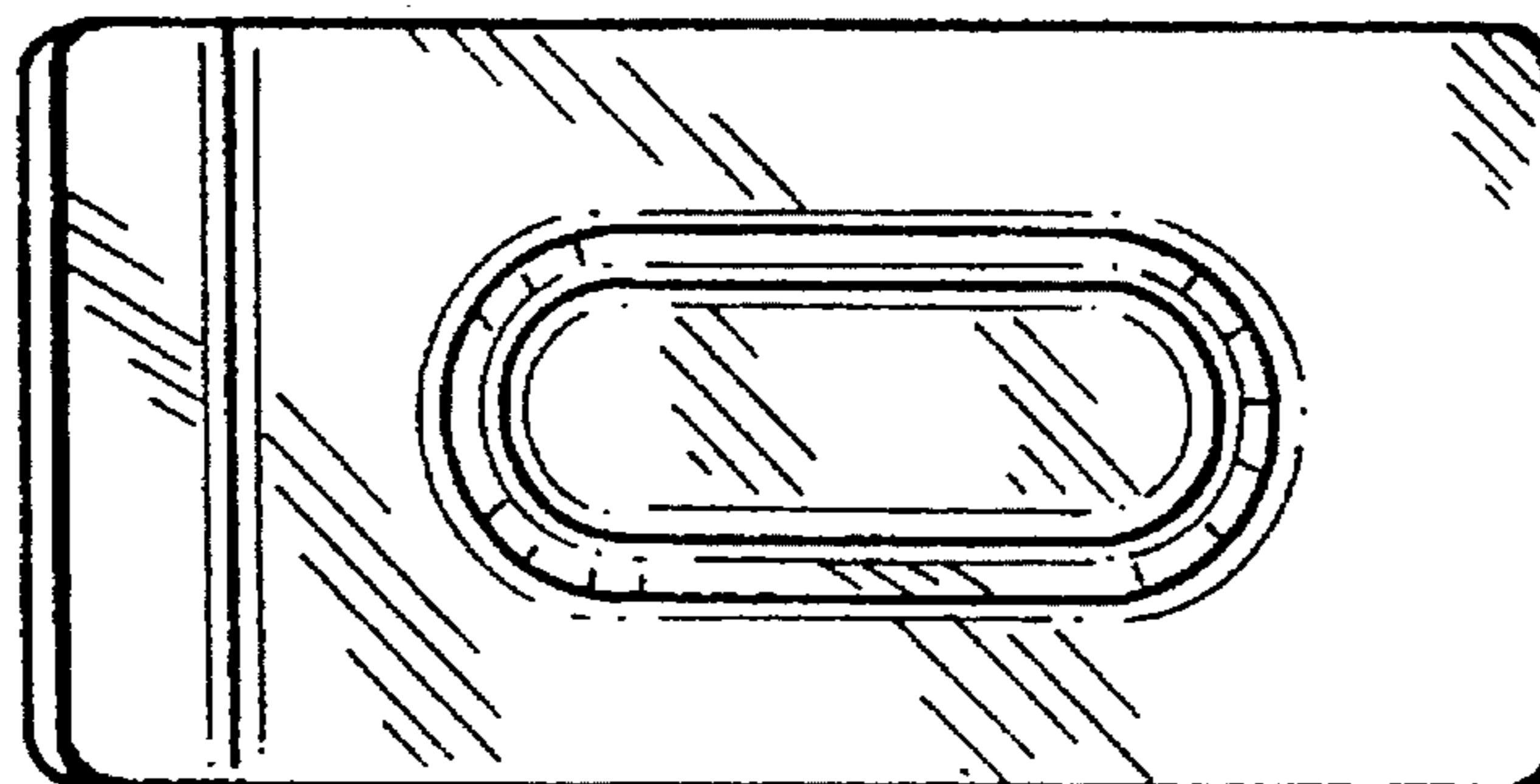
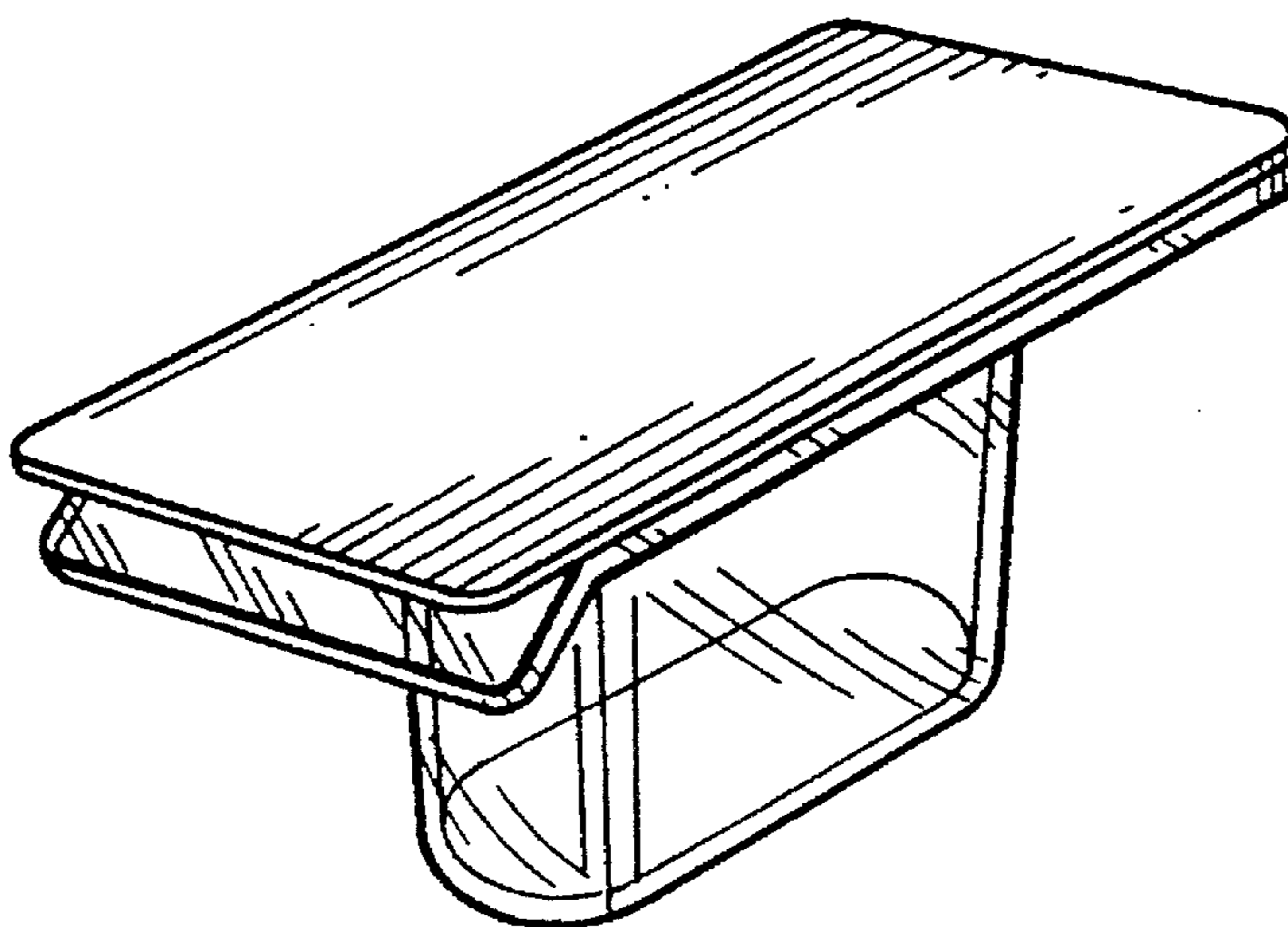
[57] **CLAIM**

The ornamental design for a package for a contact lens, as shown and described.

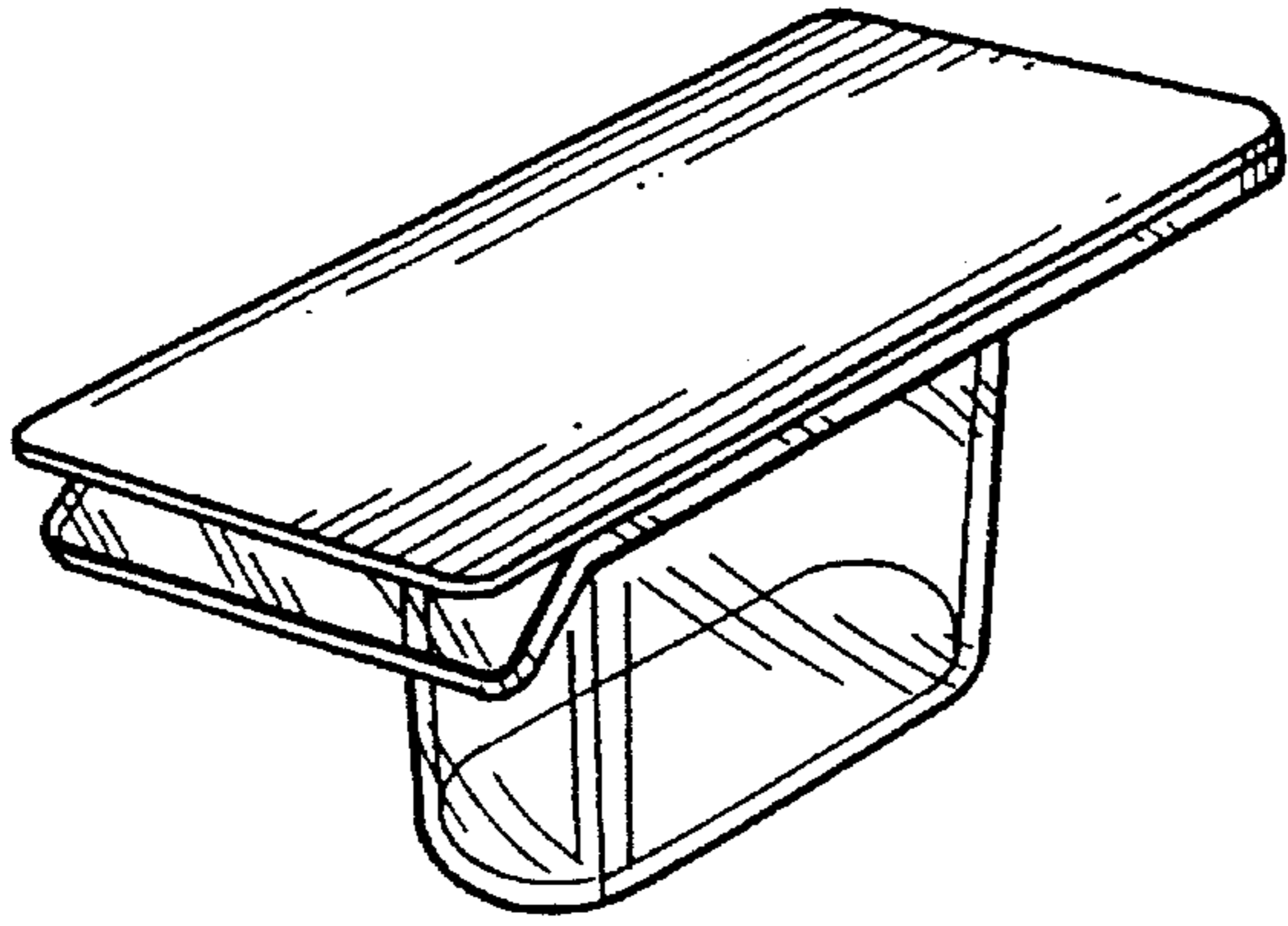
**DESCRIPTION**

FIG. 1 is a perspective view of a package for a contact lens showing our new design;  
FIG. 2 is a right side elevation view thereof; the left side elevational view being a mirror image thereof;  
FIG. 3 is a top plan view thereof;  
FIG. 4 is a bottom plan view thereof;  
FIG. 5 is a front elevational view thereof; and,  
FIG. 6 is a rear elevational view thereof.

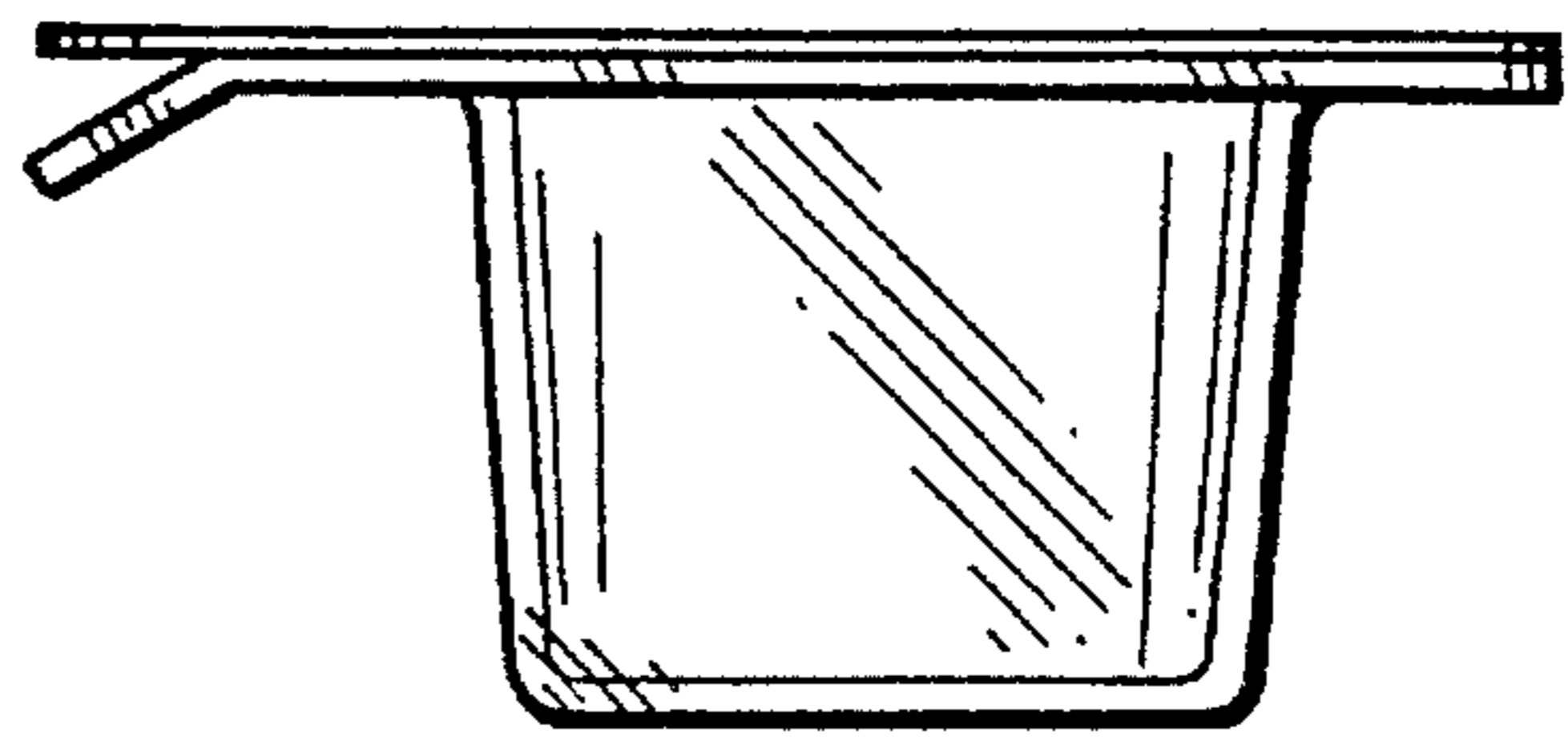
**1 Claim, 1 Drawing Sheet**



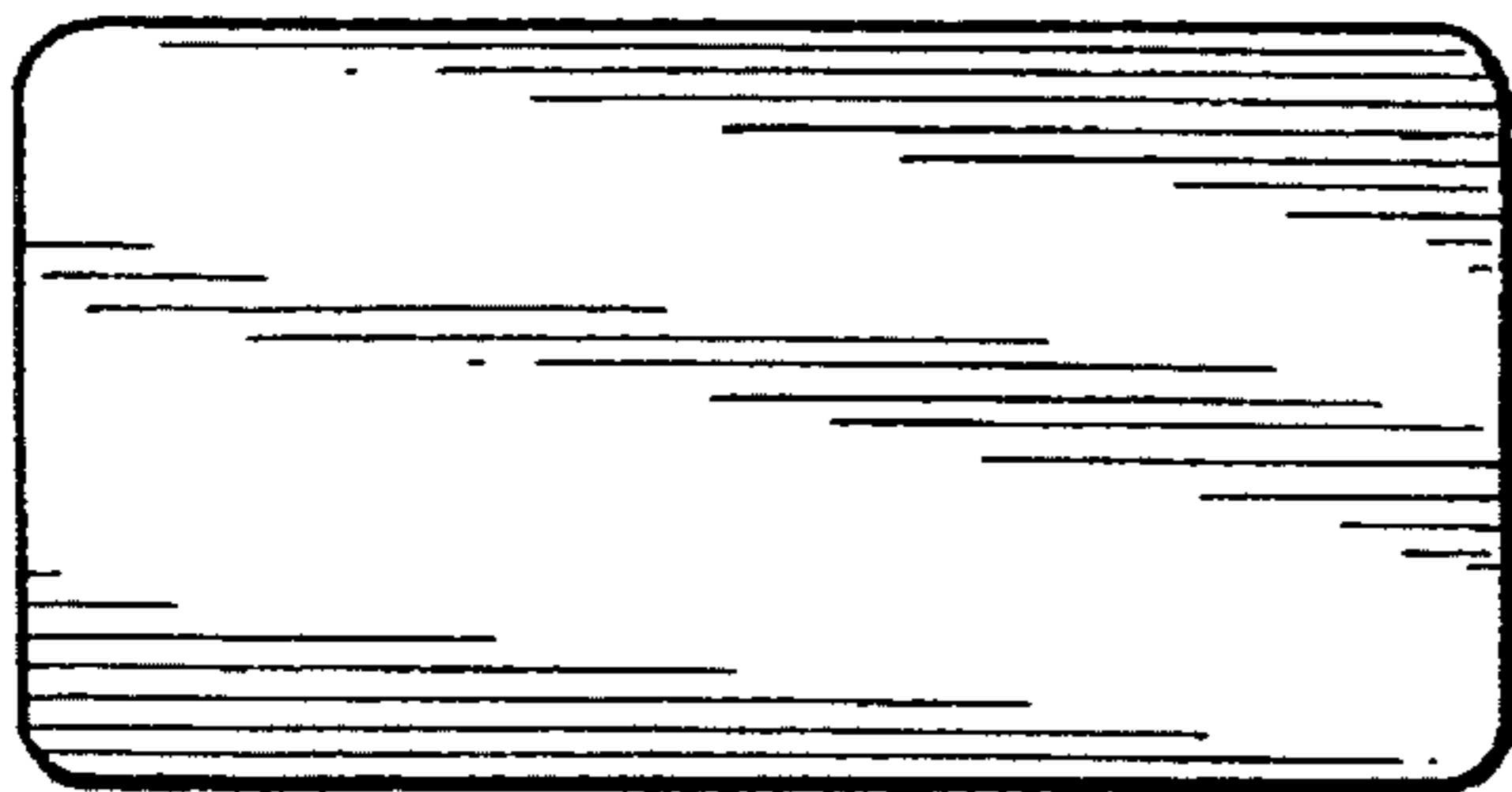
*FIG-1*



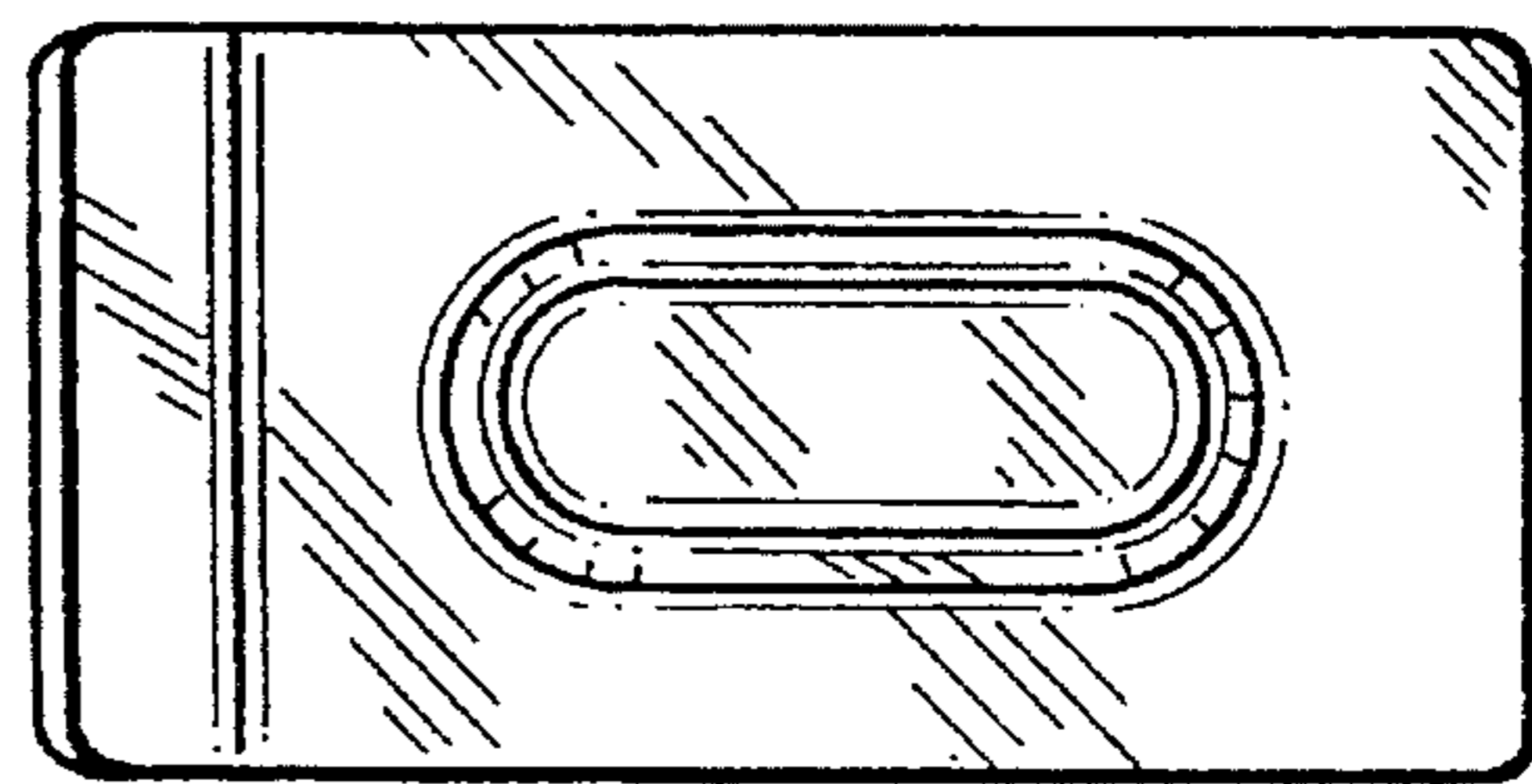
*FIG-2*



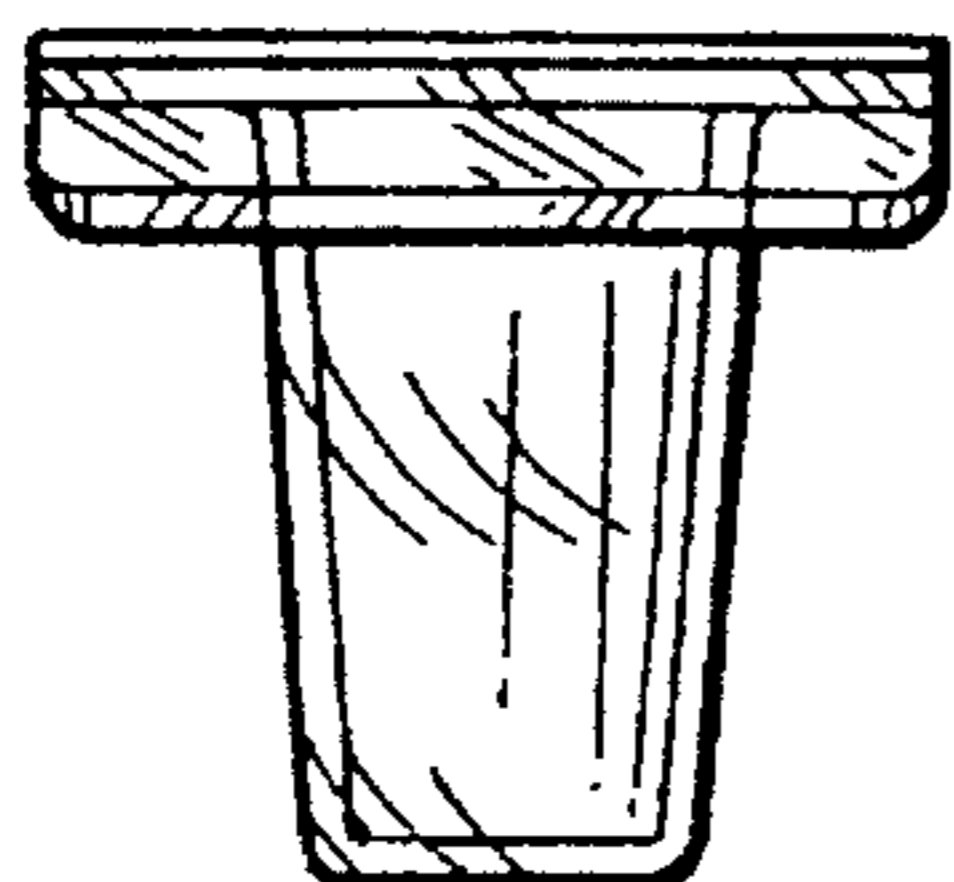
*FIG-3*



*FIG-4*



*FIG-5*



*FIG-6*

