



US00D363600S

United States Patent [19]

[11] **Patent Number: Des. 363,600**

Medlen

[45] **Date of Patent: **Oct. 31, 1995**

[54] PERSONAL SPORT BAG	4,805,748	2/1989	Gerch	206/315.1	X
	4,830,154	5/1989	Gerch et al.	190/103	
[76] Inventor: Curtis A. Medlen , 4203 S. Terra Verde, Veradale, Wash. 99037	4,899,887	2/1990	Cachero	206/315.1	X
	5,005,679	4/1991	Hjelle	190/110	

[**] Term: **14 Years**

Primary Examiner—Louis S. Zarfes
Assistant Examiner—Catherine R. Oliver
Attorney, Agent, or Firm—Wells, St. John, Roberts, Gregory & Matkin

[21] Appl. No.: **21,489**

[22] Filed: **Apr. 19, 1994**

[52] U.S. Cl. **D3/254**

[58] **Field of Search** D3/254, 287, 238,
D3/271, 257, 258, 319, 902; 206/315.1,
579, 581; 224/151, 258; 190/102, 103,
107, 108, 109

[57] **CLAIM**

The ornamental design for a personal sport bag, as shown and described.

DESCRIPTION

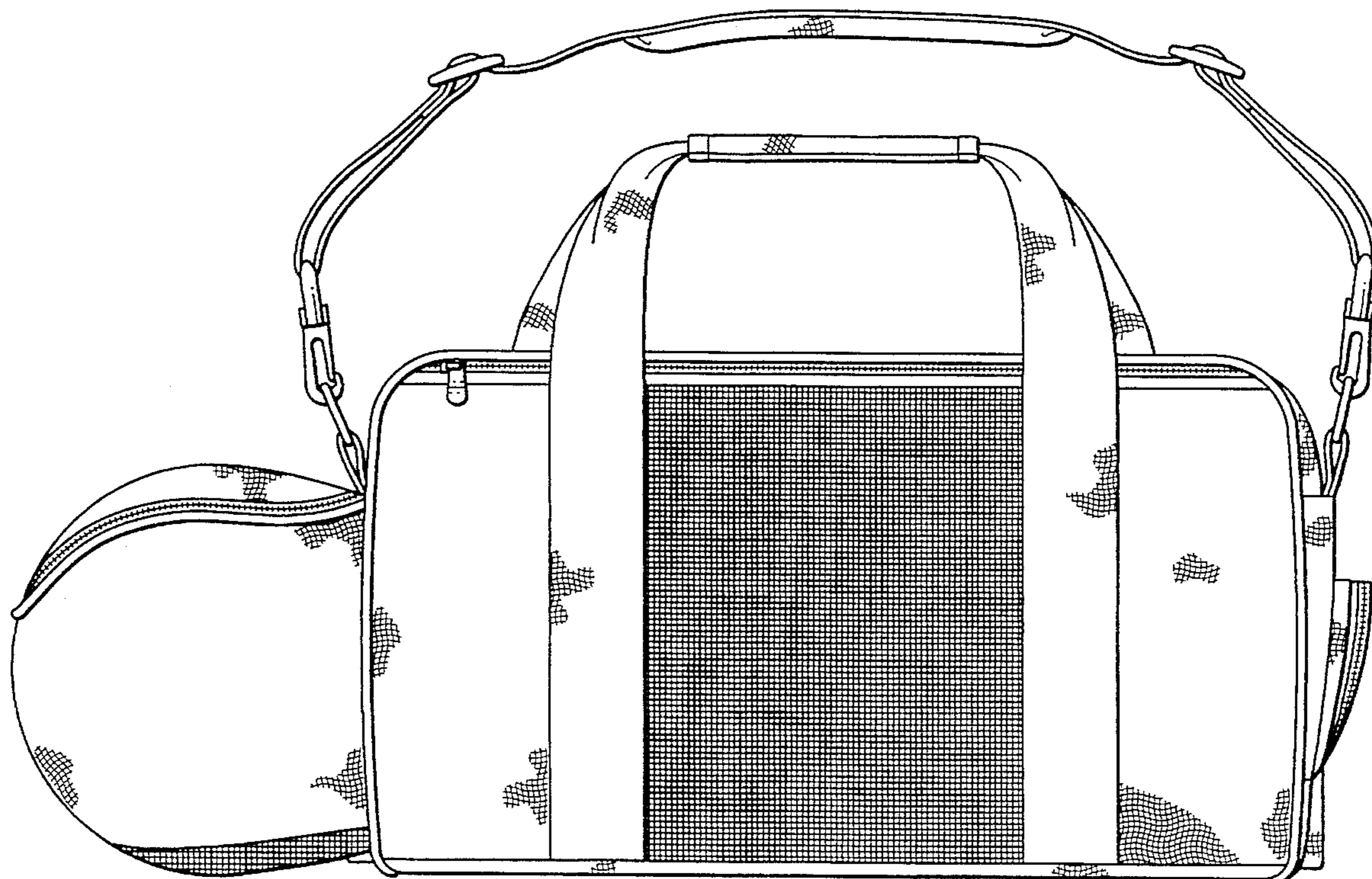
FIG. 1 is a front side elevation of a personal sport bag showing features of the present design; FIG. 2 is a rear side elevation view thereof; FIG. 3 is a left end elevation view thereof; FIG. 4 is a right end elevation view thereof; FIG. 5 is a top plan view thereof; and, FIG. 6 is a bottom plan view thereof.

[56] **References Cited**

U.S. PATENT DOCUMENTS

D. 238,010	12/1975	Canton	206/315.1	X
D. 308,602	6/1990	St. Pierre	206/579	X
D. 335,956	6/1993	Lucas	D3/238	
D. 345,255	3/1994	Hughes	D3/254	
D. 346,273	4/1994	Lucas	D3/271	
4,334,601	6/1982	Davis	190/111	

1 Claim, 6 Drawing Sheets



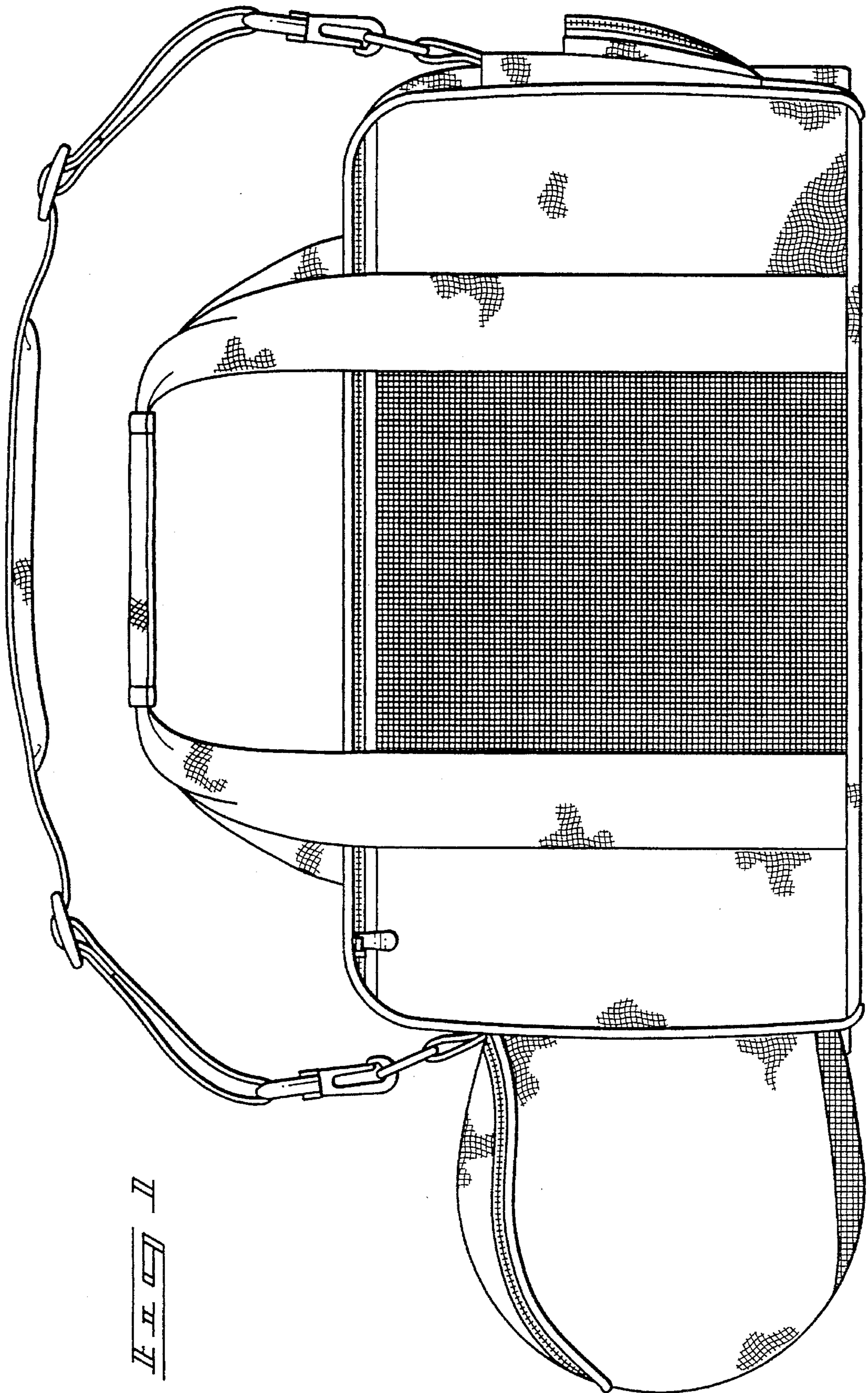
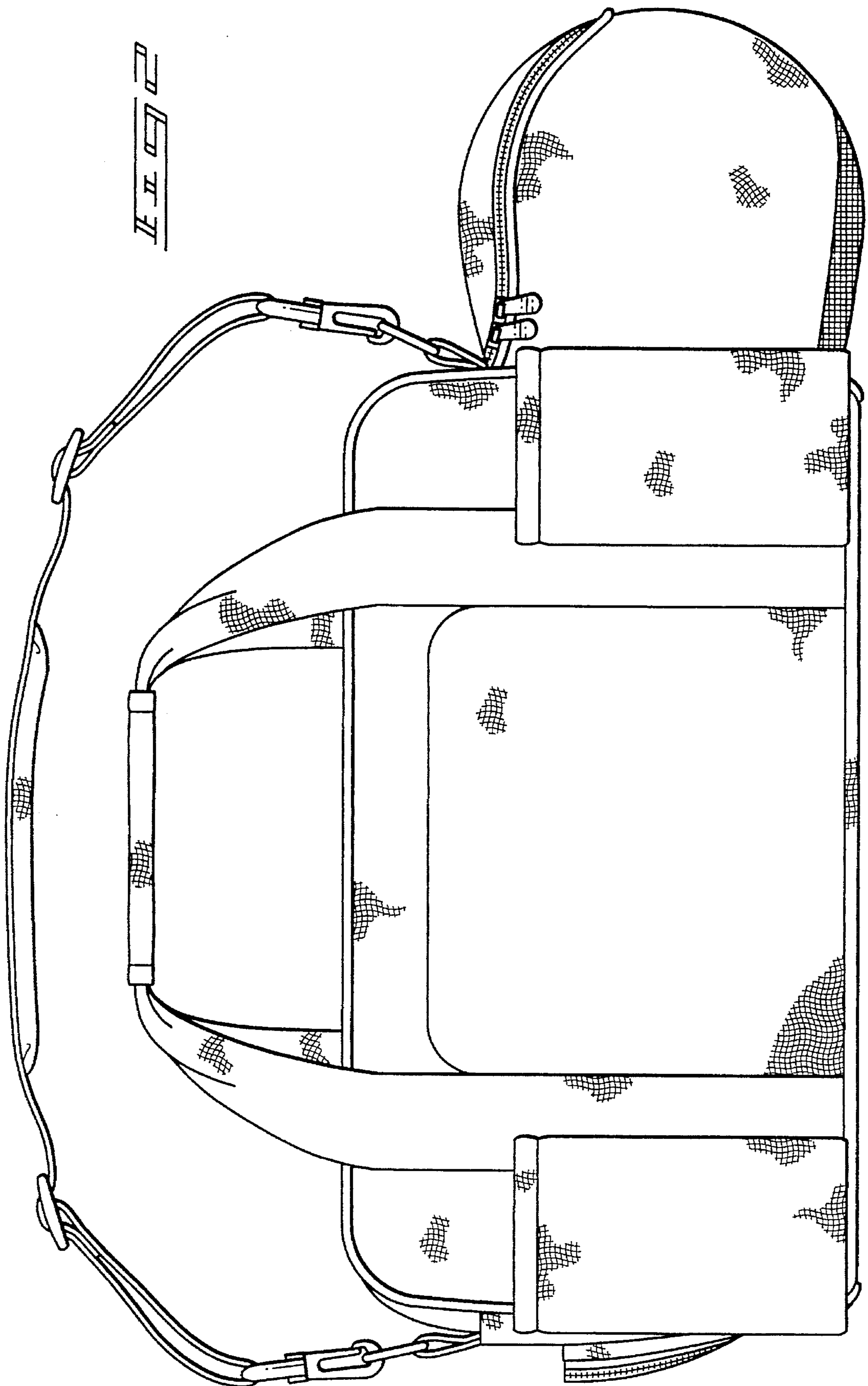
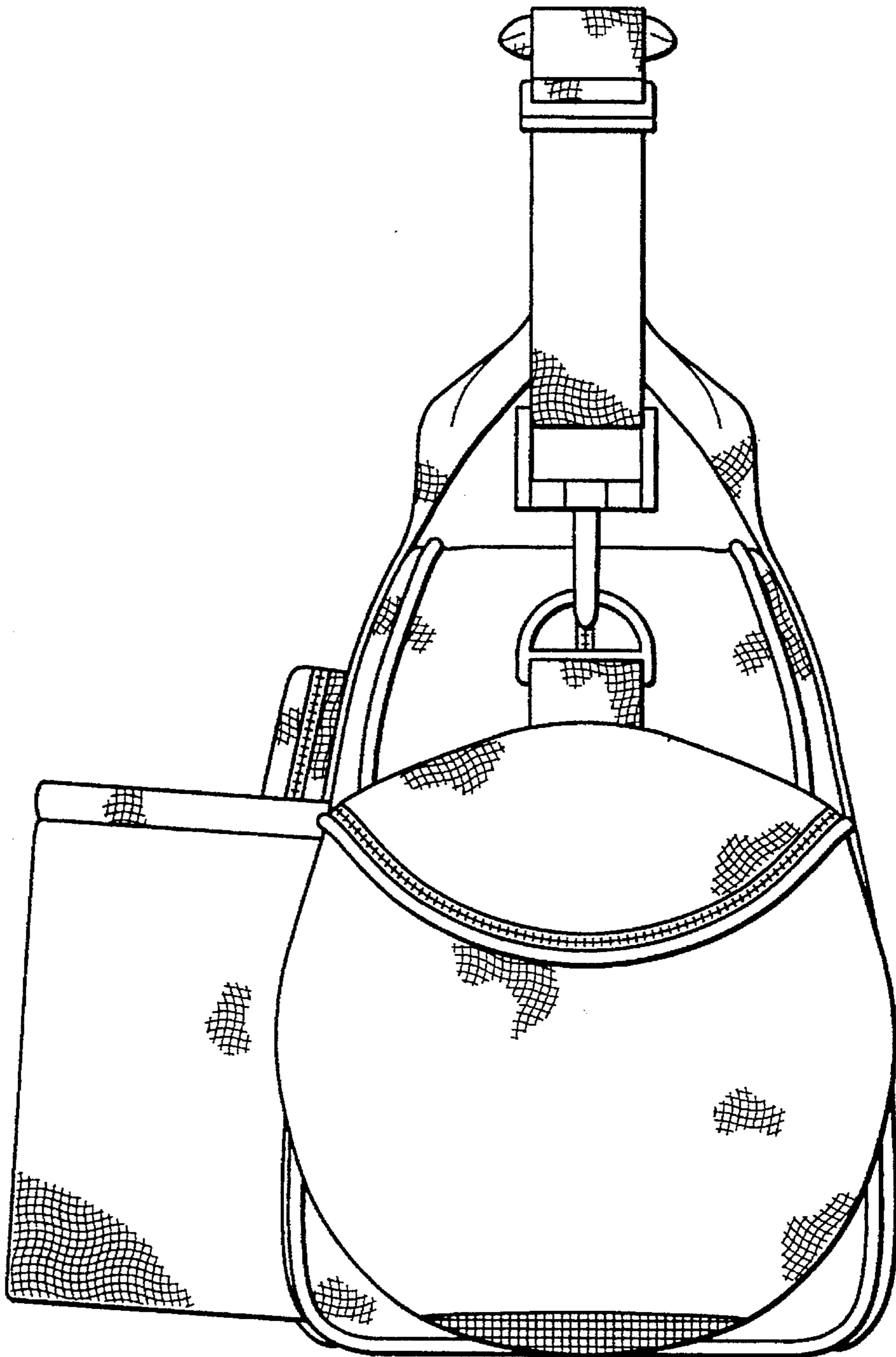


FIG. 1





11 11 11 11

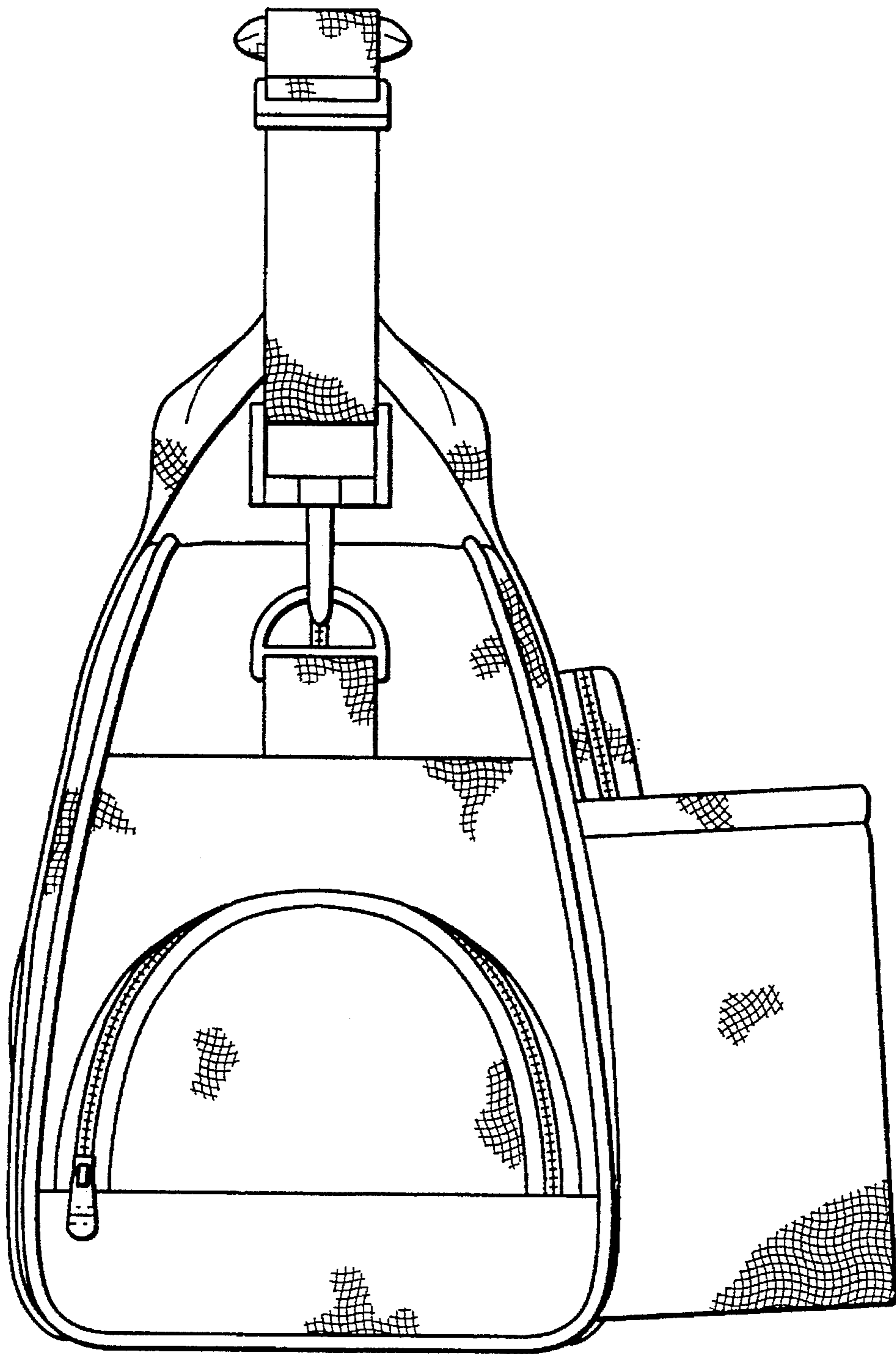


FIG. 4

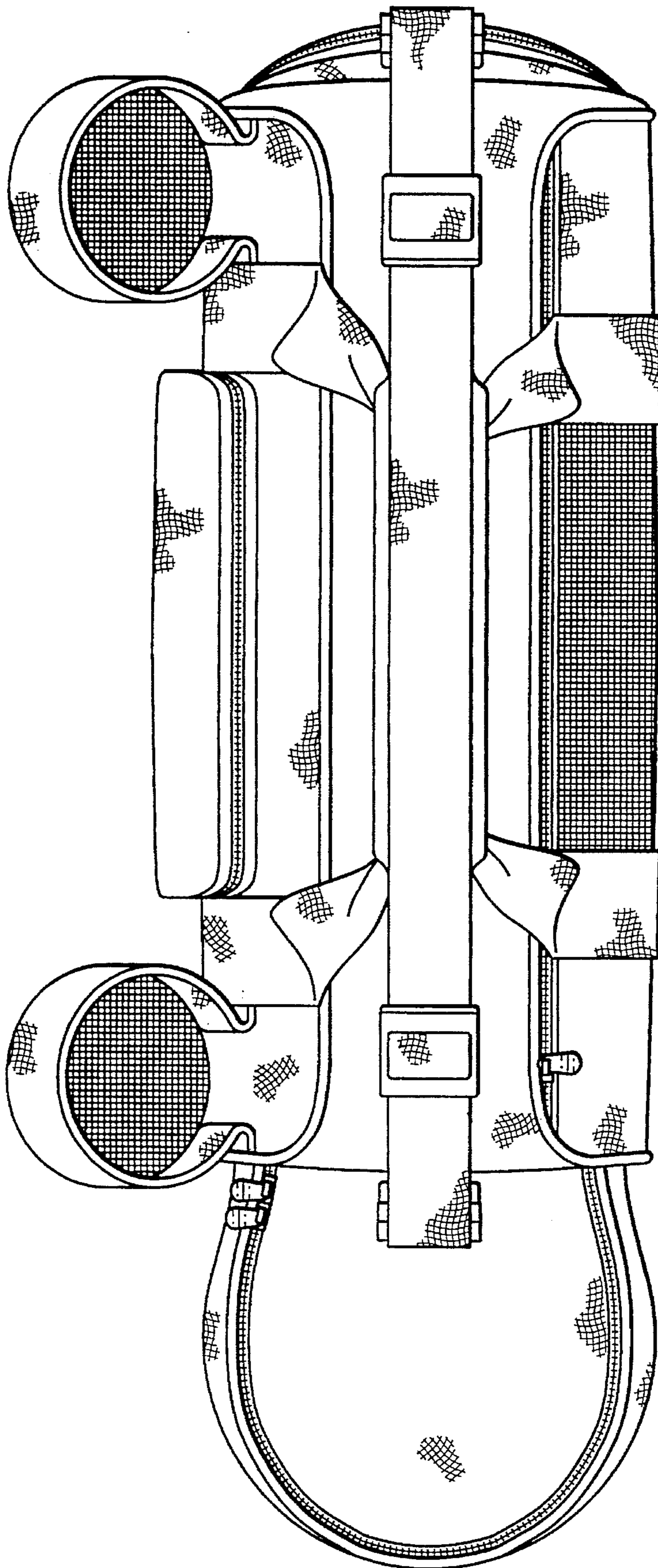


FIG. 5

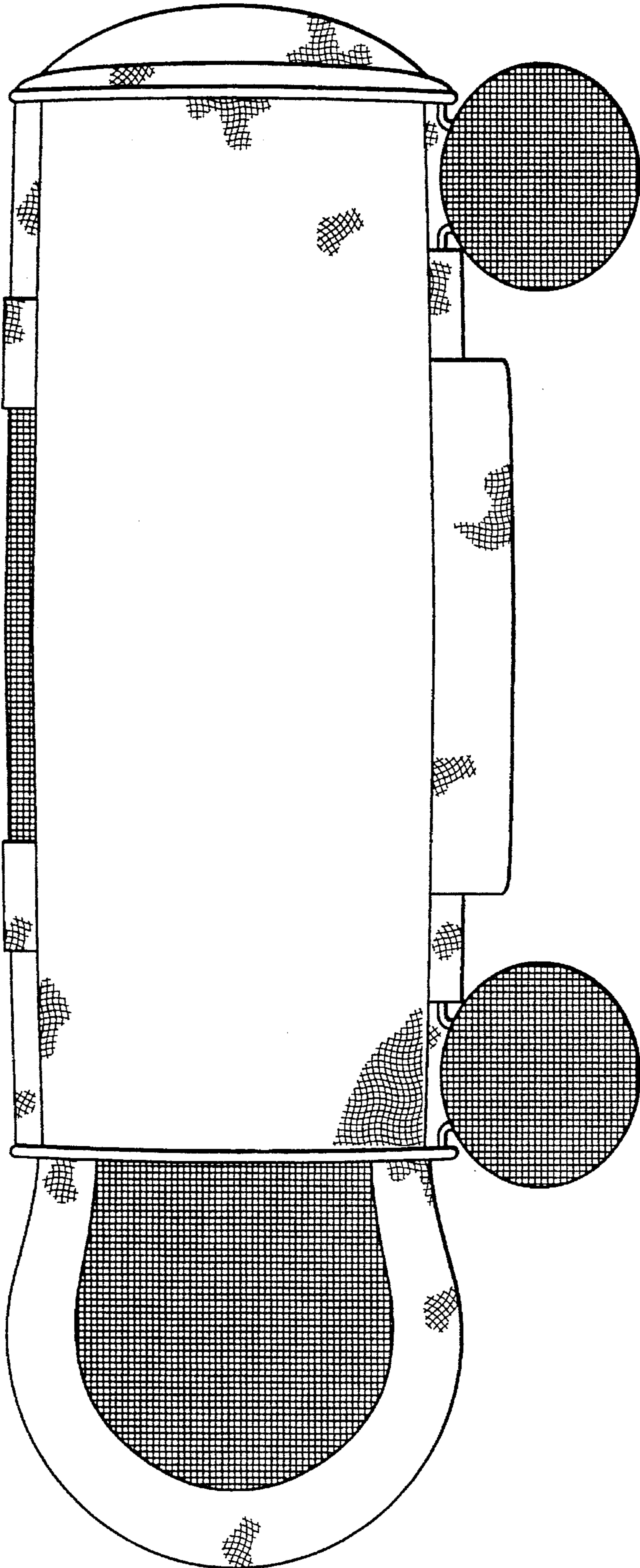


Fig. 6