



US00D363598S

United States Patent [19]

Walters et al.

[11] Patent Number: **Des. 363,598**

[45] Date of Patent: ****Oct. 31, 1995**

[54] **CHILD CARRIER**

[76] Inventors: **Robert M. Walters; Judith M. Walters**, both of 2821 Alta Vista Dr., Newport Beach, Calif. 92660

[**] Term: **14 Years**

[21] Appl. No.: **8,912**

[22] Filed: **Jun. 1, 1993**

[52] U.S. Cl. **D3/215**

[58] Field of Search D3/215, 213; 224/159, 224/157, 264, 160, 224, 270, 158, 208, 907

4,915,277	4/1990	Larreategui	224/159
5,011,056	4/1991	Larreategui	224/159
5,186,276	2/1993	Craig	124/23.1 X
5,190,306	3/1993	Nauman et al.	224/159 X
5,221,032	6/1993	Bott	224/270
5,224,637	7/1993	Colombo	224/159
5,234,143	8/1993	Mahvi et al.	224/31
5,285,940	2/1994	Goulter	224/270

Primary Examiner—Louis S. Zarfaz
Assistant Examiner—Catherine R. Oliver
Attorney, Agent, or Firm—Lynn & Lynn

[57] CLAIM

The ornamental design for a child carrier, as shown and described.

[56] References Cited

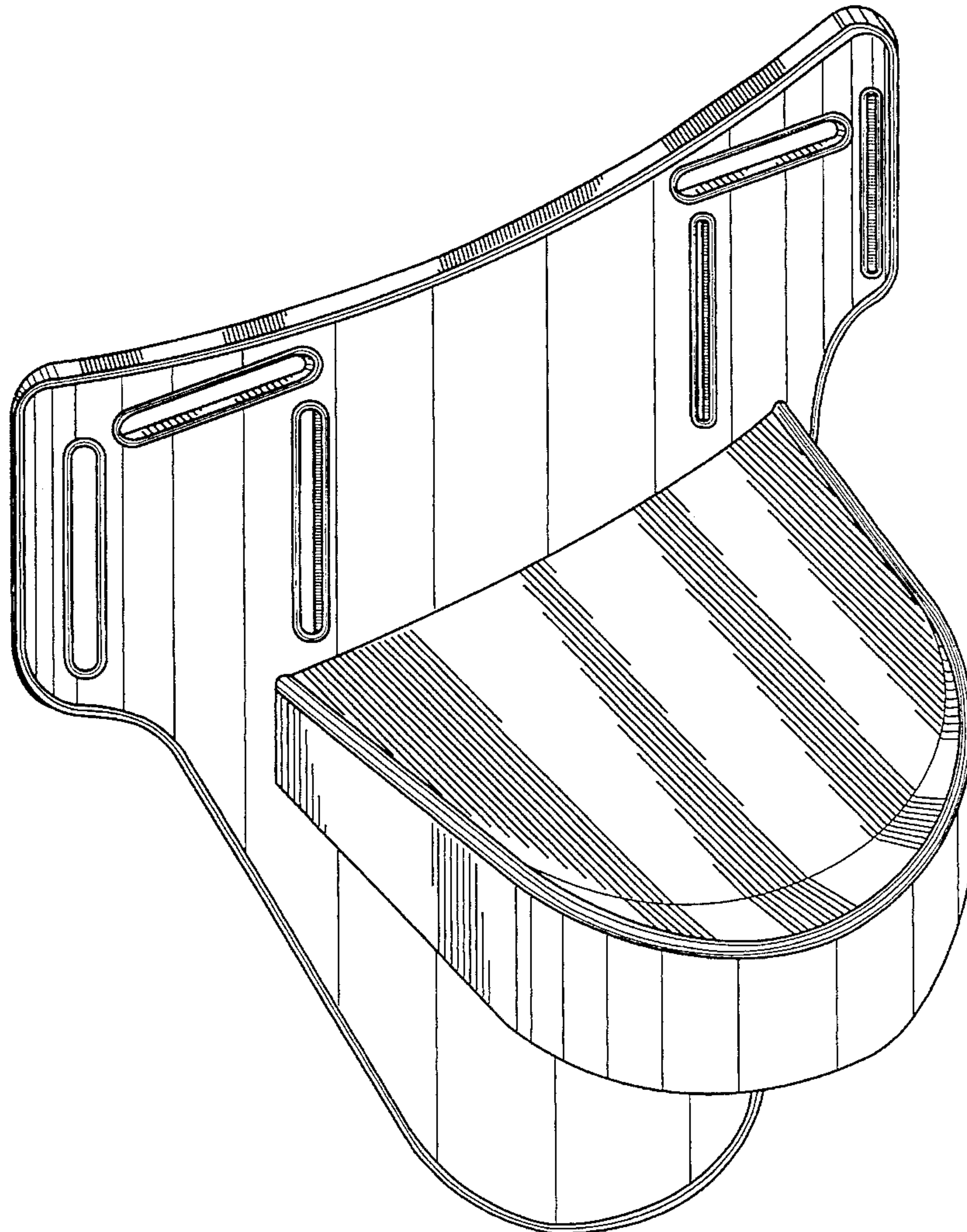
U.S. PATENT DOCUMENTS

253,557	12/1979	Thompson	D3/31
1,196,003	8/1916	Lippincott	224/159
4,319,704	3/1982	Rosen	224/270
4,389,005	6/1983	Cable et al.	224/159
4,724,987	2/1988	Maheu	224/159
4,790,459	12/1988	Moseley	224/159
4,901,898	2/1990	Colombo et al.	224/159

DESCRIPTION

FIG. 1 is a perspective view showing our new design; FIG. 2 is a front elevation view of our new design; FIG. 3 is a rear elevation view of our new design; FIG. 4 is a top plan view of our new design; FIG. 5 is a bottom plan view of our new design; and, FIG. 6 is a right side elevation of our new design.

1 Claim, 4 Drawing Sheets



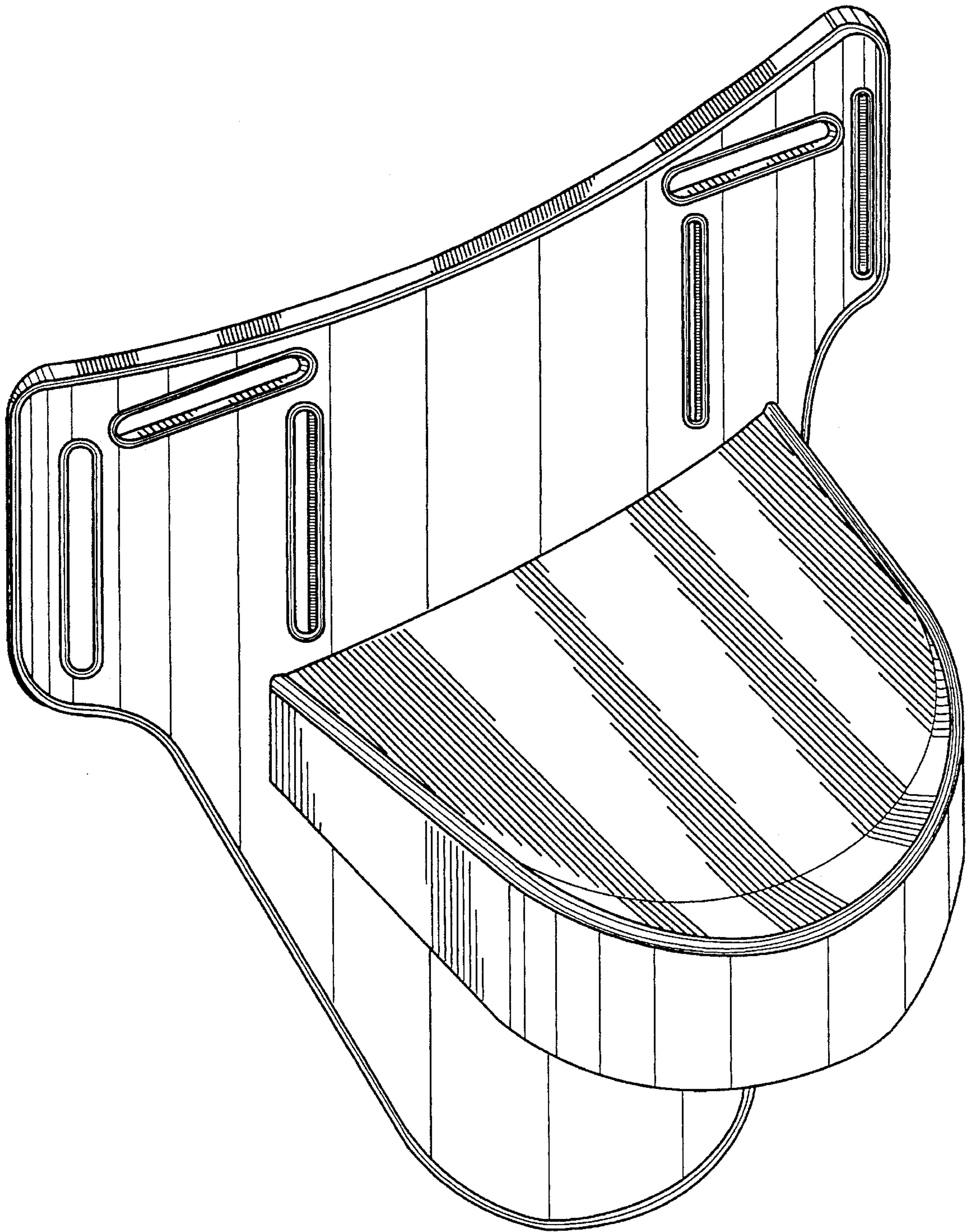


FIGURE 1

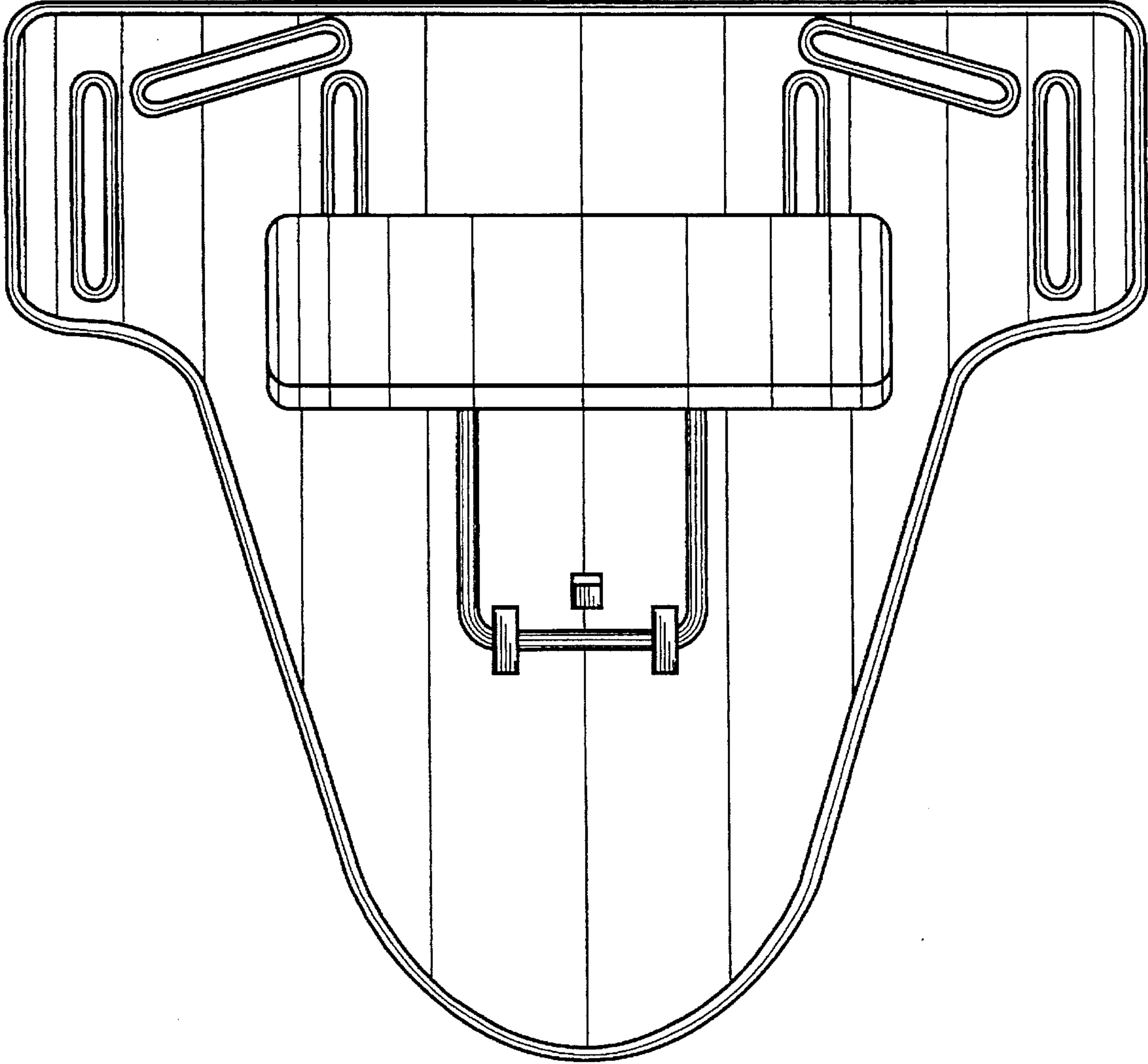


FIGURE 2

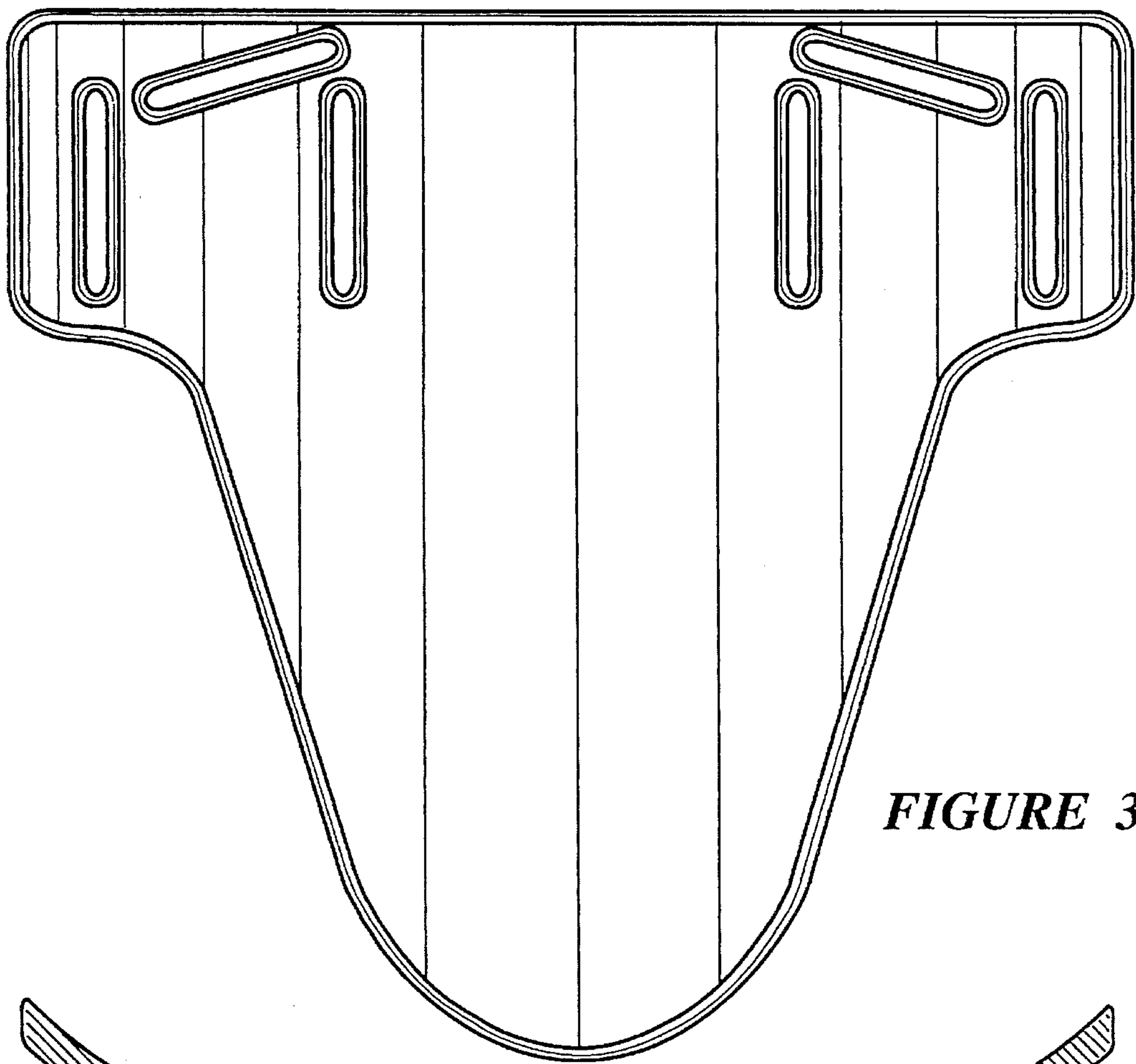


FIGURE 3

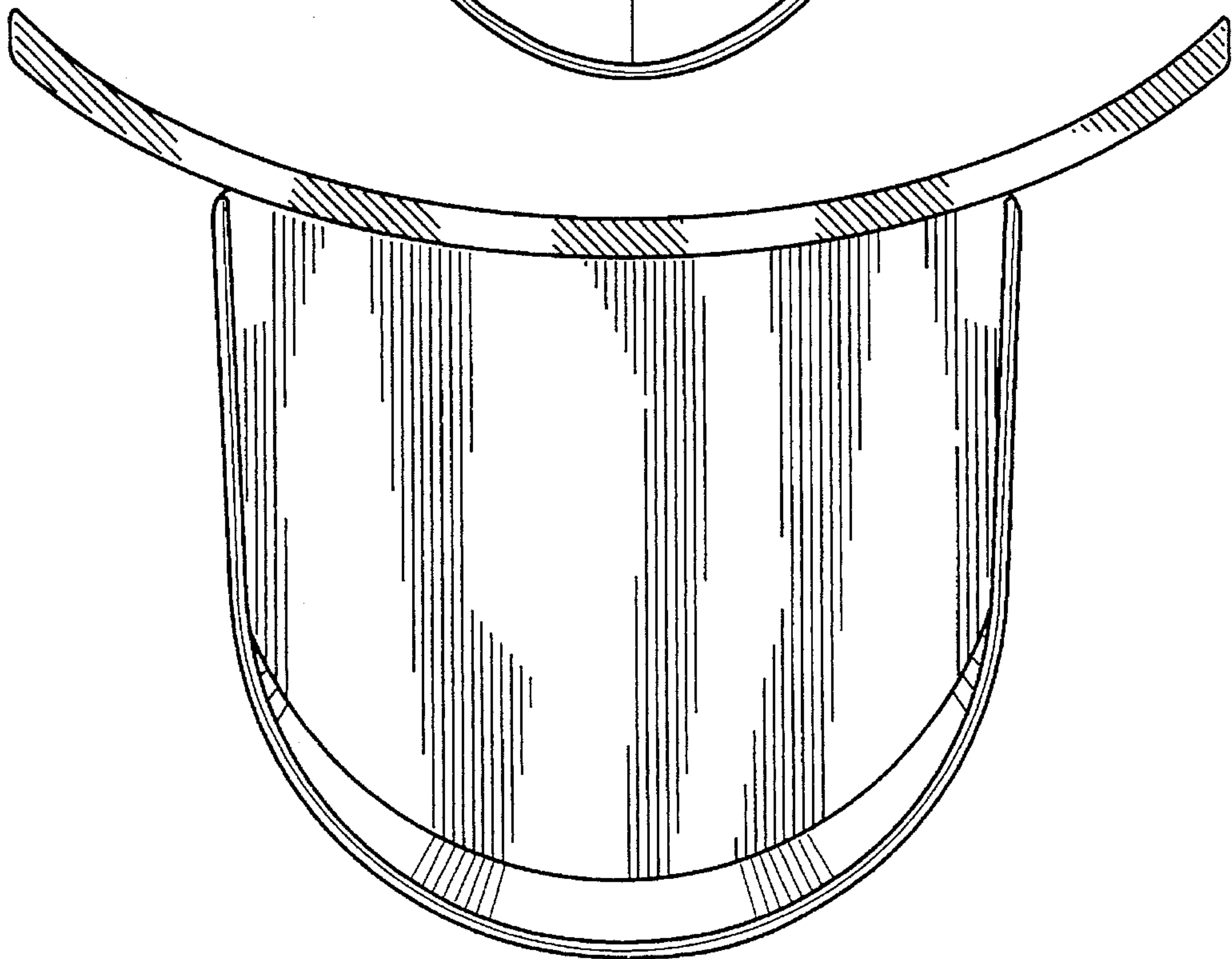


FIGURE 4

FIGURE 5

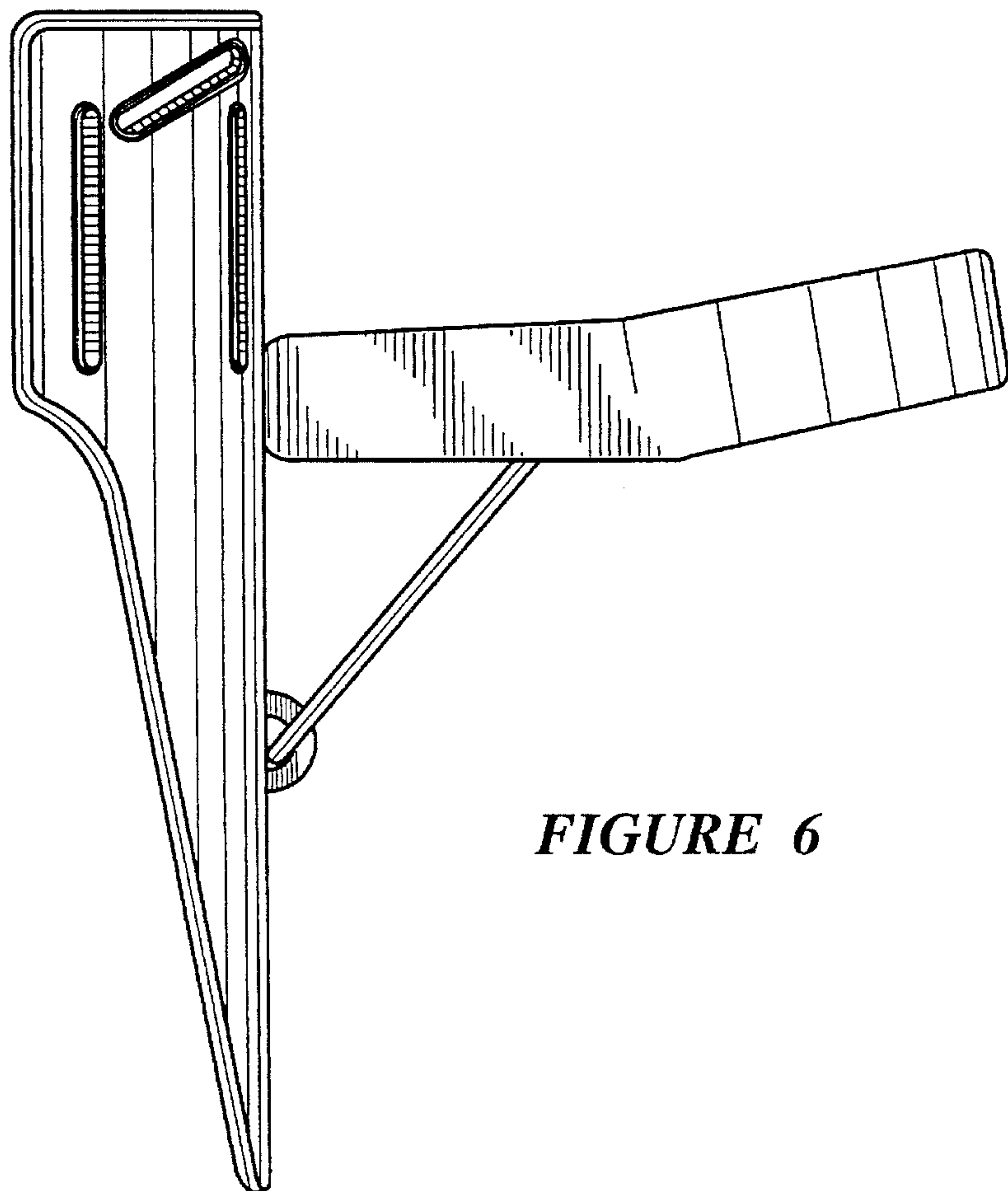
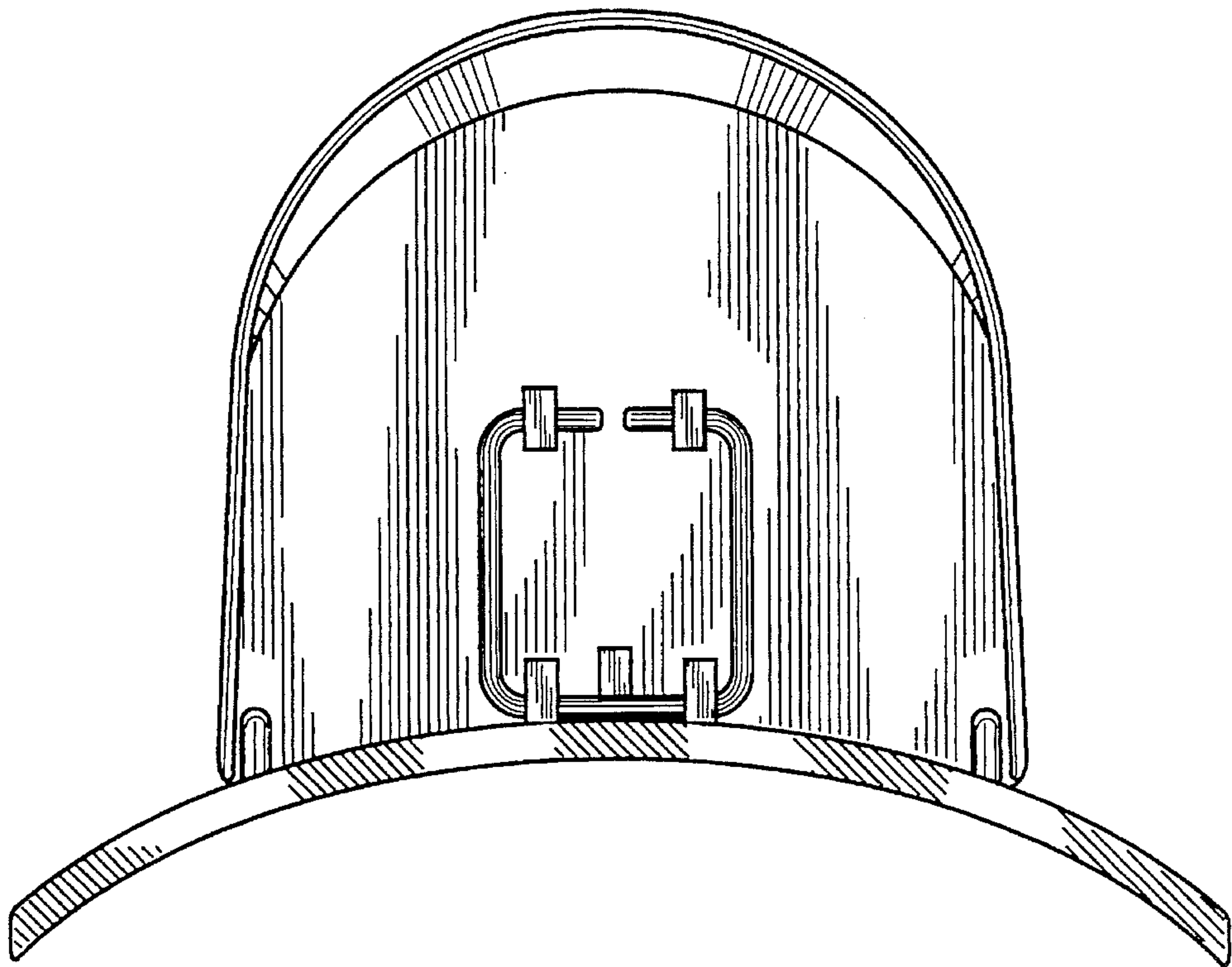


FIGURE 6