



US00D363596S

United States Patent [19]
Martinez

[11] **Patent Number: Des. 363,596**
[45] **Date of Patent: **Oct. 31, 1995**

[54] **CAP**

FOREIGN PATENT DOCUMENTS

[76] **Inventor: Nelson F. Martinez**, 12455 Oak Knoll Rd. #1-0, Poway, Calif. 92064

155085 12/1920 United Kingdom 2/195.4

[**] **Term: 14 Years**

OTHER PUBLICATIONS

[21] **Appl. No.: 2,650**

Esquire Deerstalker Hat 1954 bottom right.

[22] **Filed: Dec. 15, 1992**

Primary Examiner—Ted Shooman

Assistant Examiner—C. Tuttle

[52] **U.S. Cl. D2/884**

Attorney, Agent, or Firm—Steve A. Wong

[58] **Field of Search** D2/865, 866, 868, D2/872, 876, 879, 883, 884, 886; 2/195.1, 195.2, 195.3, 195.4, 209.13, 209.12, 209.5

[57] **CLAIM**

The ornamental design for a cap, as shown and described.

[56] **References Cited**

DESCRIPTION

U.S. PATENT DOCUMENTS

FIG. 1 is a front perspective view of a cap showing my new design, the rear perspective view being identical;

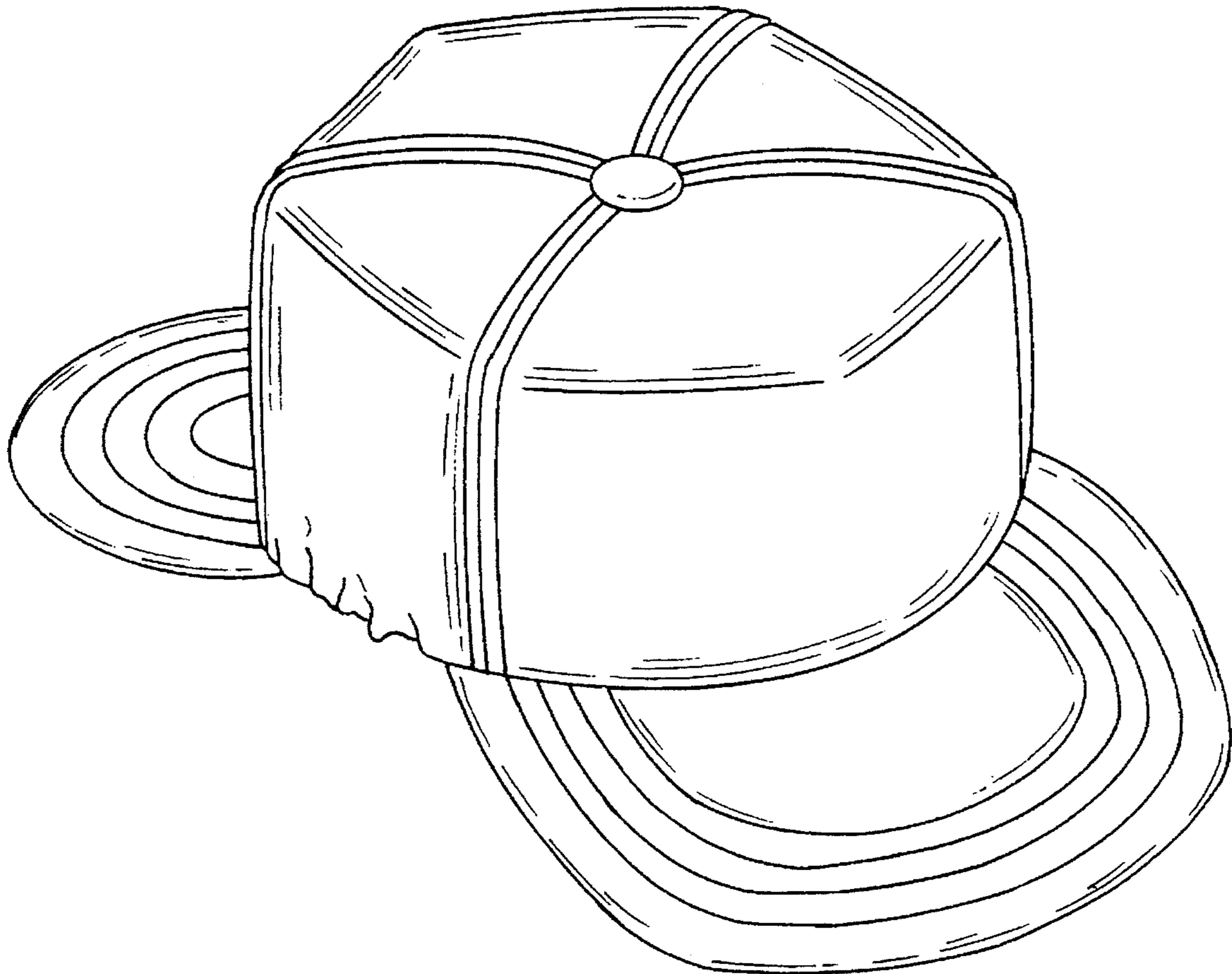
FIG. 2 is a top plan view thereof;

FIG. 3 is a right side elevational view thereof, the left side elevational view being identical; and,

FIG. 4 is a bottom plan view thereof.

D. 21,712	7/1892	Brundage	D2/872
31,107	6/1899	Davis	D2/872 X
D. 168,920	2/1953	Wittcoff	D2/872 X
419,765	1/1890	Frank	2/195.1 X
1,648,551	11/1927	Klein	2/209.12
1,677,187	7/1928	Leibson	2/209.5
4,386,437	6/1983	Fosher	2/209.13

1 Claim, 2 Drawing Sheets



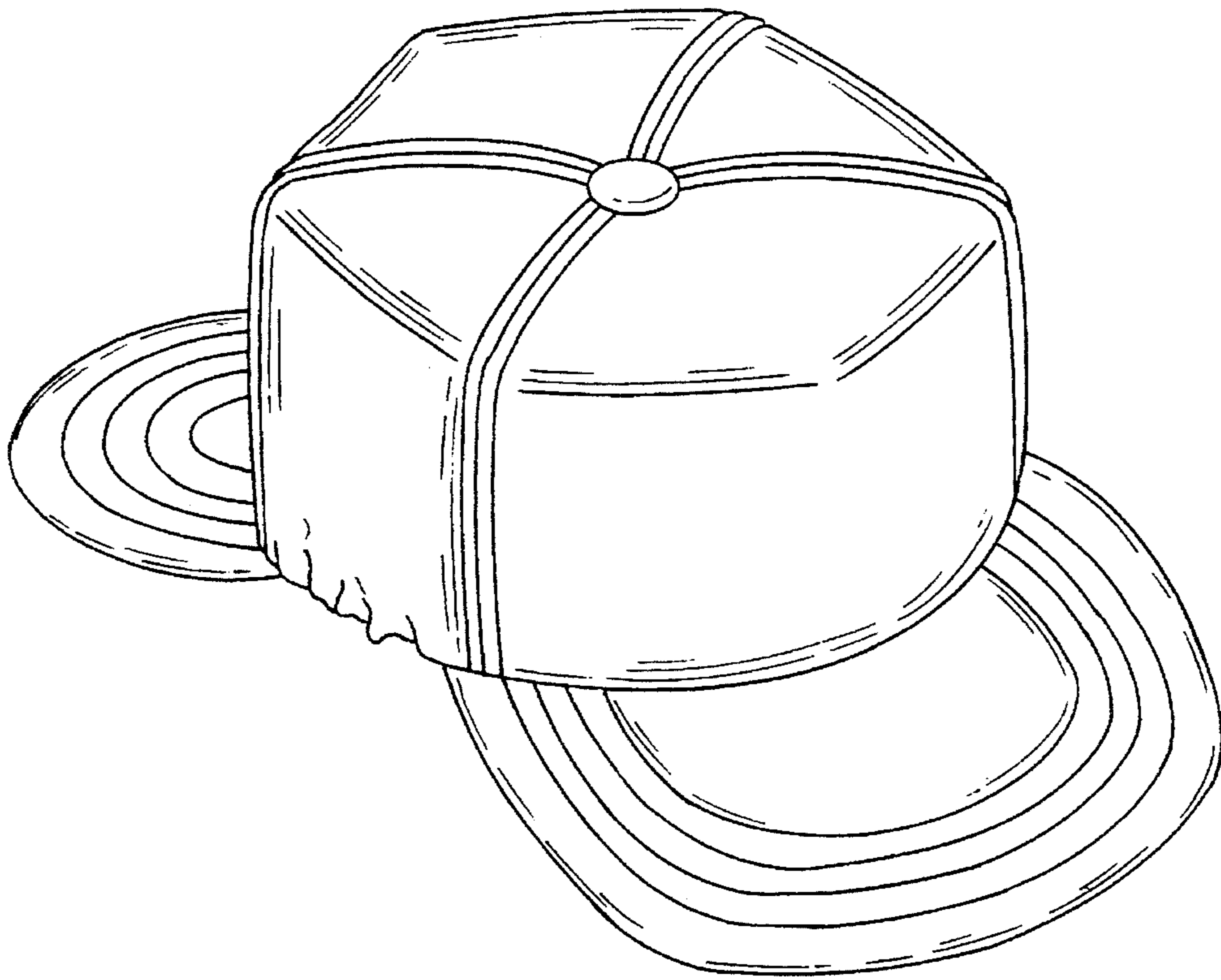


Fig. 1

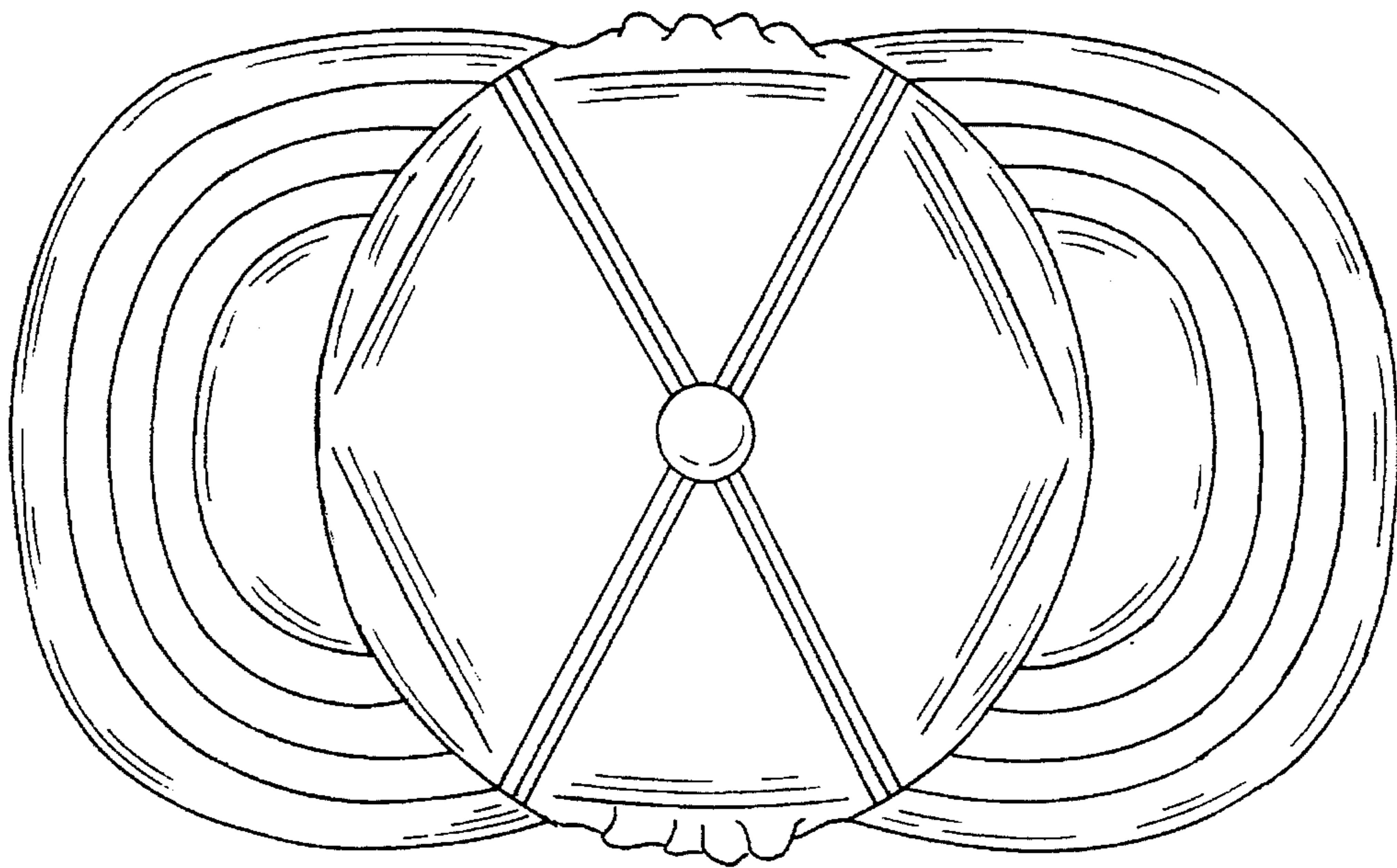


Fig. 2

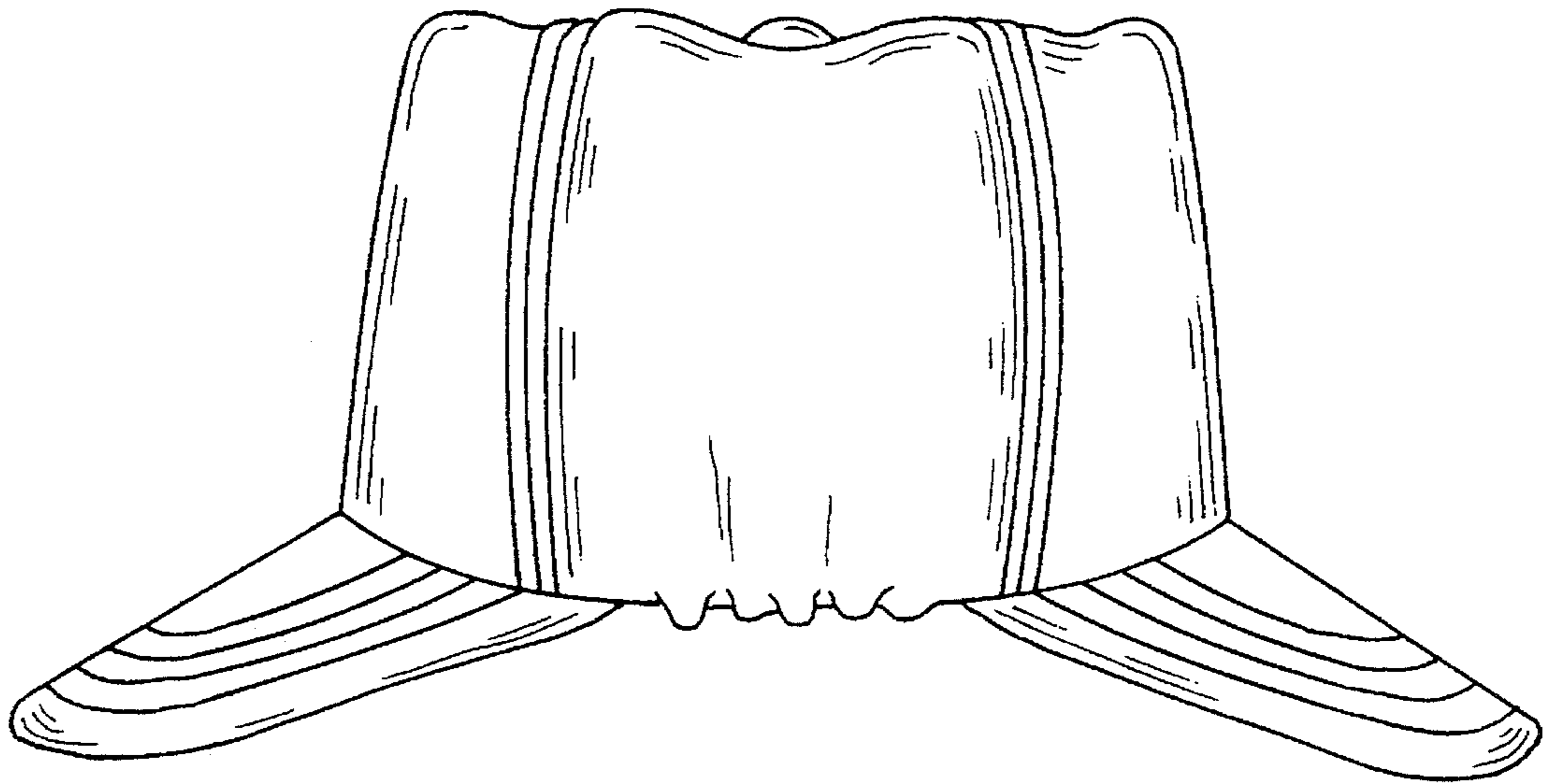


Fig. 3

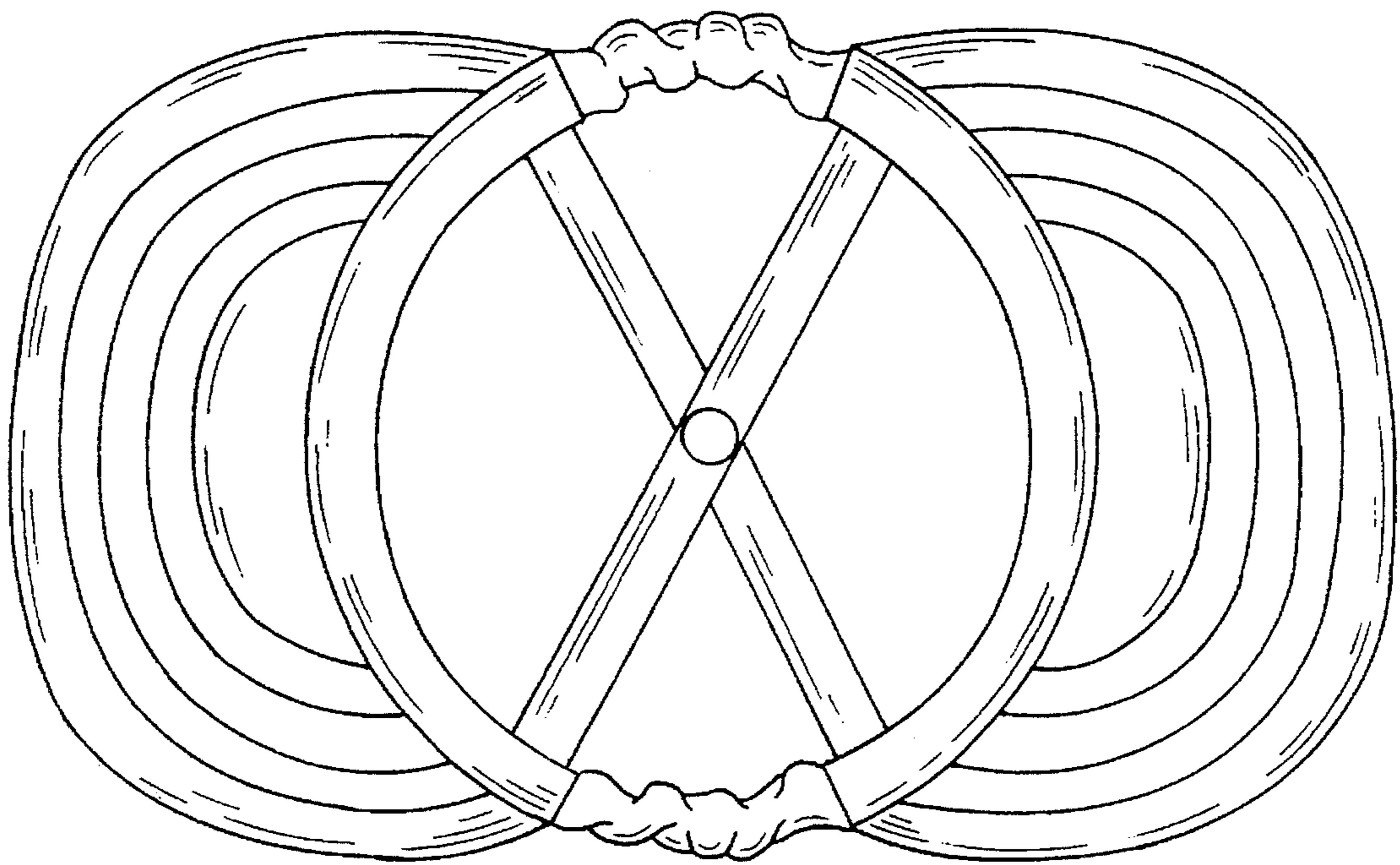


Fig. 4