



US00D363590S

**United States Patent** [19]  
**Kazmerchek et al.**

[11] **Patent Number: Des. 363,590**  
[45] **Date of Patent: \*\*Oct. 24, 1995**

[54] **CART HAVING A PUSH HANDLE** 4,998,023 3/1991 Kitts ..... 280/47.35

[75] Inventors: **Thomas J. Kazmerchek**, St. Francis;  
**Kent C. Schlienger**, Wauwatosa;  
**Raymond H. Donovan**, Hales Corners;  
**Arun Garg**, Brown Deer, all of Wis.

*Primary Examiner*—Kay H. Chin  
*Attorney, Agent, or Firm*—Reinhart, Boerner, Van Deuren,  
Norris & Rieselbach

[73] Assignee: **Lakeside Manufacturing, Inc.**,  
Milwaukee, Wis.

[57] **CLAIM**

[\*\*] Term: **14 Years**

The ornamental design for cart having a push handle, as shown.

[21] Appl. No.: **22,878**

**DESCRIPTION**

[22] Filed: **May 13, 1994**

[52] U.S. Cl. .... **D34/21; D34/17**

FIG. 1 is a perspective view of a cart having a push handle arrangement;

[58] Field of Search ..... **D34/12, 17, 21, D34/22, 23; 280/47.35, 47.34, 79.11, 79.2, 79.3; 211/187**

FIG. 2 is a side elevation view of the cart of FIG. 1;

FIG. 3 is an end elevation view of the cart of FIG. 1; and,

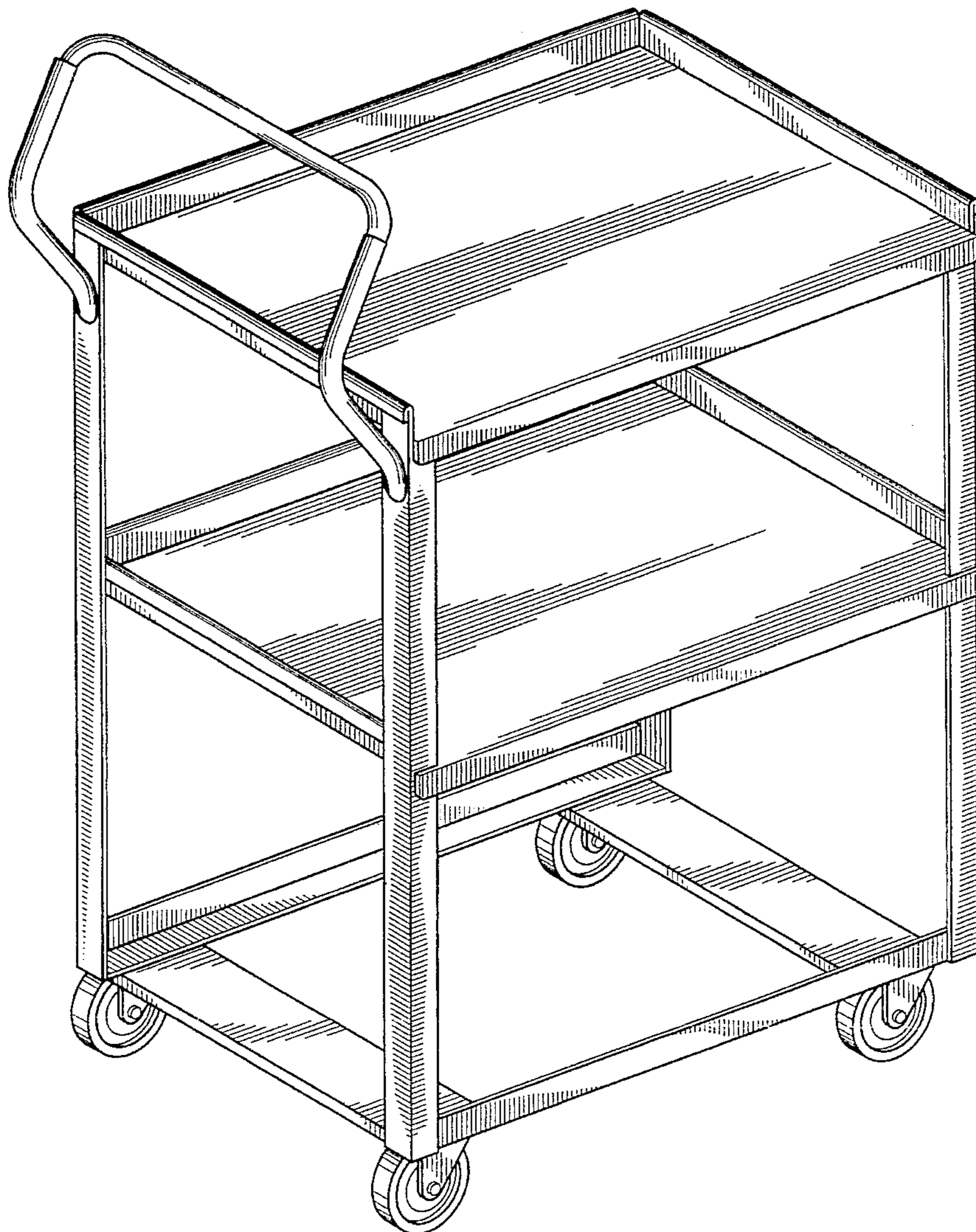
FIG. 4 is a bottom view of the cart of FIG. 1.

[56] **References Cited**

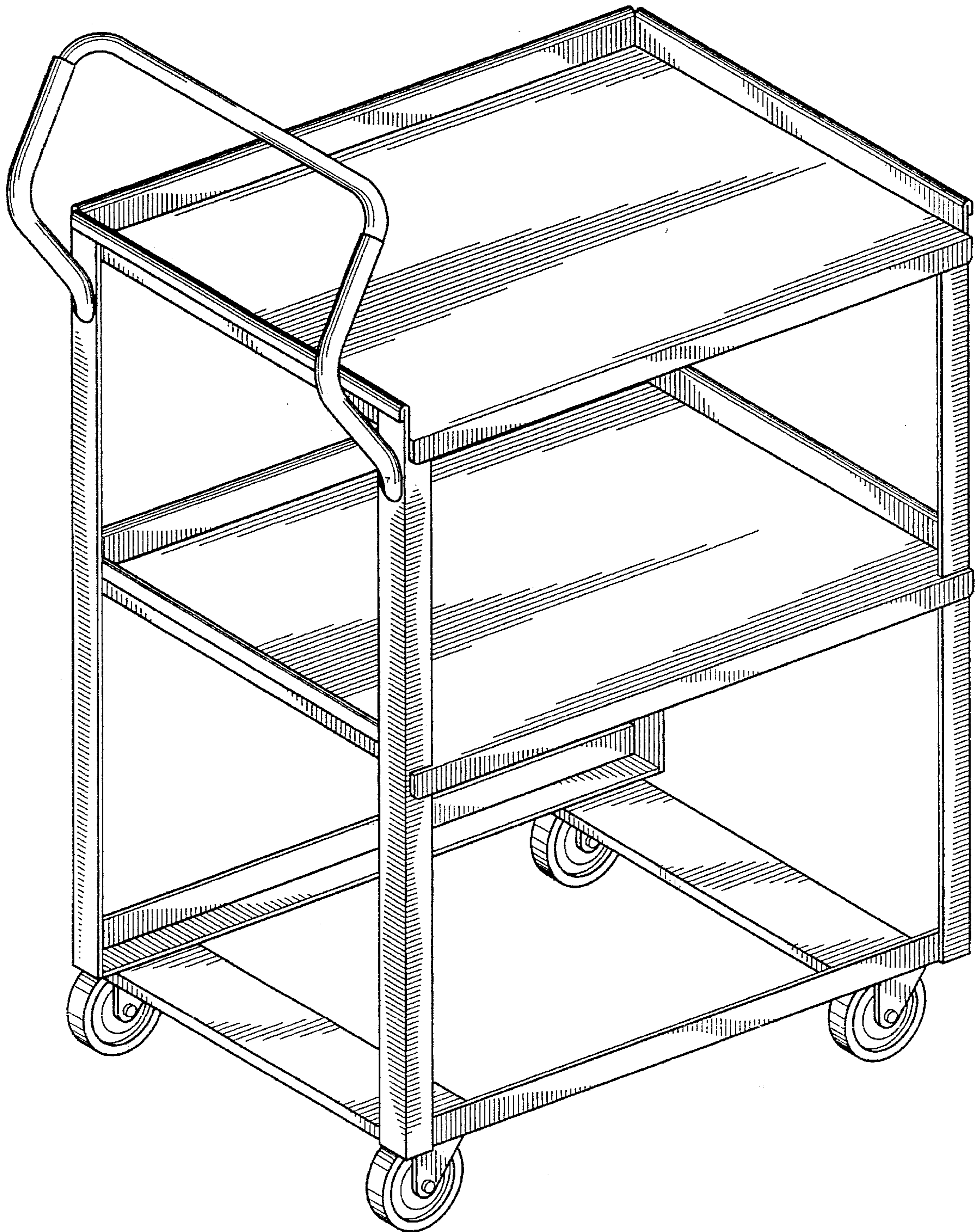
**U.S. PATENT DOCUMENTS**

4,763,799 8/1988 Cohn et al. .... 211/187

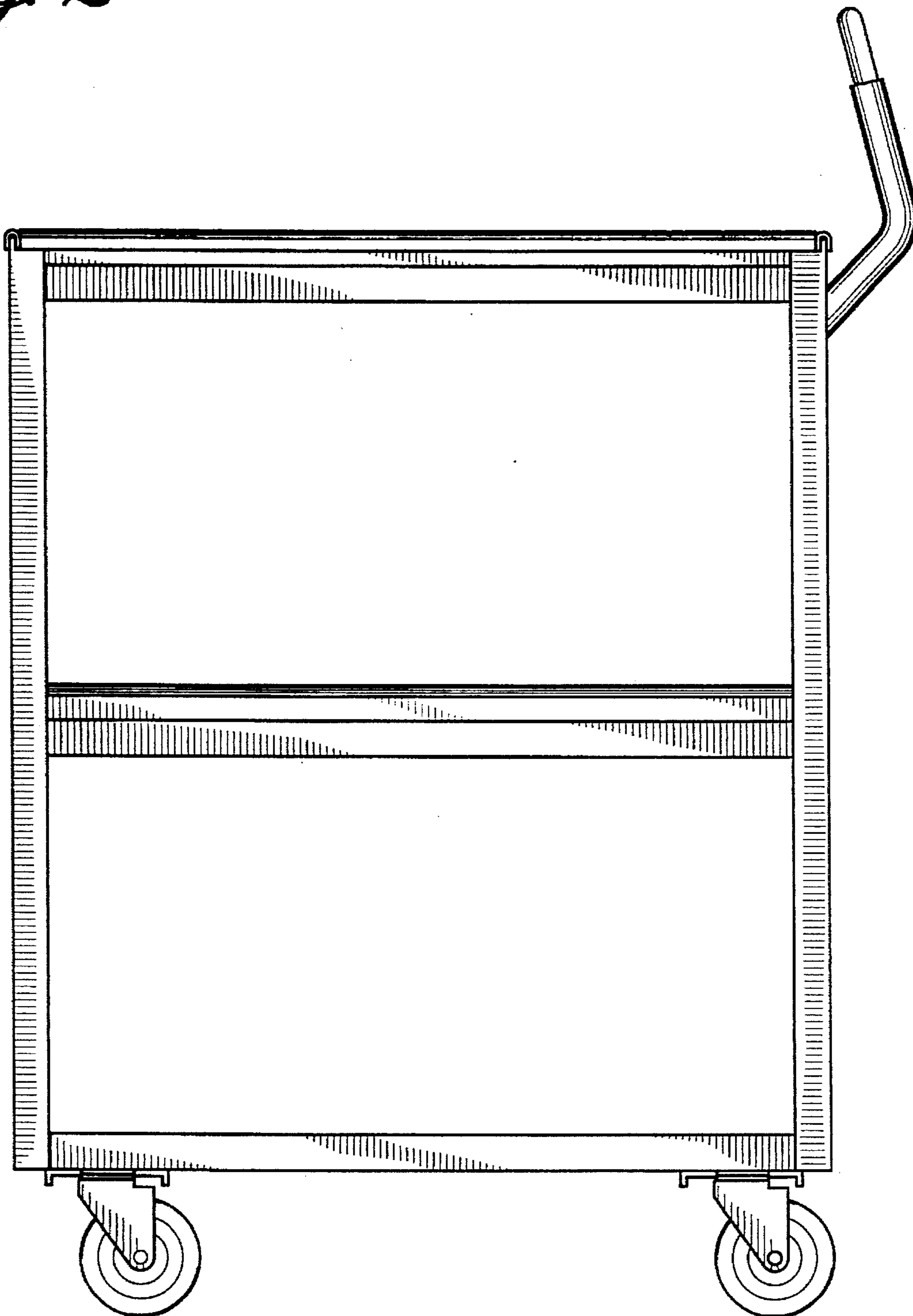
**1 Claim, 3 Drawing Sheets**

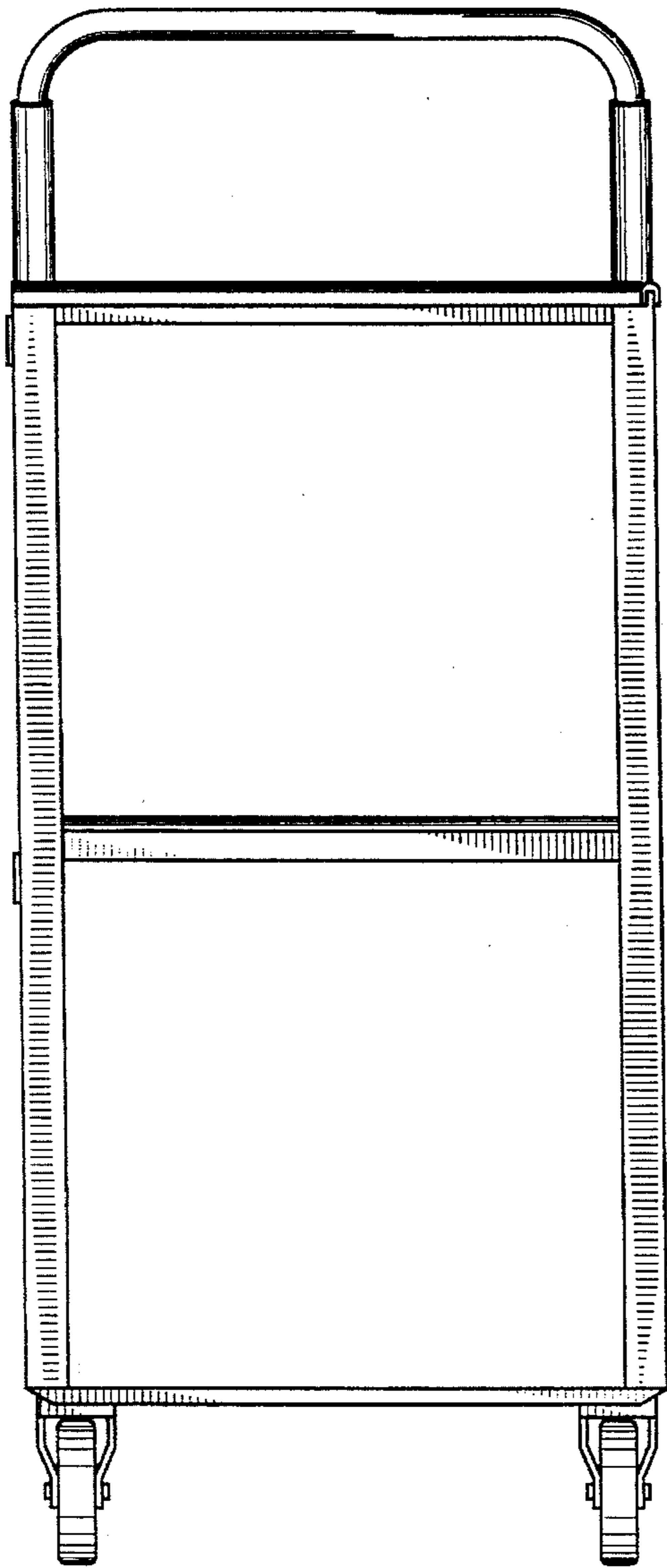


*Fig. 1*



*Fig. 2*





*Fig. 3*

*Fig. 4*

