



US00D363589S

United States Patent [19]

Lafleur et al.

[11] Patent Number: **Des. 363,589**

[45] Date of Patent: ****Oct. 24, 1995**

[54] SHOPPING CART

[75] Inventors: **John A. Lafleur; David Pilgrim**, both of Richmond, Va.

[73] Assignee: **Rehrig International, Inc.**, Richmond, Va.

[**] Term: **14 Years**

[21] Appl. No.: **22,148**

[22] Filed: **May 2, 1994**

[52] U.S. Cl. **D34/21; D34/19**

[58] Field of Search **D34/12, 17, 19, D34/20, 21, 22; 280/33.991, 33.993, 33.996, DIG. 4**

[56] References Cited

U.S. PATENT DOCUMENTS

D. 240,297	6/1976	Trubiano	D34/21
D. 246,301	11/1977	Trubiano	D34/21
D. 331,135	11/1992	Lewandowski et al.	D34/21

FOREIGN PATENT DOCUMENTS

382866 8/1990 European Pat. Off. 280/33.991

Primary Examiner—Kay H. Chin
Attorney, Agent, or Firm—Bacon & Thomas

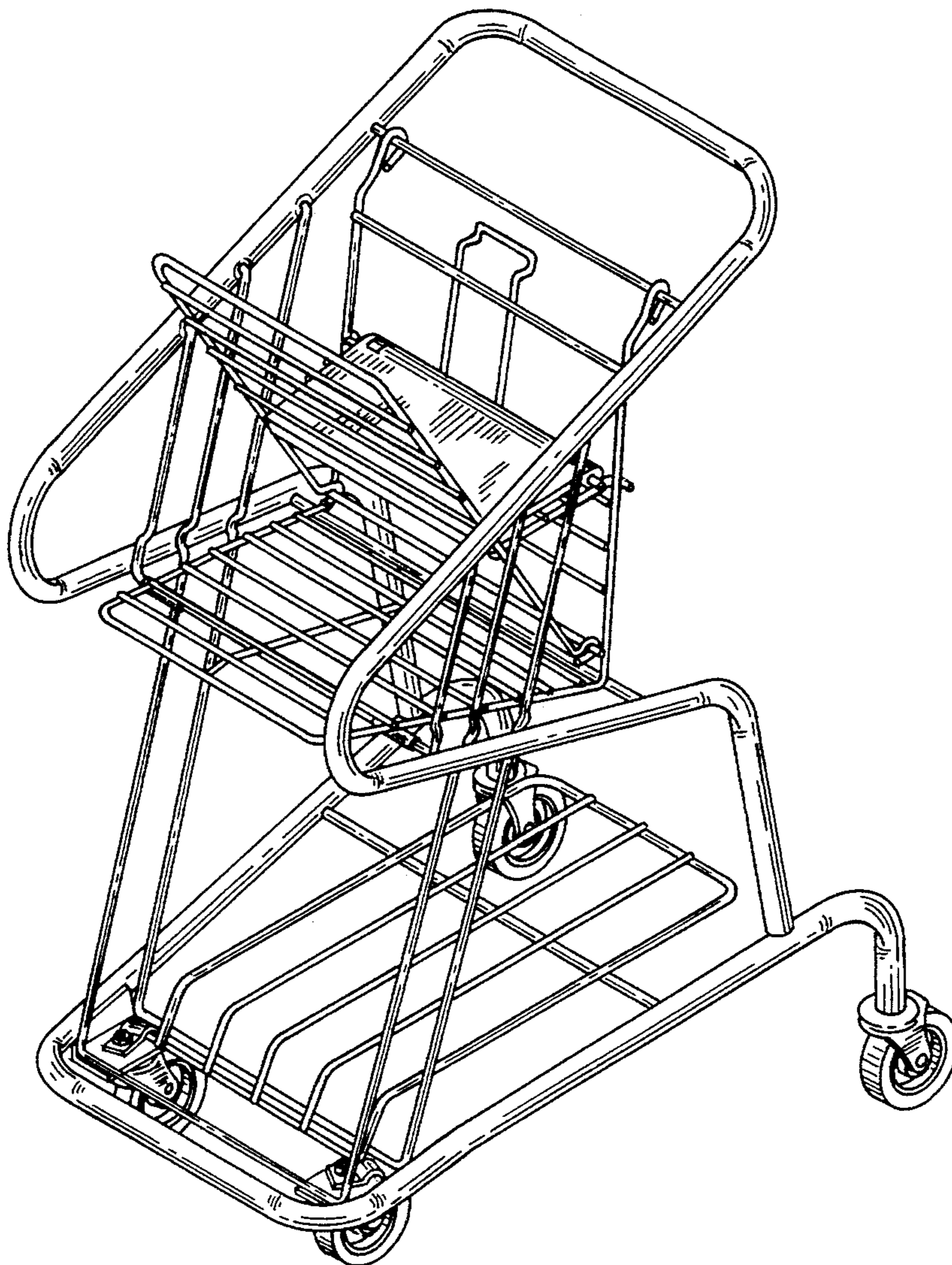
[57] CLAIM

The ornamental design for a shopping cart, as shown and described.

DESCRIPTION

FIG. 1 is an upper left side perspective view of a shopping cart showing our new design;
 FIG. 2 is a fragmentary top left perspective view of the upper portion of the shopping cart shown in FIG. 1 with the child seat retracted;
 FIG. 3 is a left side elevational view thereof, the right side being a mirror image thereof;
 FIG. 4 is a front elevational view thereof;
 FIG. 5 is a rear elevational view thereof; and,
 FIG. 6 is a bottom plan view thereof.

1 Claim, 3 Drawing Sheets



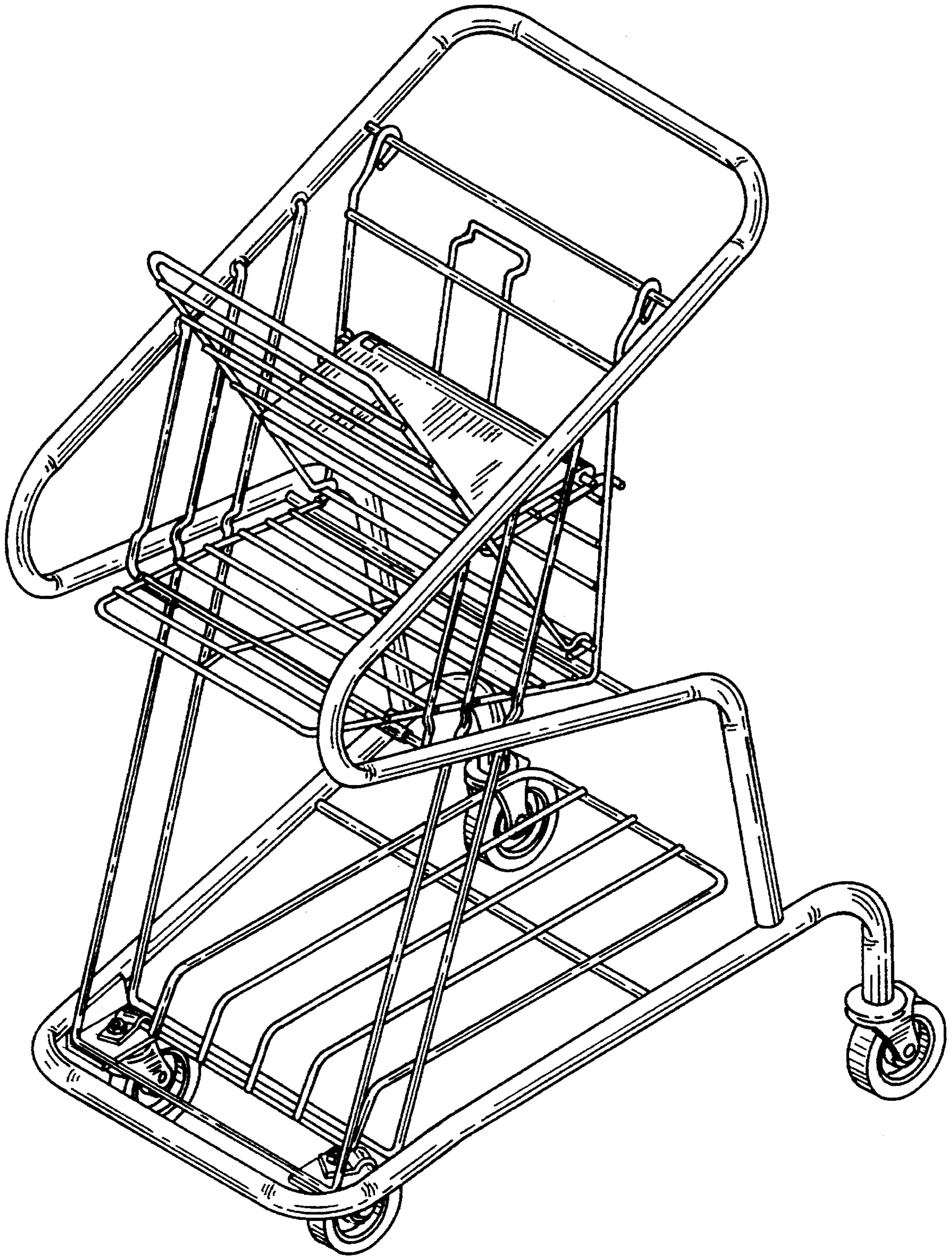


FIG. 1

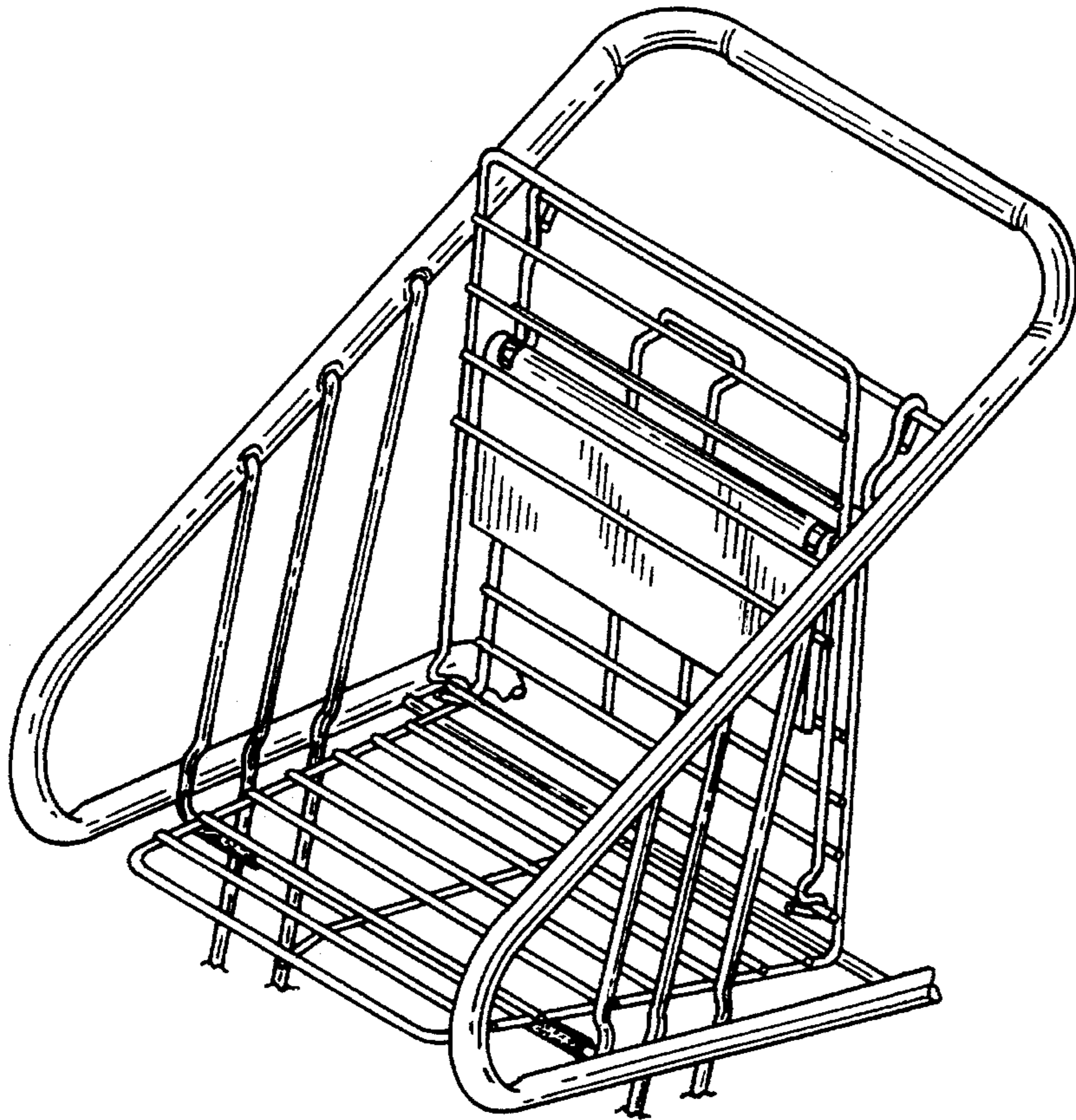


FIG. 2

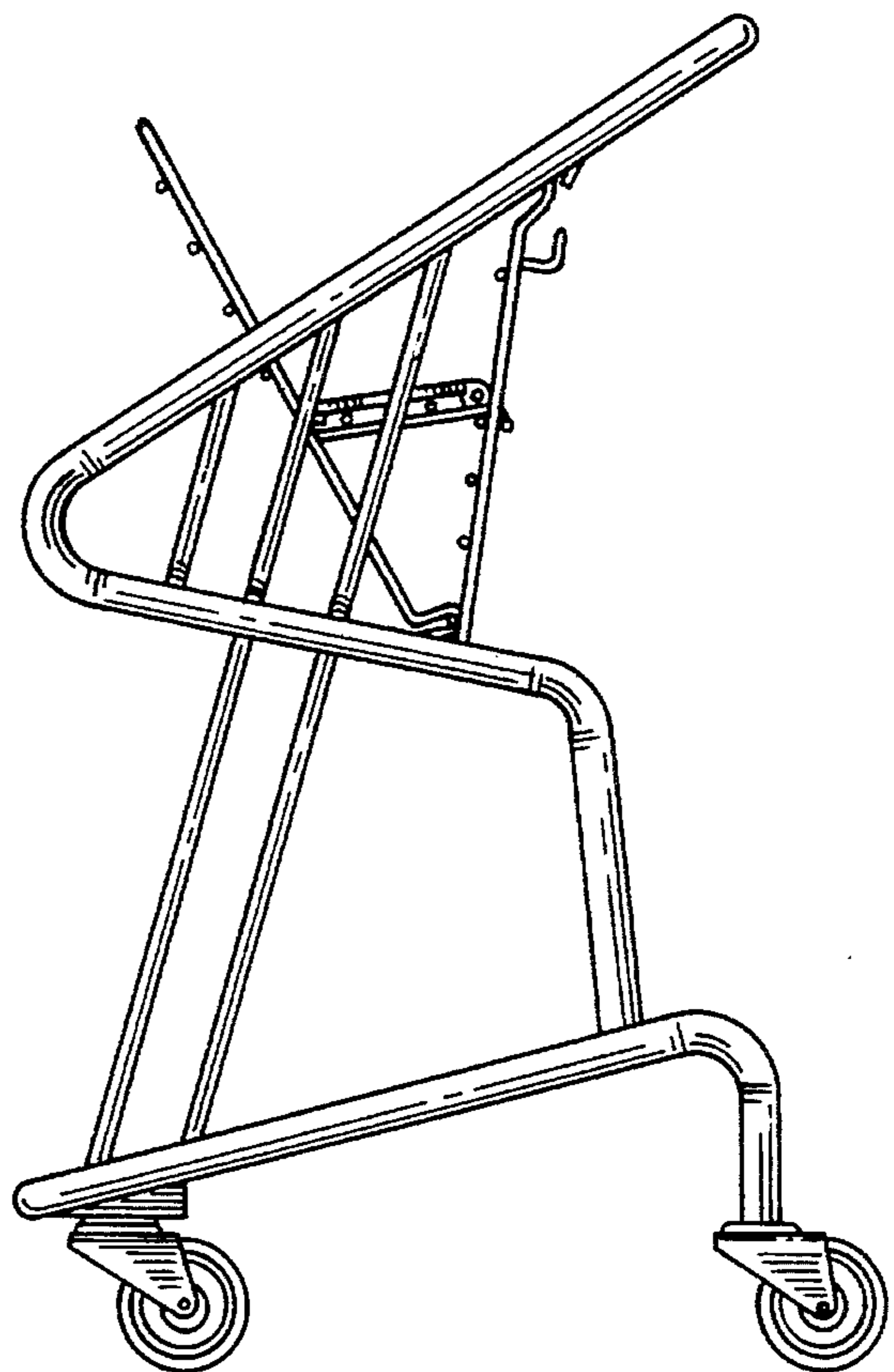


FIG. 3

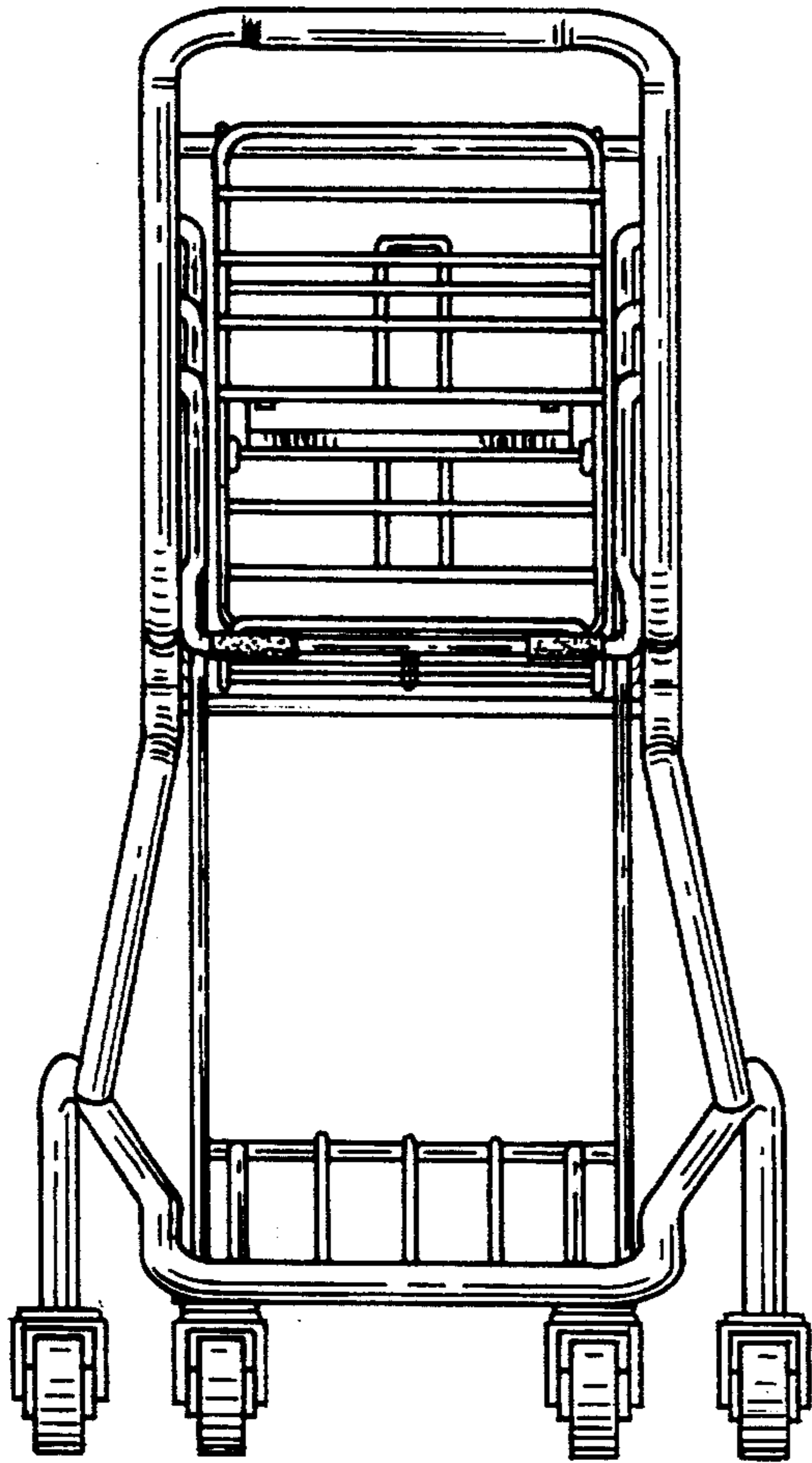


FIG. 4

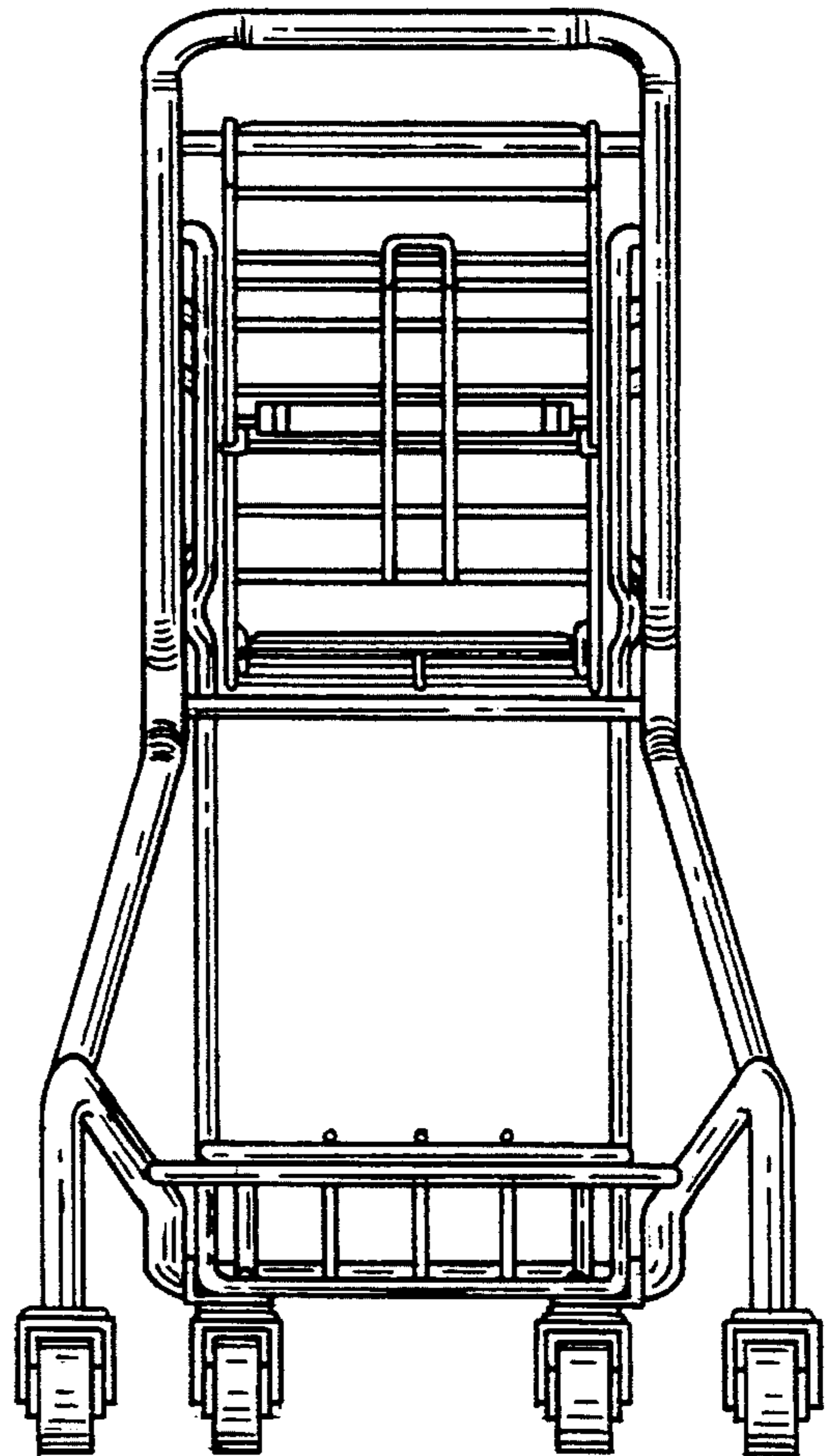


FIG. 5

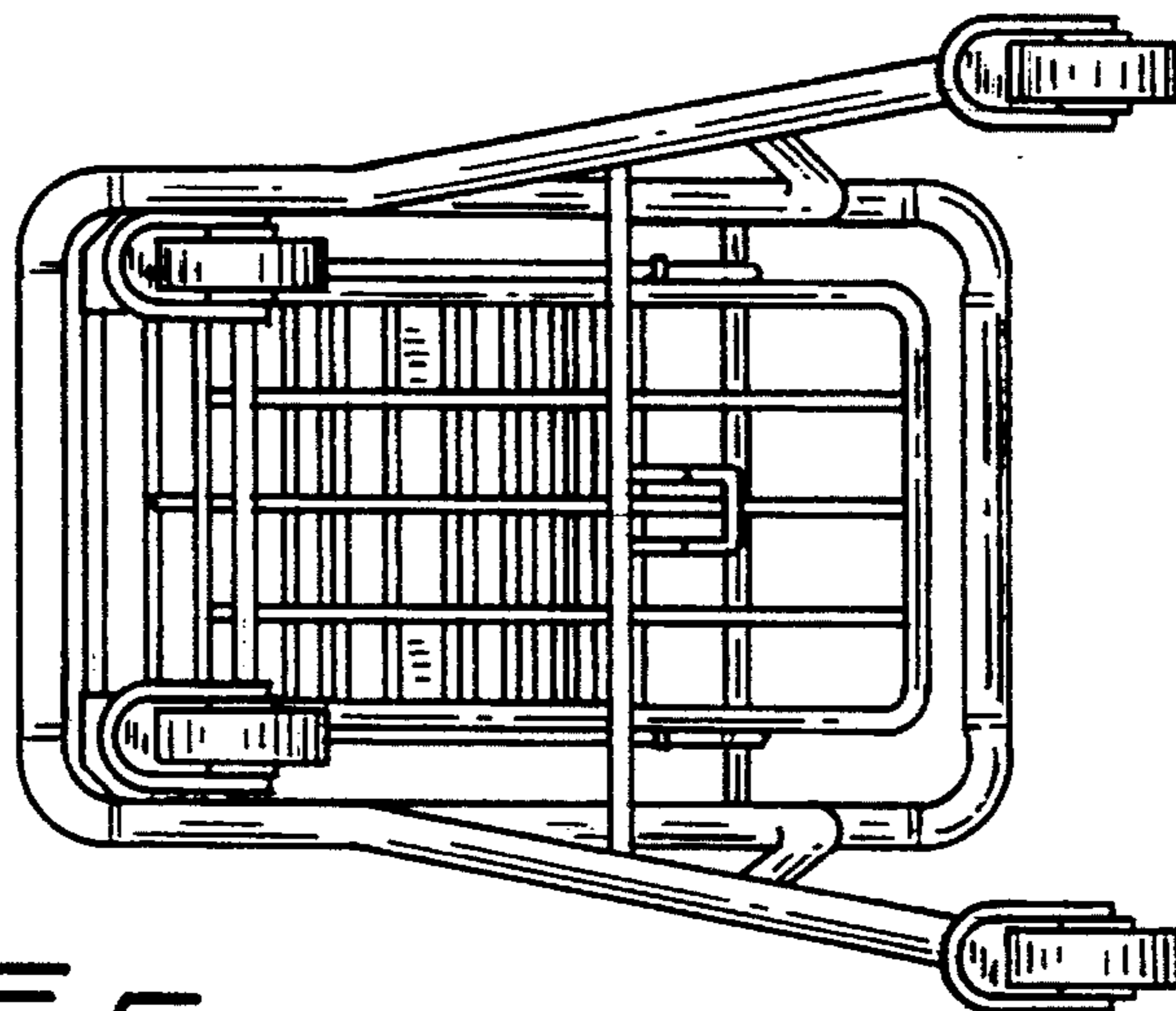


FIG. 6