



US00D363587S

United States Patent [19]
Glinski

[11] **Patent Number: Des. 363,587**

[45] **Date of Patent: **Oct. 24, 1995**

[54] **PORTABLE/SHIPPABLE DRUM RACK**

4,529,345 7/1985 Van Gompel 410/42
4,972,782 11/1990 Shepherd et al. 108/52.1

[75] Inventor: **Frank J. Glinski**, North Royalton, Ohio

Primary Examiner—Kay H. Chin
Attorney, Agent, or Firm—James A. Hudak

[73] Assignee: **GS Industries, Inc.**, Cleveland, Ohio

[57] **CLAIM**

[**] Term: **14 Years**

The ornamental design for a portable/shippable drum rack, as shown and described.

[21] Appl. No.: **26,465**

DESCRIPTION

[22] Filed: **Jul. 28, 1994**

[52] U.S. Cl. **D34/17; D34/12; D6/462**

[58] **Field of Search** D34/12, 17, 23;
280/47, 34, 79.3, 79.11; D6/462; 211/182,
189, 60.1

FIG. 1 is a perspective view of the portable/shippable drum rack showing my new design;
FIG. 2 is a front elevational view thereof, the rear elevational view being a mirror image of the view shown in this Figure;
FIG. 3 is a left side elevational view thereof, the right side elevational view being a mirror image of the view shown in this Figure;
FIG. 4 is a bottom plan view thereof; and,
FIG. 5 is a top plan view thereof.

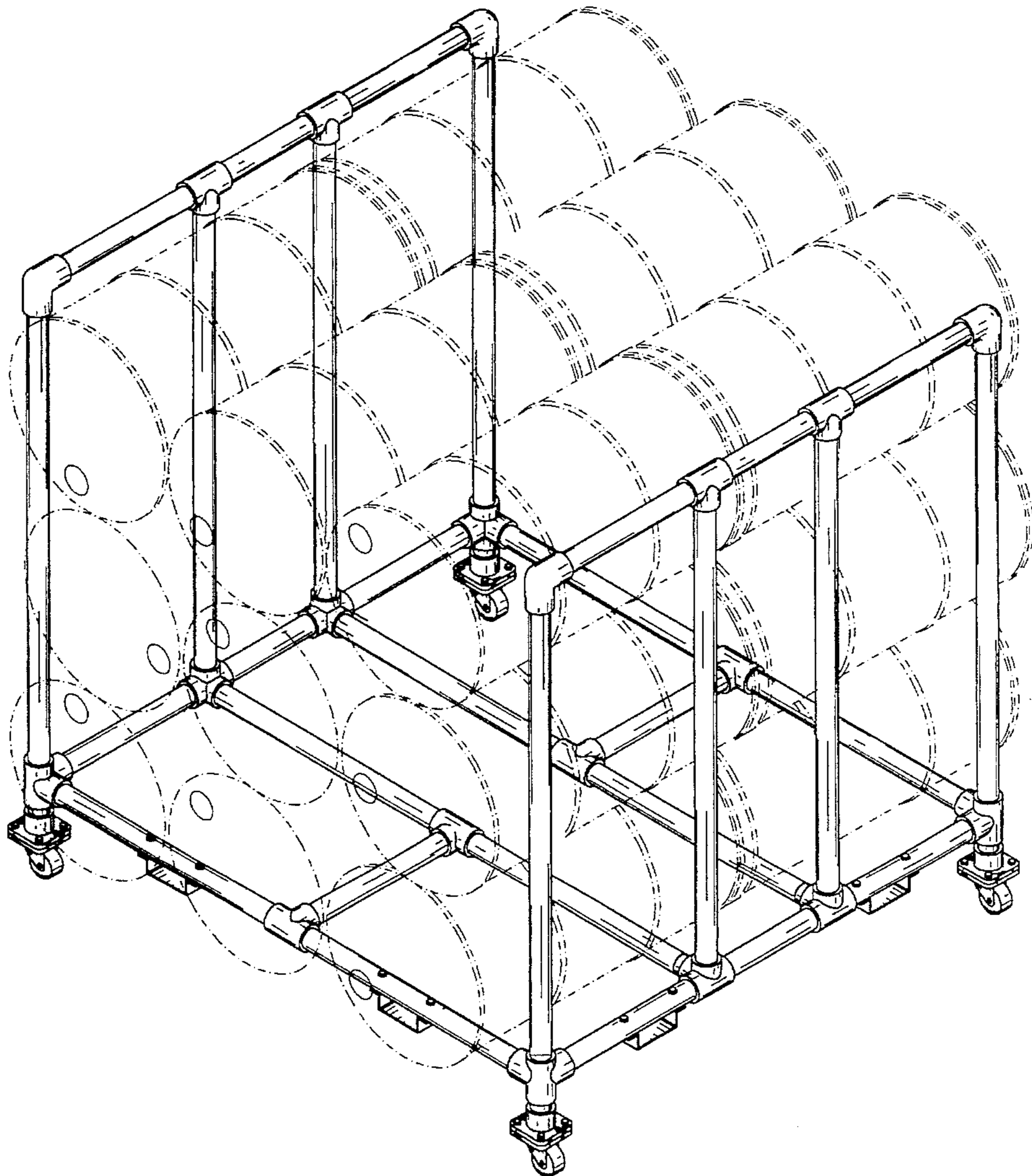
[56] **References Cited**

U.S. PATENT DOCUMENTS

D. 195,944	8/1963	Schreckengost	D34/17
D. 329,903	9/1992	Craig	D6/462
1,838,795	12/1931	Thompson .	
3,019,916	2/1962	Malcher	214/10.5
3,920,260	11/1975	Downing	280/79.3

The broken line illustration in the Figures represents drums and is not part of the design sought to be patented.

1 Claim, 3 Drawing Sheets



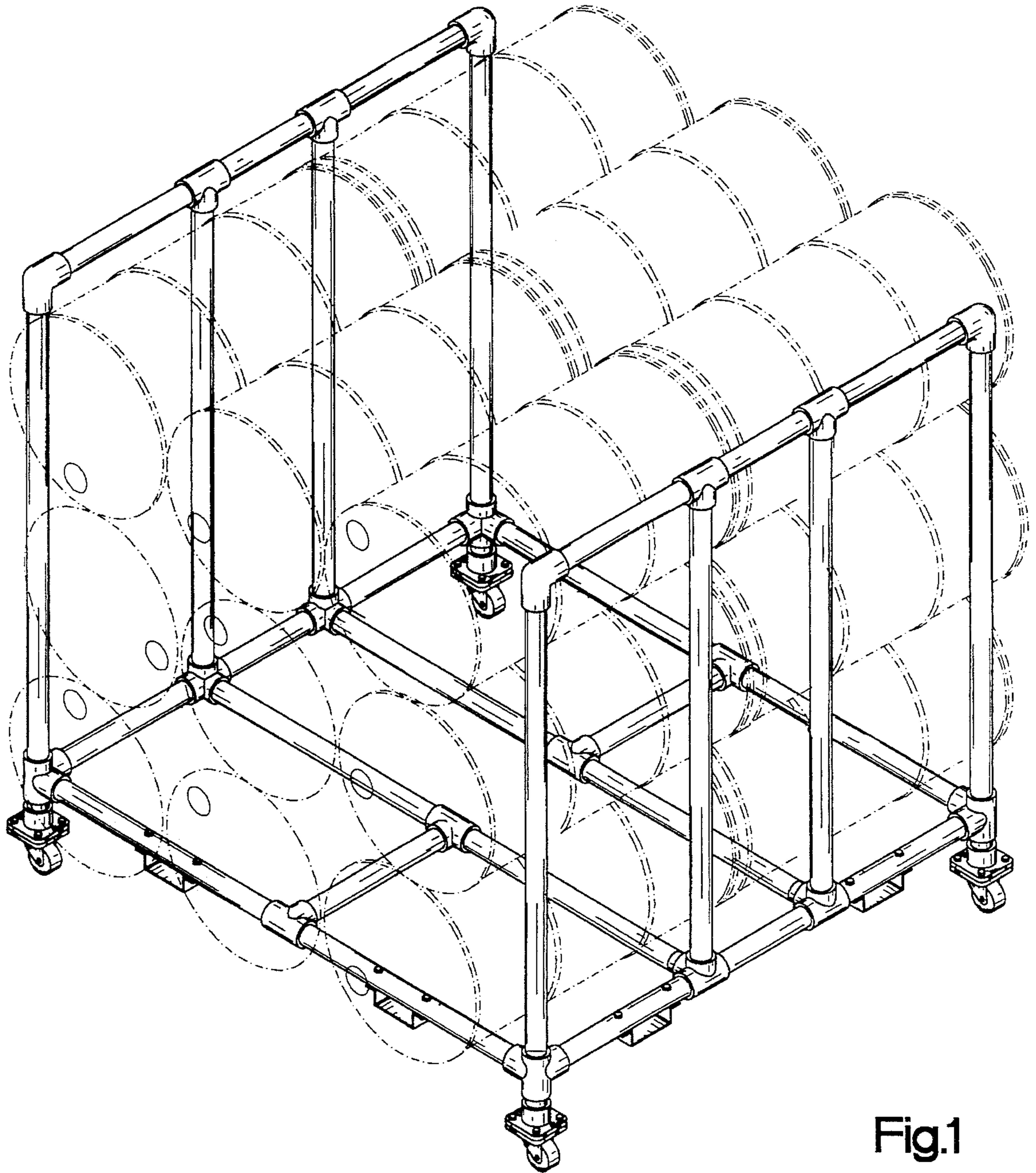


Fig.1

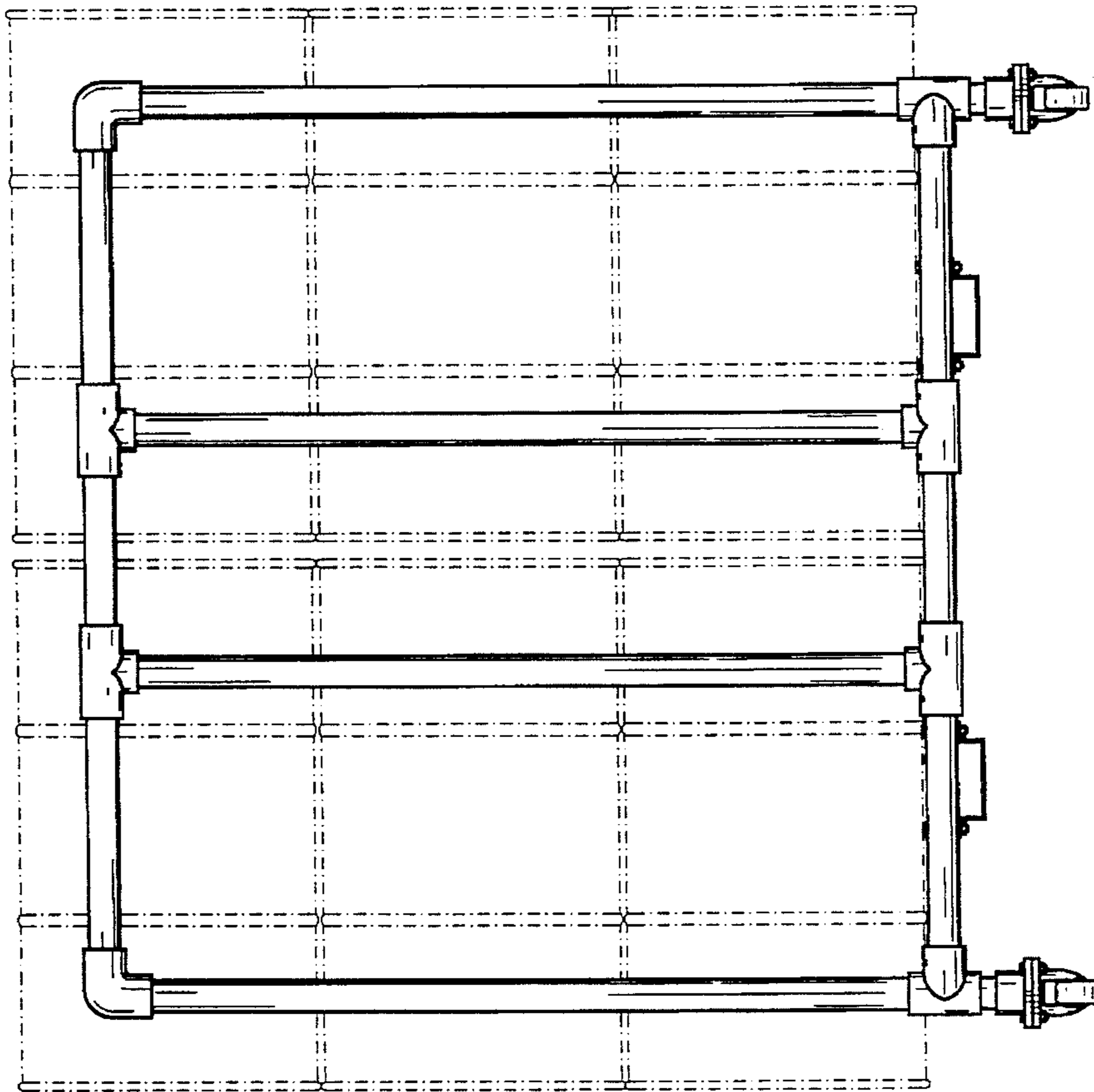


Fig.3

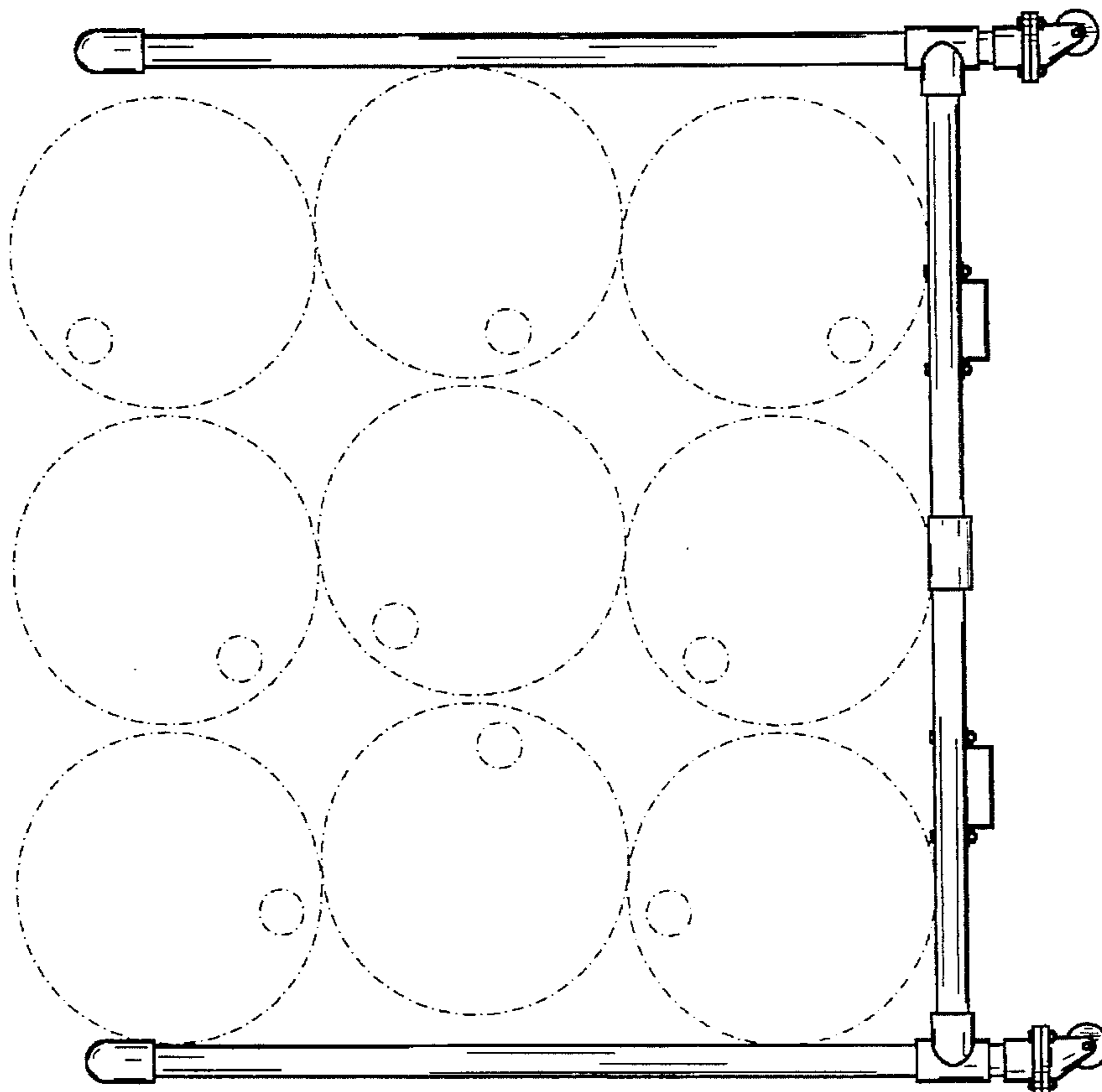


Fig.2

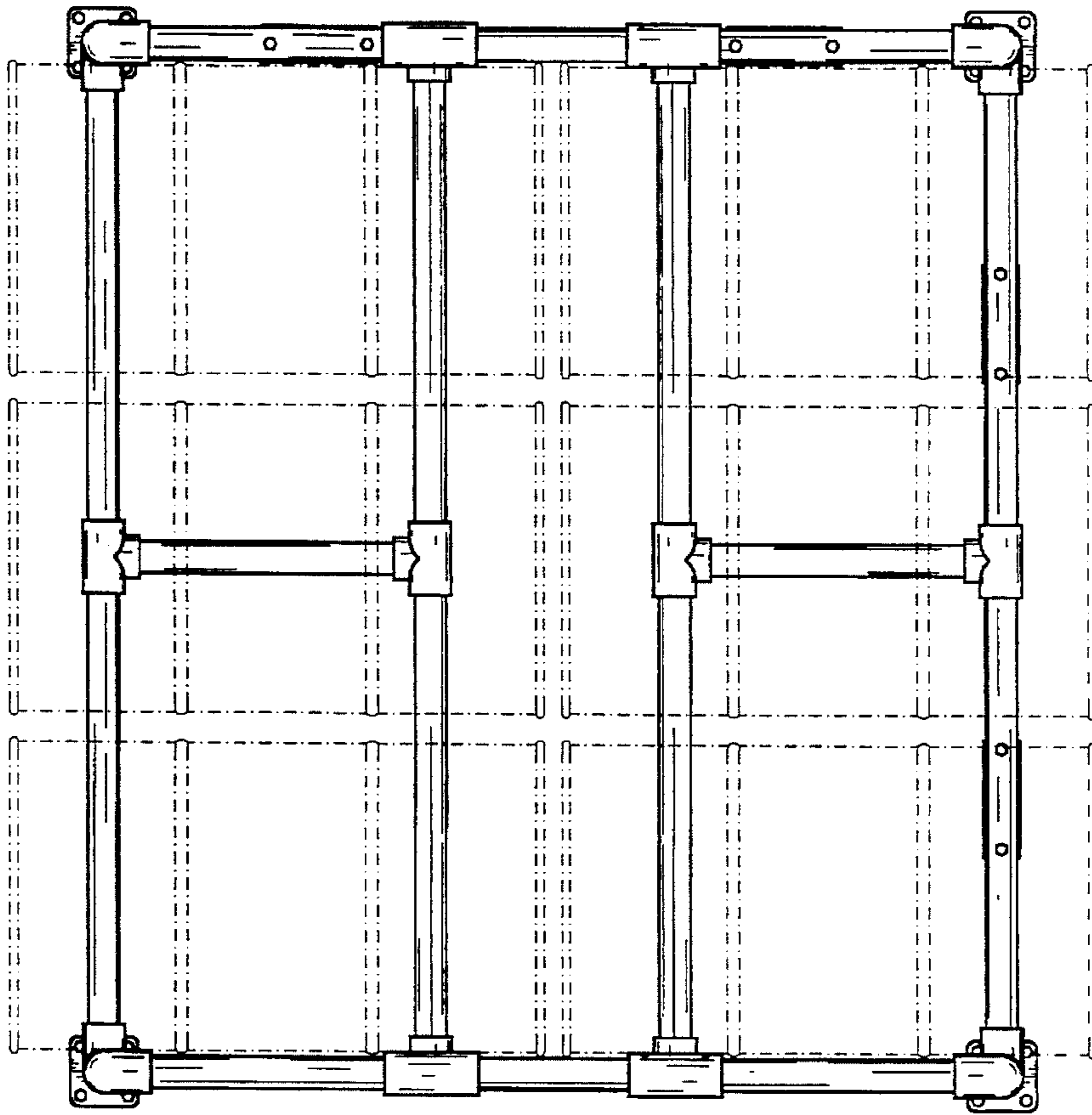


Fig.5

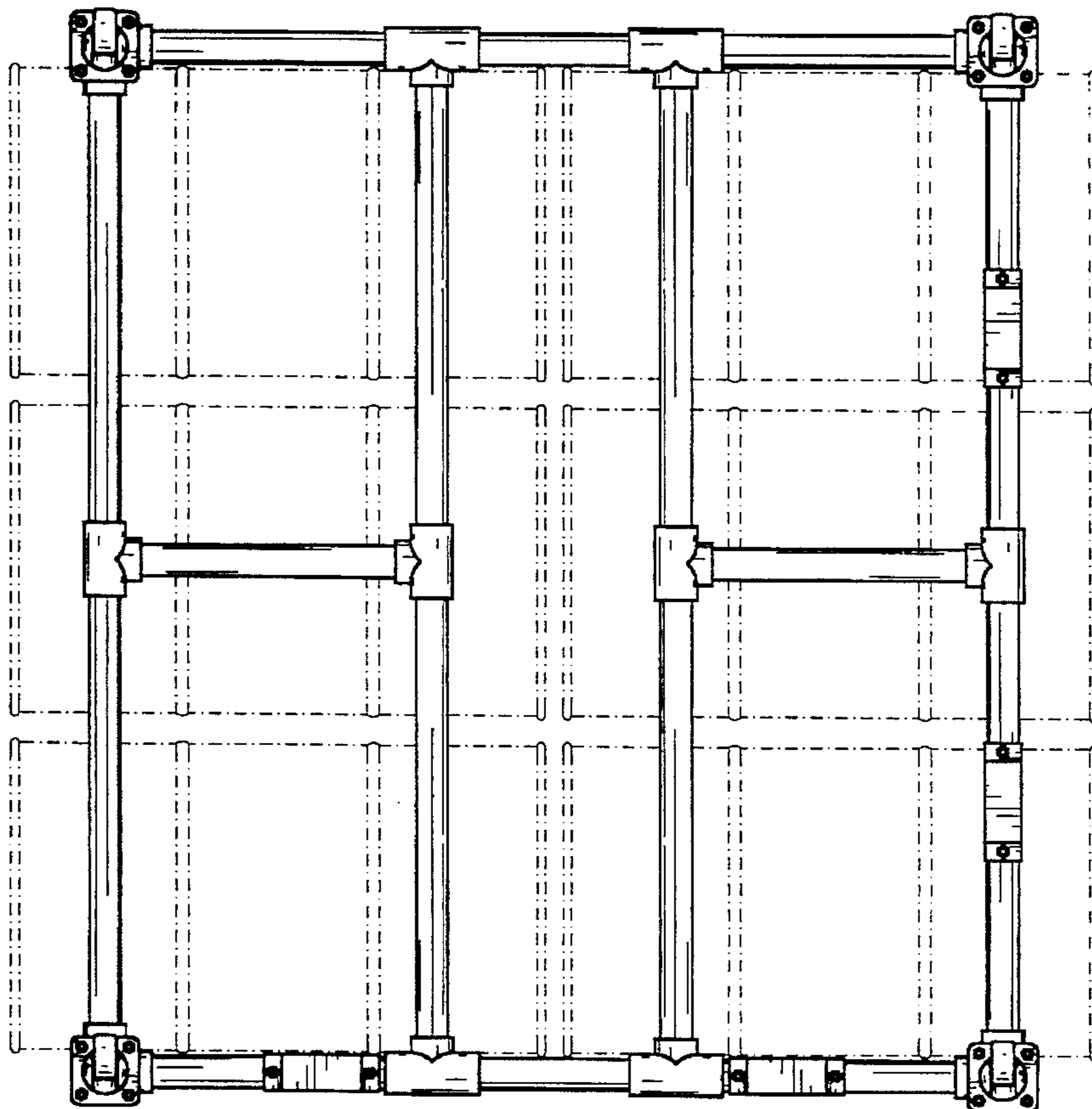


Fig.4