



US00D363585S

United States Patent [19]

[11] **Patent Number: Des. 363,585**

Crossman et al.

[45] **Date of Patent: **Oct. 24, 1995**

[54] **CART**

3,055,449	9/1962	Murphy	180/19.1
3,328,046	6/1967	Drew	280/47.3
3,820,807	6/1974	Curran	280/47.3
3,907,323	9/1975	Knapp et al.	280/47.3
4,444,405	4/1984	Barrus	280/47.3
4,824,127	4/1989	Stamm	280/47.3

[76] Inventors: **Wilfred L. Crossman**, 35 Brenda La., Merrimack, N.H. 03054; **Robert F. McLaughlin**, 45 Packard Dr., Bangor, Me. 04401

[**] Term: **14 Years**

Primary Examiner—Kay H. Chin

[21] Appl. No.: **22,437**

[57] **CLAIM**

[22] Filed: **May 5, 1994**

The ornamental design for a cart, as shown and described.

[52] **U.S. Cl.** **D34/12**

DESCRIPTION

[58] **Field of Search** D34/12, 24; 280/47.3, 280/47.26; 296/20, 27

FIG. 1 is a left side elevational view of the cart showing our new design;
FIG. 2 is a right side elevational view thereof;
FIG. 3 is a front elevational view thereof;
FIG. 4 is a rear elevational view thereof;
FIG. 5 is a top plan view thereof; and,
FIG. 6 is a bottom plan view thereof.

[56] **References Cited**

U.S. PATENT DOCUMENTS

2,416,492	2/1947	Neeley	280/47.3
2,918,296	12/1959	Goodale	280/47.3
2,979,338	4/1961	Dwyer	280/47.3

1 Claim, 3 Drawing Sheets

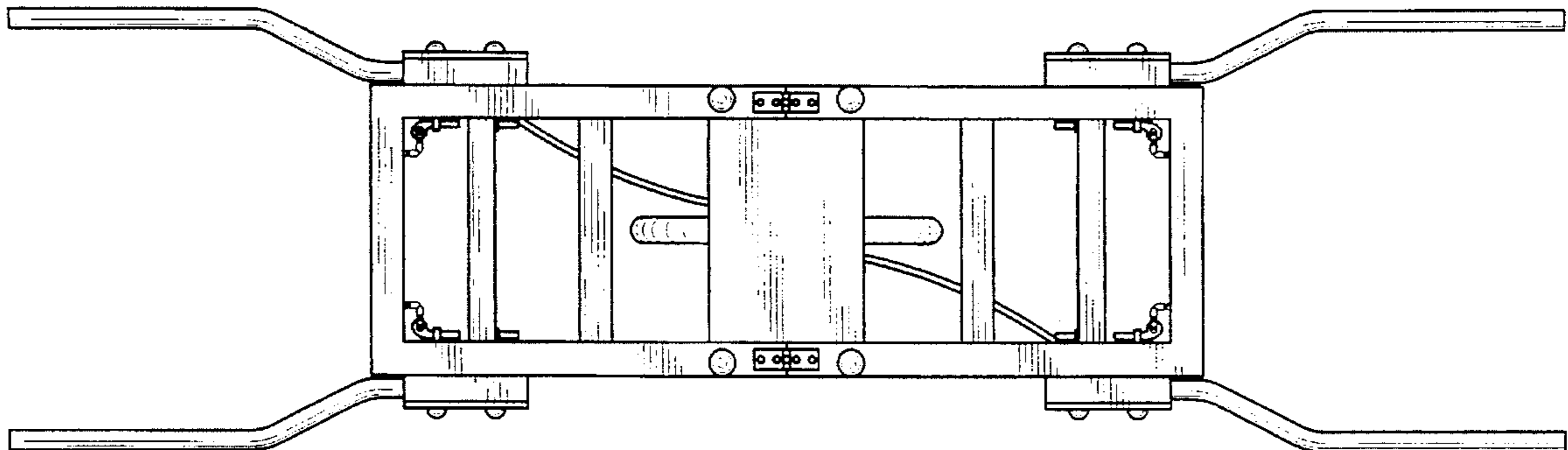
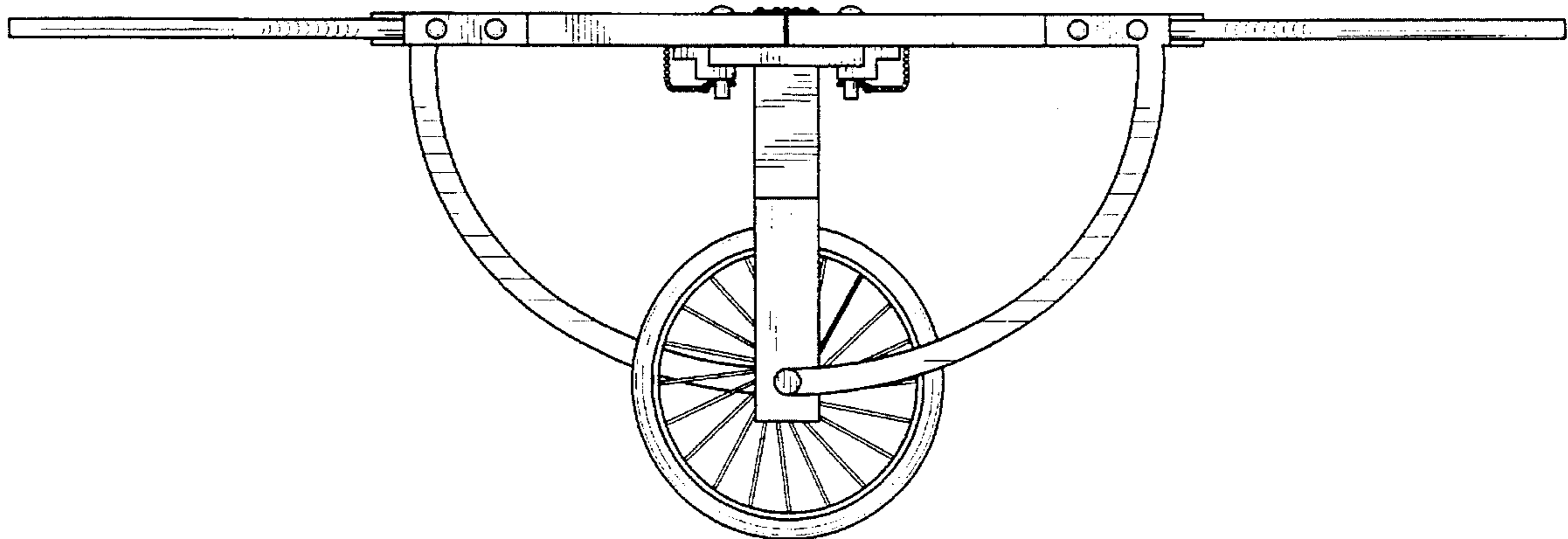


FIG. 1

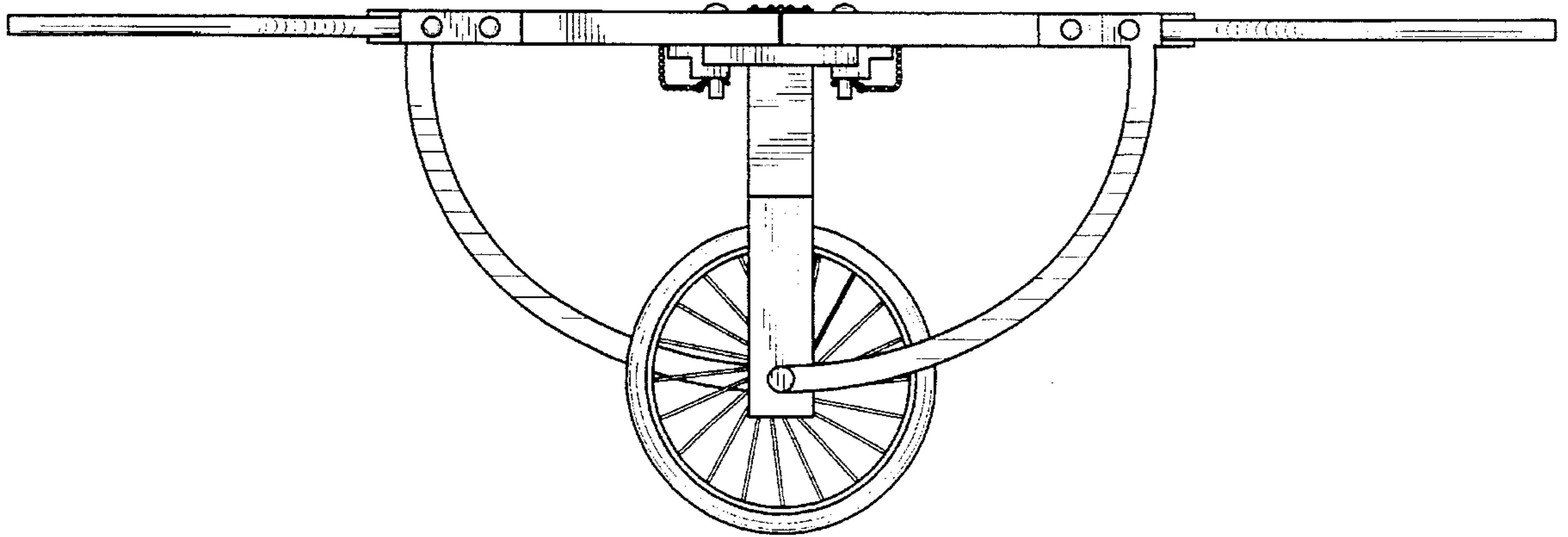


FIG. 2

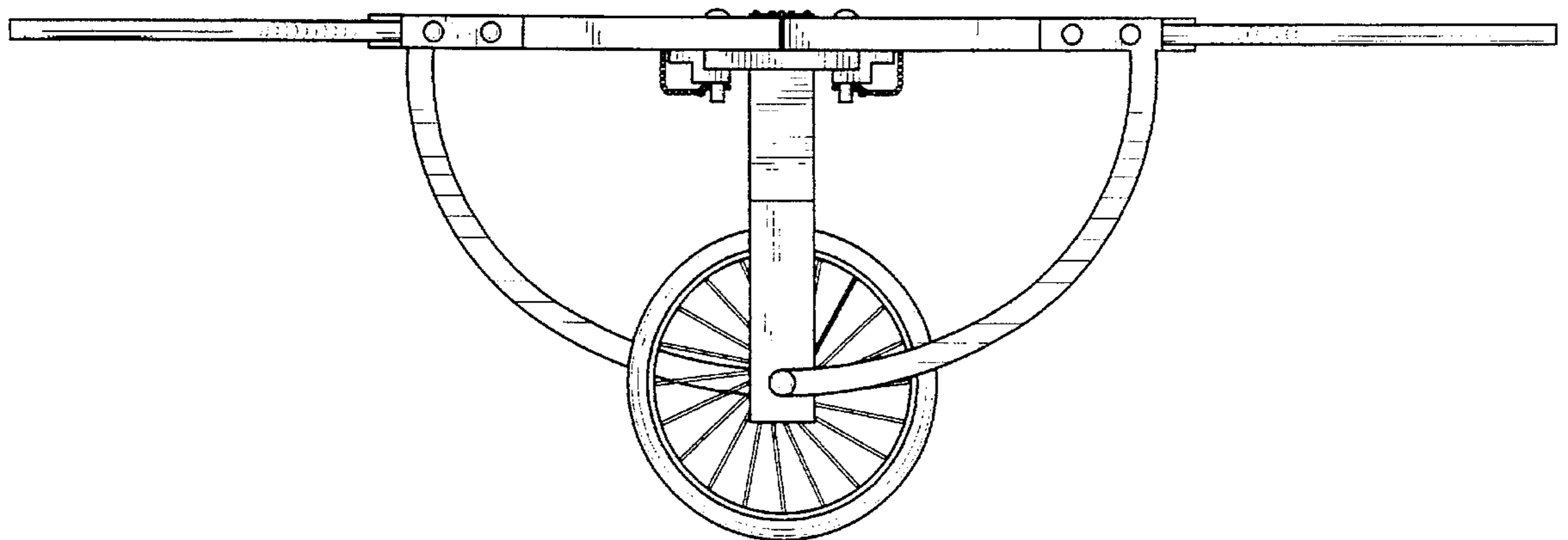


FIG. 3

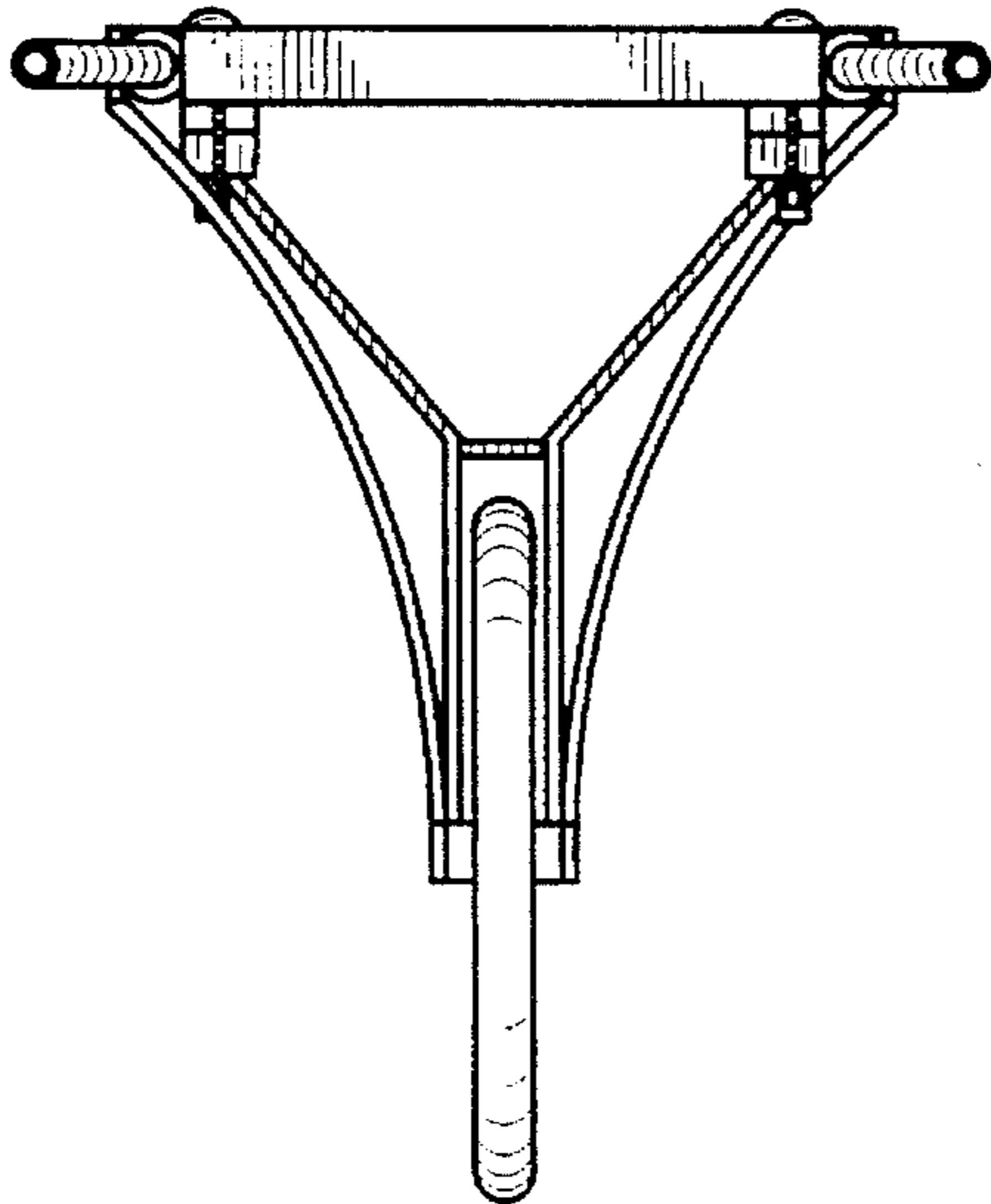


FIG. 4

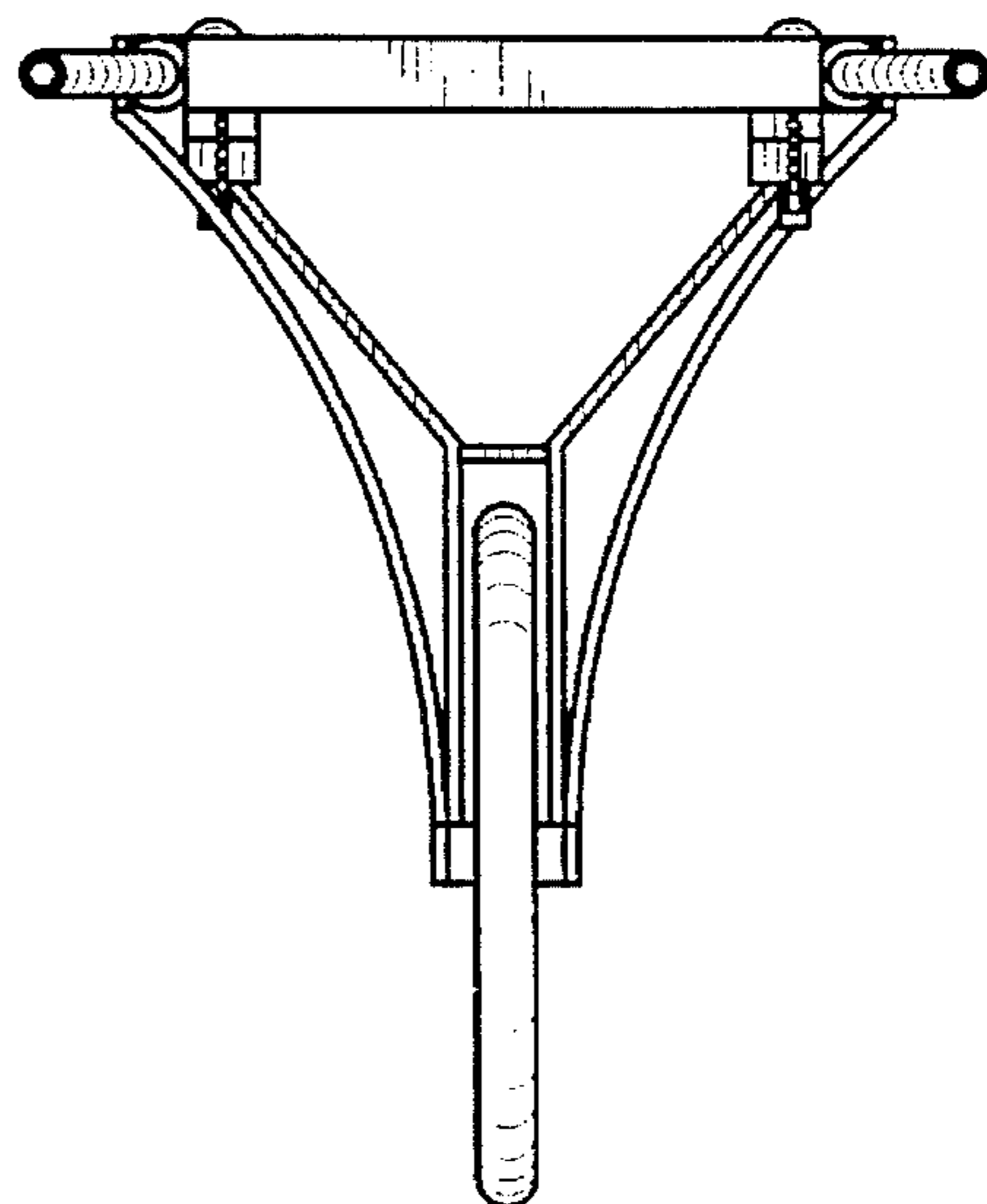


FIG. 5

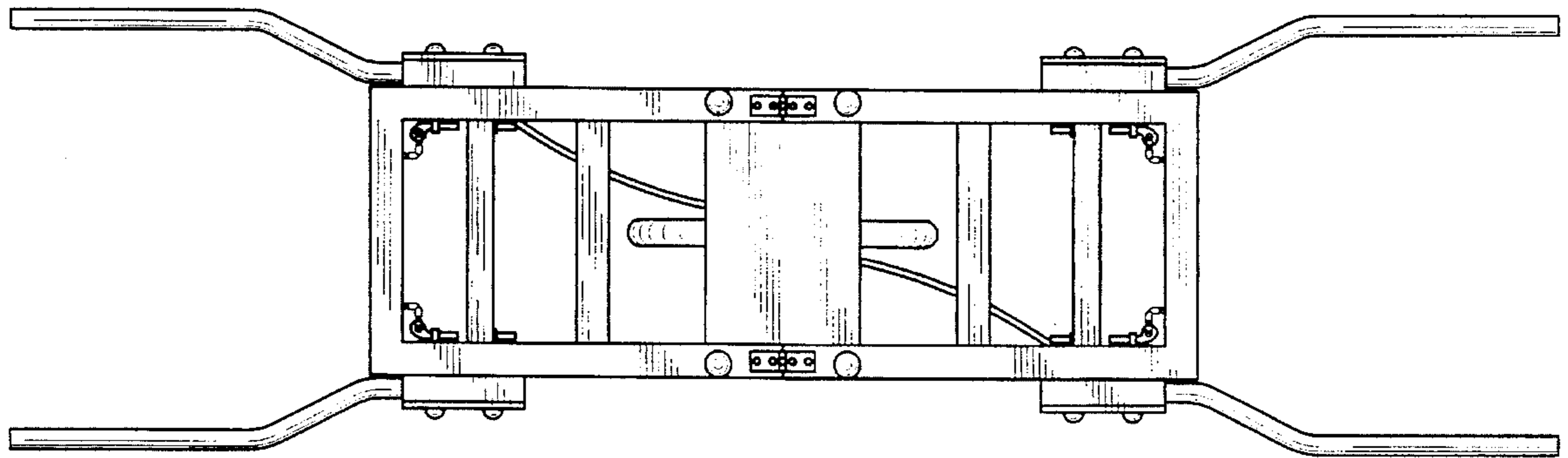


FIG. 6

