



US00D363582S

# United States Patent [19] Siler

[11] Patent Number: **Des. 363,582**

[45] Date of Patent: **\*\*Oct. 24, 1995**

[54] **FLEXIBLE CURLING DUSTPAN**

1,424,761 8/1922 Hall ..... 15/257.2  
3,380,101 10/1966 Phillips ..... 15/257.1

[76] Inventor: **Buzz L. Siler**, 3328 Lakeview Blvd.,  
Lake Oswego, Oreg. 97035

*Primary Examiner*—Susan J. Lucas  
*Assistant Examiner*—Cynthia Ramirez

[\*\*] Term: **14 Years**

[57] **CLAIM**

[21] Appl. No.: **17,869**

The ornamental design for a flexible curling dustpan, as shown and described.

[22] Filed: **Jan. 24, 1994**

[52] U.S. Cl. .... **D32/74**

**DESCRIPTION**

[58] **Field of Search** ..... D32/74, 40, 46,  
D32/49, 35, 47, 48; D8/16; 15/236.01,  
236.02, 257.1-257.9, 236.01, 237, 236.02,  
236.03, 236.06, 236.09

FIG. 1 is a top perspective view of the flexible curling dustpan;

FIG. 2 is a front edge view thereof;

FIG. 3 is a top elevational view thereof;

FIG. 4 is a rear edge view thereof;

FIG. 5 is a bottom plan view thereof;

FIG. 6 is a perspective view thereof in a fully curled condition in an enlarged scale, the broken line showing of the broom being for illustrative purposes only and forms no part of the claimed design; and,

FIG. 7 is a perspective view thereof in a partially curled condition.

[56] **References Cited**

**U.S. PATENT DOCUMENTS**

D. 42,974	9/1912	Nelson	.....	D32/74
D. 58,232	6/1921	Hines	.....	D32/74
D. 58,605	8/1921	Livingston	.....	D32/47
D. 67,490	2/1925	Briggs	.....	D32/74
D. 199,962	1/1965	Peterson	.....	D32/46
D. 208,190	8/1967	Parry	.....	D32/46
D. 275,930	10/1984	Sheppard	.....	D8/16
D. 299,055	12/1988	Swamy	.....	D32/46 X

**1 Claim, 1 Drawing Sheet**

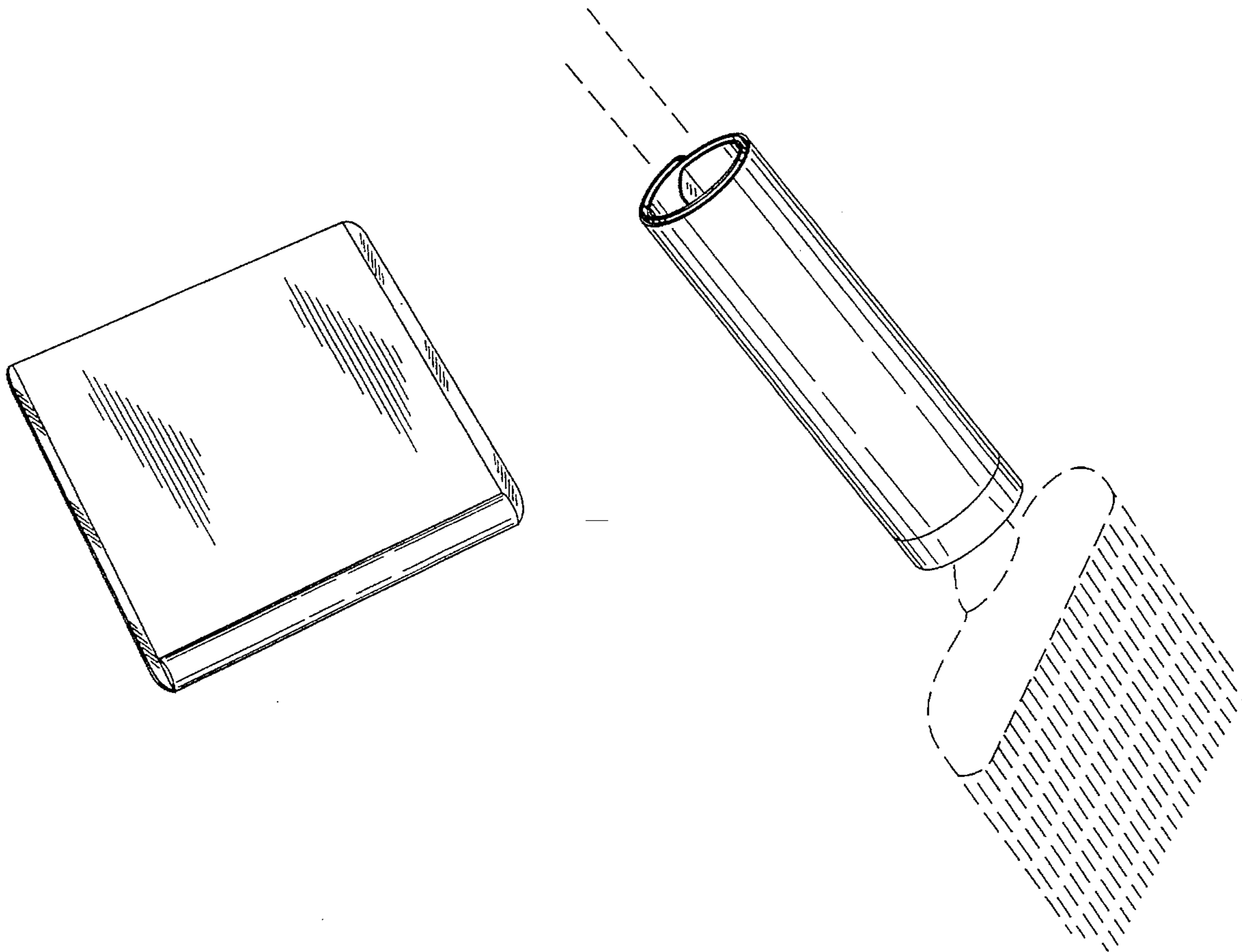


FIG. 1

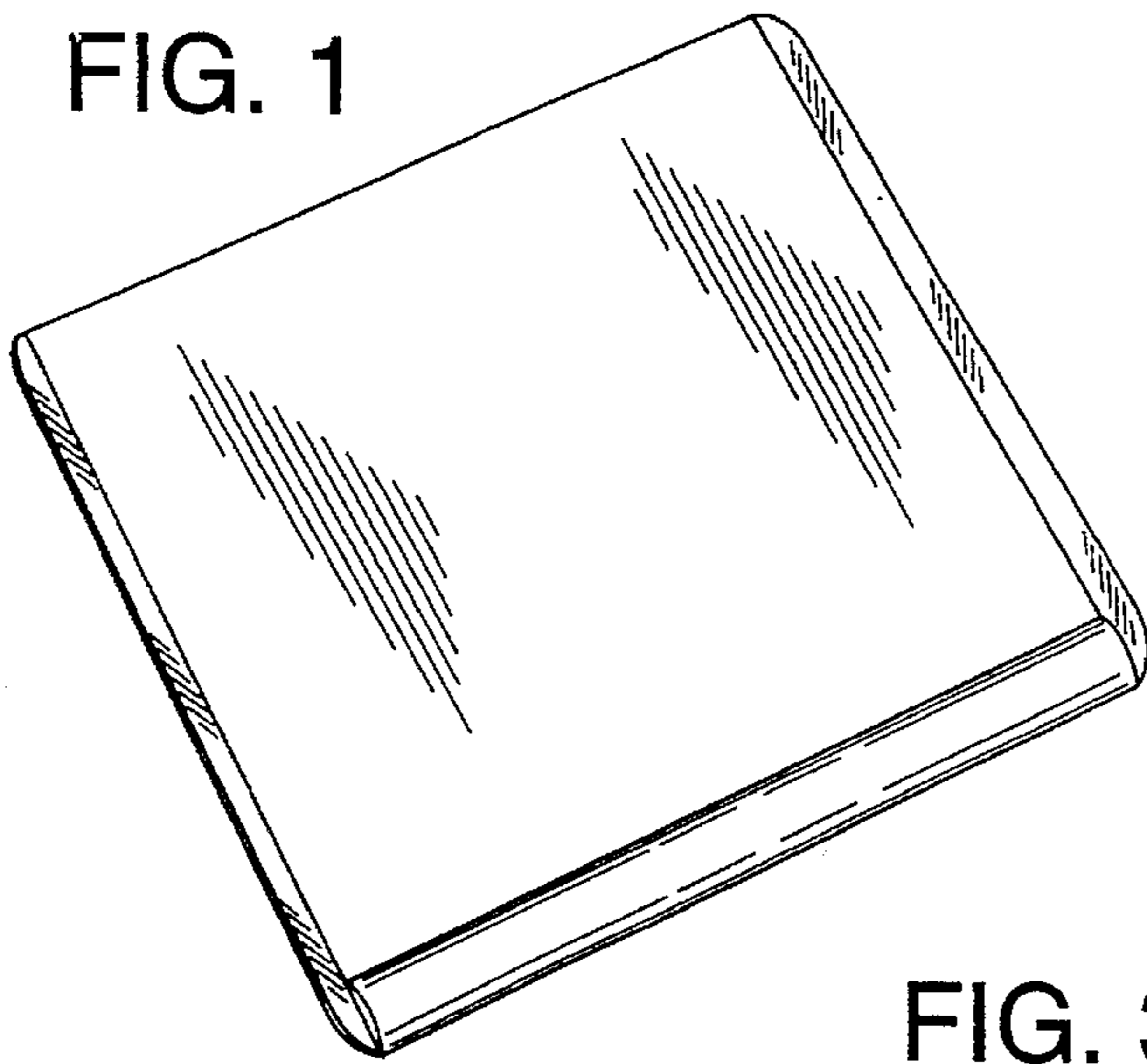


FIG. 2

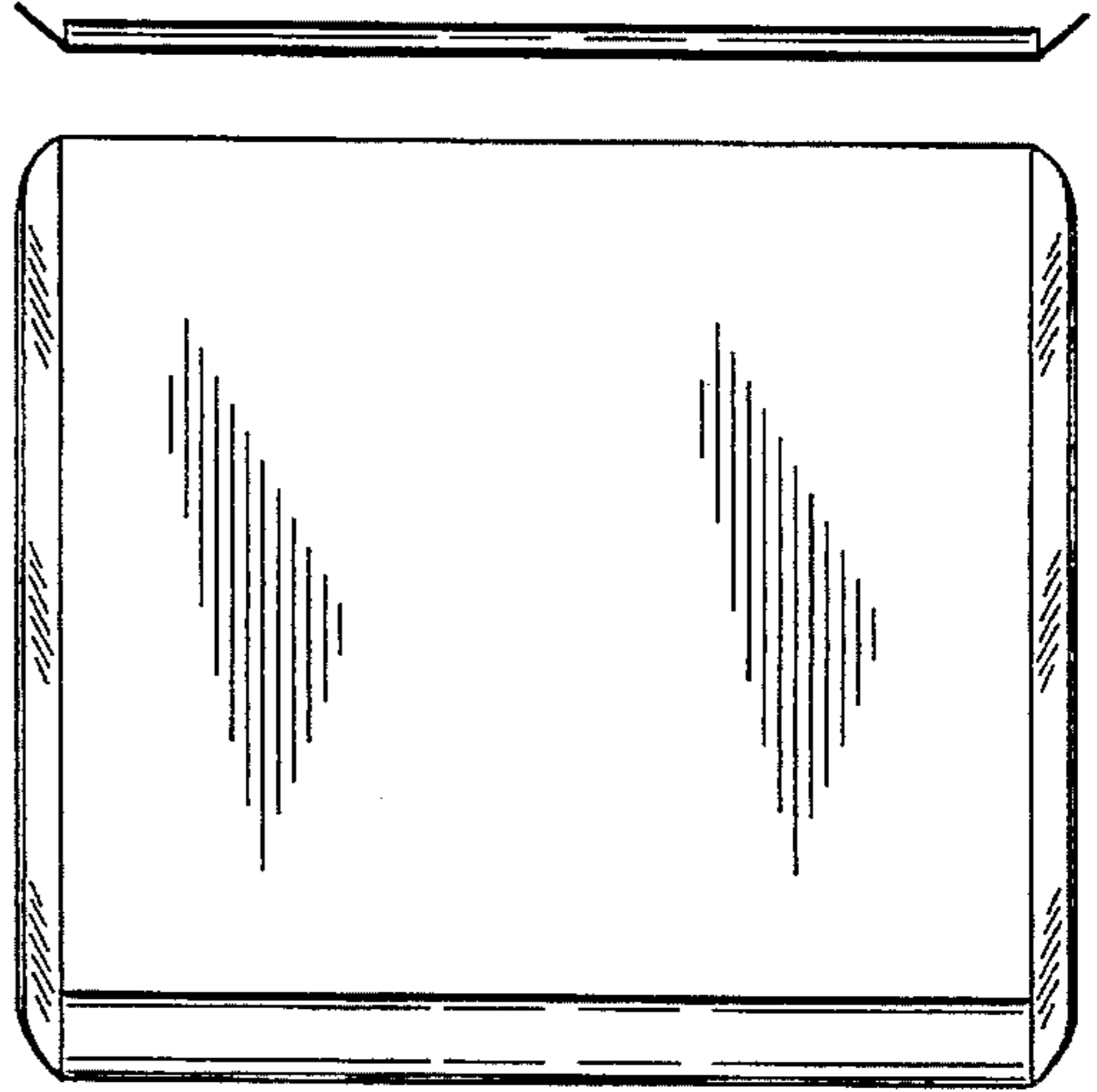


FIG. 3

FIG. 4

FIG. 5

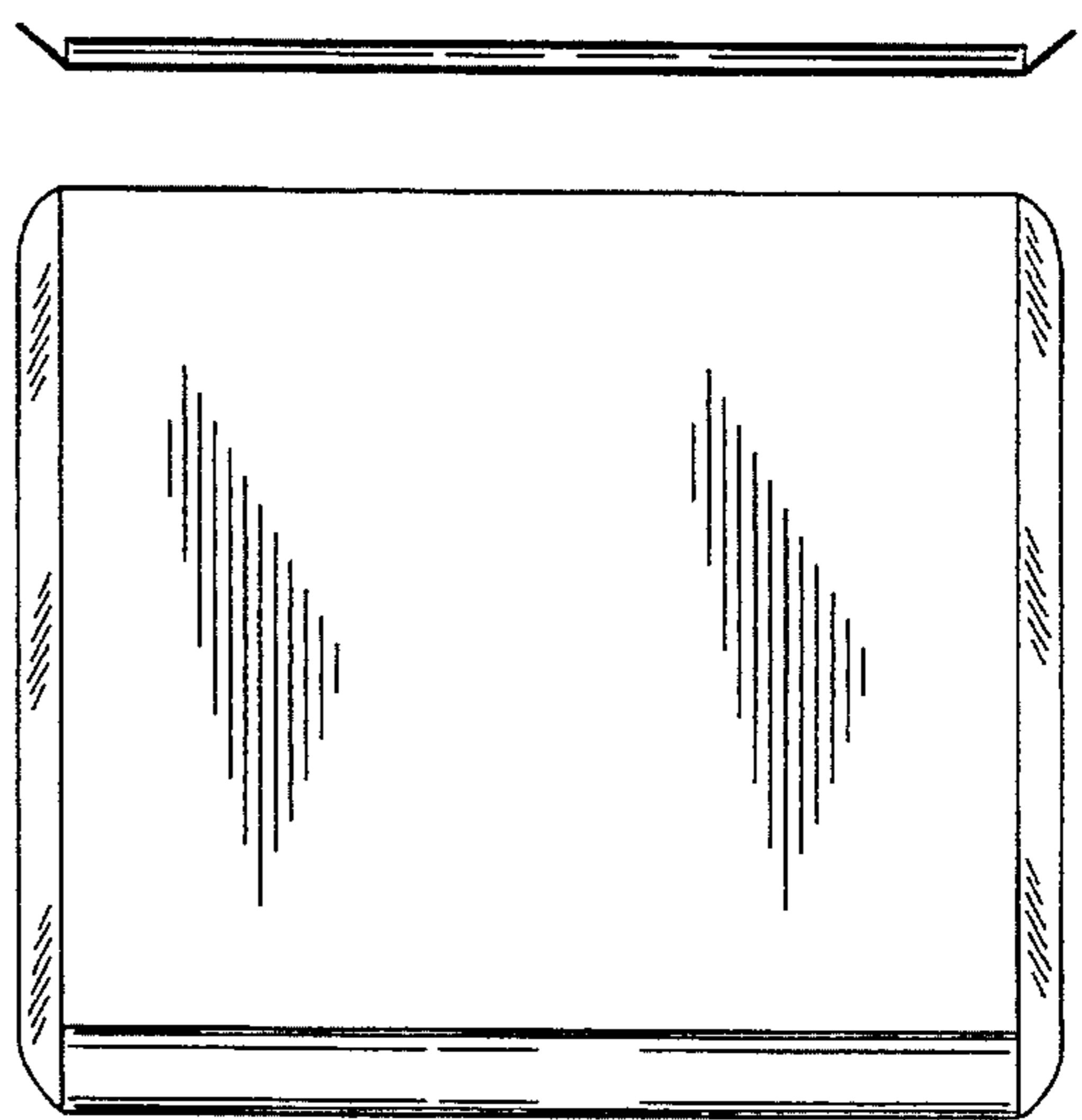


FIG. 6

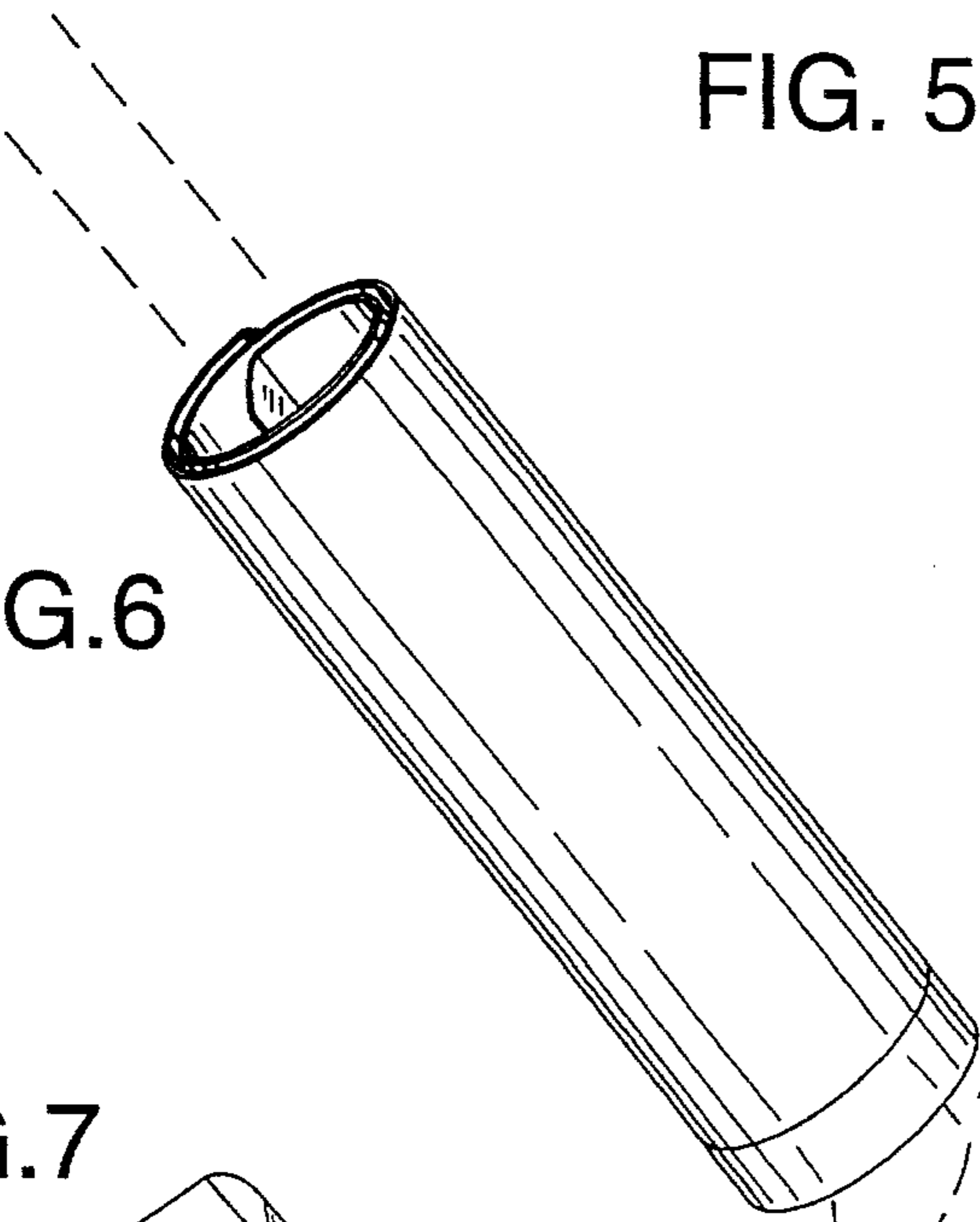


FIG. 7

