



US00D363580S

# United States Patent [19]

Wilson et al.

[11] Patent Number: **Des. 363,580**

[45] Date of Patent: **\*\*Oct. 24, 1995**

[54] **IRON**

D. 302,061 7/1989 Barrault ..... D32/70  
5,209,407 5/1993 Farrington ..... 38/77.5 X

[75] Inventors: **Ian G. Wilson**, Cheltenham; **Richard L. Hoare**, Neutral Bay, both of Australia

### FOREIGN PATENT DOCUMENTS

1090700 5/1986 Japan ..... 38/77.1  
1241000 10/1986 Japan ..... 38/77.8

[73] Assignee: **Sunbeam Corporation Limited**, Campsie, Australia

*Primary Examiner*—A. Hugo Word  
*Assistant Examiner*—Lavone D. Tabor  
*Attorney, Agent, or Firm*—Ladas & Parry

[\*\*] Term: **14 Years**

[21] Appl. No.: **3,313**

### [57] CLAIM

[22] Filed: **Jan. 6, 1993**

The ornamental design for an iron, as shown.

### [30] Foreign Application Priority Data

### DESCRIPTION

Jul. 10, 1992 [AU] Australia ..... 1844/92

[52] U.S. Cl. .... **D32/70**

[58] Field of Search ..... D32/68-72; 38/74, 38/77.1-77.8, 77.81-77.83, 77.9, 85, 88, 90-93; 219/245, 248, 254

FIG. 1 is a top and left side perspective view of an iron showing our new design;

FIG. 2 is a top plan view thereof;

FIG. 3 is a front elevational view thereof;

FIG. 4 is a rear elevational view thereof;

FIG. 5 is a bottom plan view thereof; and,

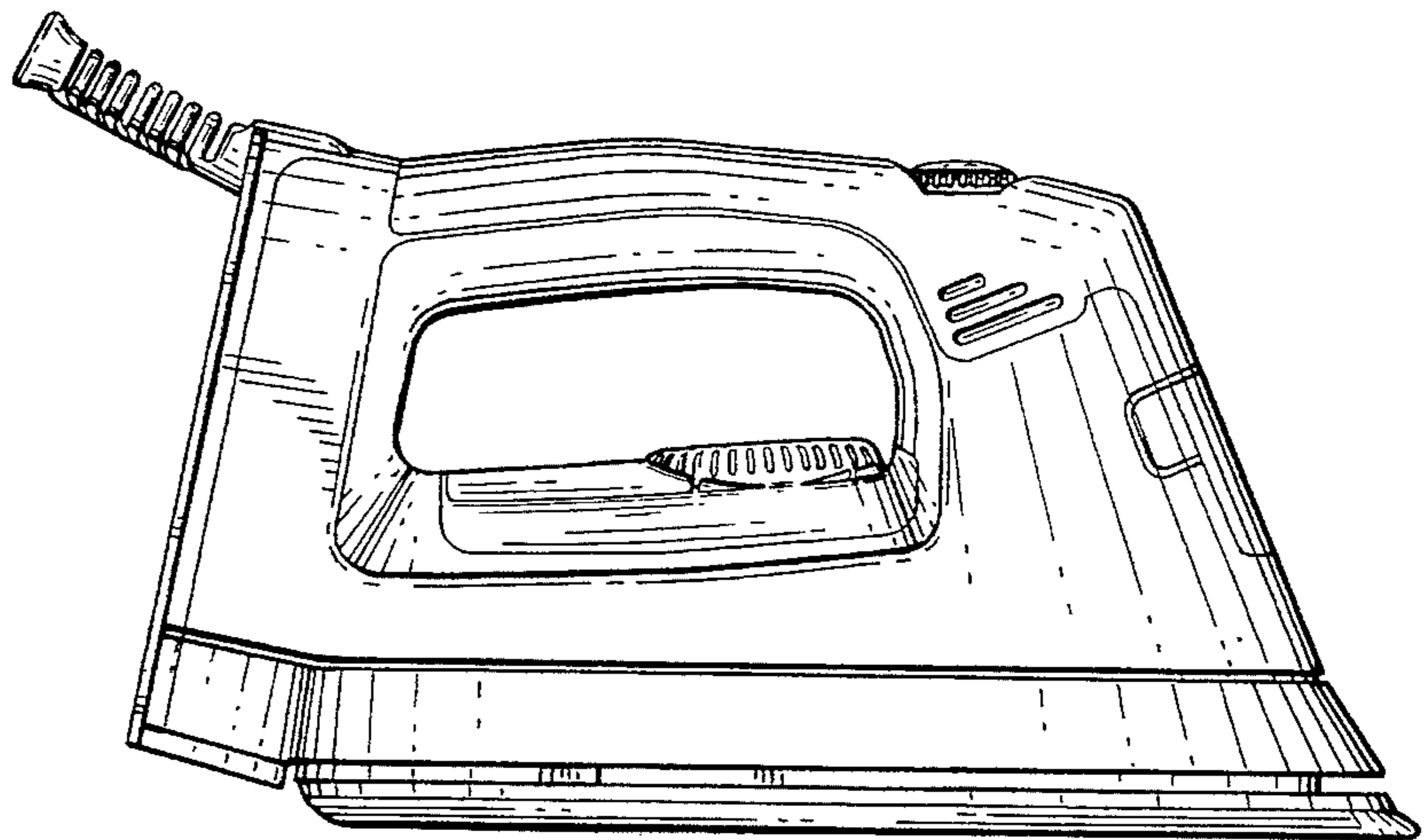
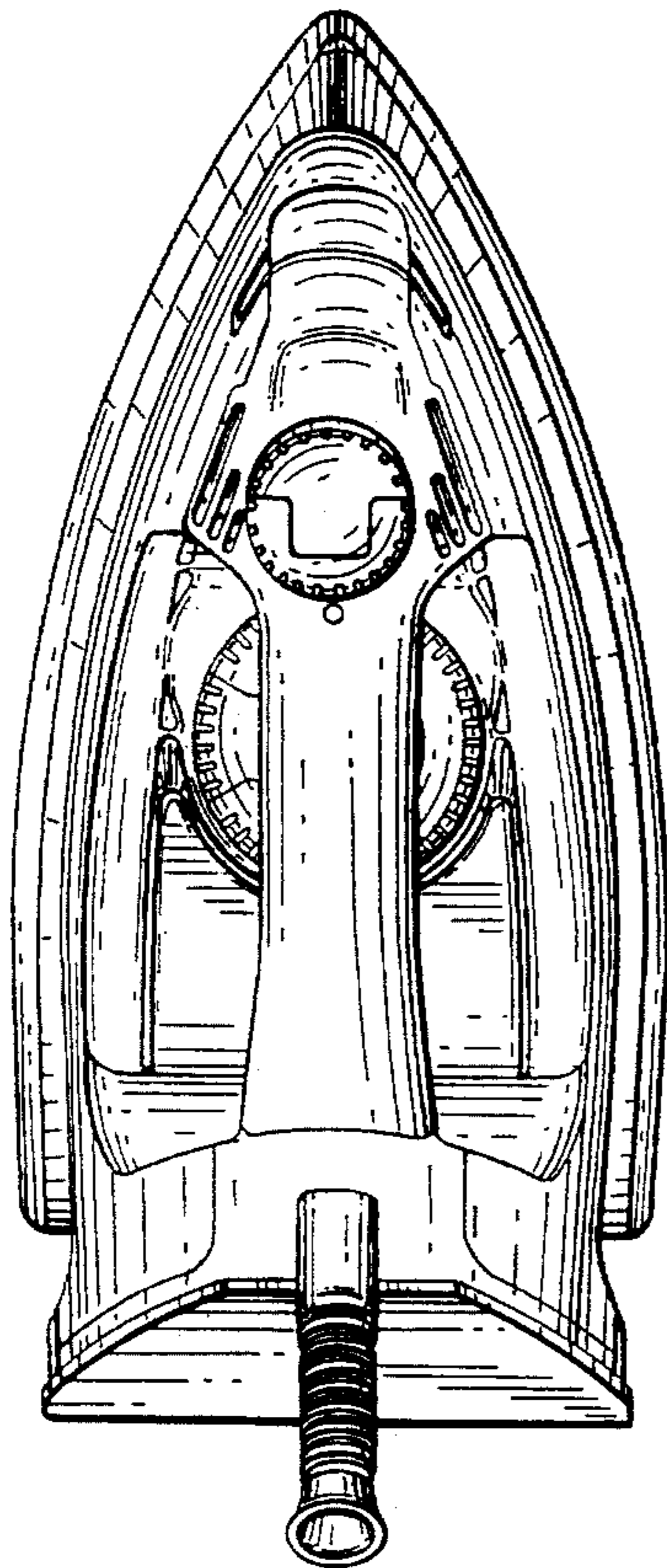
FIG. 6 is a right side elevational view thereof.

### [56] References Cited

#### U.S. PATENT DOCUMENTS

D. 291,615 8/1987 Ogawa et al. .... D32/70

**1 Claim, 5 Drawing Sheets**



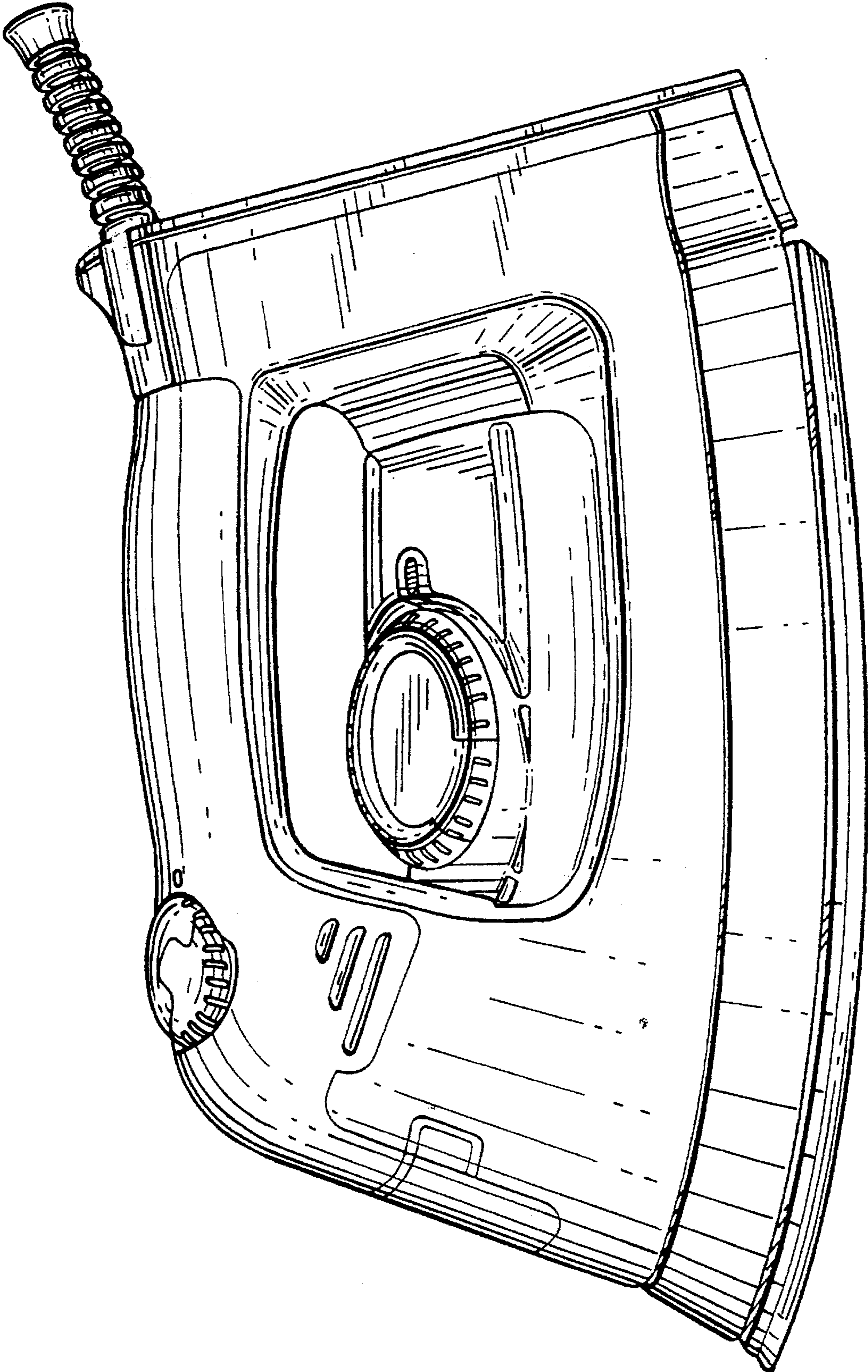


FIG. 1

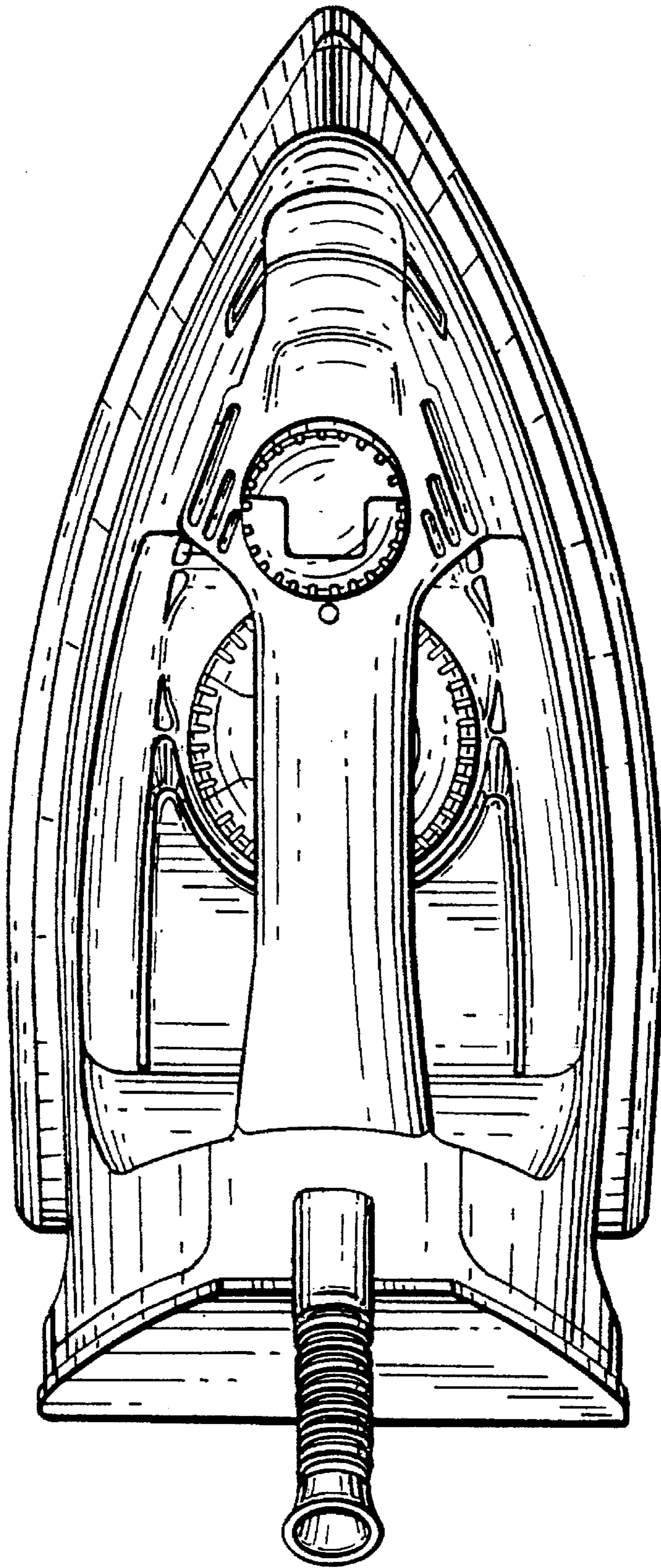


FIG. 2

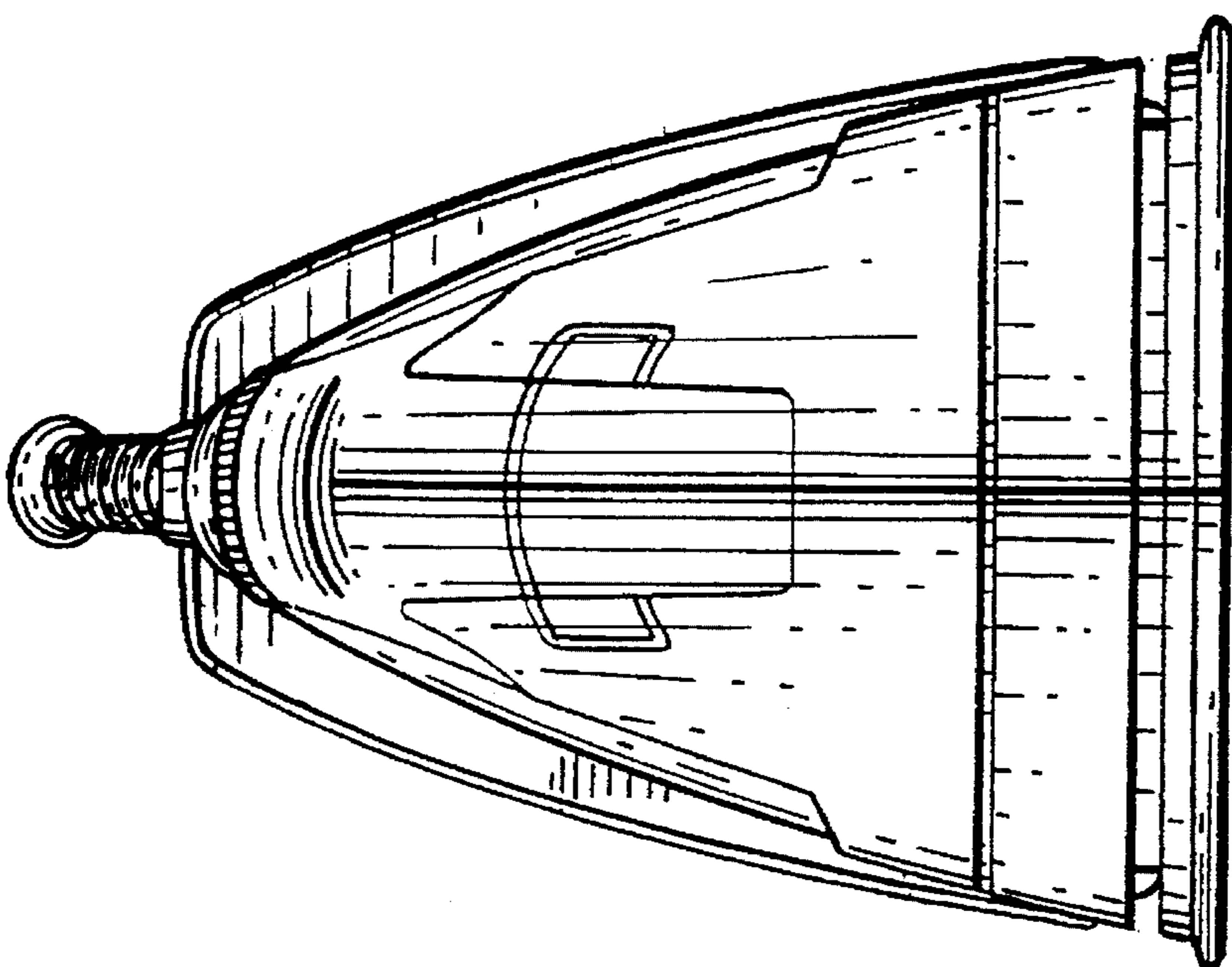


FIG. 3

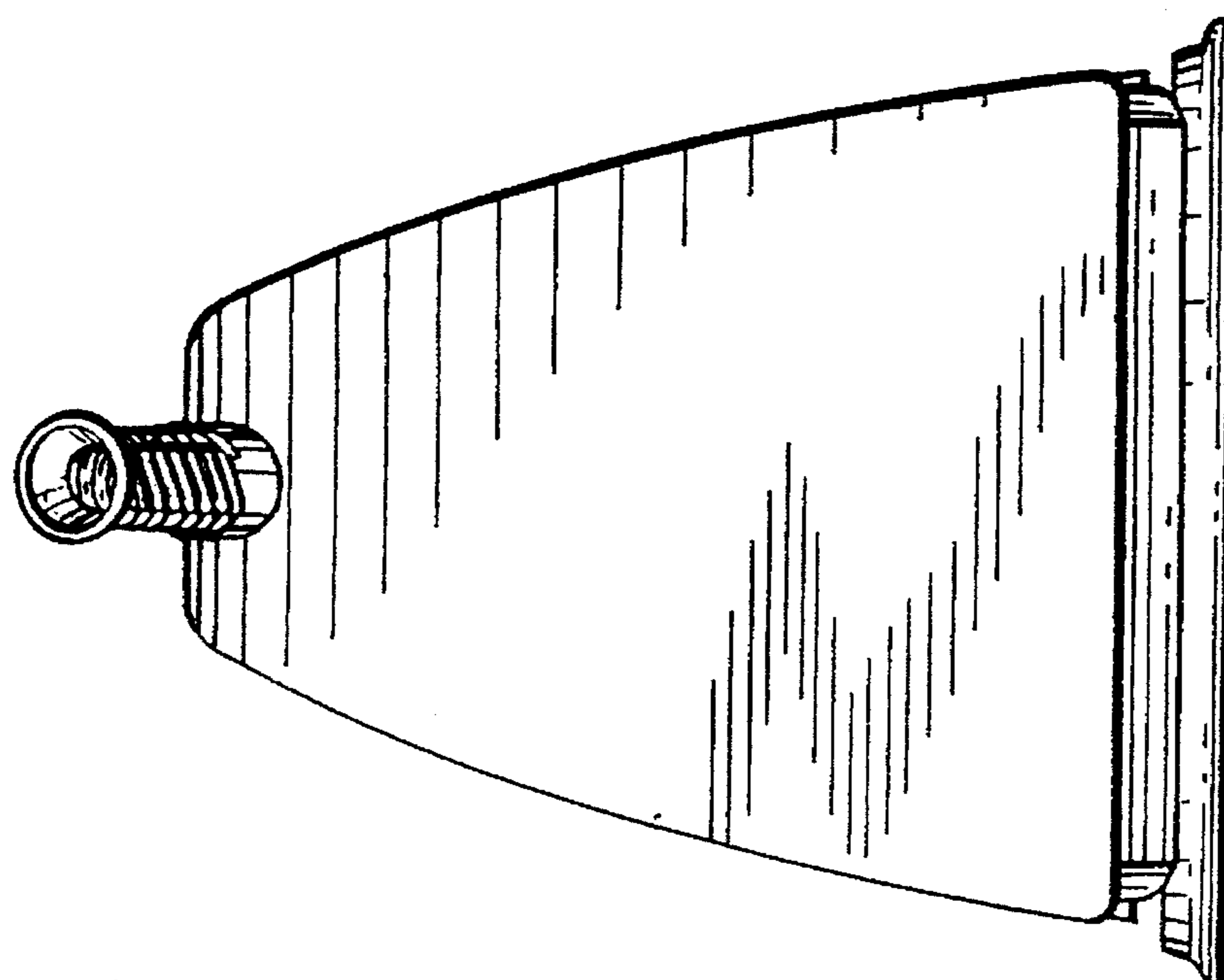


FIG. 4

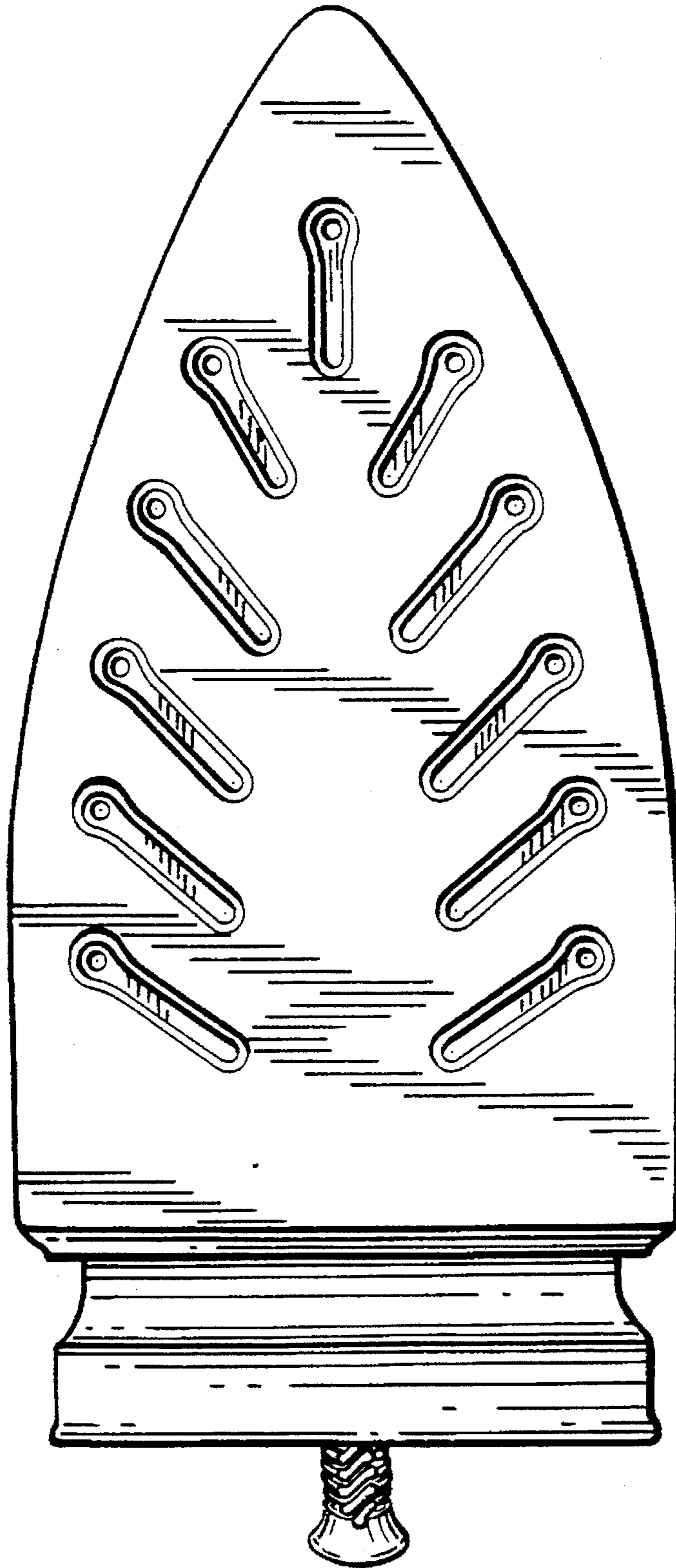


FIG. 5

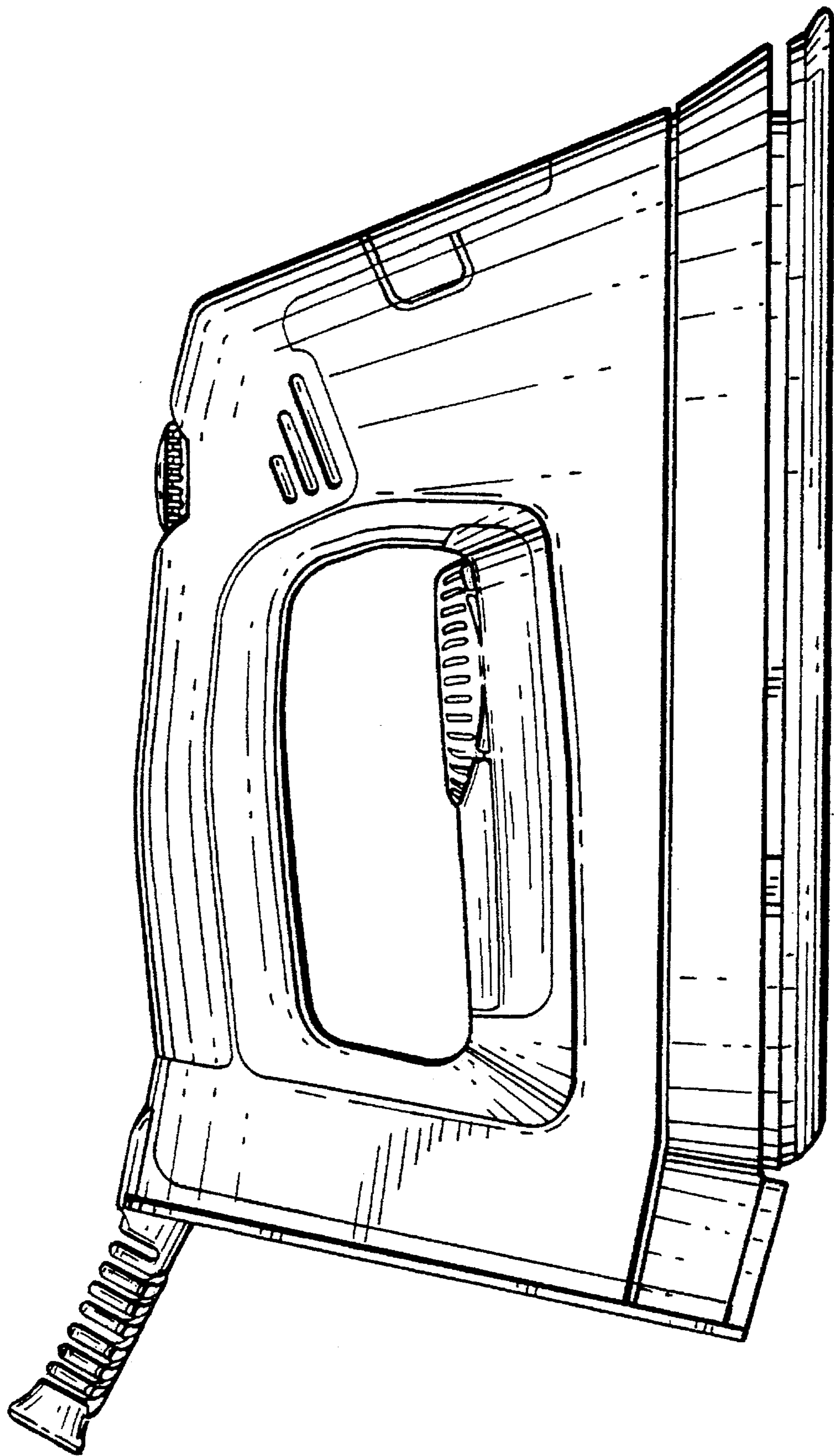


FIG. 6