



US00D363578S

United States Patent [19]

Brightbill et al.

[11] Patent Number: **Des. 363,578**

[45] Date of Patent: ****Oct. 24, 1995**

[54] **DISH DRAINER**

[75] Inventors: **Keith E. Brightbill**, Wooster; **Stephen P. Casteel**, Wadsworth; **Charles W. Craft**, Apple Creek; **John W. Koenig**, Cincinnati, all of Ohio

[73] Assignee: **Rubbermaid Incorporated**, Wooster, Ohio

[**] Term: **14 Years**

[21] Appl. No.: **32,172**

[22] Filed: **Dec. 13, 1994**

[52] U.S. Cl. **D32/55**

[58] **Field of Search** D32/3, 55-57;
 D3/304, 306, 260; D6/462; 4/637-638,
 656; 211/13, 41; 248/128, 346; 220/571-572,
 487-488

[56] **References Cited**

U.S. PATENT DOCUMENTS

D. 194,056 11/1962 Chapman D32/55
 424,863 4/1890 Demorest 211/41

542,734 7/1895 Johnson D32/55
 986,265 3/1911 Boss .
 1,252,220 1/1918 Benson .
 3,027,041 3/1962 Stansbury et al. 220/21
 5,385,261 1/1995 Lippisch et al. 220/572

Primary Examiner—A. Hugo Word
Assistant Examiner—Robin V. Taylor
Attorney, Agent, or Firm—Richard B. O’Planick; Lisa B. Riedesel

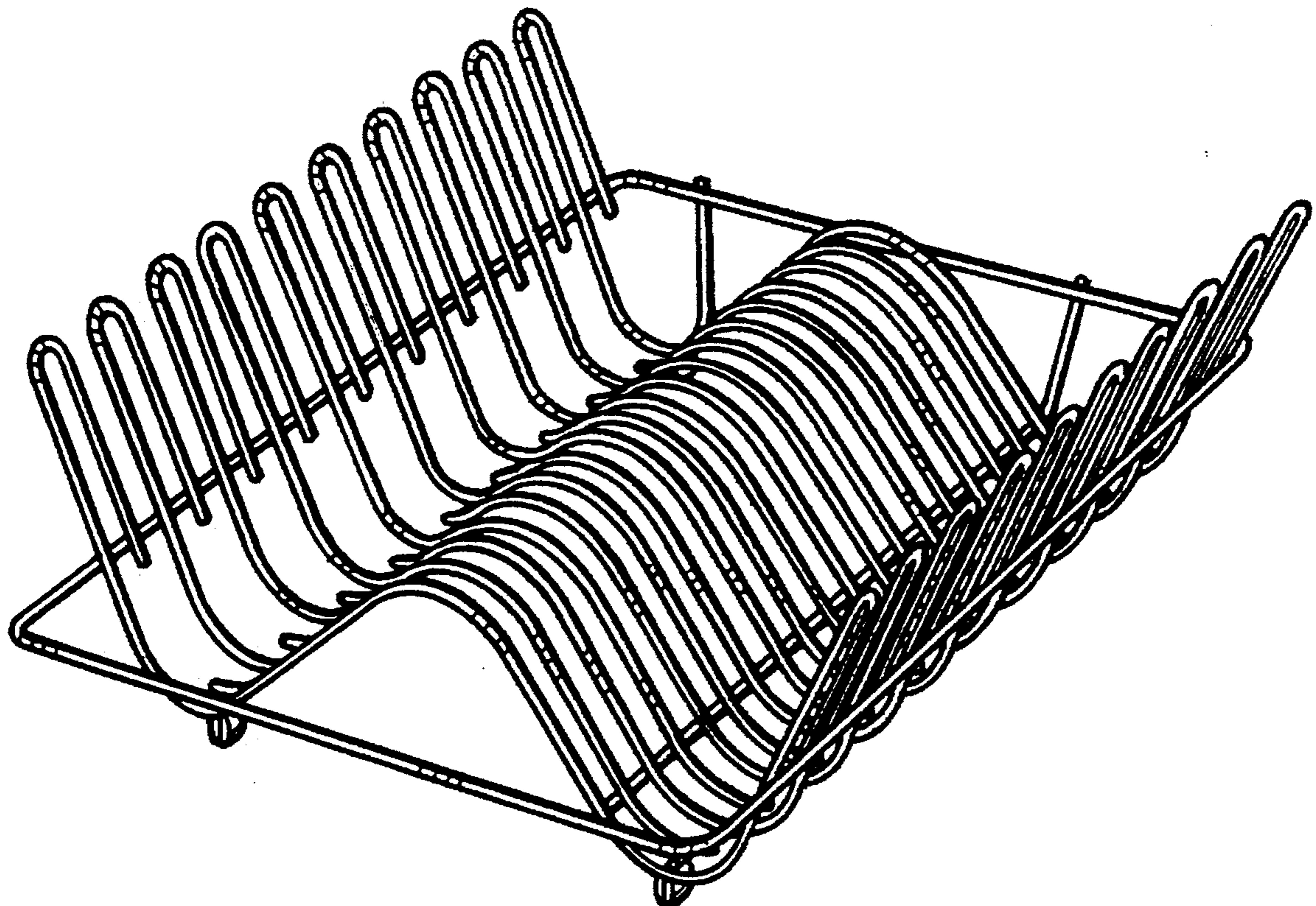
[57] **CLAIM**

The ornamental design for a dish drainer, as shown and described.

DESCRIPTION

FIG. 1 is a top right front perspective view of a dish drainer showing our new design;
 FIG. 2 is a top plan view thereof;
 FIG. 3 is a front elevational view thereof;
 FIG. 4 is a right side elevational view thereof; the left side elevational view being a mirror image;
 FIG. 5 is a bottom plan view thereof; and,
 FIG. 6 is a rear elevational view thereof.

1 Claim, 3 Drawing Sheets



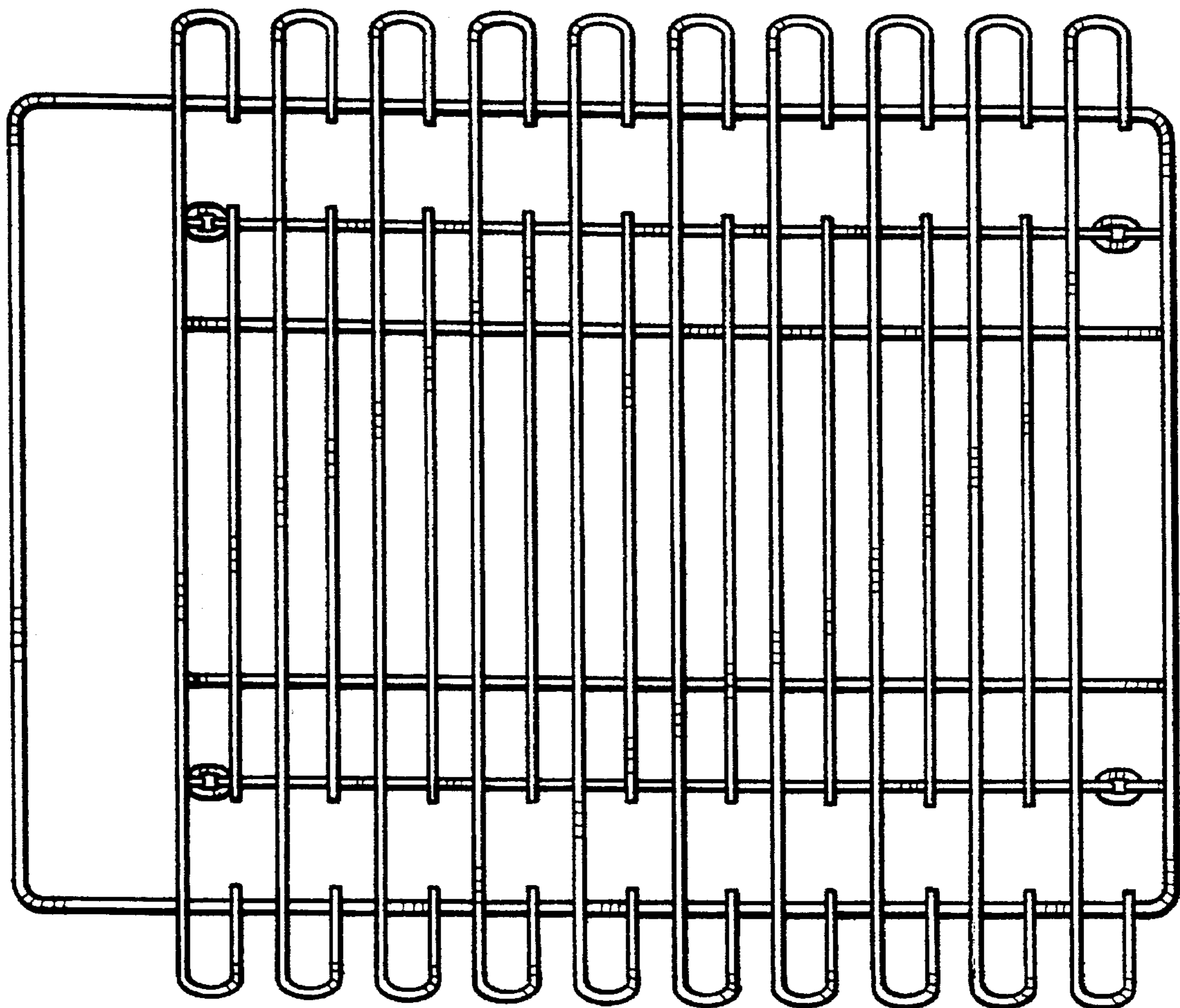
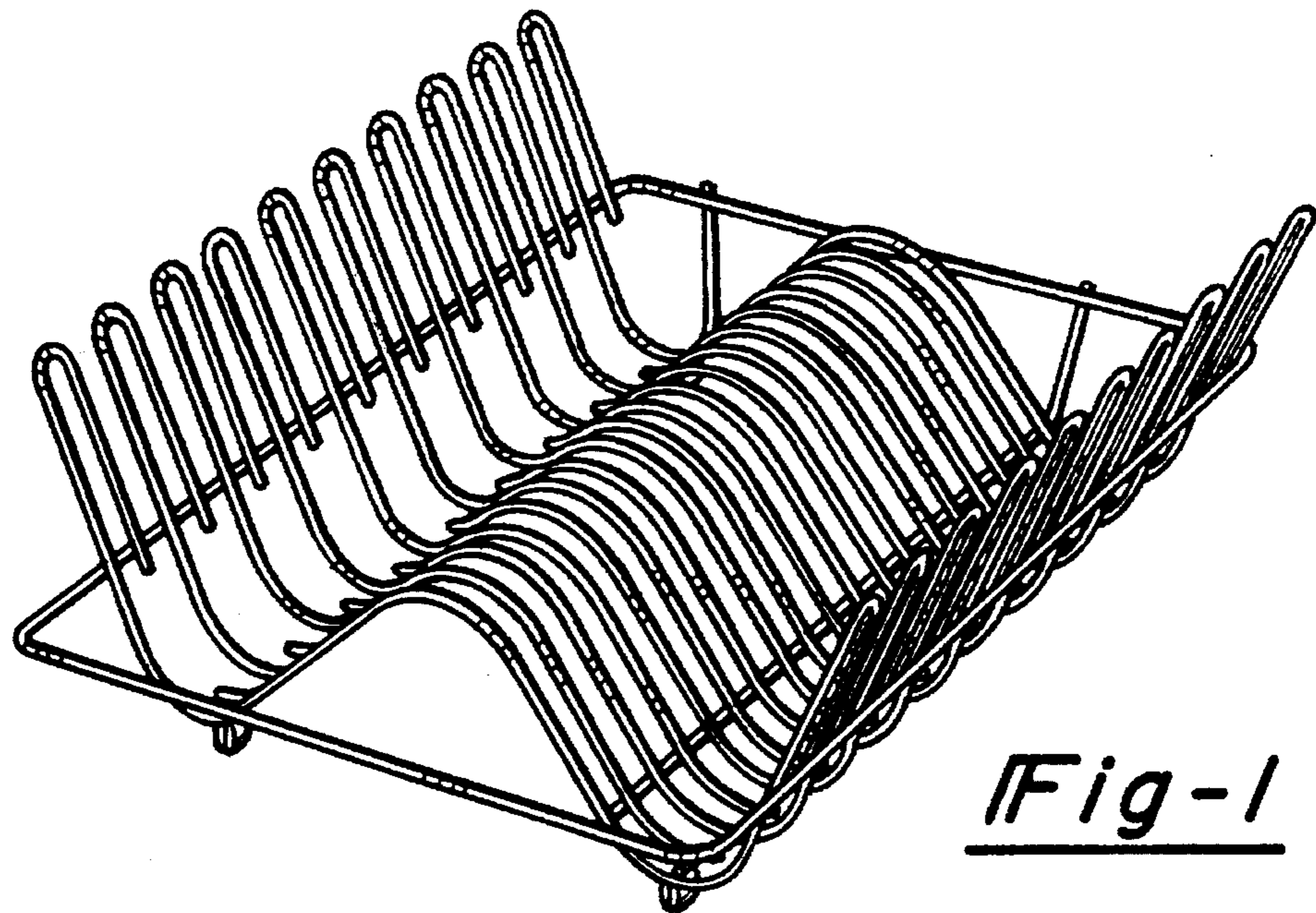


Fig-2

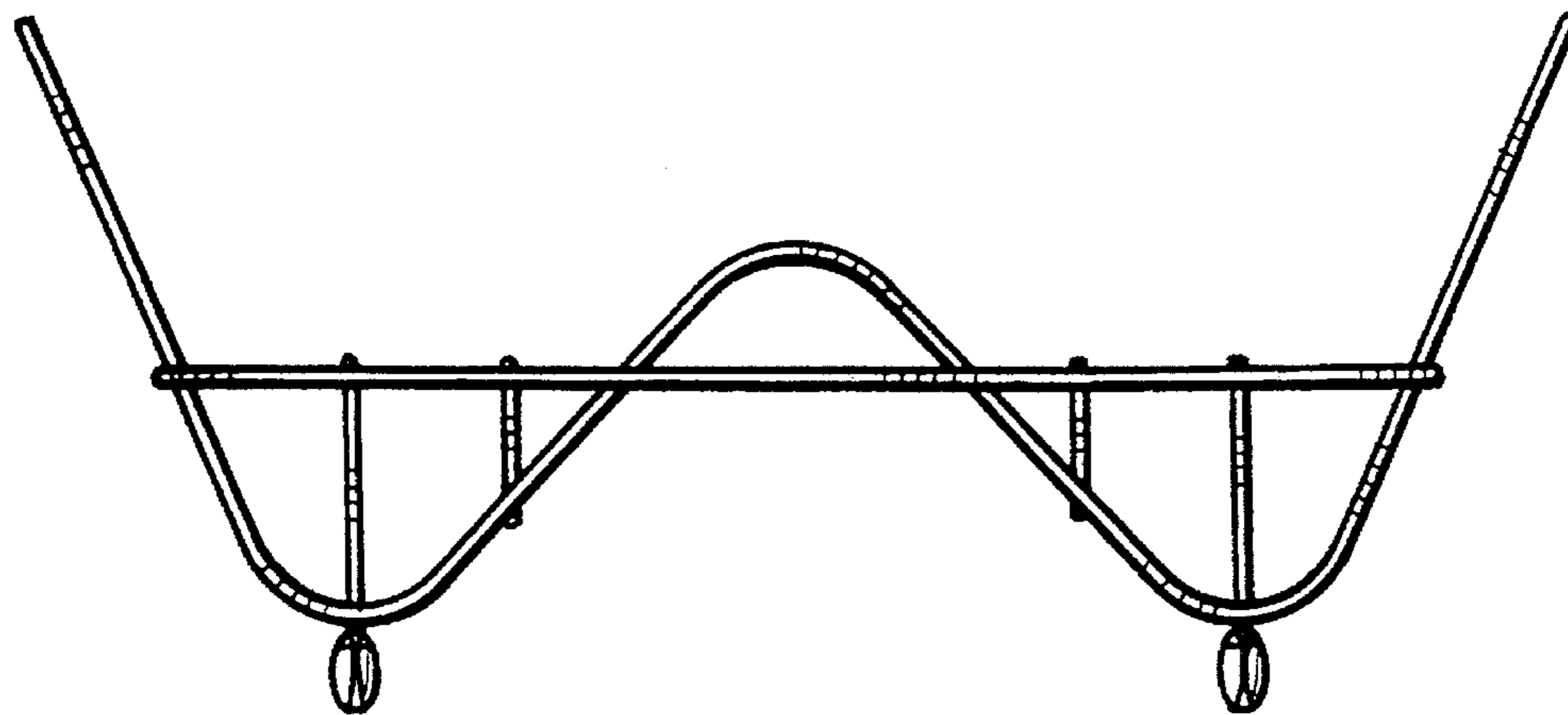


Fig-3

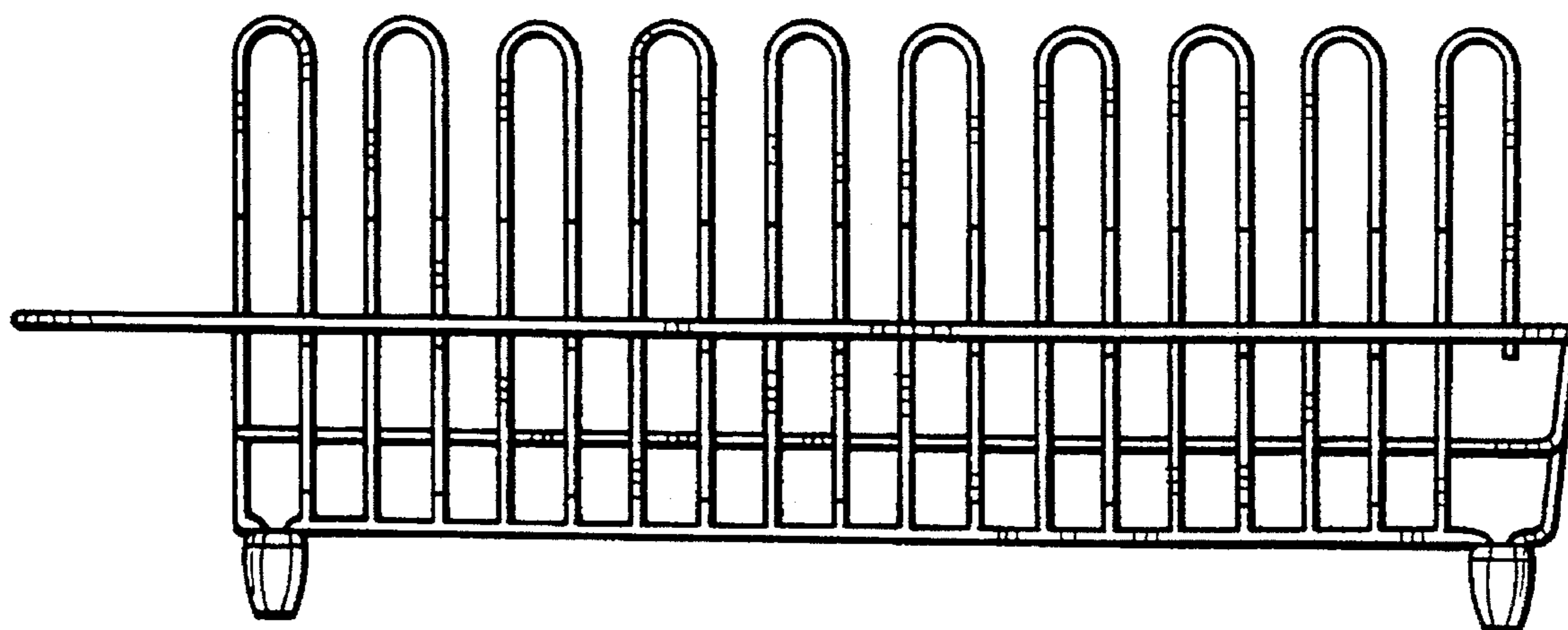


Fig-4

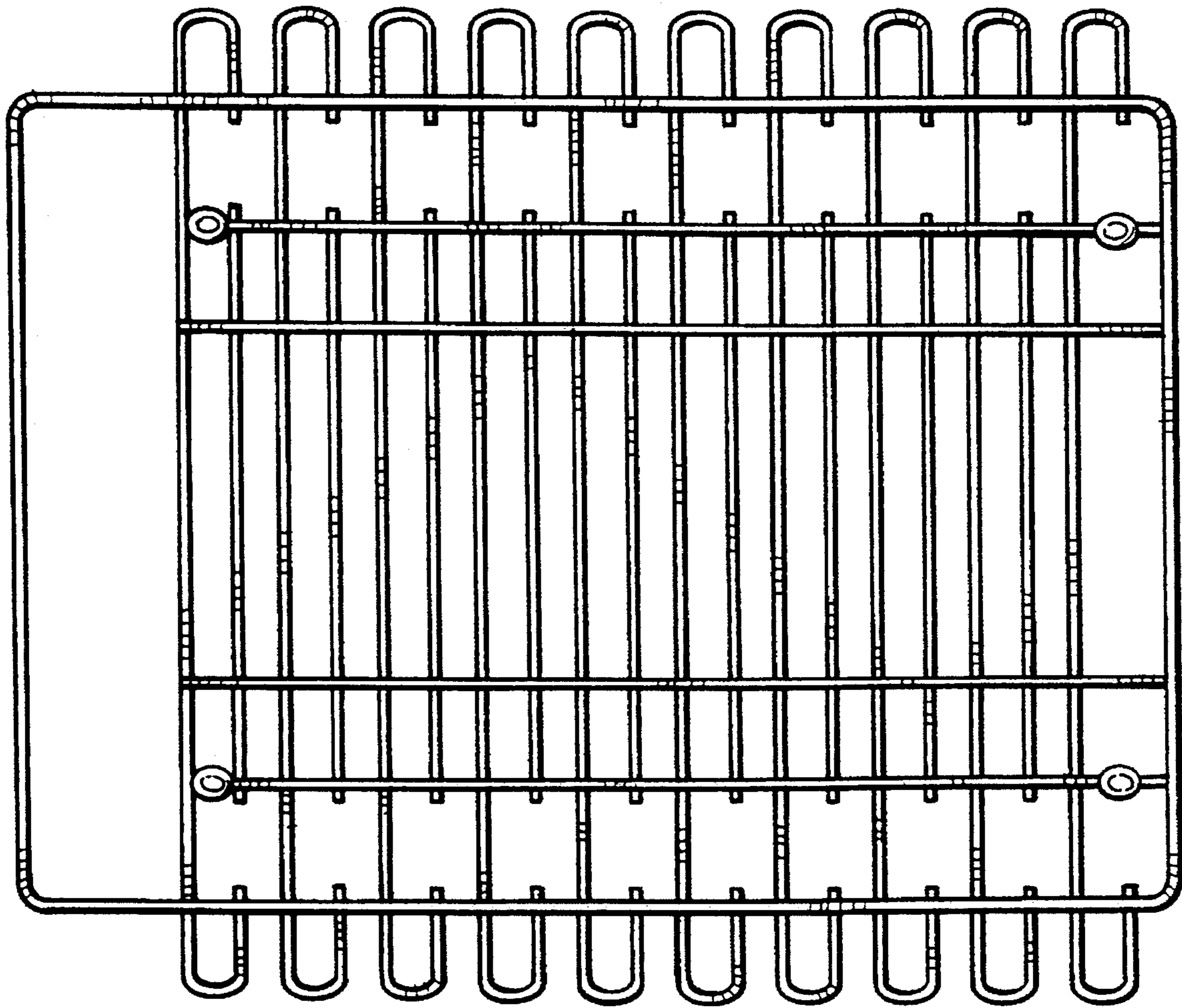


Fig-5

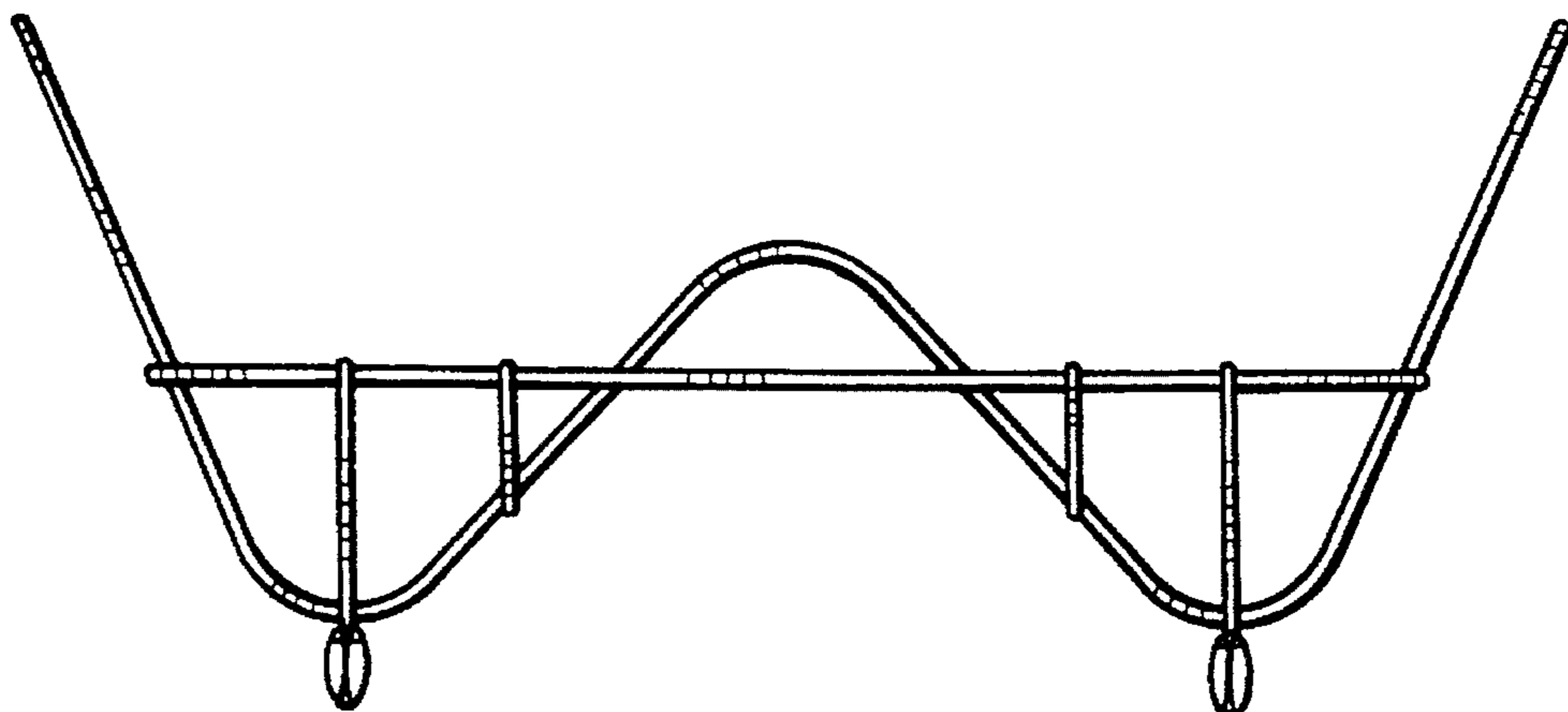


Fig-6