



US00D363577S

United States Patent [19]

[11] Patent Number: **Des. 363,577**

Brightbill et al.

[45] Date of Patent: ****Oct. 24, 1995**

[54] SINK PROTECTOR RACK

[75] Inventors: **Keith E. Brightbill**, Wooster; **Stephen P. Casteel**, Wadsworth; **Charles W. Craft**, Apple Creek; **Gregg M. Davis**, Powell; **John W. Koenig**, Cincinnati, all of Ohio

[73] Assignee: **Rubbermaid Incorporated**, Wooster, Ohio

[**] Term: **14 Years**

[21] Appl. No.: **32,070**

[22] Filed: **Dec. 13, 1994**

[52] U.S. Cl. **D32/55; D32/57**

[58] Field of Search **D32/55-57, 3; D3/304, 306, 260; D6/462, 583, 586; 4/637-638, 656; 211/13, 41; 248/128, 346; 220/571-572, 487-488**

[56] References Cited

U.S. PATENT DOCUMENTS

D. 123,472	11/1940	Caldwell .	
D. 129,281	9/1941	Caldwell .	
D. 158,550	5/1950	Breneman	D9/6
D. 158,712	5/1950	Breneman	D9/6
D. 164,219	8/1951	Caldwell	D9/6
D. 186,708	11/1959	Bliss	D32/57
D. 190,363	5/1961	Breneman	D9/6
D. 191,901	12/1961	Breneman	D9/6
D. 193,089	6/1962	Kraines et al.	D32/57
D. 326,750	6/1992	Druzek	D32/57
D. 348,131	6/1994	Bozzo et al.	D32/55

OTHER PUBLICATIONS

Catalog page, Sink mats; Williams-Sonoma, address unknown. Publication date Spring, 1994.

Catalog page, Sink mats; Dupol-Rubbermaid GmbH, An der Trift 63, D-6072 Dreieich, Germany. Publication date 1971.

P. 29, Sink mats; Dupol-Rubbermaid GmbH, An der Trift 63, D-6072 Dreieich, Germany. Publication date 1988.

P. 28, Sink mats; Dupol-Rubbermaid GmbH, An der Trift 63, D-6072 Dreieich, Germany. Publication date 1989.

P. 2, Sink mats; Rubbermaid Incorporated, 1147 Akron Road, Wooster, Ohio 44691. Publication date 1983.

Catalog page, Sink mats; Rubbermaid Incorporated, 1147 Akron Road, Wooster, Ohio 44691. Publication date 1991.

Primary Examiner—A. Hugo Word

Assistant Examiner—Robin V. Taylor

Attorney, Agent, or Firm—Richard B. O'Planick; Lisa B. Riedesel

[57] CLAIM

The ornamental design for a sink protector rack, as shown and described.

DESCRIPTION

FIG. 1 is a top right front perspective view of a sink protector rack showing our new design;

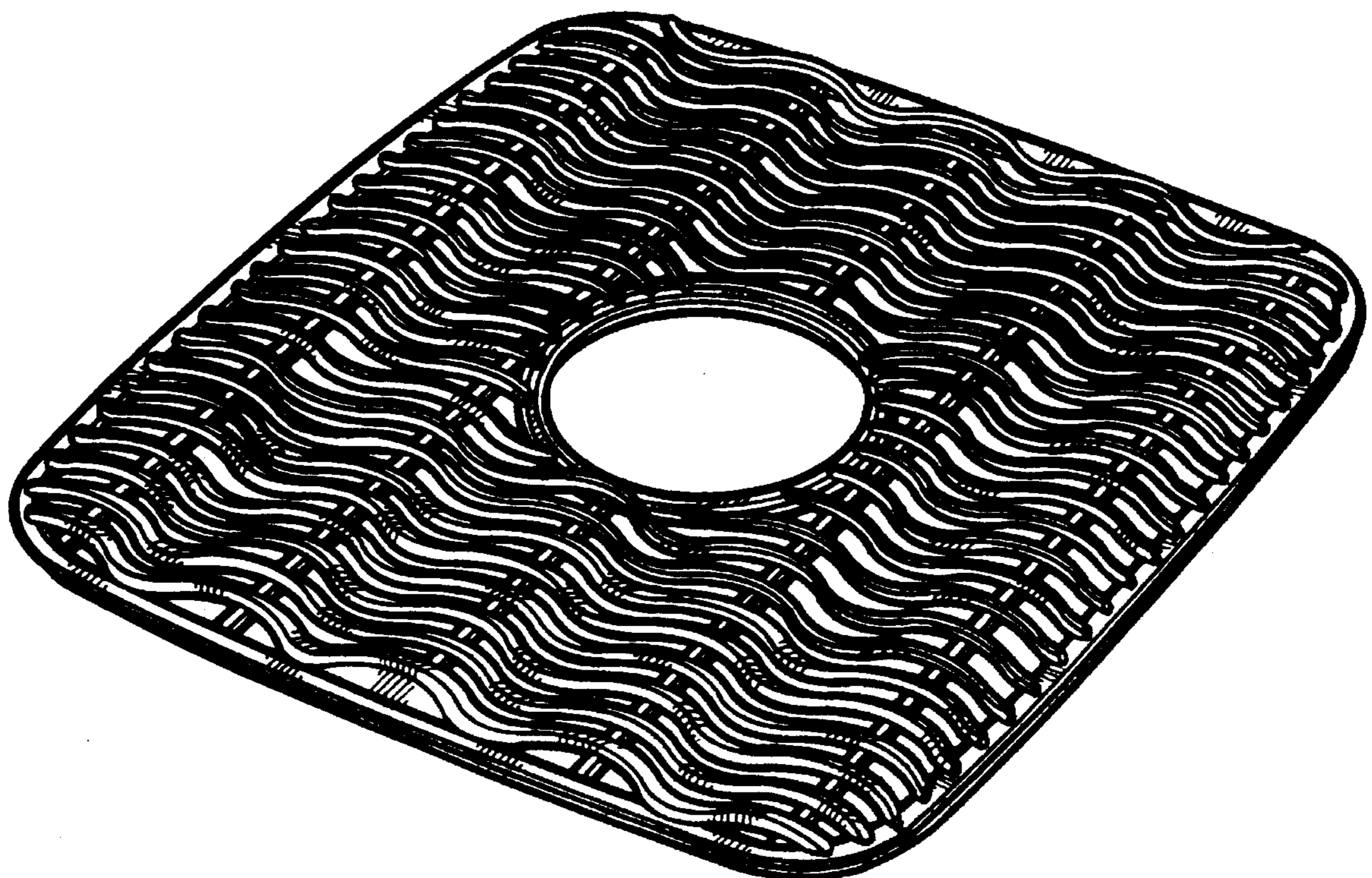
FIG. 2 is a top plan view thereof;

FIG. 3 is a front elevational view thereof; the rear elevational view being a mirror image;

FIG. 4 is a right side elevational view thereof; the left side elevational view being a mirror image; and,

FIG. 5 is a bottom plan view thereof.

1 Claim, 2 Drawing Sheets



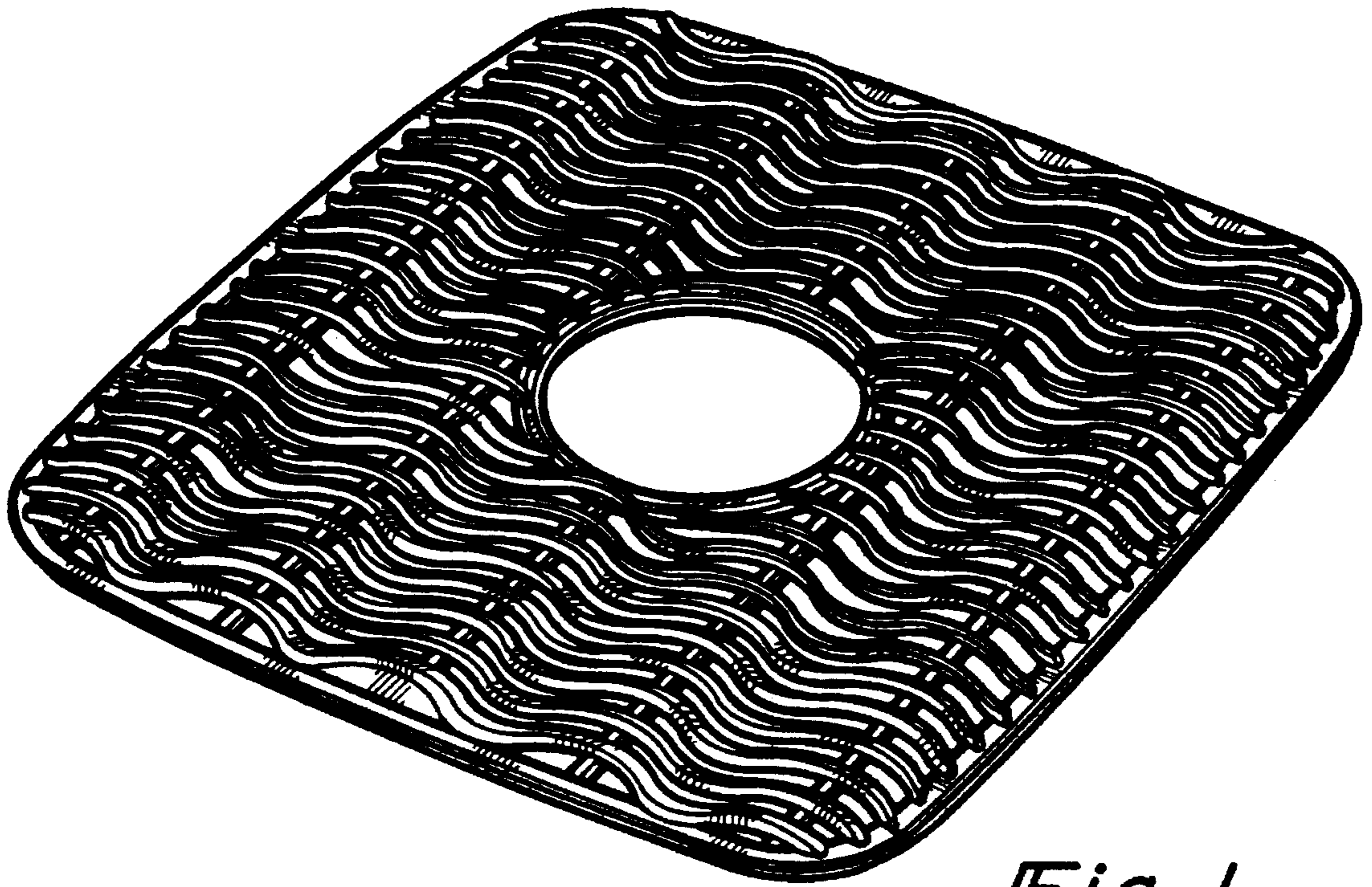


Fig-1

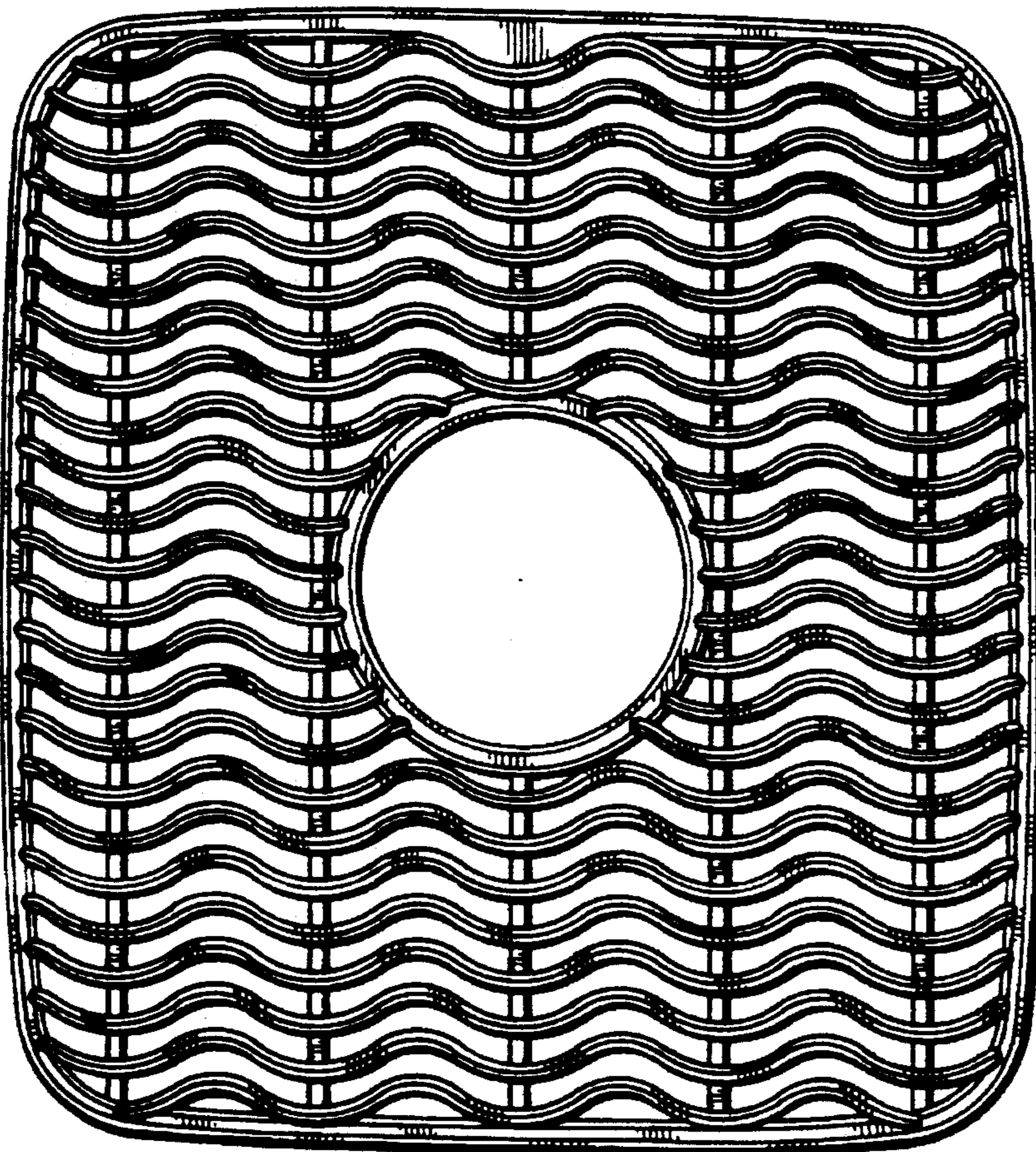


Fig-2



Fig-3



Fig-4

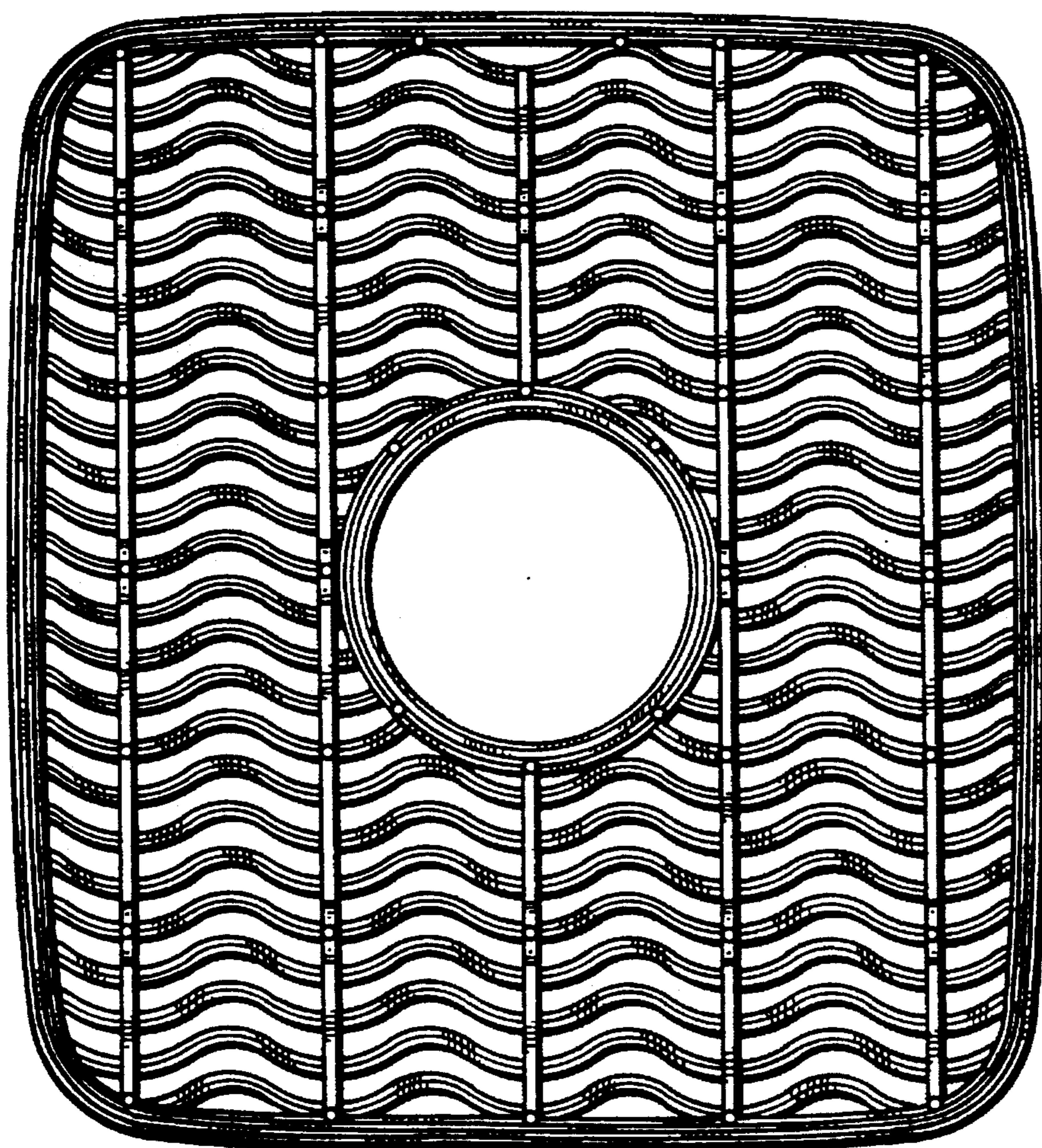


Fig-5