



US00D363576S

United States Patent [19]

Brightbill et al.

[11] Patent Number: **Des. 363,576**

[45] Date of Patent: ****Oct. 24, 1995**

[54] **UTENSIL DRAINER**

[75] Inventors: **Keith E. Brightbill**, Wooster; **Stephen P. Casteel**, Wadsworth; **Charles W. Craft**, Apple Creek; **John W. Koenig**, Cincinnati, all of Ohio

[73] Assignee: **Rubbermaid Incorporated**, Wooster, Ohio

[**] Term: **14 Years**

[21] Appl. No.: **31,992**

[22] Filed: **Dec. 13, 1994**

[52] U.S. Cl. **D32/55**

[58] Field of Search D32/3, 55-58; D3/260, 304, 306; D6/462; 4/637-638, 656; 211/13, 41; 248/128, 346; 220/571-572, 487-488

[56] References Cited

U.S. PATENT DOCUMENTS

D. 187,290	2/1960	Miller	D32/55
D. 212,301	9/1968	Taylor	D44/29
D. 214,524	6/1969	Taylor	D44/29
D. 265,262	6/1982	Taylor	D32/55
D. 271,340	11/1983	Taylor	D32/55
D. 275,918	10/1984	Taylor	D3/304
D. 287,175	12/1986	Gecchelin	D32/3
D. 345,834	4/1994	Craft et al.	D32/55
D. 353,921	12/1994	Lippisch et al.	D32/55
986,265	3/1911	Boss	.	
1,682,654	8/1928	Andrews	.	
2,372,448	2/1983	Drach	211/41
2,666,549	1/1954	Horne	220/487
2,864,509	12/1958	Watrál	211/41
3,027,041	3/1962	Stansbury et al.	.	
3,442,395	5/1969	Taylor	211/41
5,158,184	10/1992	Craft et al.	211/41
5,385,261	1/1995	Lippisch	220/572

OTHER PUBLICATIONS

Sell sheet, Utensil drainers; Ingrid, 1419 Lake Cook Road, Suite 200, Deerfield, Ill. 60015. Published at least as early as Aug. 12, 1990.

Catalog page, Utensil drainers; Tucker Housewares, 25 Tucker Drive, Leominster, Mass. 01469. Publication date 1989.

Pp. 16 and 17, Utensil drainers; Tucker Housewares, 25 Tucker Drive, Leominster, Mass. 01469. Published at least as early as Dec., 1991.

Catalog page, Utensil drainers; Nova Housewares, C/-Kader Plastics Pty. Ltd., Hume Highway, P.O. Box 42, Craigieburn, Victoria 3064 Australia. Published at least as early as 1991.

Sell sheet, Utensil drainer, Sterilite Corporation, 198 Main Street, P.O. Box 524, Main Street, Townsend, Mass. Publication date 1991.

Catalog page, Utensil drainers; Sterilite Corporation, 198 Main Street, P.O. Box 524, Main Street, Townsend, Mass. Publication date 1991.

P. 28, Utensil drainers; Dupol-Rubbermaid GmbH; An der Trift, D-6072 Dreieich, Germany. Publication date 1989.

P. 6, Utensil drainers; Rubbermaid Incorporated, 1147 Akron Road, Wooster, Ohio 44691. Publication date 1986.

P. 6, Utensil drainers; Rubbermaid Incorporated, 1147 Akron Road, Wooster, Ohio 44691. Publication date 1990.

Primary Examiner—A. Hugo Word

Assistant Examiner—Robin V. Taylor

Attorney, Agent, or Firm—Richard B. O'Planick; Lisa B. Riedesel

[57] CLAIM

The ornamental design for an utensil drainer, as shown and described.

DESCRIPTION

FIG. 1 is a top right front perspective view of an utensil drainer showing our new design;

FIG. 2 is a front elevational view thereof;

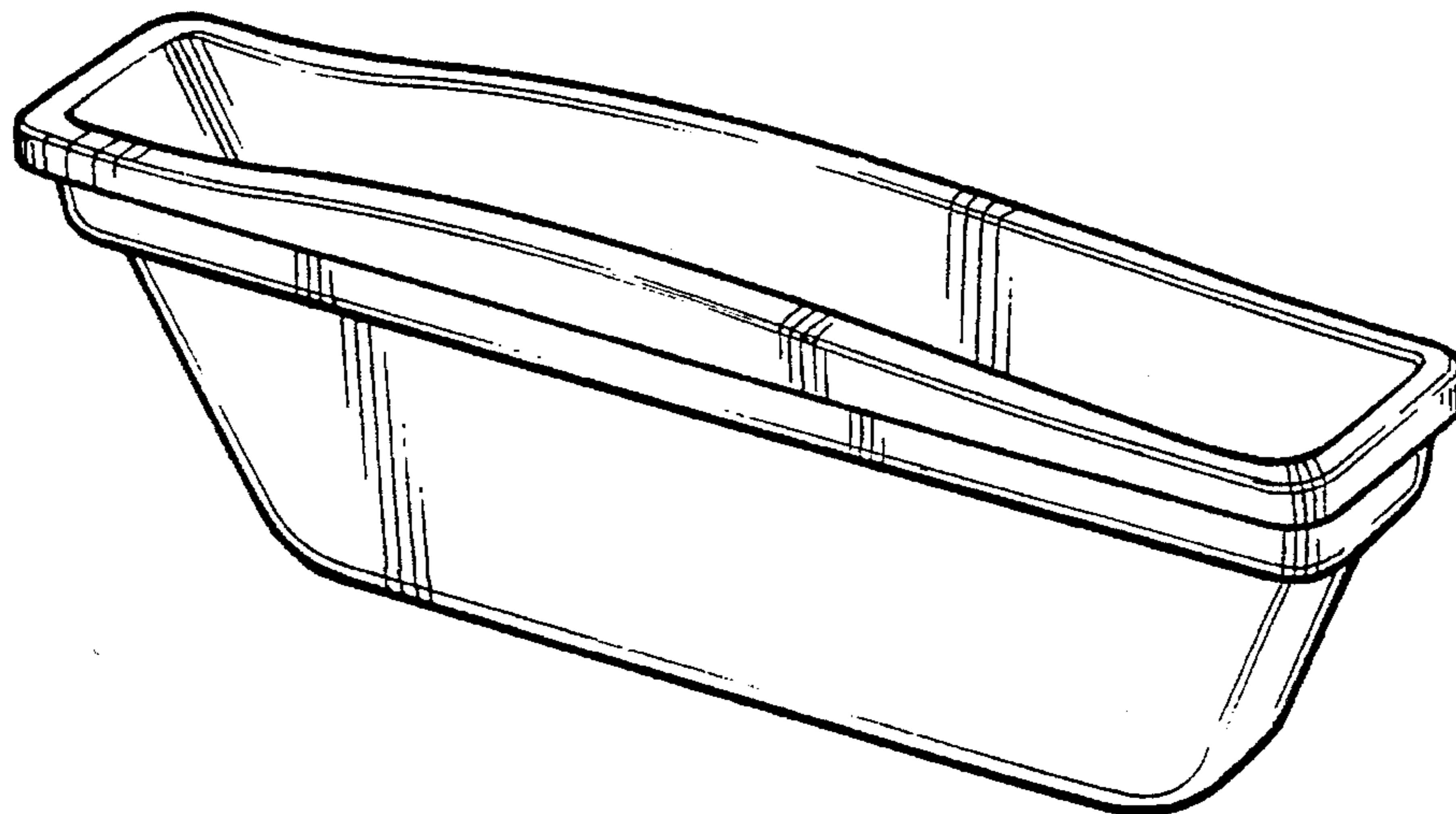
FIG. 3 is a top plan view thereof;

FIG. 4 is a right side elevational view thereof; the left side elevational view being a mirror image;

FIG. 5 is a rear elevational view thereof; and,

FIG. 6 is a bottom plan view thereof.

1 Claim, 2 Drawing Sheets



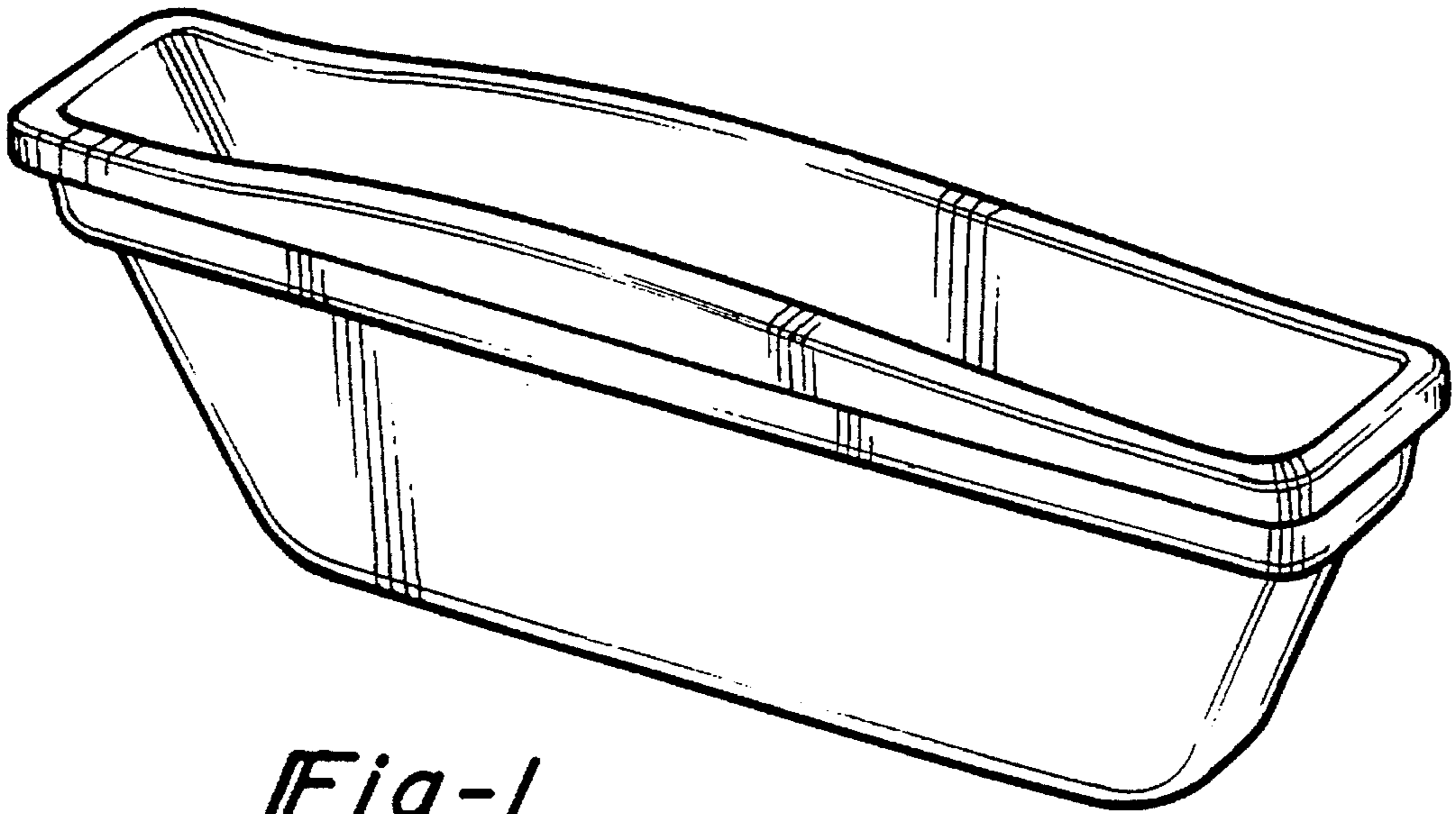


Fig-1

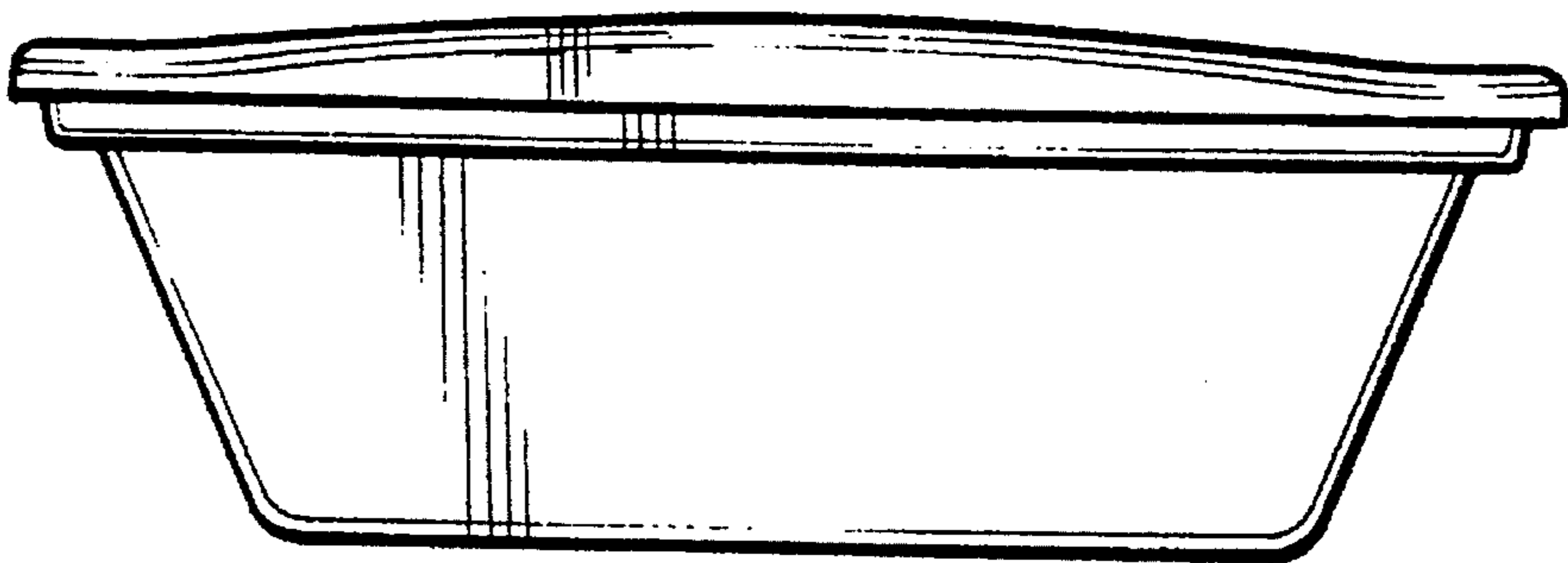


Fig-2

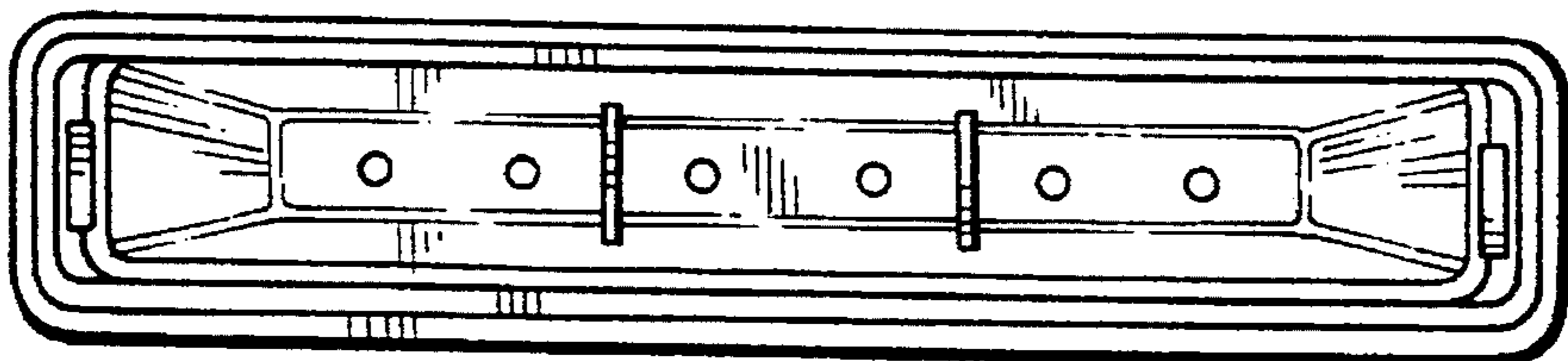


Fig-3

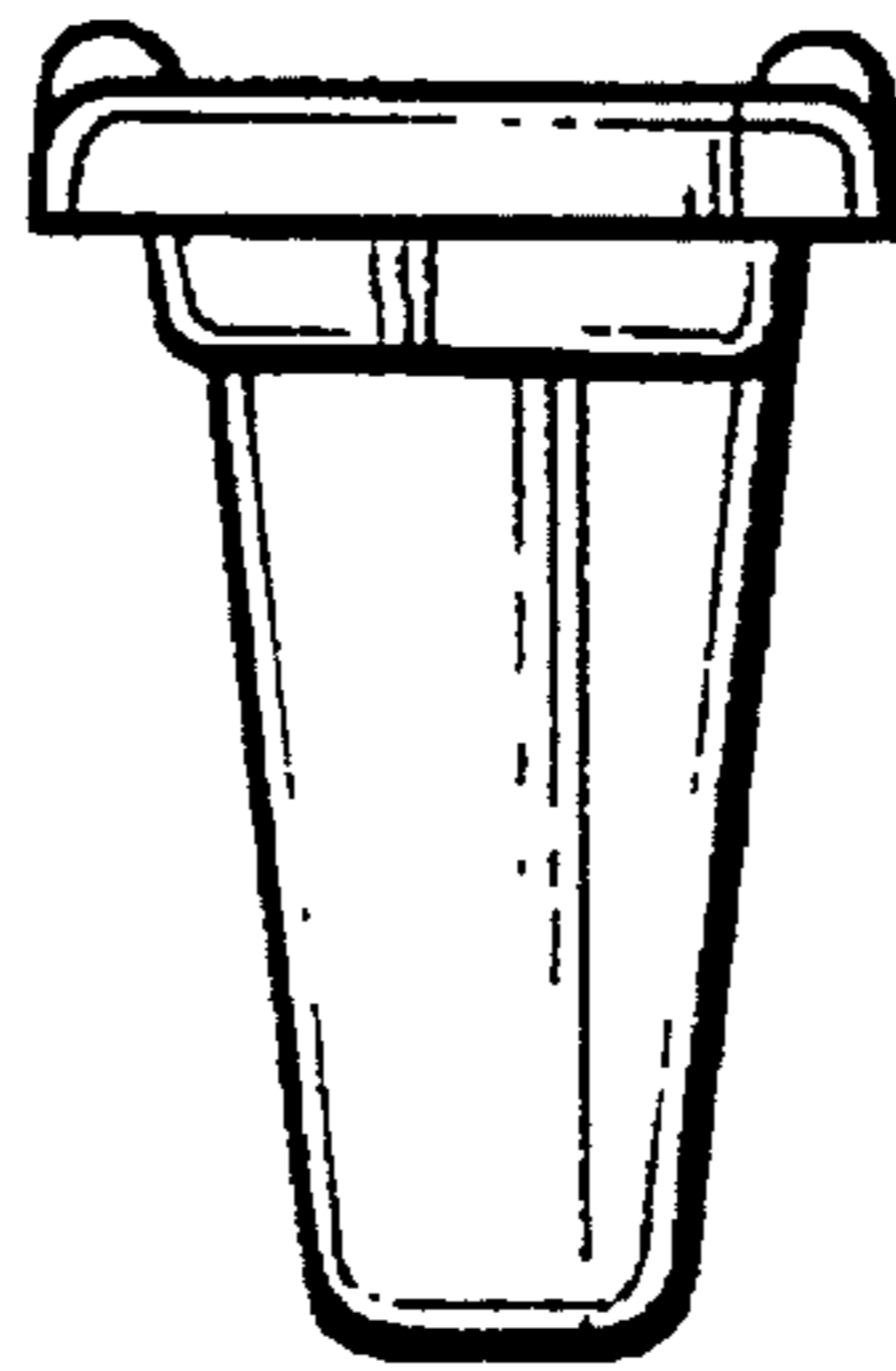


Fig-4

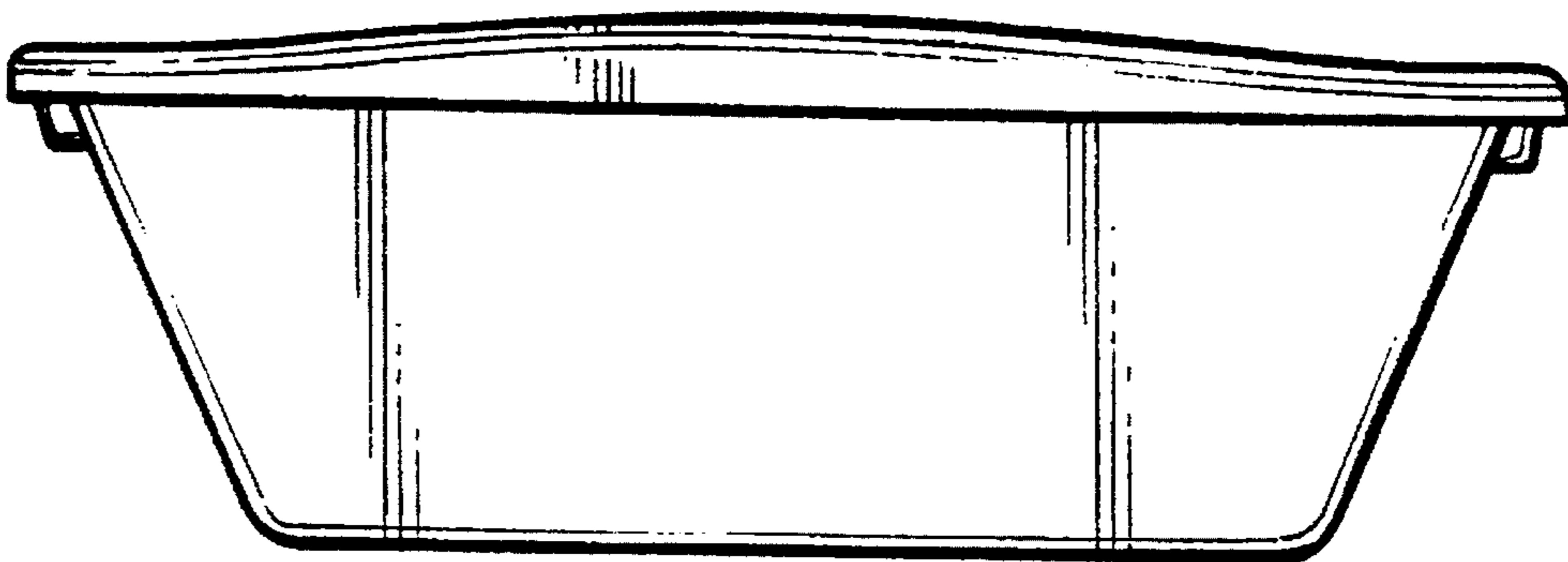


Fig-5

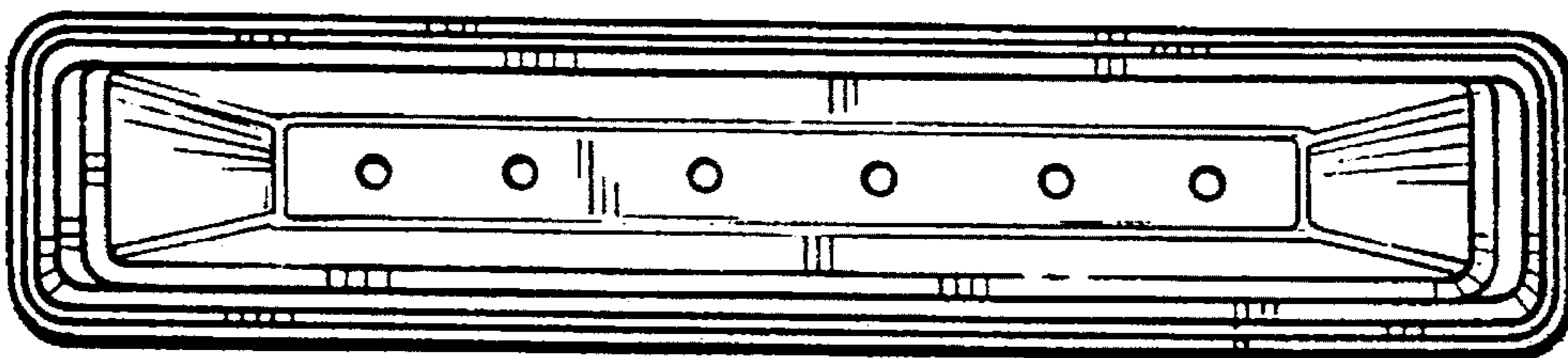


Fig-6