



US00D363568S

United States Patent [19] Ghrawi

[11] Patent Number: **Des. 363,568**

[45] Date of Patent: ****Oct. 24, 1995**

[54] **CIGARETTE CADDY**

[76] Inventor: **Mohamad Z. Ghrawi**, P.O. Box 948,
Pico Rivera, Calif. 90660

[**] Term: **14 Years**

[21] Appl. No.: **28,966**

[22] Filed: **Sep. 27, 1994**

[52] U.S. Cl. **D27/187; D9/414**

[58] Field of Search **D27/187, 189;
206/242-276, 286; 131/231, 235.1, 236,
238, 239; D9/337, 414, 423**

4,588,076	5/1986	Caputo et al.	206/86
4,645,077	2/1987	McZaughlin et al.	206/38
4,852,729	8/1989	Conte	206/86
4,989,728	2/1991	Neyret et al.	D27/187
5,368,155	11/1994	Ewen	206/86

Primary Examiner—A. Hugo Word
Assistant Examiner—Marcus Jackson
Attorney, Agent, or Firm—Richard C. Litman

[57] **CLAIM**

The ornamental design for a cigarette caddy, as shown and described.

DESCRIPTION

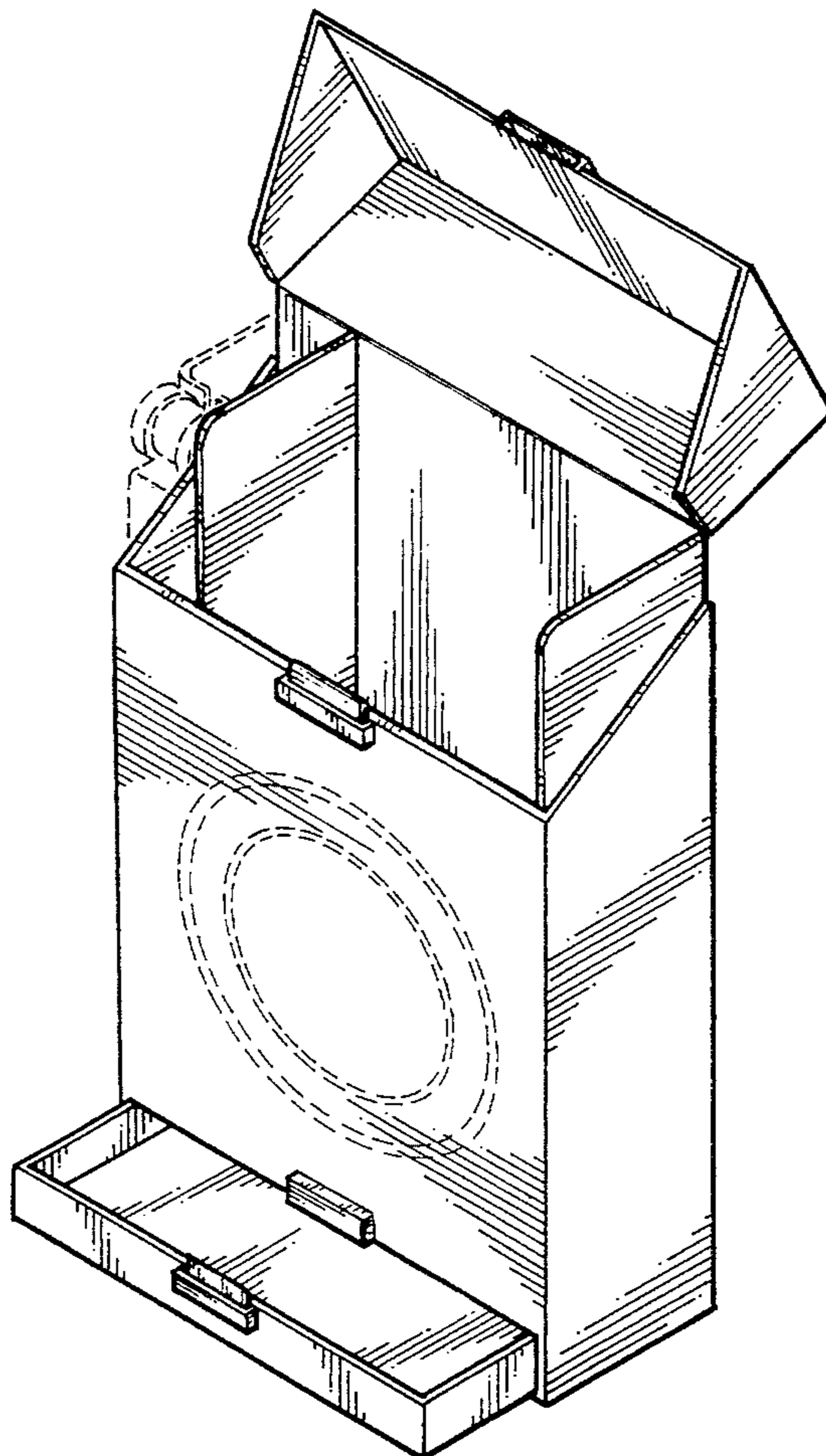
FIG. 1 is a perspective view of a cigarette caddy, with the lid closed, showing my new design;
FIG. 2 is a perspective view thereof, showing the lid open;
FIG. 3 is a bottom plan view thereof;
FIG. 4 is a front elevational view thereof;
FIG. 5 is a left side elevational view, with the right side being a mirror image thereof;
FIG. 6 is a top plan view thereof; and,
FIG. 7 is a rear elevational view thereof.
The broken line showing of indicia in FIG. 1, and of indicia and a cigarette lighter in FIG. 2 are for illustrative purposes only, and form no part of the claimed design.

[56] **References Cited**

U.S. PATENT DOCUMENTS

1,562,497	11/1925	Derry .	
1,693,096	11/1928	Samuels .	
1,840,664	1/1932	Gerstheimer .	
2,472,344	6/1949	Rosenbarger .	
2,666,522	1/1954	Herman, Jr.	206/38
2,919,018	12/1959	Allen .	
3,039,671	6/1962	Chiamardas .	
3,167,104	1/1965	Wiley et al. .	
3,915,295	10/1975	Morrison	206/86
4,000,812	1/1977	Pisarski et al. .	
4,223,687	9/1980	Sandeen	206/86
4,281,761	8/1981	Olazabal .	

1 Claim, 2 Drawing Sheets



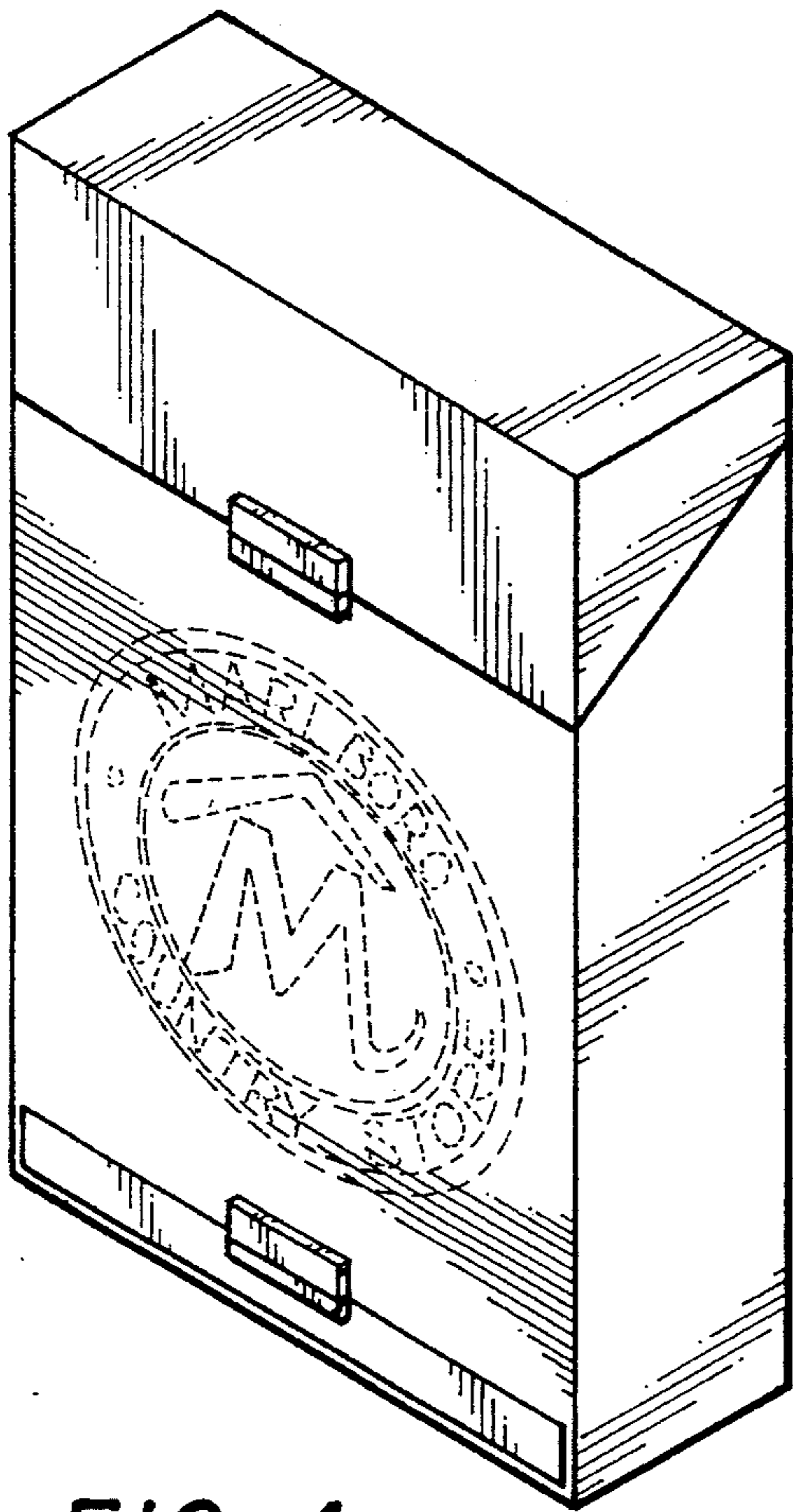


FIG. 1

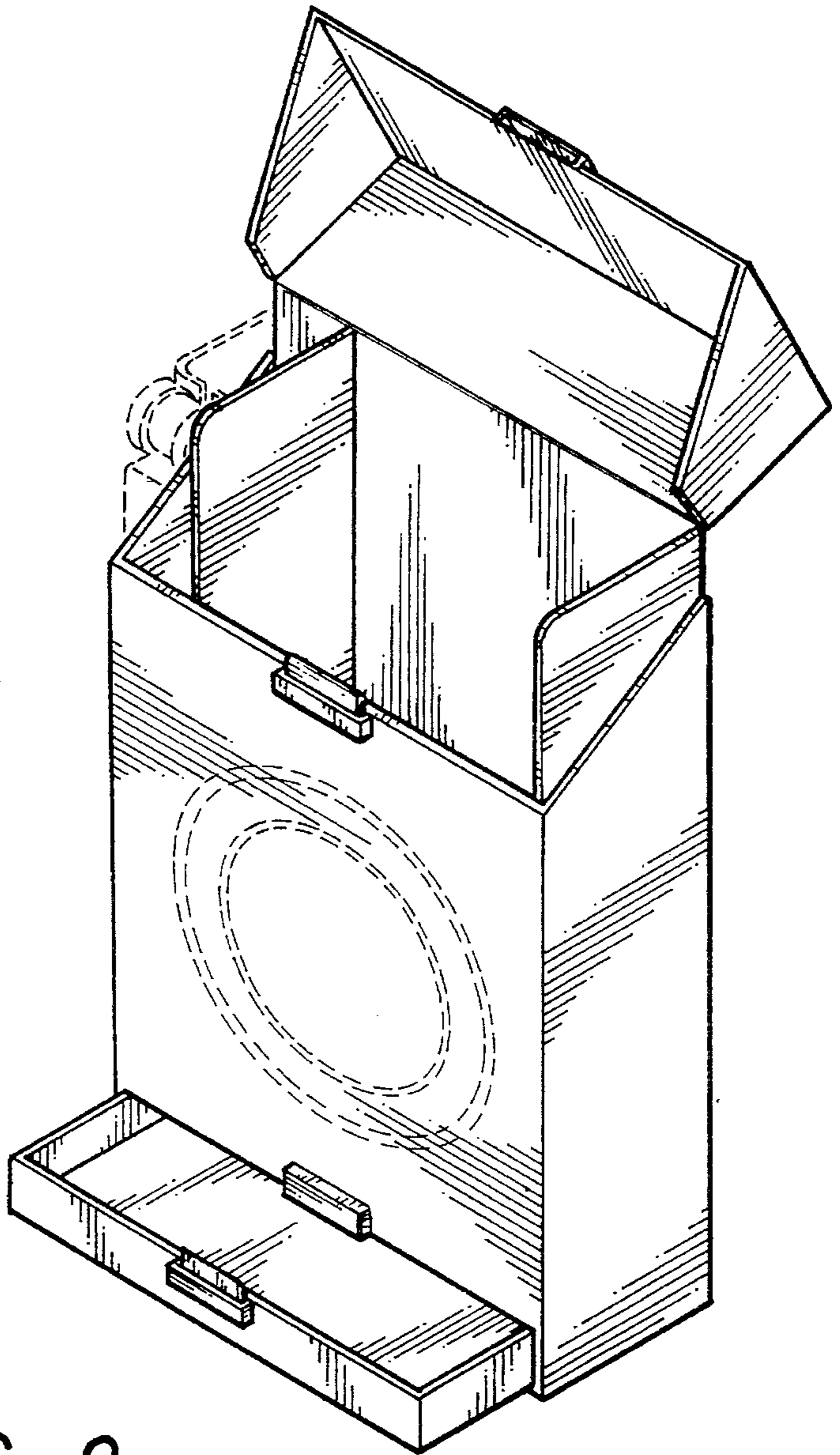


FIG. 2

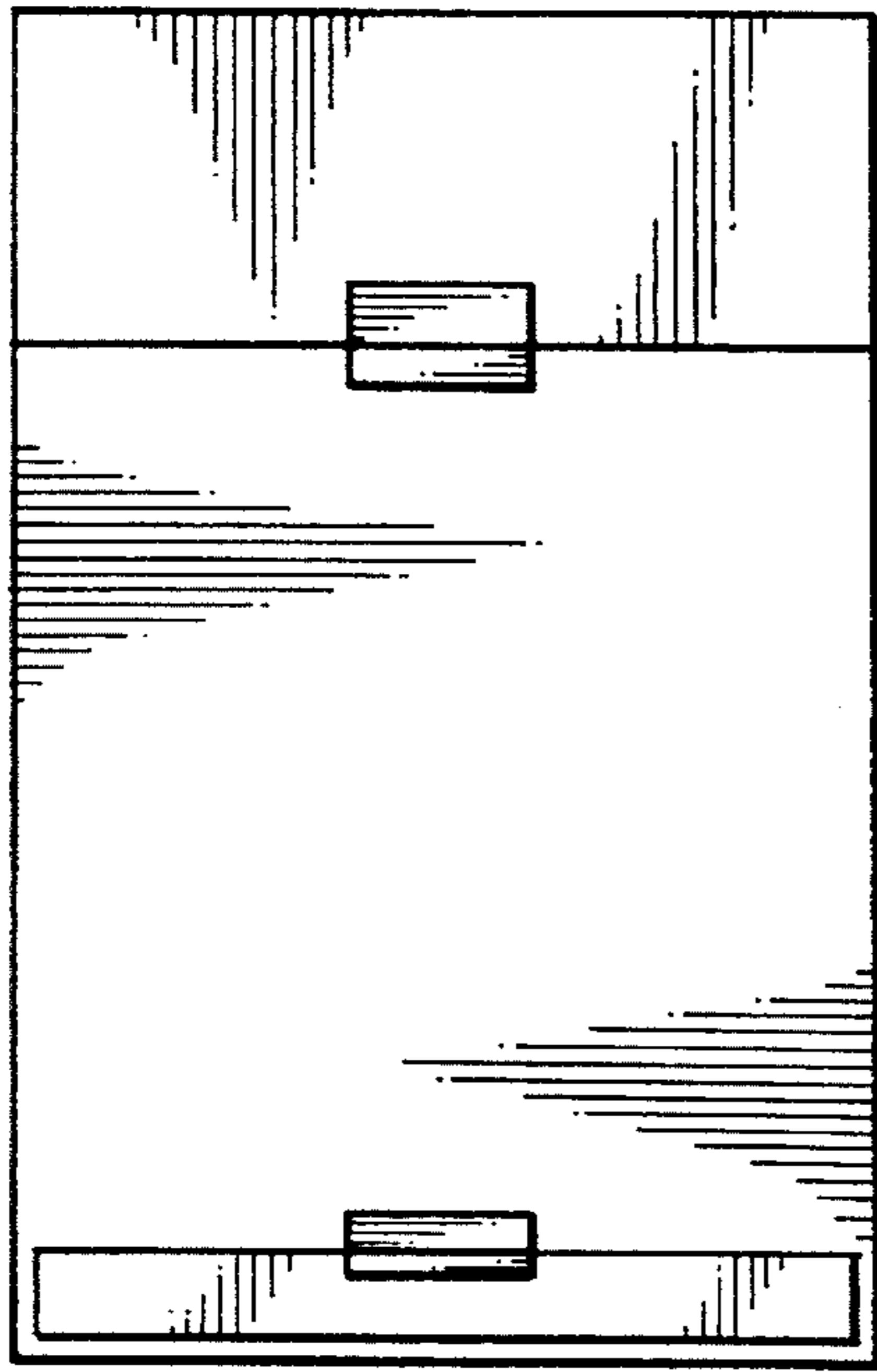


FIG. 4

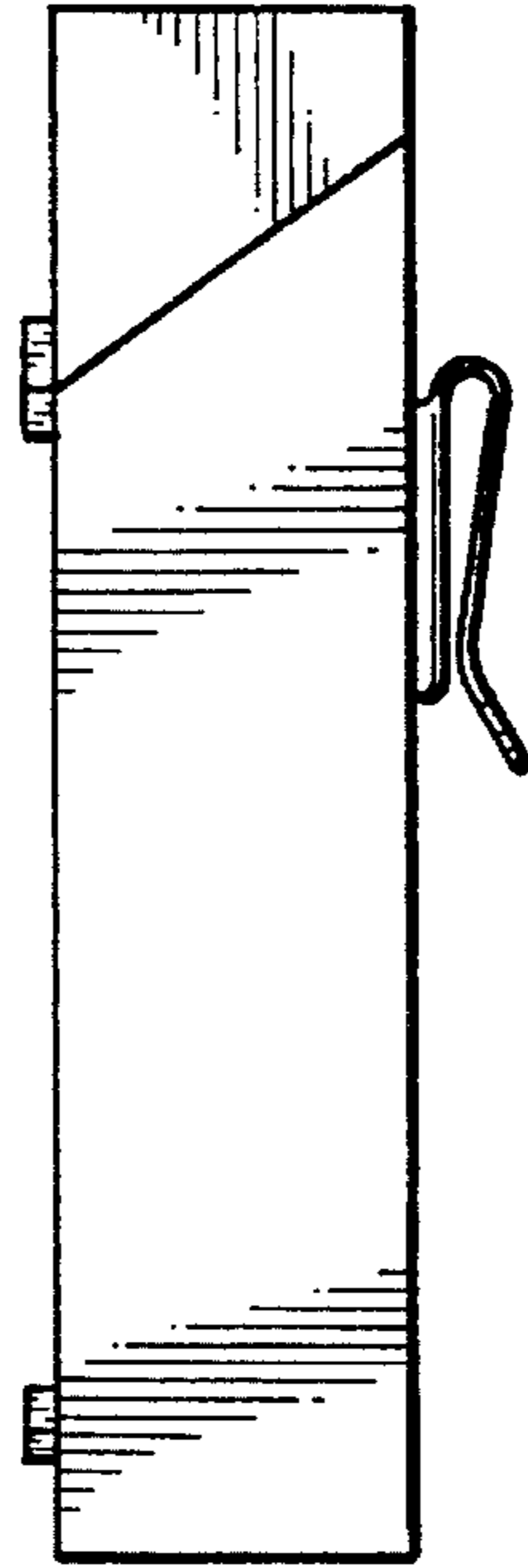


FIG. 5

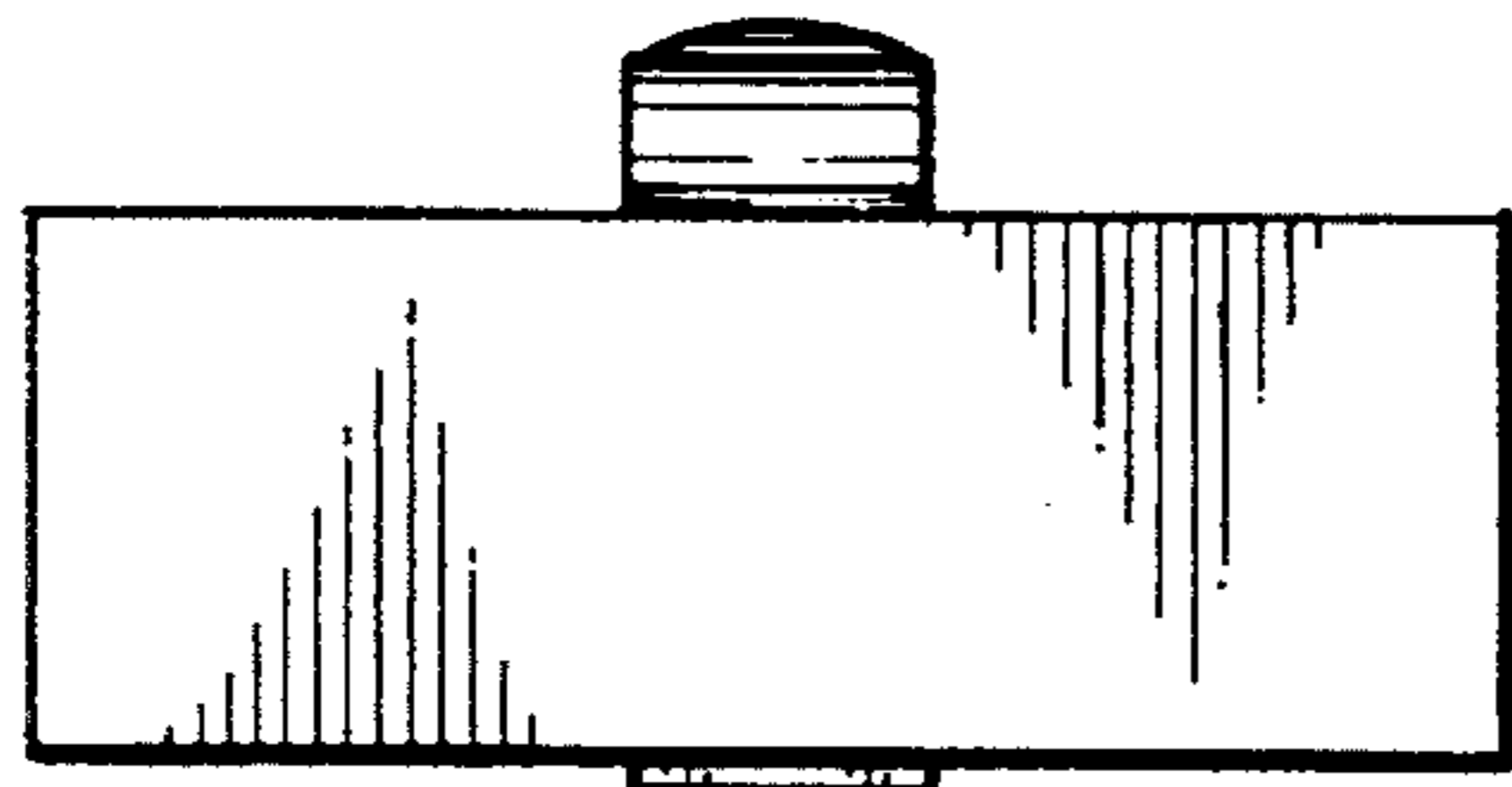


FIG. 6

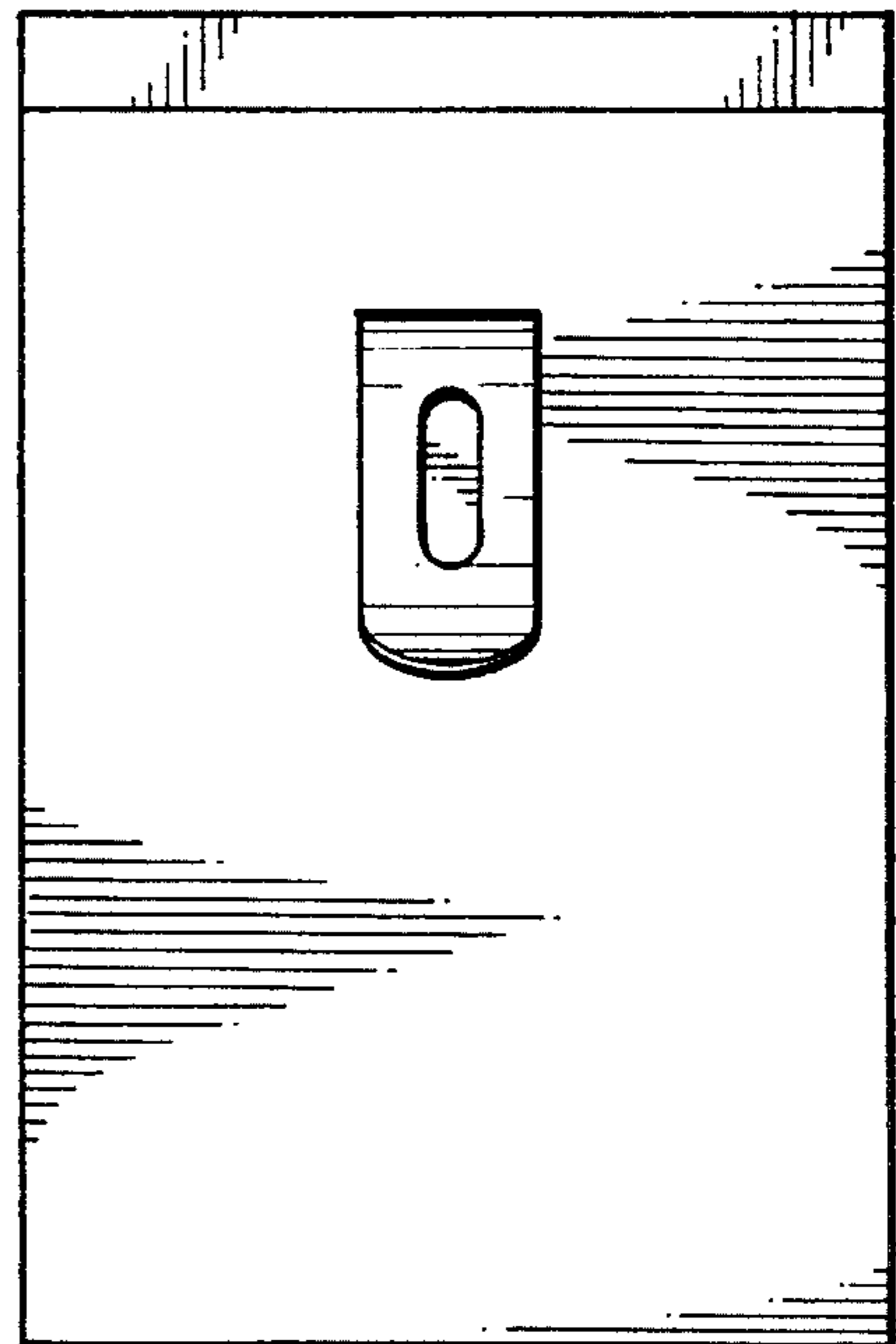


FIG. 7

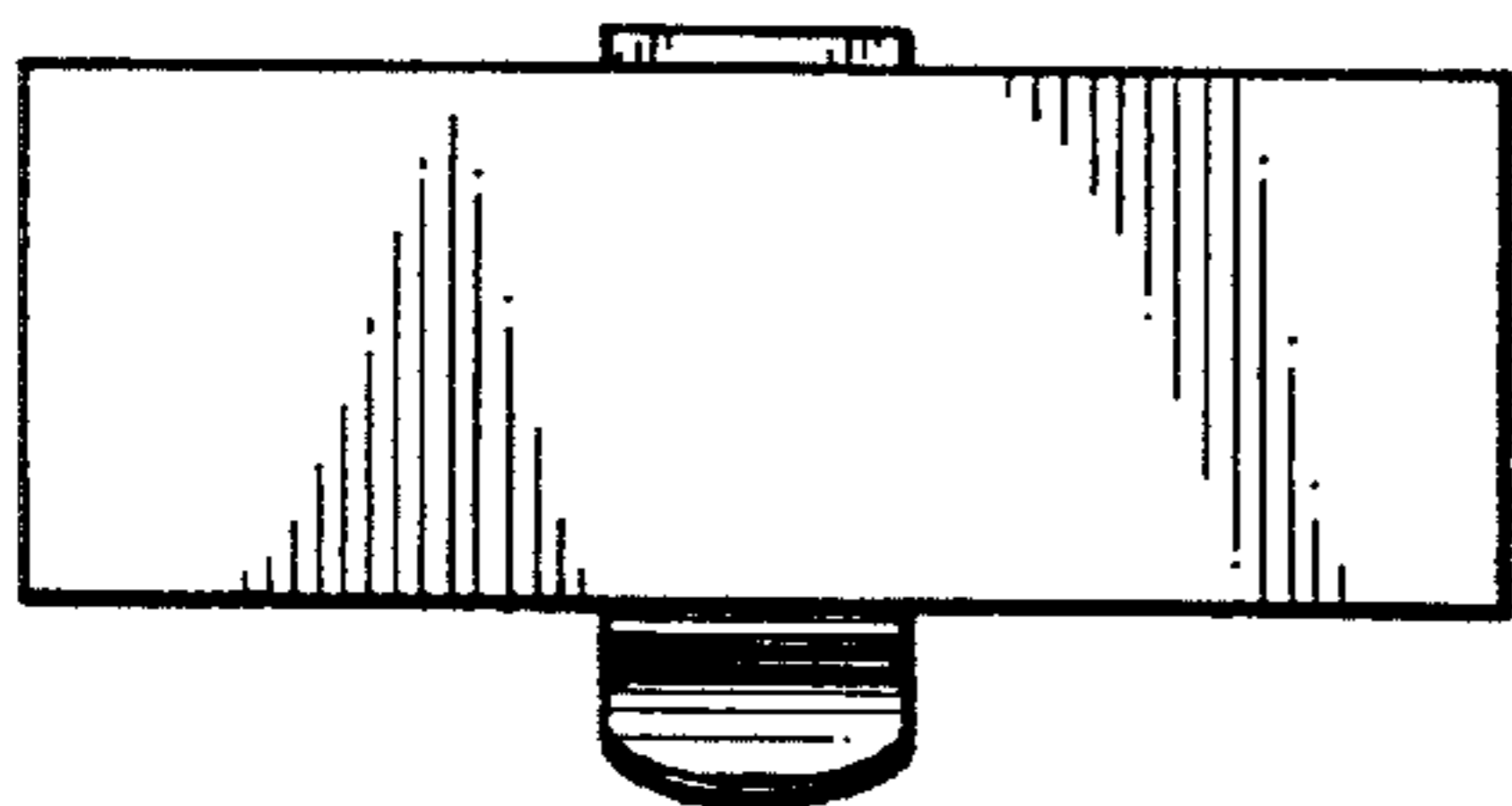


FIG. 3