



US00D363565S

United States Patent [19]

Sugiura et al.

[11] Patent Number: **Des. 363,565**

[45] Date of Patent: ****Oct. 24, 1995**

[54] **CLAMP-ON HOLDER FOR LED LAMP**

[75] Inventors: **Noriyasu Sugiura; Yukio Hisada**, both of Shizuoka, Japan

[73] Assignee: **Yazaki Industrial Chemical Co., Ltd.**, Shizuoka, Japan

[**] Term: **14 Years**

[21] Appl. No.: **25,421**

[22] Filed: **Jul. 1, 1994**

[52] U.S. Cl. **D26/60**

[58] **Field of Search** D26/138, 140, D26/60, 61; 248/225.31, 229, 230, 231, 231.6, 231.8, 309.1, 313, 316, 316.7; 362/190, 191, 396; 24/563, 343, 543, 455

[56] **References Cited**

U.S. PATENT DOCUMENTS

2,369,364 2/1945 Mayer 248/225.31 X
5,005,111 4/1991 Teal 362/190 X

Primary Examiner—Susan J. Lucas
Assistant Examiner—Cynthia Ramirez

Attorney, Agent, or Firm—Smith-Hill and Bedell

[57] **CLAIM**

The ornamental design for a clamp-on holder for LED lamp, as shown and described.

DESCRIPTION

FIG. 1 is a perspective view of a clamp-on holder for LED lamp showing my new design;
FIG. 2 is a front elevational view thereof;
FIG. 3 is a rear elevational view thereof;
FIG. 4 is a top plan view thereof;
FIG. 5 is a bottom end view thereof;
FIG. 6 is a right side elevational view thereof;
FIG. 7 is a sectional view along line 7—7 of FIG. 2;
FIG. 8 is a sectional view along line 8—8 of FIG. 2;
FIG. 9 is a sectional view along line 9—9 of FIG. 2;
FIG. 10 is a perspective view showing the use as a clamp-on holder for LED lamp fitting to the frame member. The broken lines are for illustrative purpose only and form no part of the claimed design; and,
FIG. 11 is a rear perspective view of a clamp-on holder for LED lamp.

1 Claim, 5 Drawing Sheets

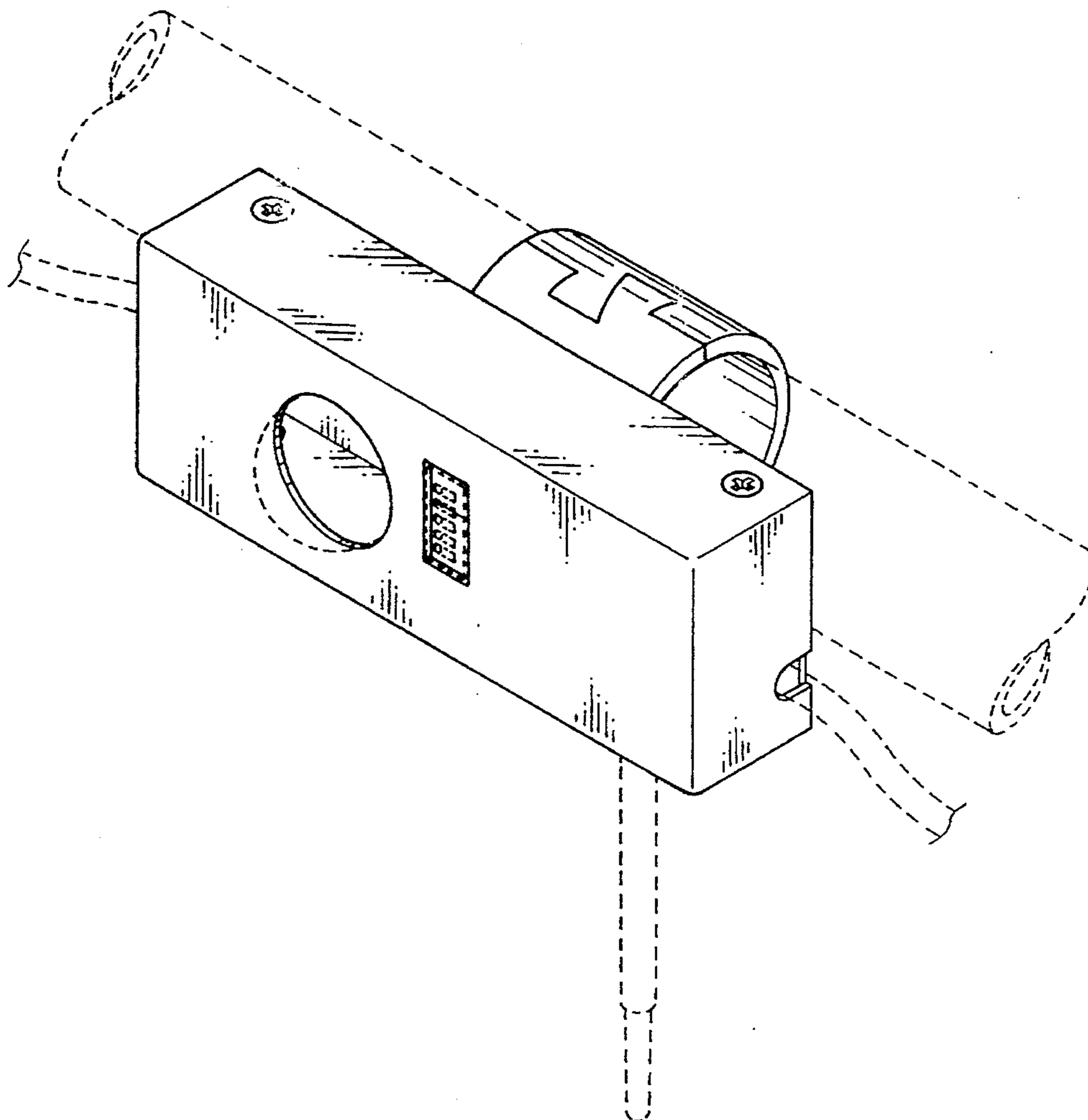


FIG. 1

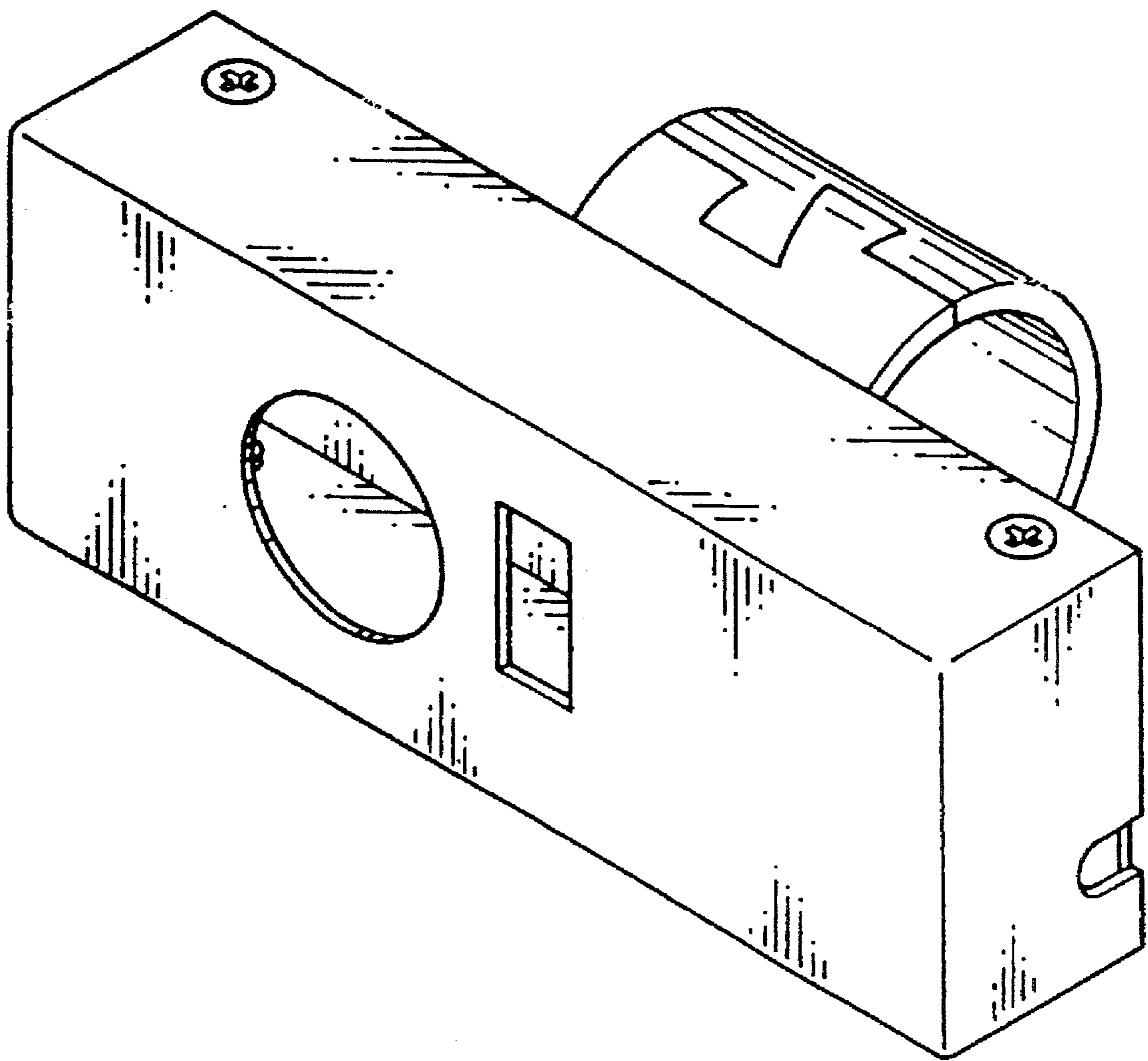


FIG. 2

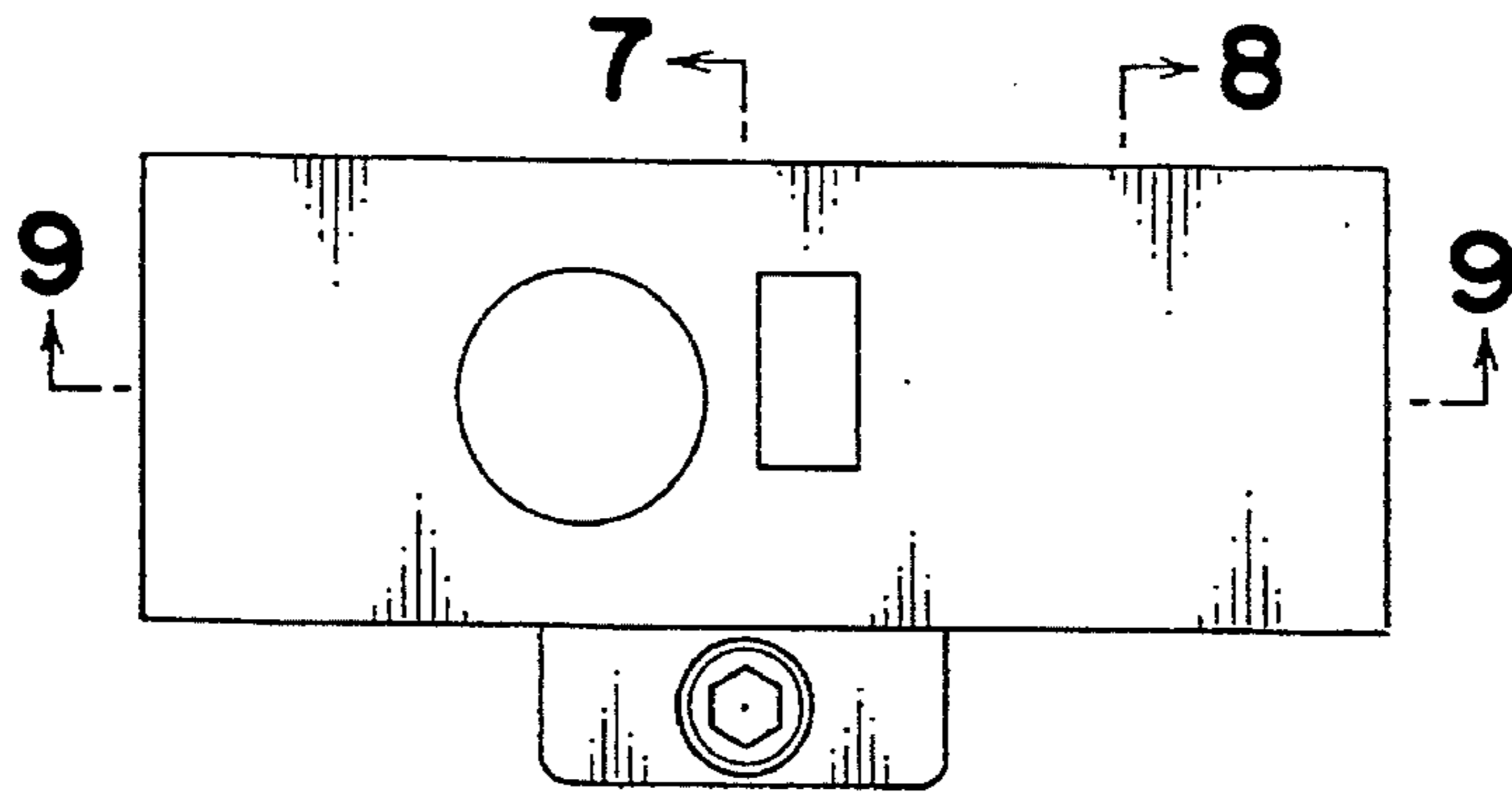


FIG. 3

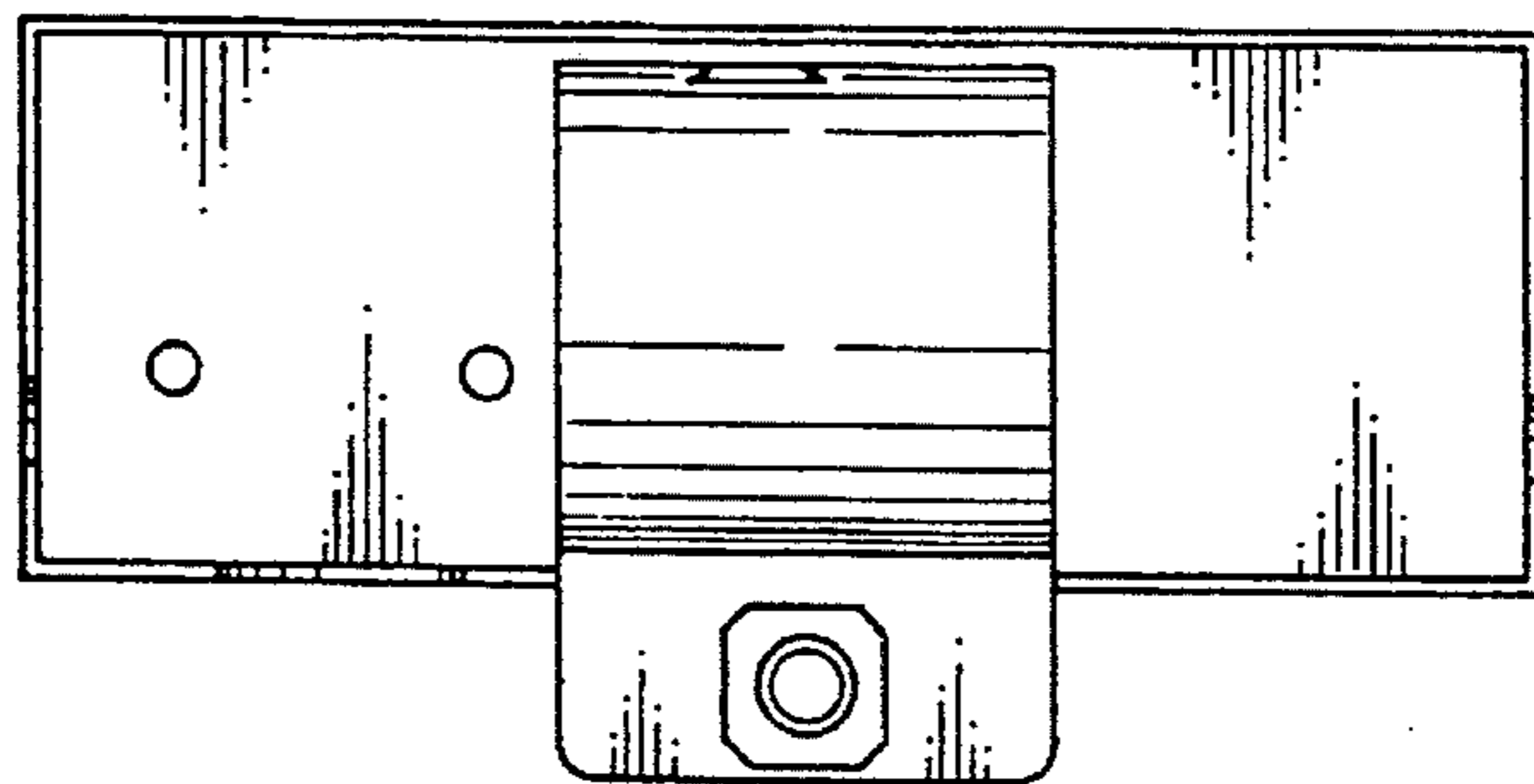


FIG. 4

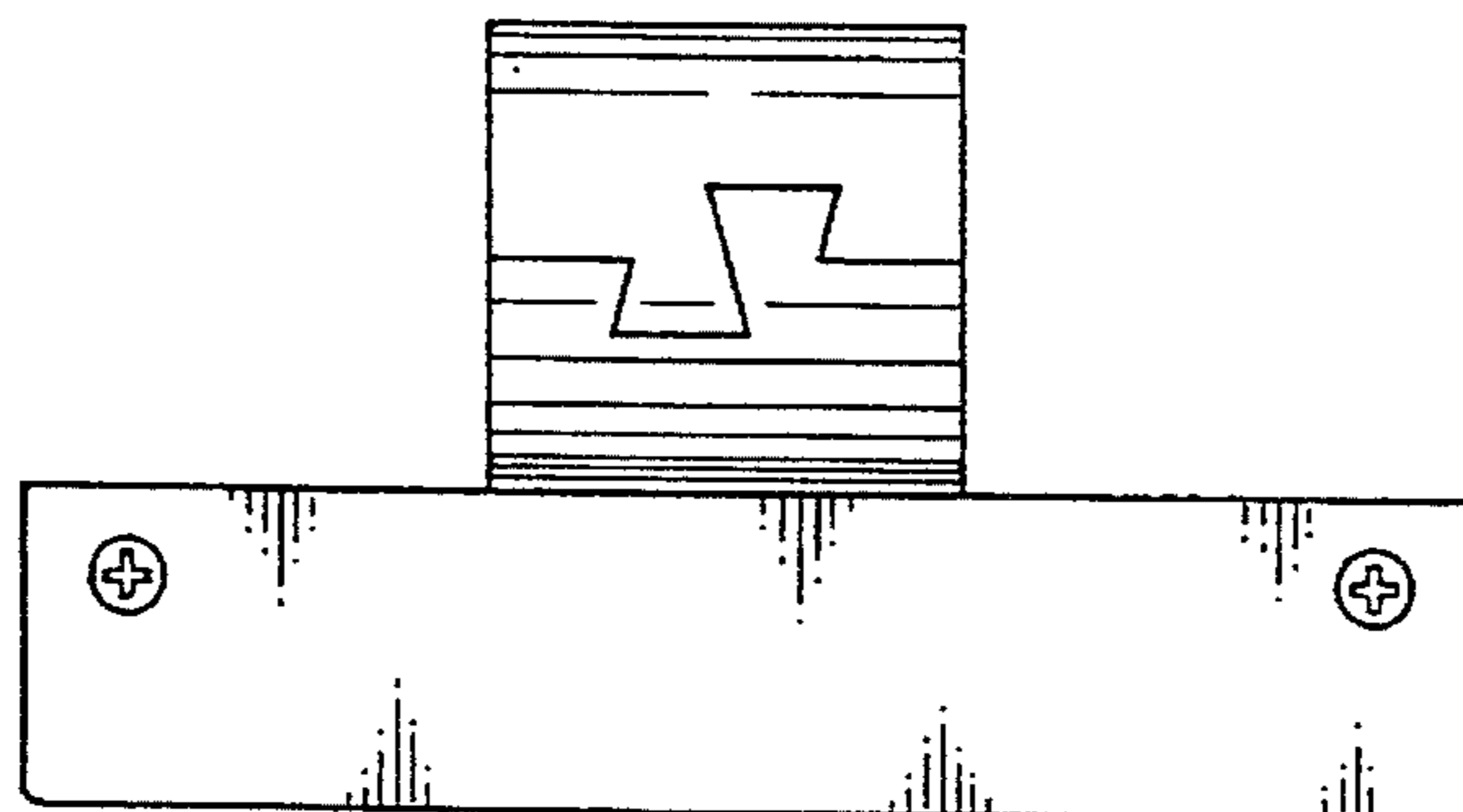


FIG. 5

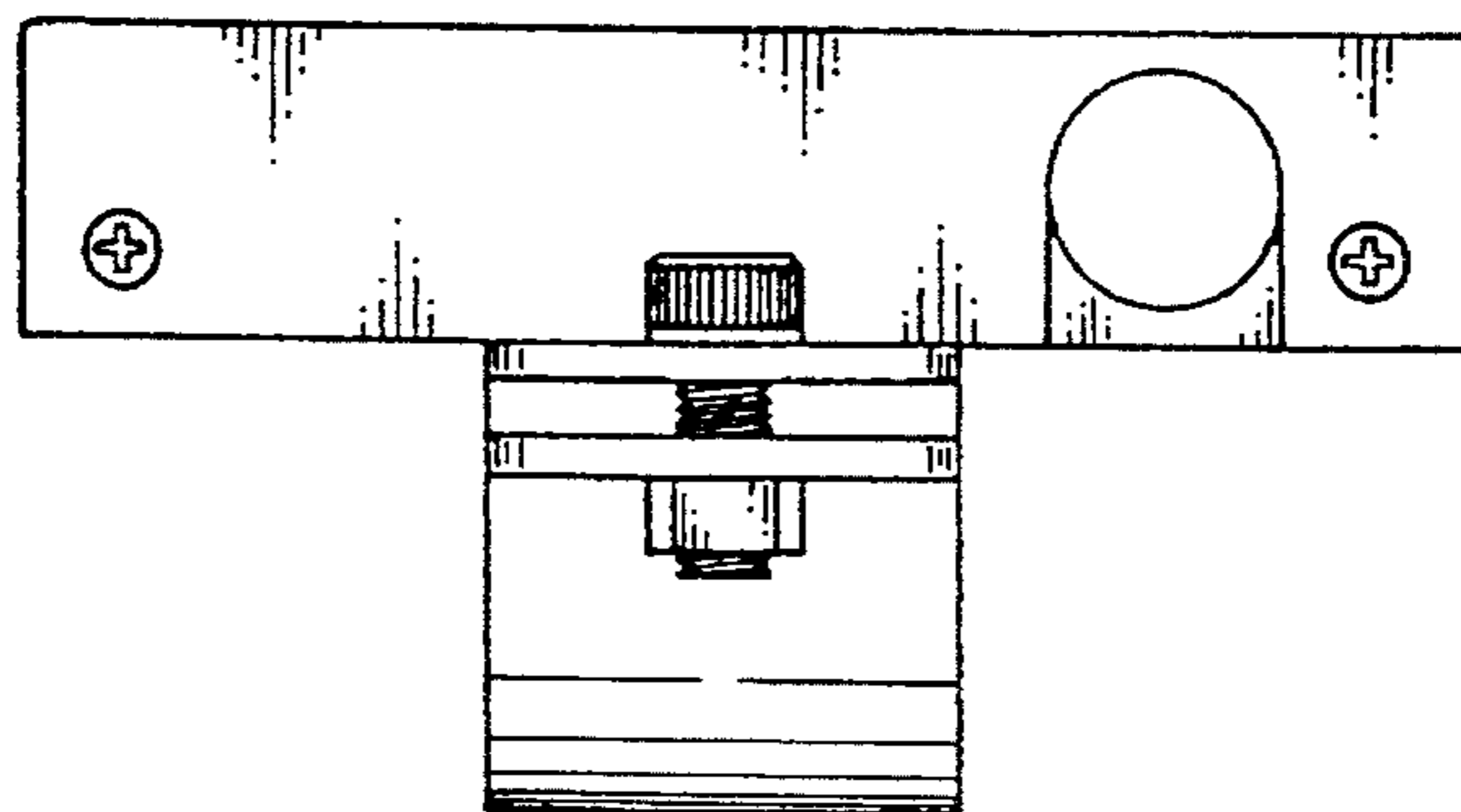


FIG. 6

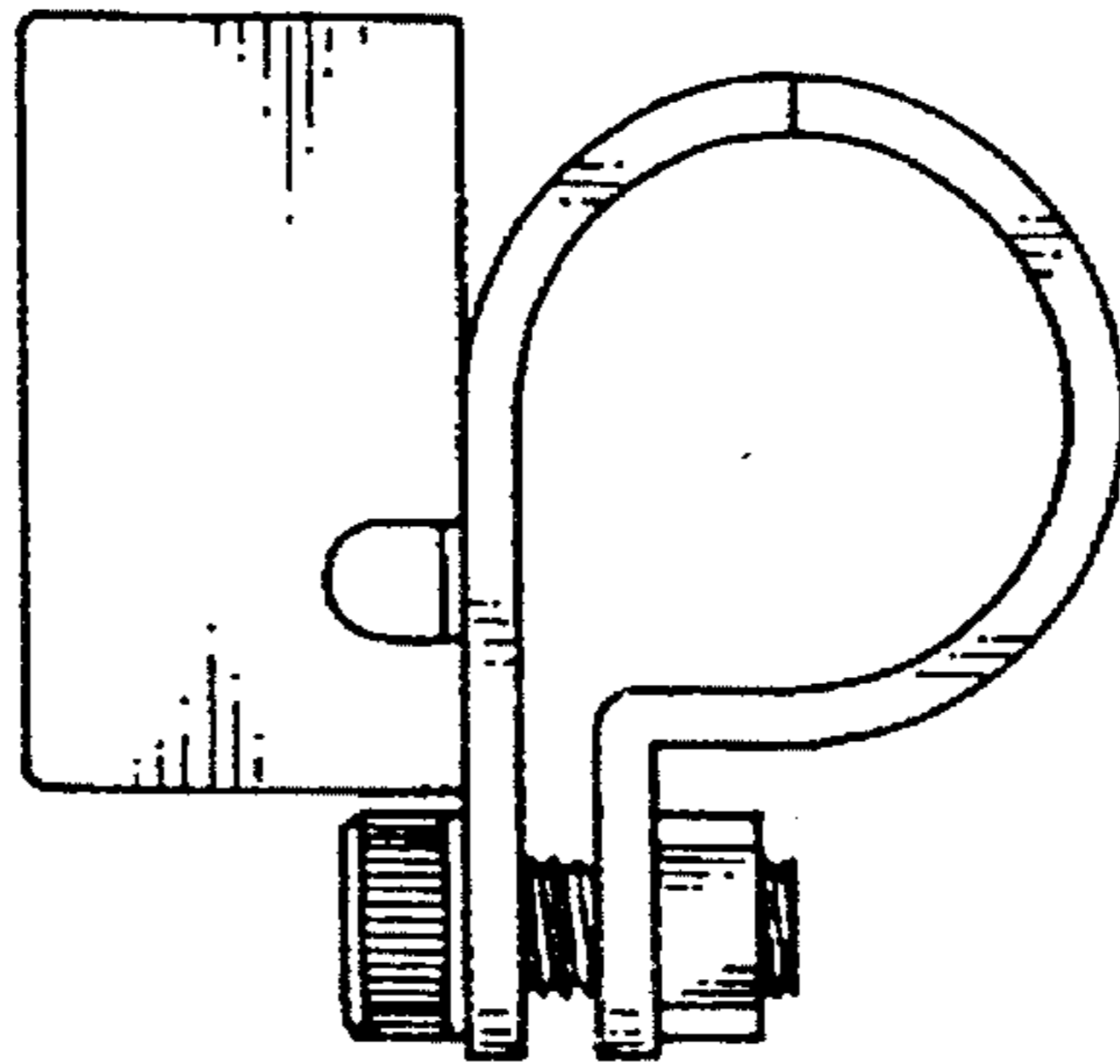


FIG. 7

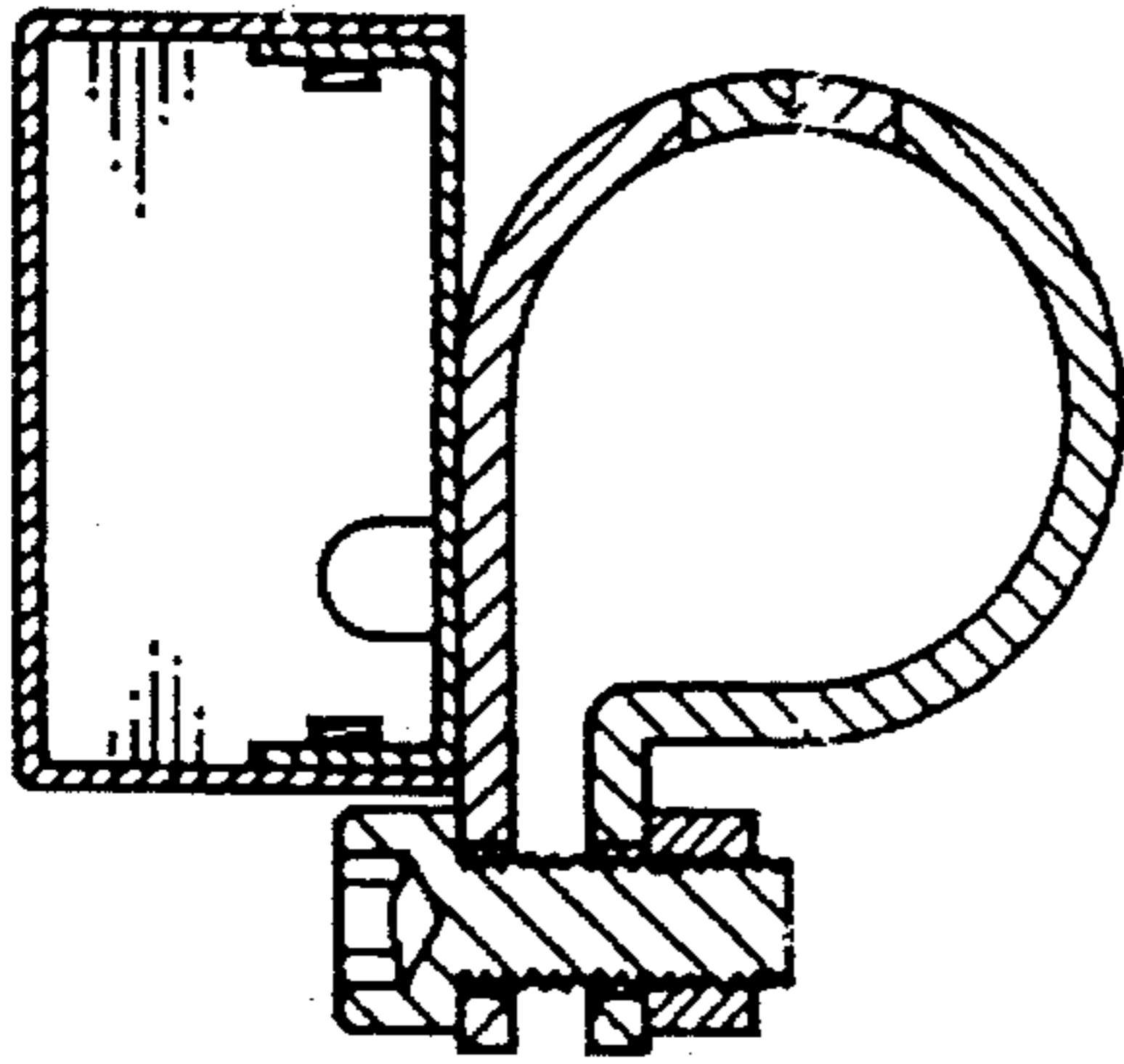


FIG. 8

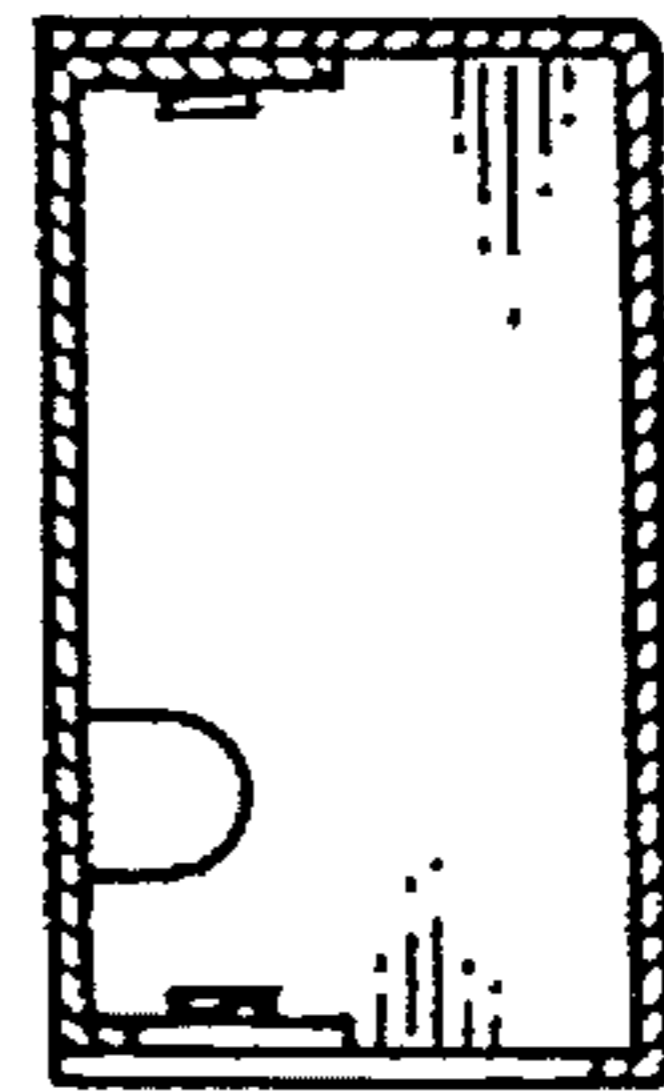


FIG. 9

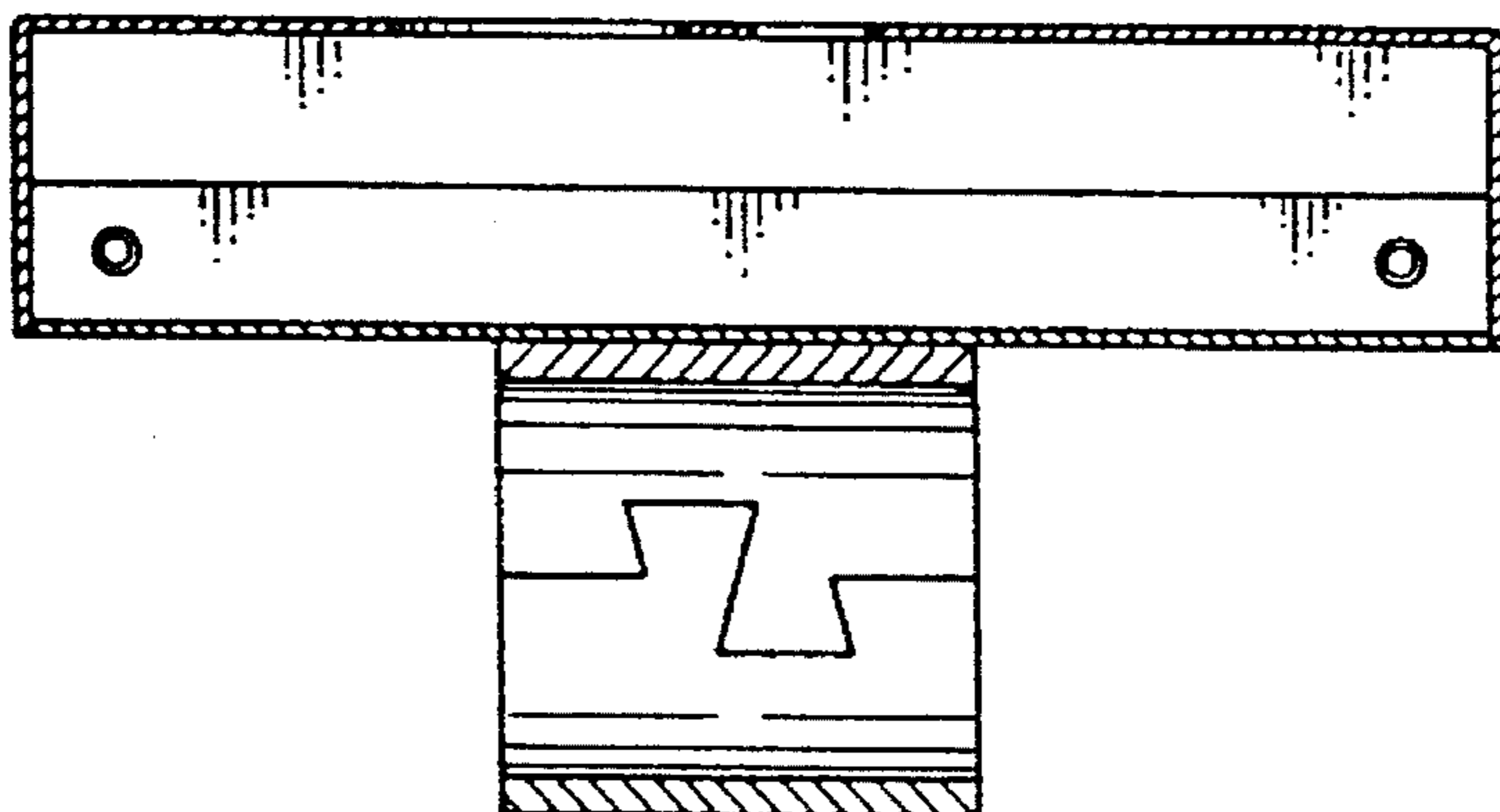


FIG. 10

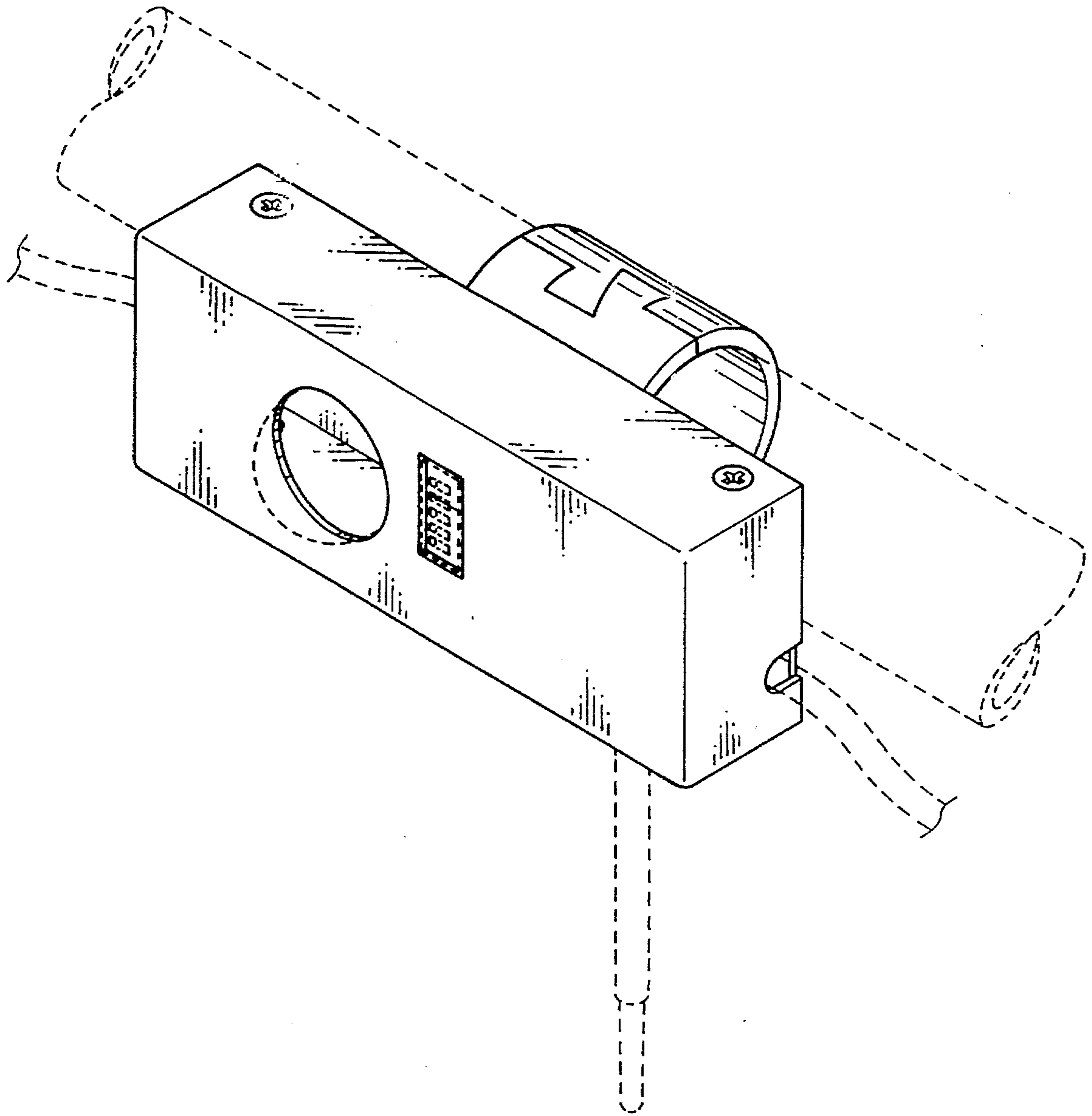


FIG. 11

