



US00D363564S

# United States Patent [19]

Kish et al.

[11] Patent Number: **Des. 363,564**

[45] Date of Patent: **\*\*Oct. 24, 1995**

[54] FLASHLIGHT

[75] Inventors: **Paul A. Kish**, Wilkes-Barre Township, Pa.; **Graham E. Leavy**, Montville, N.J.; **Randy S. Cramer**, Lebanon, Pa.

[73] Assignee: **Bright Star Industries, Inc.**, Wilkes-Barre, Pa.

[\*\*] Term: **14 Years**

[21] Appl. No.: **21,608**

[22] Filed: **Apr. 20, 1994**

[52] U.S. Cl. .... **D26/49**

[58] Field of Search ..... D26/37-50; 362/157-158, 362/171-172, 178, 181, 183, 192, 194, 196-197, 200-206

D. 322,141	12/1991	Yuen .	
D. 331,118	11/1992	Yeung .	
2,253,951	8/1941	Desimone .	
2,299,035	10/1942	Rothenberg .....	362/158
2,606,242	8/1952	Mitchell .....	362/205
4,800,472	1/1989	Burton et al. ....	362/158

### OTHER PUBLICATIONS

Bright Star Flashlights items A, B and C p. 192 Techni-Tool Catalog Jan. 1991.

*Primary Examiner*—A. Hugo Word  
*Assistant Examiner*—Robin V. Taylor  
*Attorney, Agent, or Firm*—Nies, Kurz, Bergert & Tamburro

### [57] CLAIM

The ornamental design for a flashlight, as shown and described.

### DESCRIPTION

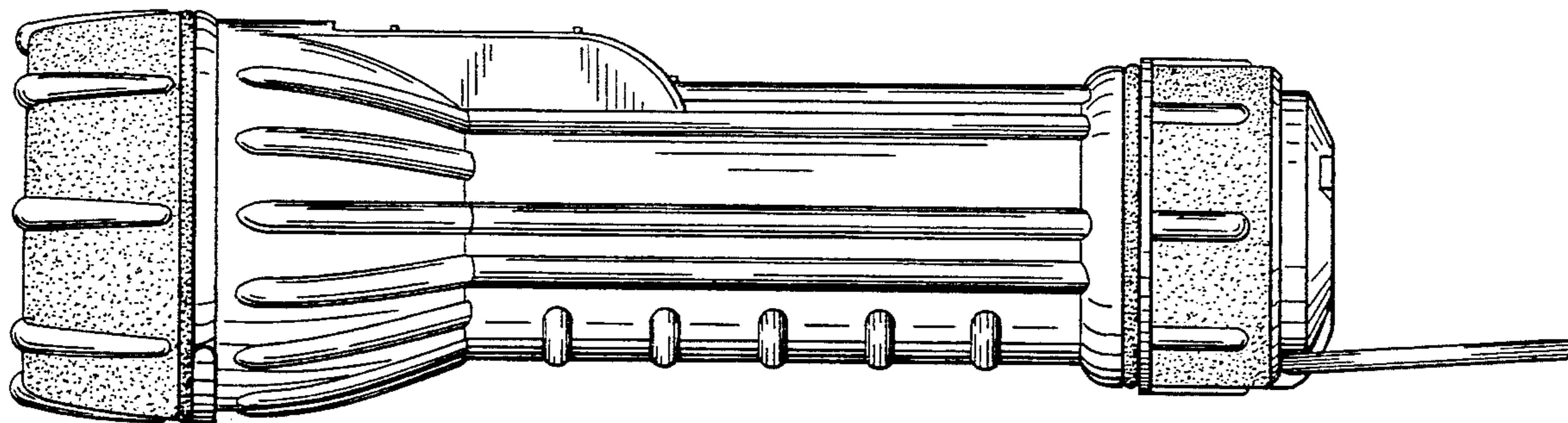
FIG. 1 is a left side elevation of our new flashlight design with the hanger ring extended;  
FIG. 2 is a top plan view thereof; with the hanger ring extended;  
FIG. 3 is a bottom plan view thereof; with the hanger ring folded;  
FIG. 4 is a right side elevation thereof;  
FIG. 5 is a front elevation thereof;  
FIG. 6 is a rear elevation thereof; and,  
FIG. 7 is a side view rotated 45 degrees from that shown in FIG. 2.

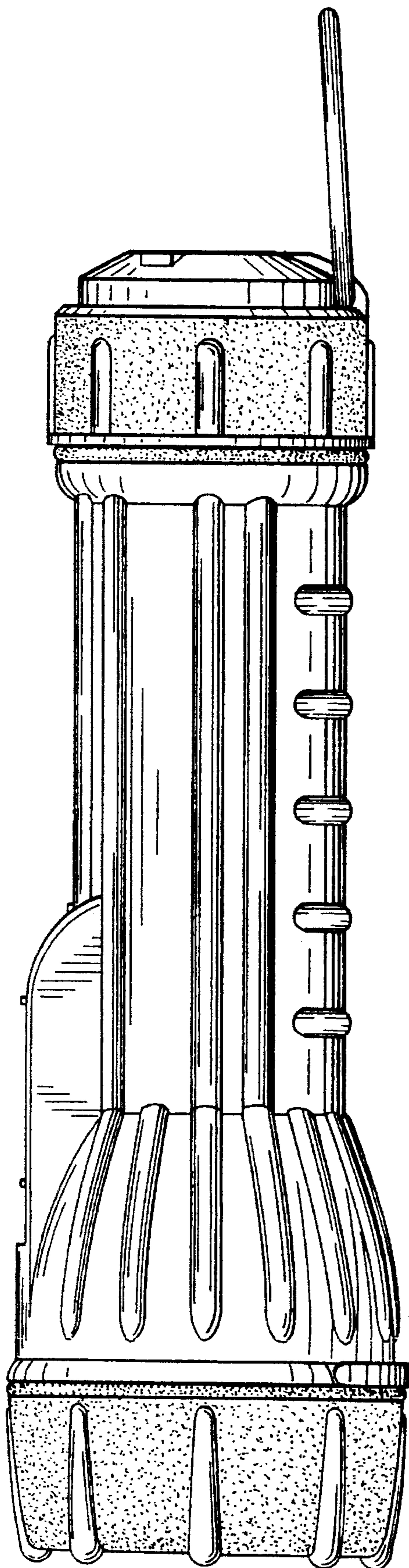
1 Claim, 3 Drawing Sheets

### [56] References Cited

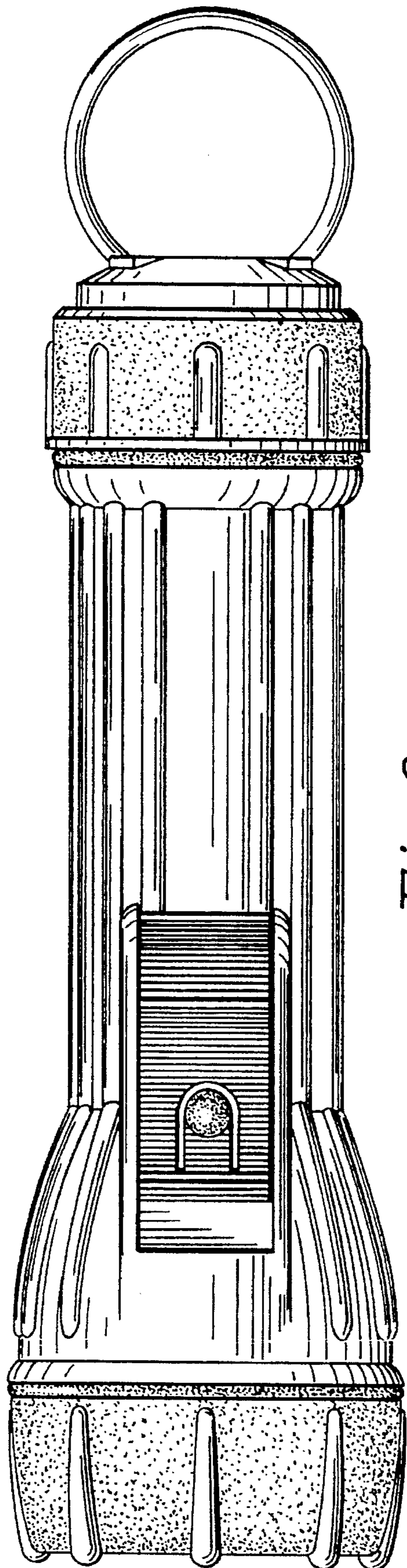
#### U.S. PATENT DOCUMENTS

D. 92,479	6/1934	Lees .	
D. 102,215	12/1936	Westfall et al. .	
D. 107,274	11/1937	Wood .	
D. 111,344	9/1938	Desimone .....	D26/49
D. 113,864	3/1939	Desimone .	
D. 120,670	5/1940	Gits .	
D. 126,576	4/1941	Deibel .	
D. 136,756	11/1943	Barash .	
D. 188,288	6/1960	Hansen et al. .	
D. 188,956	10/1960	Graubner .	
D. 197,082	12/1963	Oakley .	
D. 286,681	11/1986	Hung .	

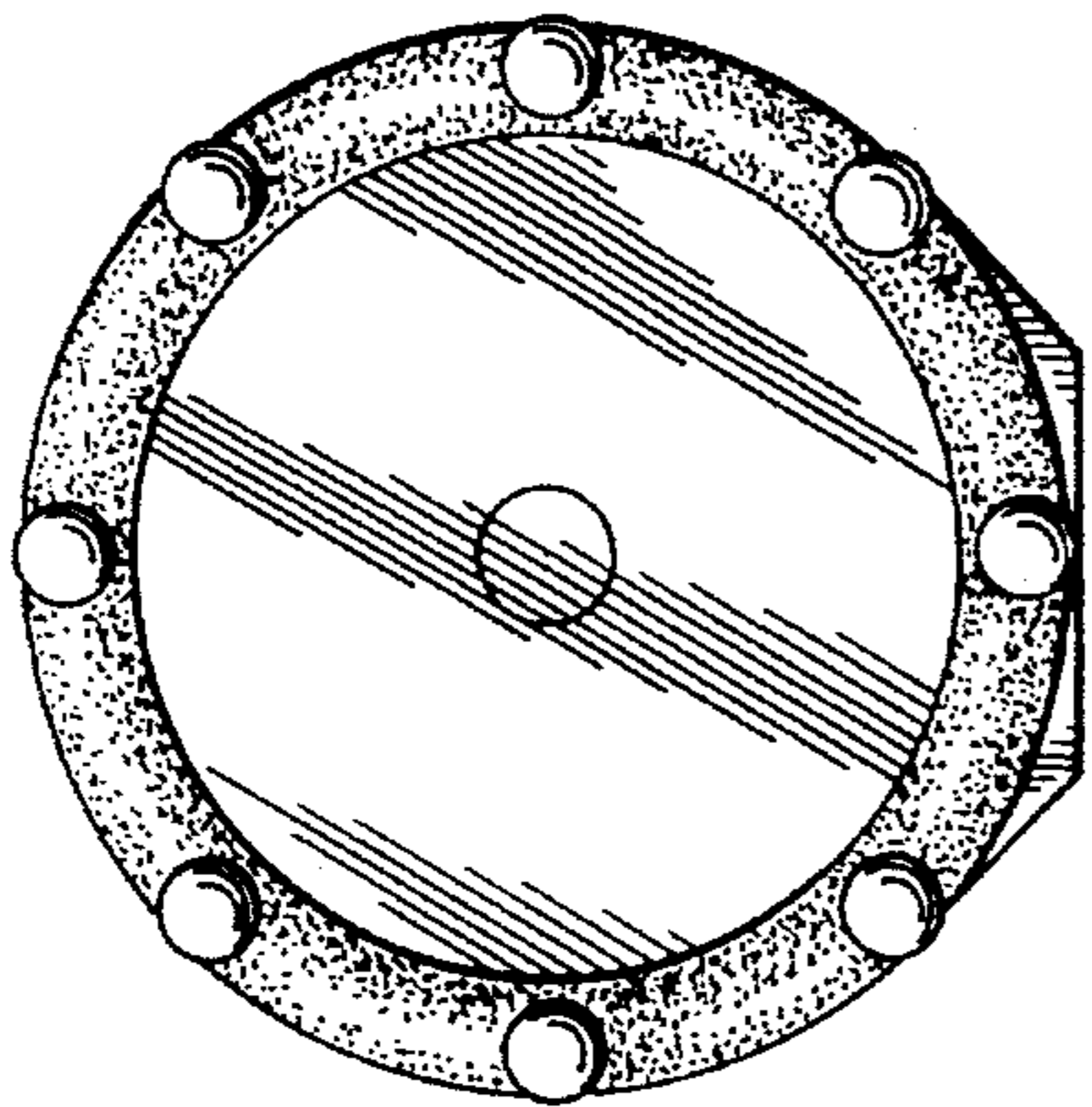




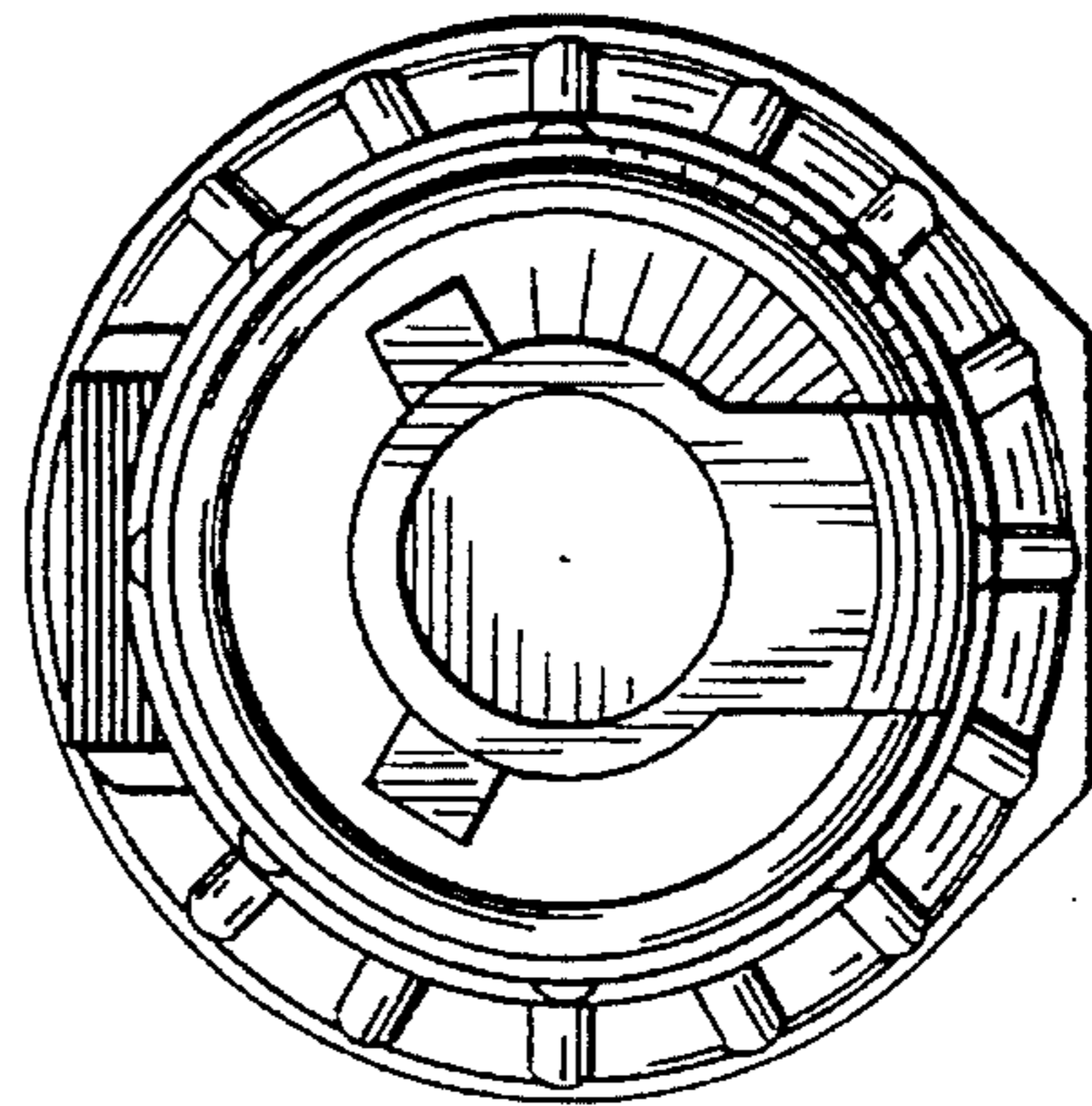
*Fig. 1*



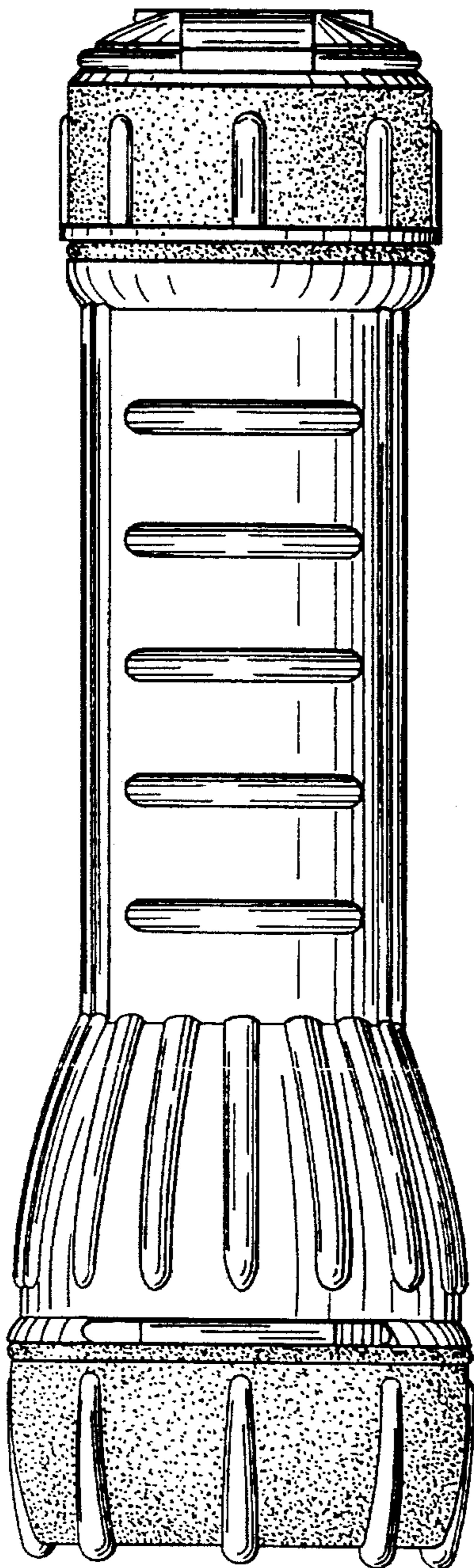
*Fig. 2*



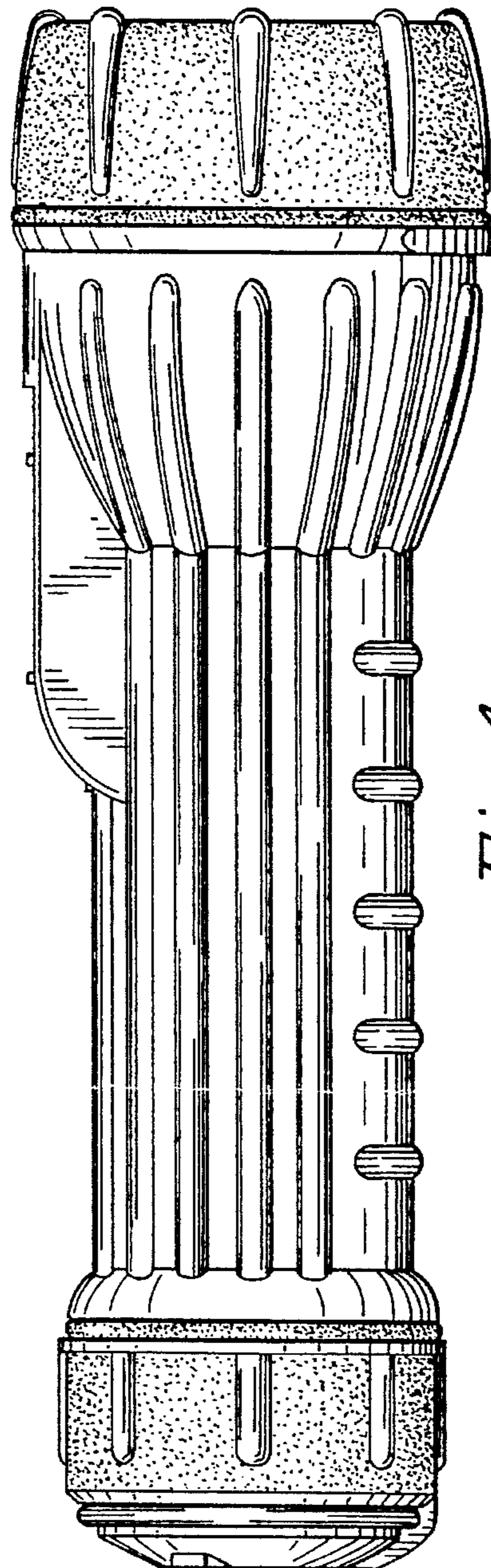
*Fig. 5*



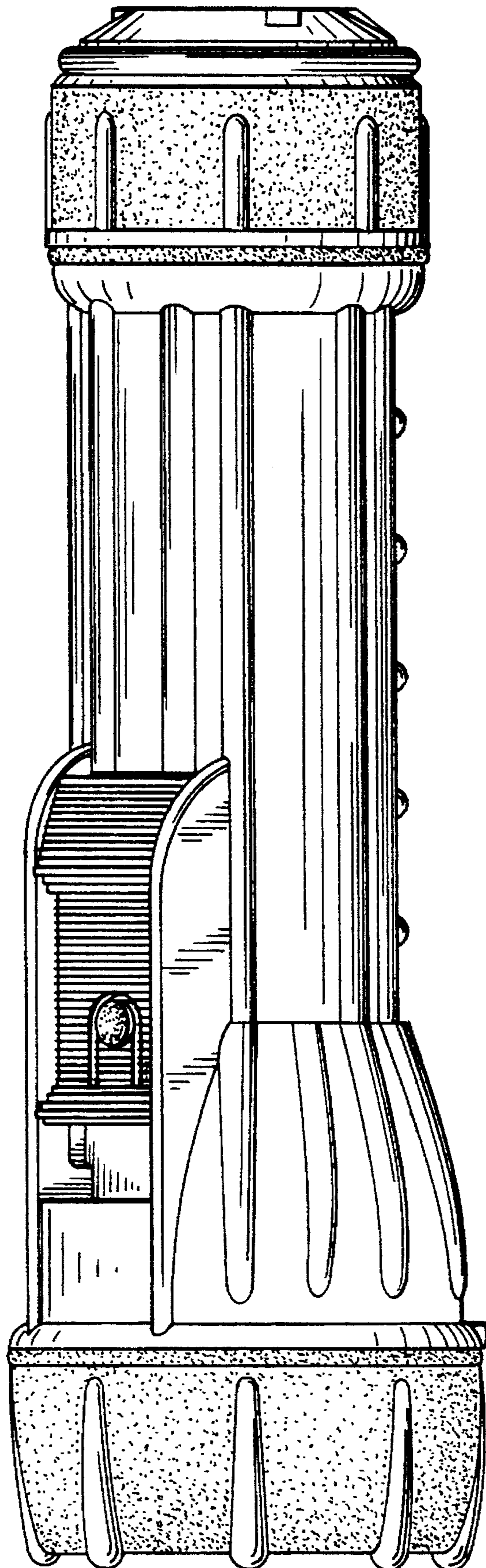
*Fig. 6*



*Fig. 3*



*Fig. 4*



*Fig. 7*