



US00D363562S

United States Patent [19]
Schildt

[11] **Patent Number: Des. 363,562**

[45] **Date of Patent: **Oct. 24, 1995**

[54] **MOUTH SUPPORTED FLASHLIGHT**

[76] Inventor: **Eddie Schildt**, P.O. Box 1754,
Browning, Mont. 59417

[**] Term: **14 Years**

[21] Appl. No.: **10,025**

[22] Filed: **Jun. 24, 1993**

[52] U.S. Cl. **D26/39**

[58] Field of Search **D26/37, 38, 39,**
D26/41, 48, 50, 49; 362/108, 103, 157,
158, 190, 202, 191

[56] **References Cited**

U.S. PATENT DOCUMENTS

D. 332,500 1/1993 Churchill D26/46
5,063,483 11/1991 Feilmeier et al. 362/191 X

OTHER PUBLICATIONS

REI Spring Catalog—1990 p. 70—The MagLite Solitaire
Key Ring—Flashlight Box.

Primary Examiner—Susan J. Lucas
Assistant Examiner—Cynthin Ramirez

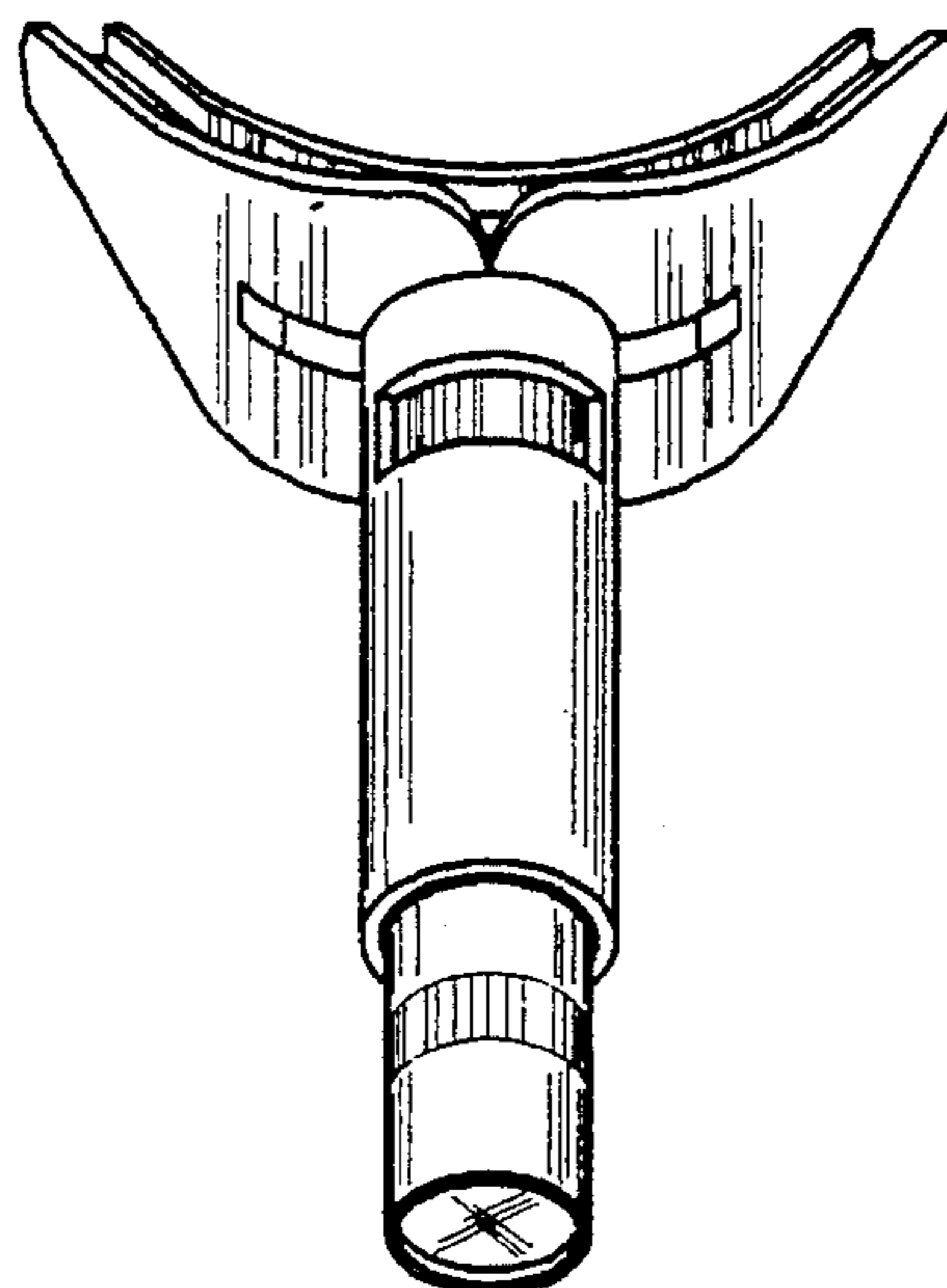
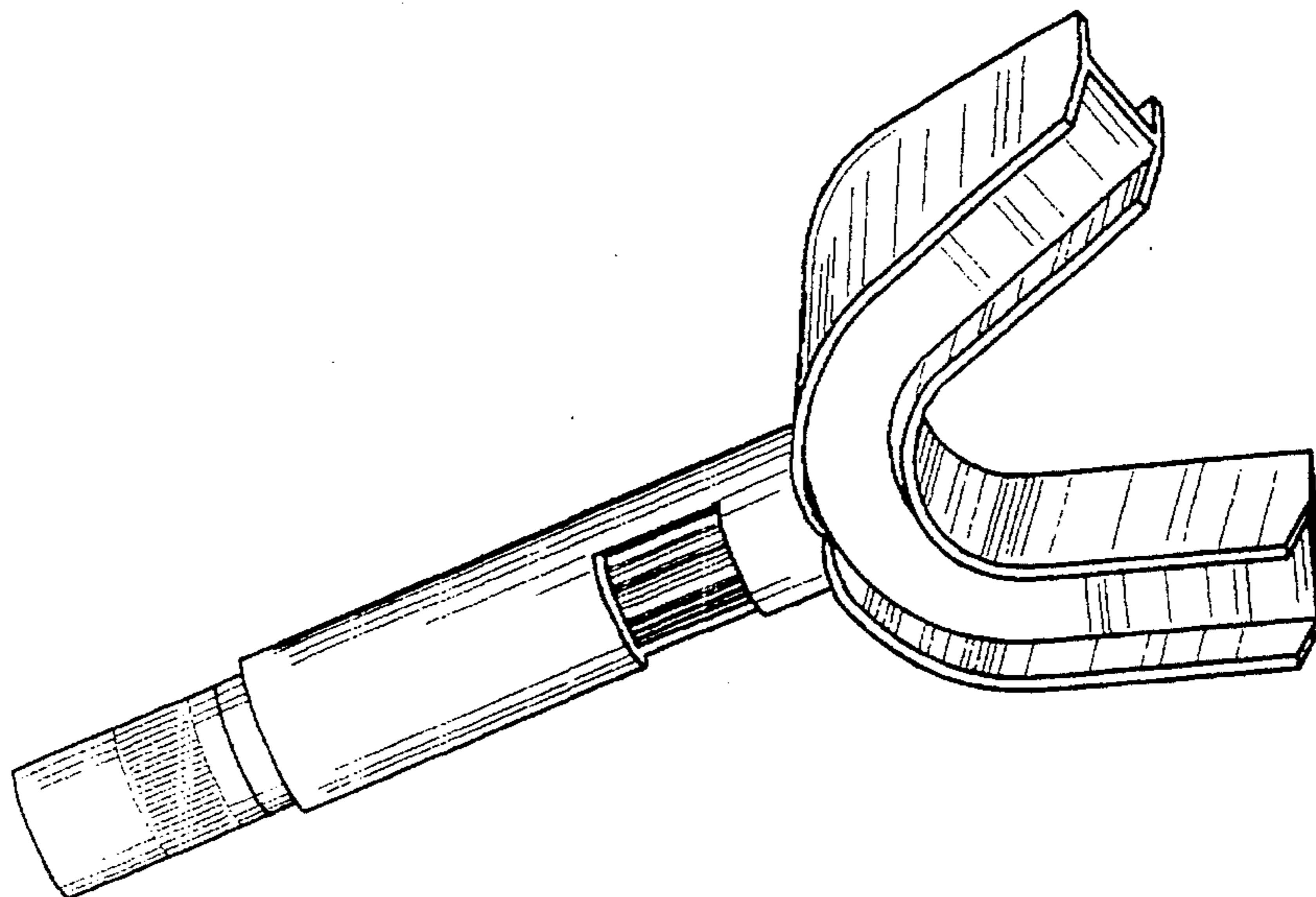
[57] **CLAIM**

The ornamental design for a mouth supported flashlight, as
shown and described.

DESCRIPTION

FIG. 1 is a right side perspective view thereof;
FIG. 2 is a top front perspective view thereof;
FIG. 3 is a front view thereof; and,
FIG. 4 is a top view thereof; the bottom being identical
except for the omission of the square opening in the tubular
portion of the mouthpiece.

1 Claim, 1 Drawing Sheet



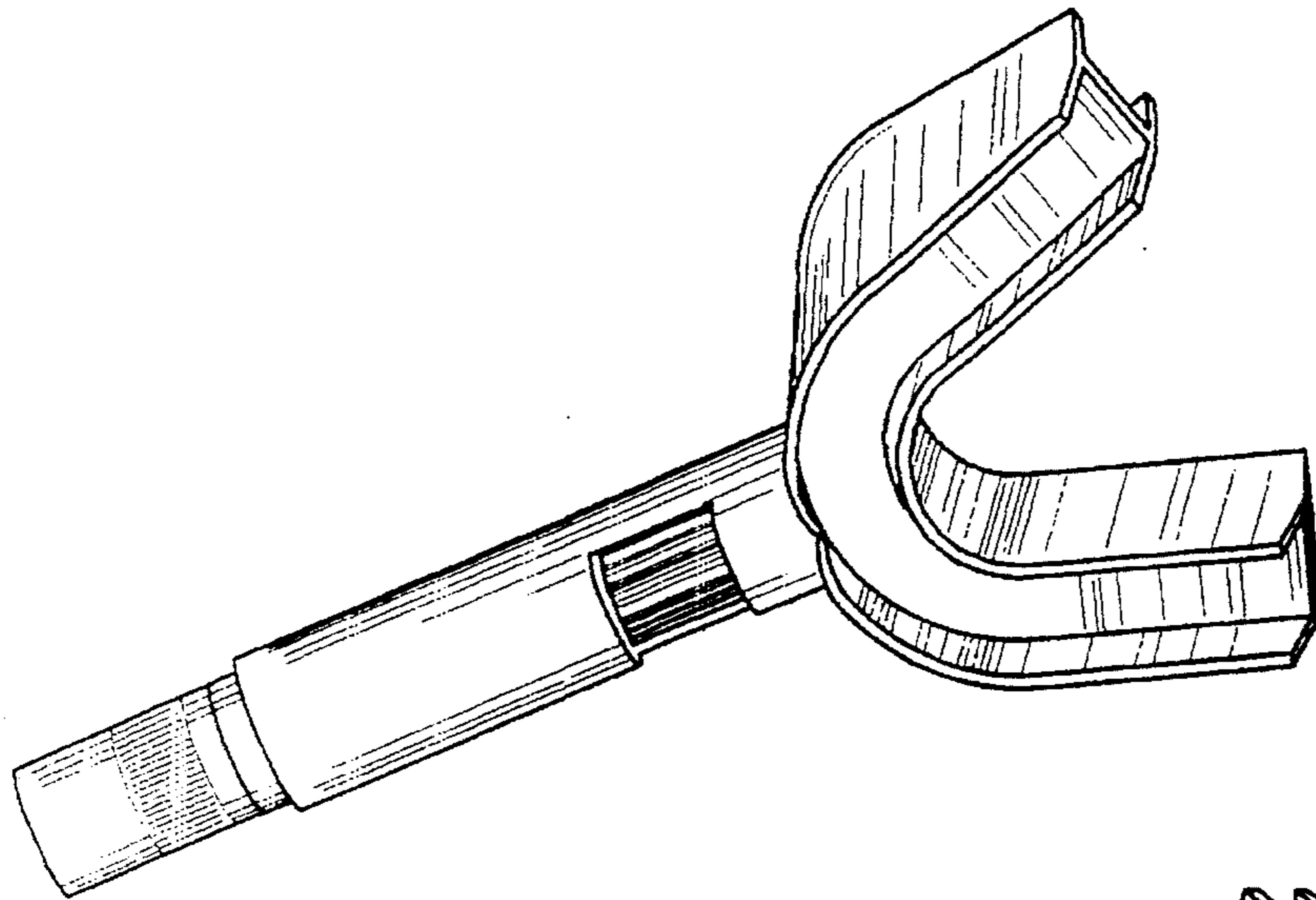


FIGURE 1

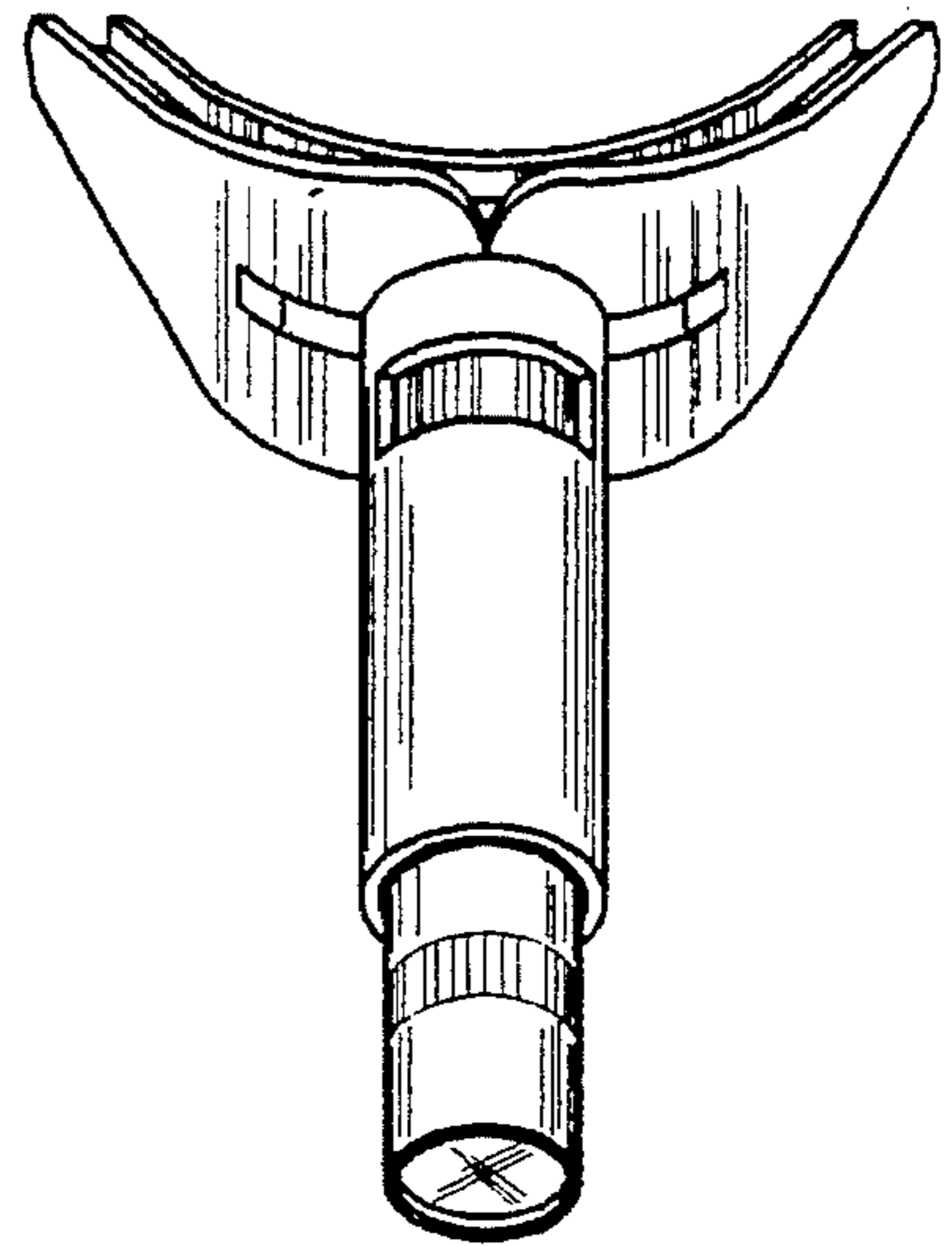


FIGURE 2

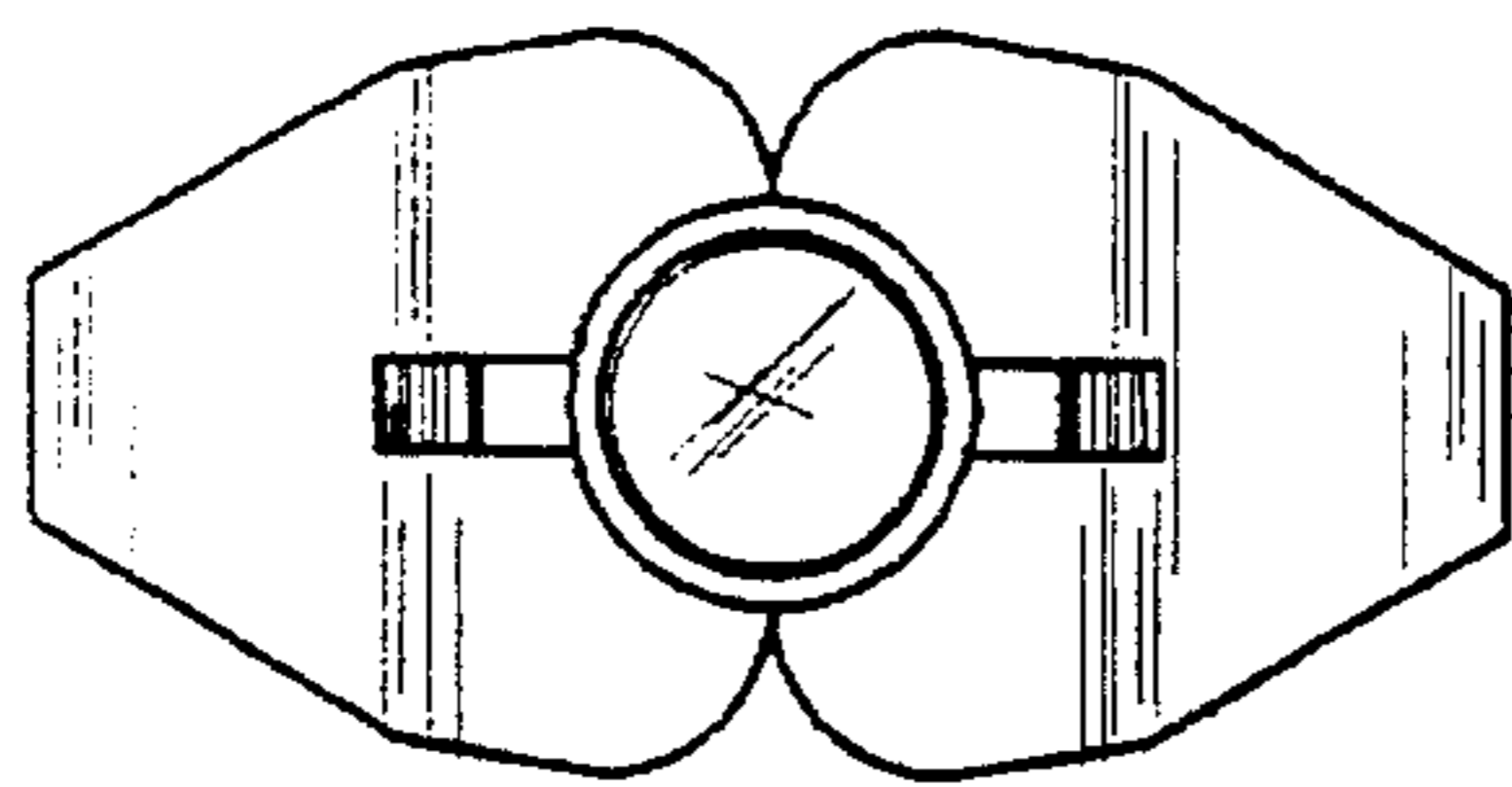


FIGURE 3

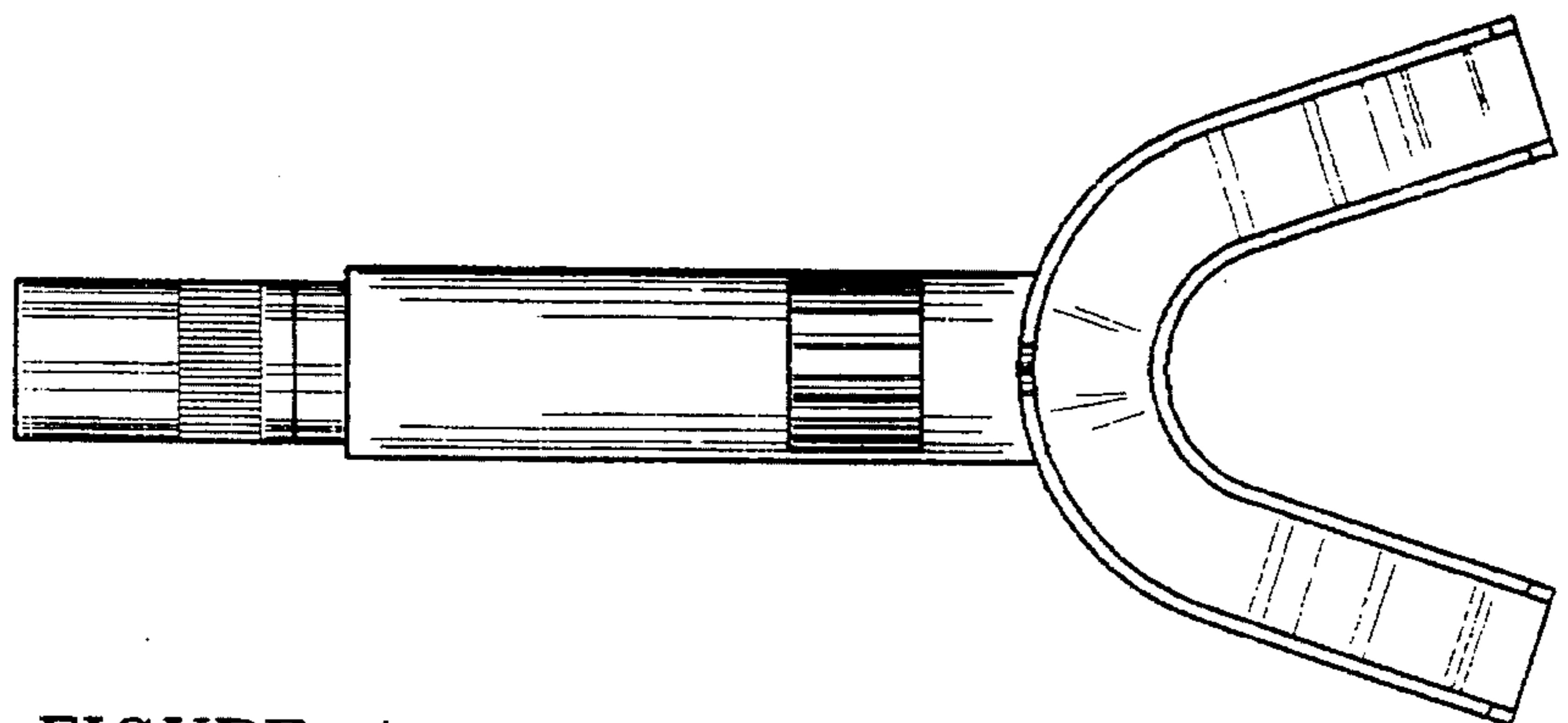


FIGURE 4