



US00D363560S

United States Patent [19]

Murata

[11] Patent Number: **Des. 363,560**

[45] Date of Patent: ****Oct. 24, 1995**

[54] DECORATIVE LAMP FOR A LIGHT STRING

[75] Inventor: **Kazuaki Murata**, Tokyo, Japan

[73] Assignee: **Moriyama Sangyo Kabushiki Kaisha**, Tokyo, Japan

[**] Term: **14 Years**

[21] Appl. No.: **17,909**

[22] Filed: **Jan. 25, 1994**

[52] U.S. Cl. **D26/25**

[58] Field of Search D26/25; 362/227, 362/236, 237, 238, 240, 249, 250, 252, 806, 226

[56] **References Cited**

U.S. PATENT DOCUMENTS

Re. 19,836	1/1936	Graf	362/252 X
D. 334,991	4/1993	Murata	D26/25
D. 336,528	6/1993	Murata	D26/25
D. 336,529	6/1993	Murata	D26/25
D. 340,298	10/1993	Murata	D26/25

D. 340,299	10/1993	Murata	D26/25
D. 352,563	11/1994	Murata	D26/25
4,783,726	11/1988	Wang	362/252

Primary Examiner—Susan J. Lucas
Attorney, Agent, or Firm—Spencer, Frank & Schneider

[57] **CLAIM**

The ornamental design for the decorative lamp for a light string, as shown and described.

DESCRIPTION

FIG. 1 is a perspective view of the decorative lamp for a light string seen from its front showing my new design; FIG. 2 is a front elevational view thereof; FIG. 3 is a rear view thereof; FIG. 4 is a plan view thereof; FIG. 5 is a bottom view thereof; FIG. 6 is a left-hand side view thereof; FIG. 7 is a right-hand side; and, FIG. 8 is a top perspective view thereof, the lamp string being shown in broken lines for illustrative purposes only.

1 Claim, 3 Drawing Sheets

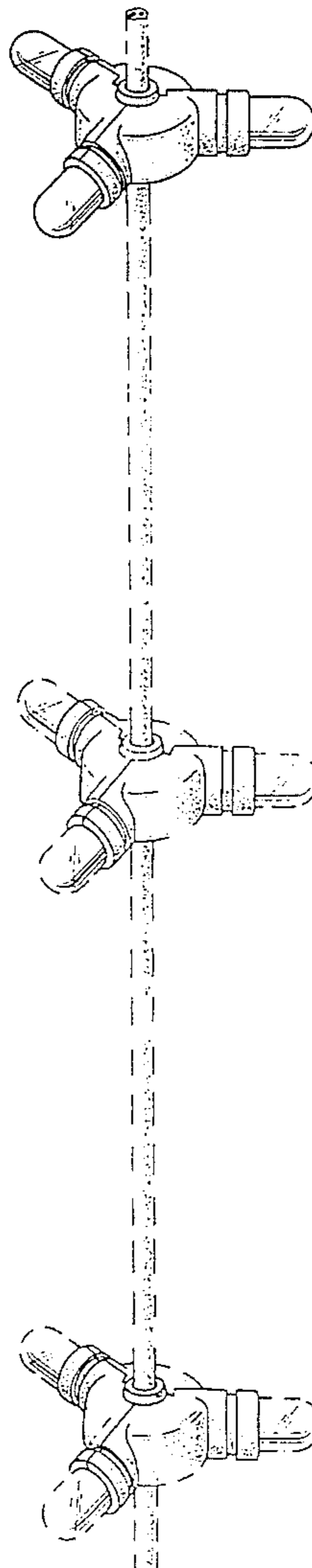


FIG. 1

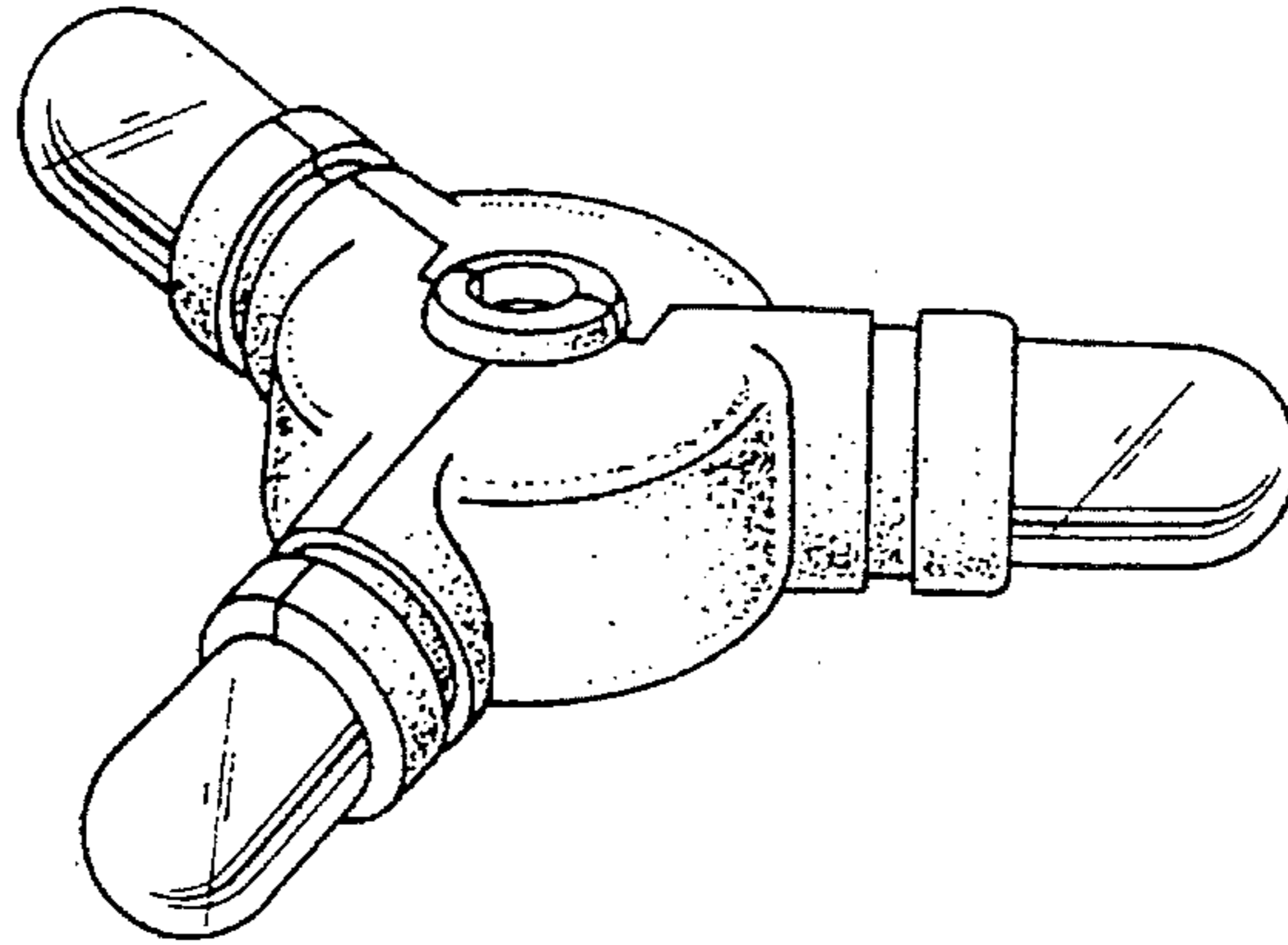


FIG. 2

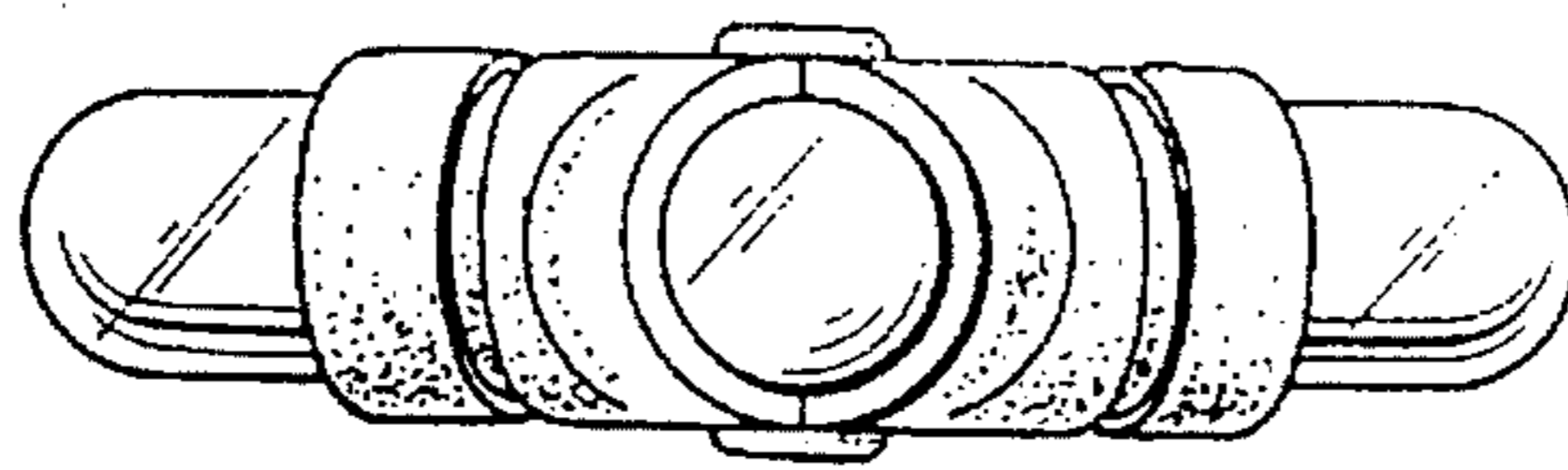


FIG. 3

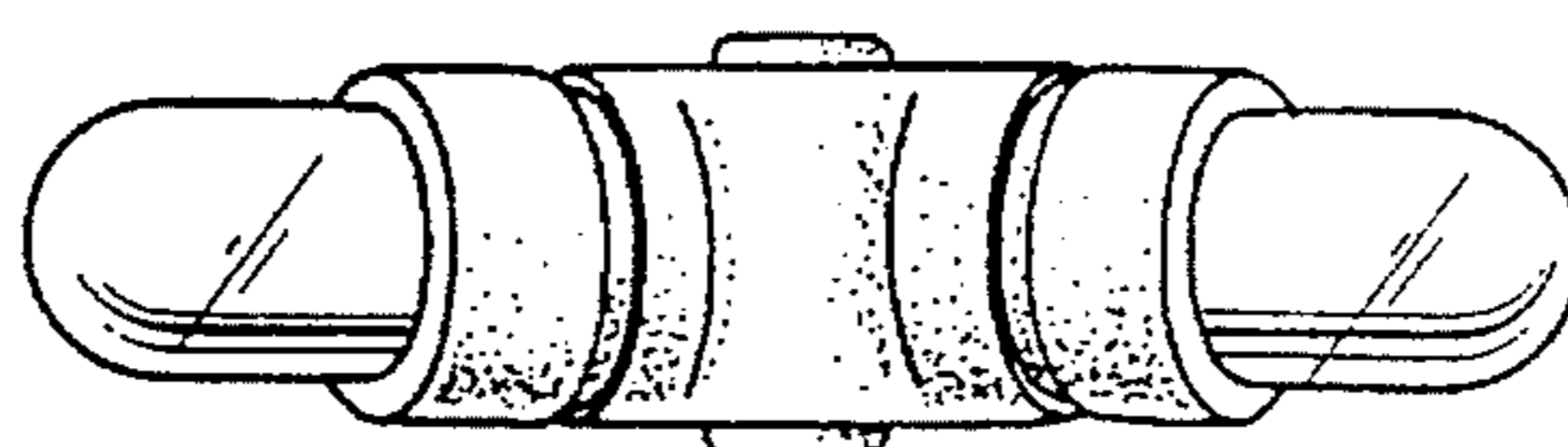


FIG. 4

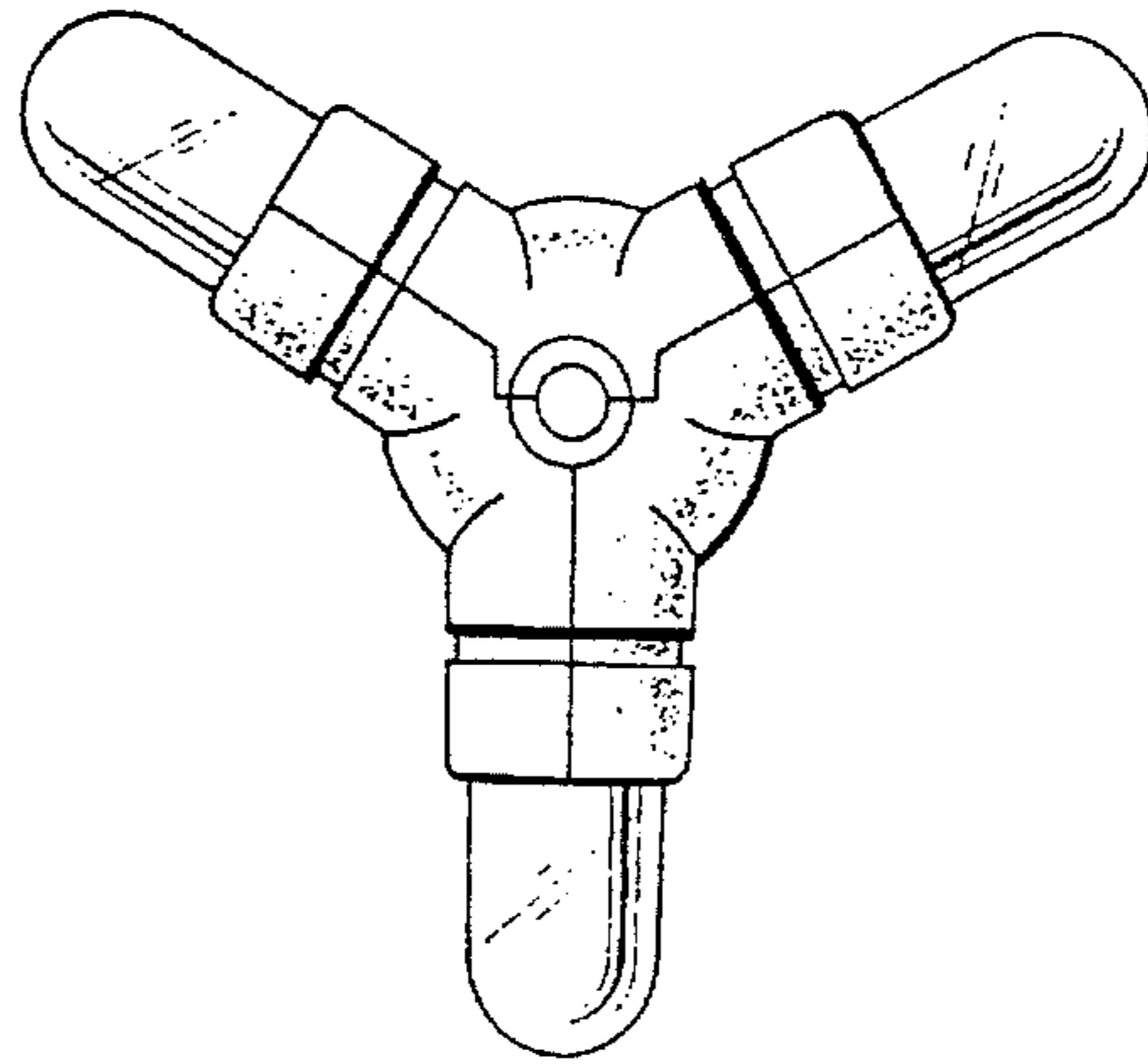


FIG. 5

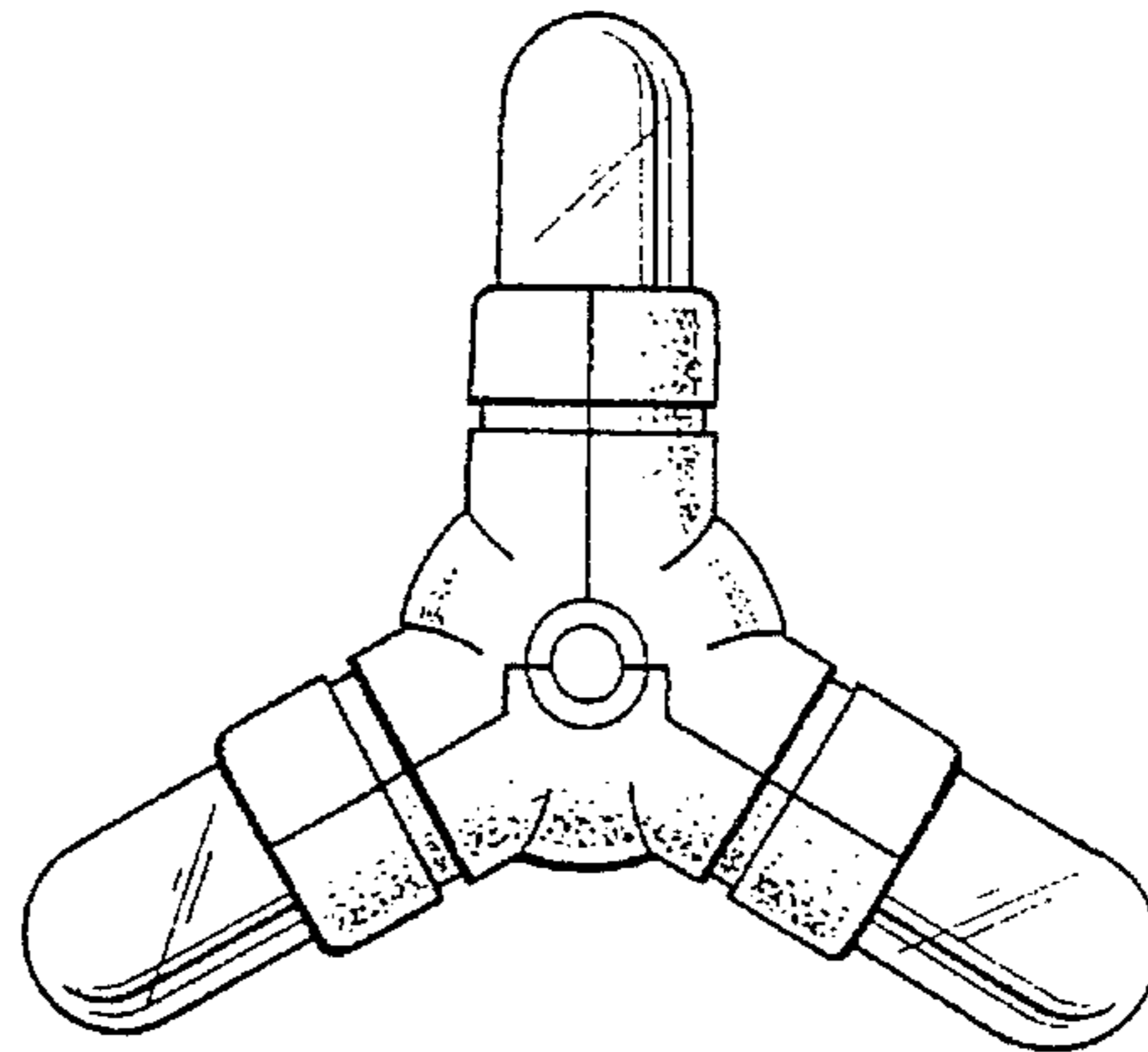


FIG. 6

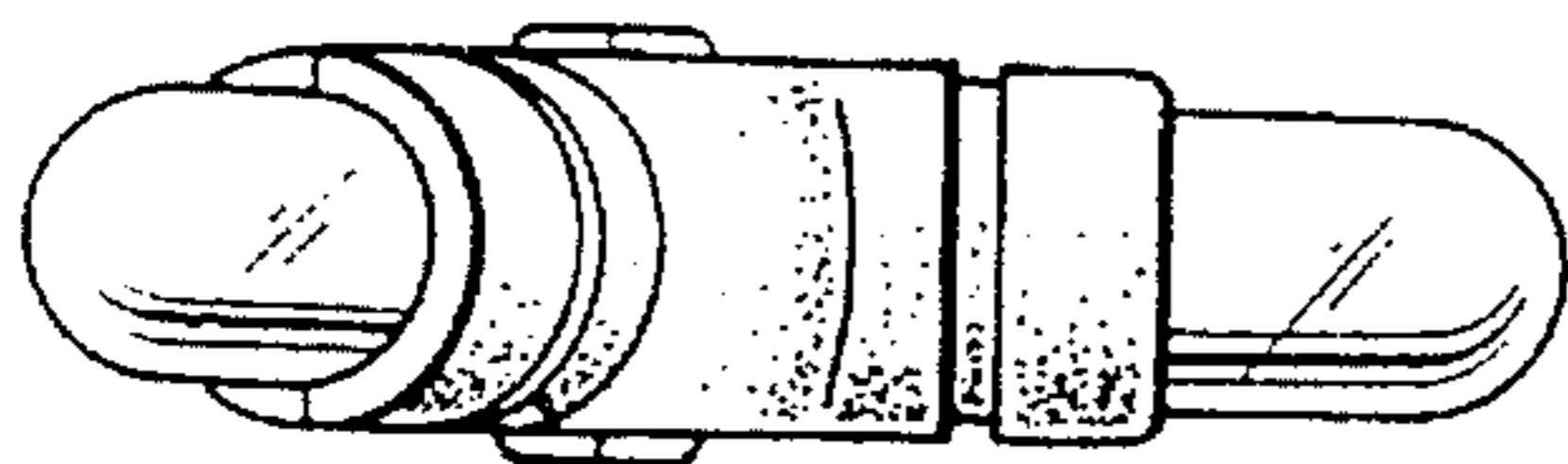


FIG. 7

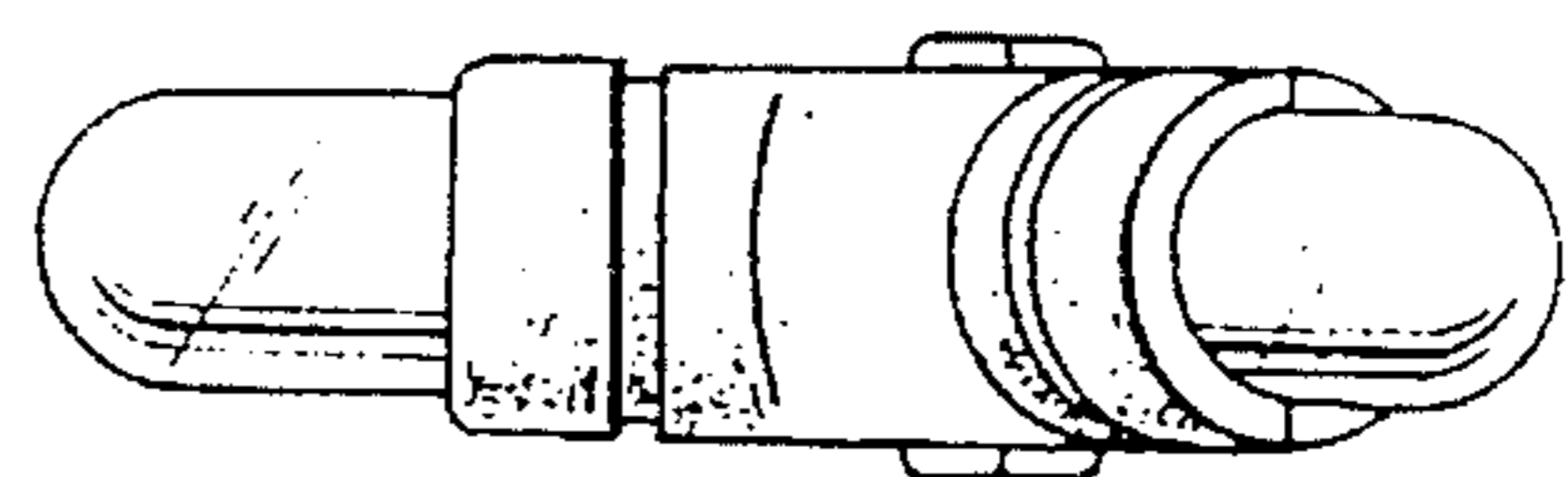


FIG. 8

