



US00D363558S

# United States Patent [19] McCoy

[11] Patent Number: **Des. 363,558**

[45] Date of Patent: **\*\*Oct. 24, 1995**

[54] **PIER BLOCK**

### FOREIGN PATENT DOCUMENTS

[75] Inventor: **John R. McCoy**, Ashburn, Canada  
[73] Assignee: **Brooklin Concrete Products Limited**,  
Brooklin, Canada  
[\*\*] Term: **14 Years**

50411	10/1982	Canada .
51904	10/1983	Canada .
61629	9/1988	Canada .
64468	10/1989	Canada .
66941	9/1990	Canada .
1297260	3/1992	Canada .
71265	8/1992	Canada .
1308930	10/1992	Canada .
946337	5/1949	France .
2917148	6/1980	Germany .
3014523	10/1981	Germany .

[21] Appl. No.: **23,203**

[22] Filed: **May 19, 1994**

### [30] Foreign Application Priority Data

Nov. 19, 1993 [CA] Canada ..... 19-11-93-3

[52] U.S. Cl. .... **D25/113**

[58] Field of Search ..... D25/113, 133,  
D25/199; 52/596, 605, 608, 292

*Primary Examiner*—Doris Clark  
*Attorney, Agent, or Firm*—Finnegan, Henderson, Farabow,  
Garrett & Dunner

### [57] CLAIM

The ornamental design for a pier block, as shown and described.

### [56] References Cited

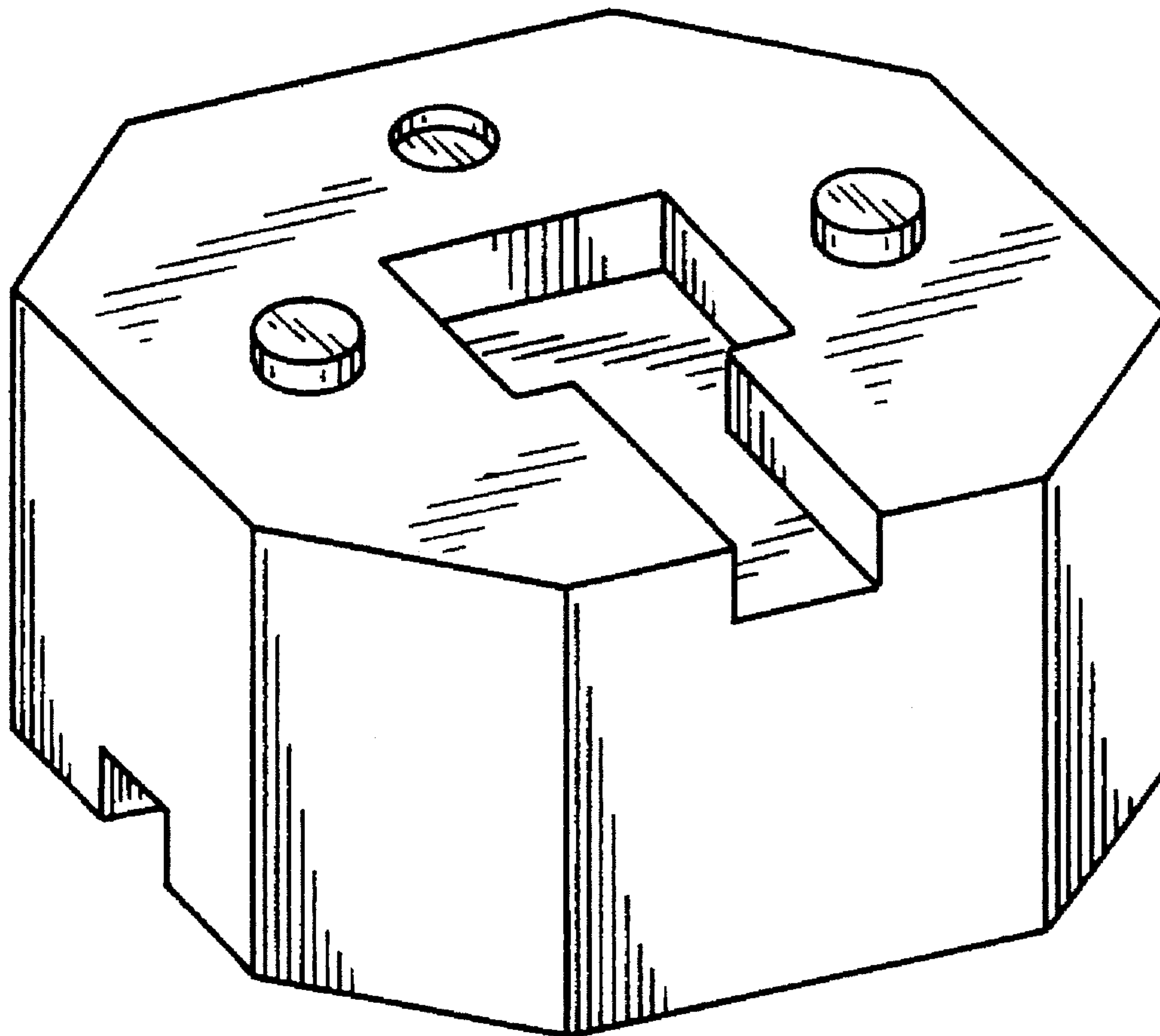
#### U.S. PATENT DOCUMENTS

364,427	6/1887	McCallip .	
2,129,211	9/1938	Hickl .	
2,446,949	8/1948	Deutra .....	52/292
3,026,076	3/1962	Bender .....	D25/113
3,505,764	4/1970	Gutierrez .	
4,328,651	5/1982	Gutierrez .	
4,404,780	9/1983	Josephson .....	52/292
5,152,108	10/1992	Madl, Jr. ....	52/292

### DESCRIPTION

FIG. 1 is a perspective view of a pier block embodying my design; and,  
FIG. 2 is a perspective view of a pier block embodying my design from the opposite side as FIG. 1.

1 Claim, 1 Drawing Sheet



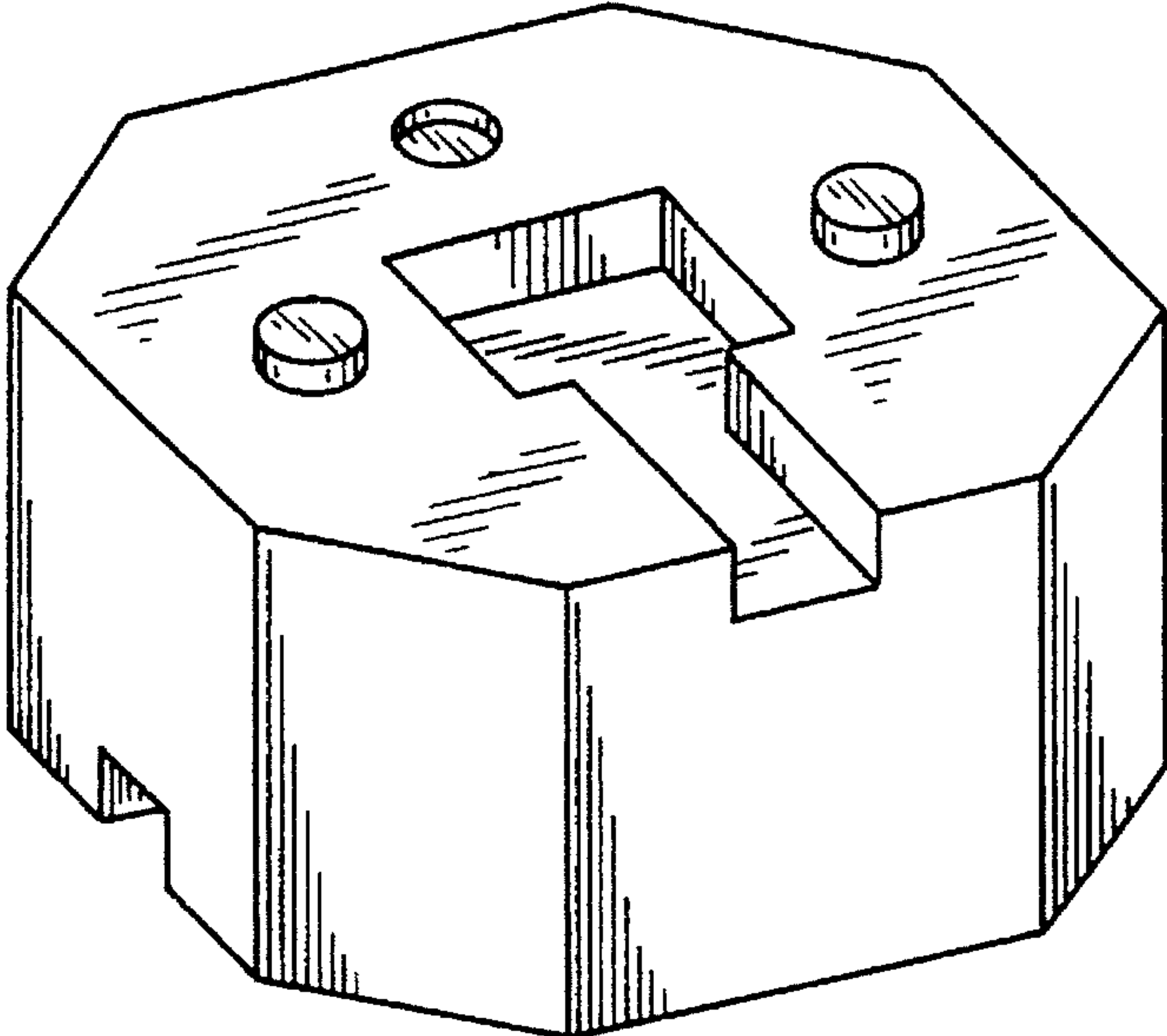


FIG. 1

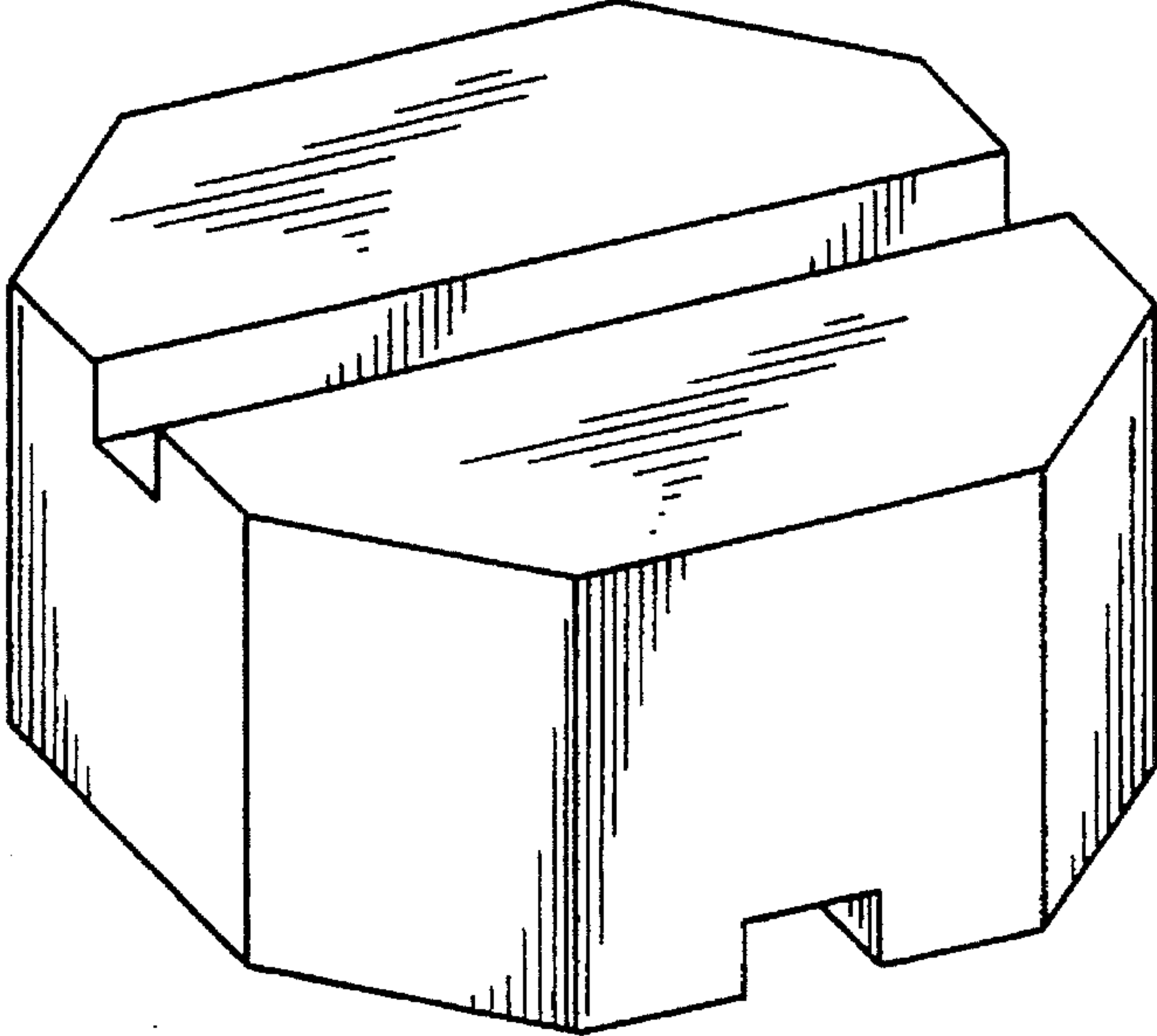


FIG. 2