



US00D363557S

United States Patent [19]

[11] Patent Number: **Des. 363,557**

Lindgren et al.

[45] Date of Patent: ****Oct. 24, 1995**

[54] **WINDOW**

[75] Inventors: **Claes Lindgren**, Farum; **Jens T. P. Kristensen**, Gedved, both of Denmark

[73] Assignee: **V. Kann Rasmussen Industri A/S**, Søborg, Denmark

[**] Term: **14 Years**

[21] Appl. No.: **19,253**

[22] Filed: **Feb. 25, 1994**

[52] U.S. Cl. **D25/52**

[58] Field of Search **D25/52; 52/204.5, 52/204.57, 200**

[56] **References Cited**

U.S. PATENT DOCUMENTS

D. 273,518	4/1984	Moore, Jr.	D25/52
4,627,206	12/1986	Cox	52/204.5
4,986,039	1/1991	Weisner	52/200
5,207,036	5/1993	Sampson et al.	52/200

OTHER PUBLICATIONS

Brochure entitled "Add light, air, and drama with the Pella Skylight" dated 1985.

Primary Examiner—Doris Clark

Attorney, Agent, or Firm—Lane, Aitken & McCann

[57] **CLAIM**

The ornamental design for a window, as shown.

DESCRIPTION

FIG. 1 is a perspective view of a window showing our new design;
 FIG. 2 is a front elevational view of the window shown in FIG. 1;
 FIG. 3 is a rear elevational view of the window shown in FIG. 1;
 FIG. 4 is left side elevational view of the window as shown in FIG. 2;
 FIG. 5 is top plan view of the window shown in FIG. 1;
 FIG. 6 is a bottom plan view of the window shown in FIG. 1;
 FIG. 7 is a perspective view of a second embodiment of a window showing our new design;
 FIG. 8 is a front elevational view of the window shown in FIG. 7;
 FIG. 9 is a rear elevational view of the window shown in FIG. 7;
 FIG. 10 is a left side elevational view of the window as shown in FIG. 8;
 FIG. 11 is a top plan view of the window shown in FIG. 7;
 and,
 FIG. 12 is a bottom plan view of the window shown in FIG. 7.

1 Claim, 6 Drawing Sheets

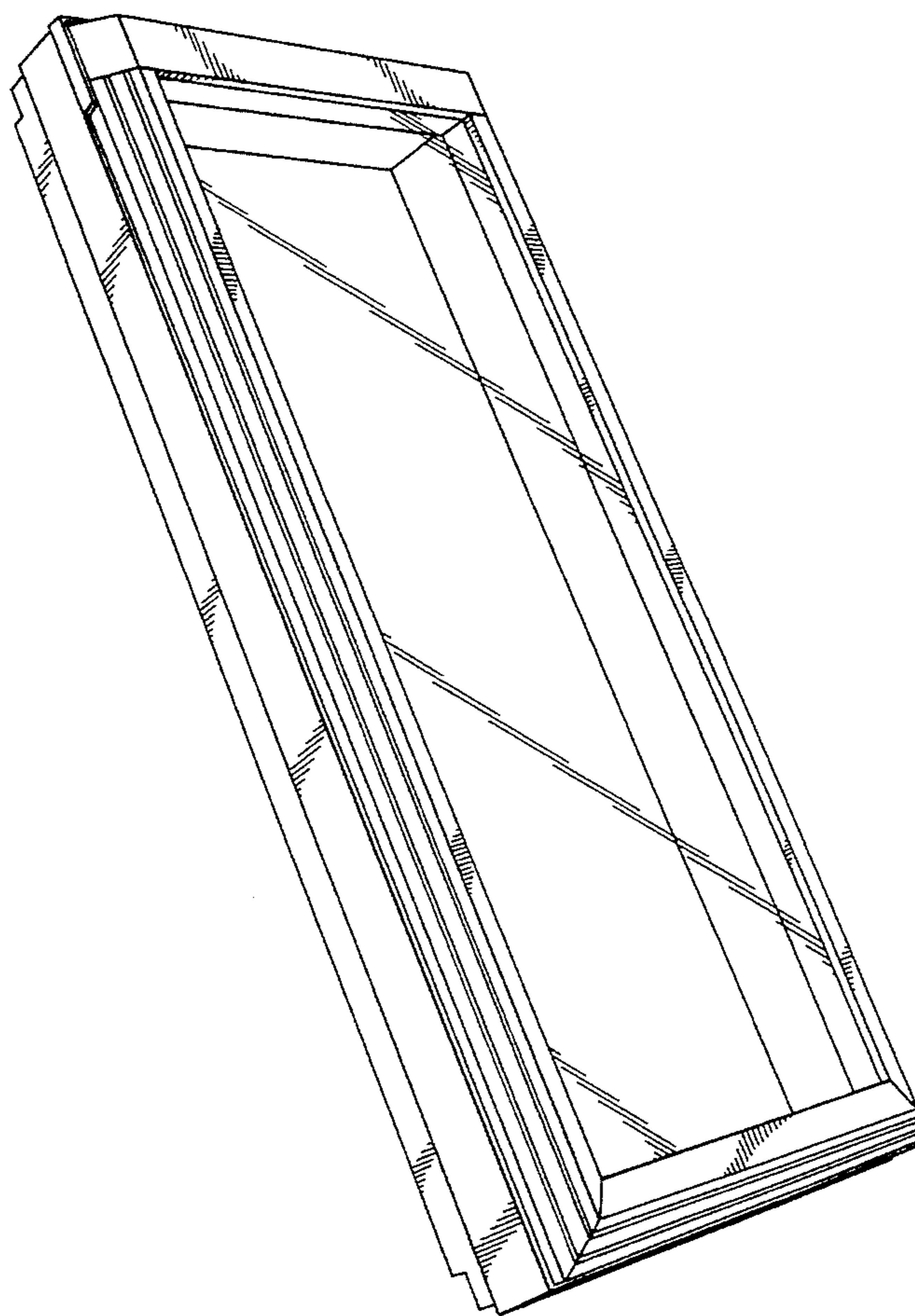


FIG. 1

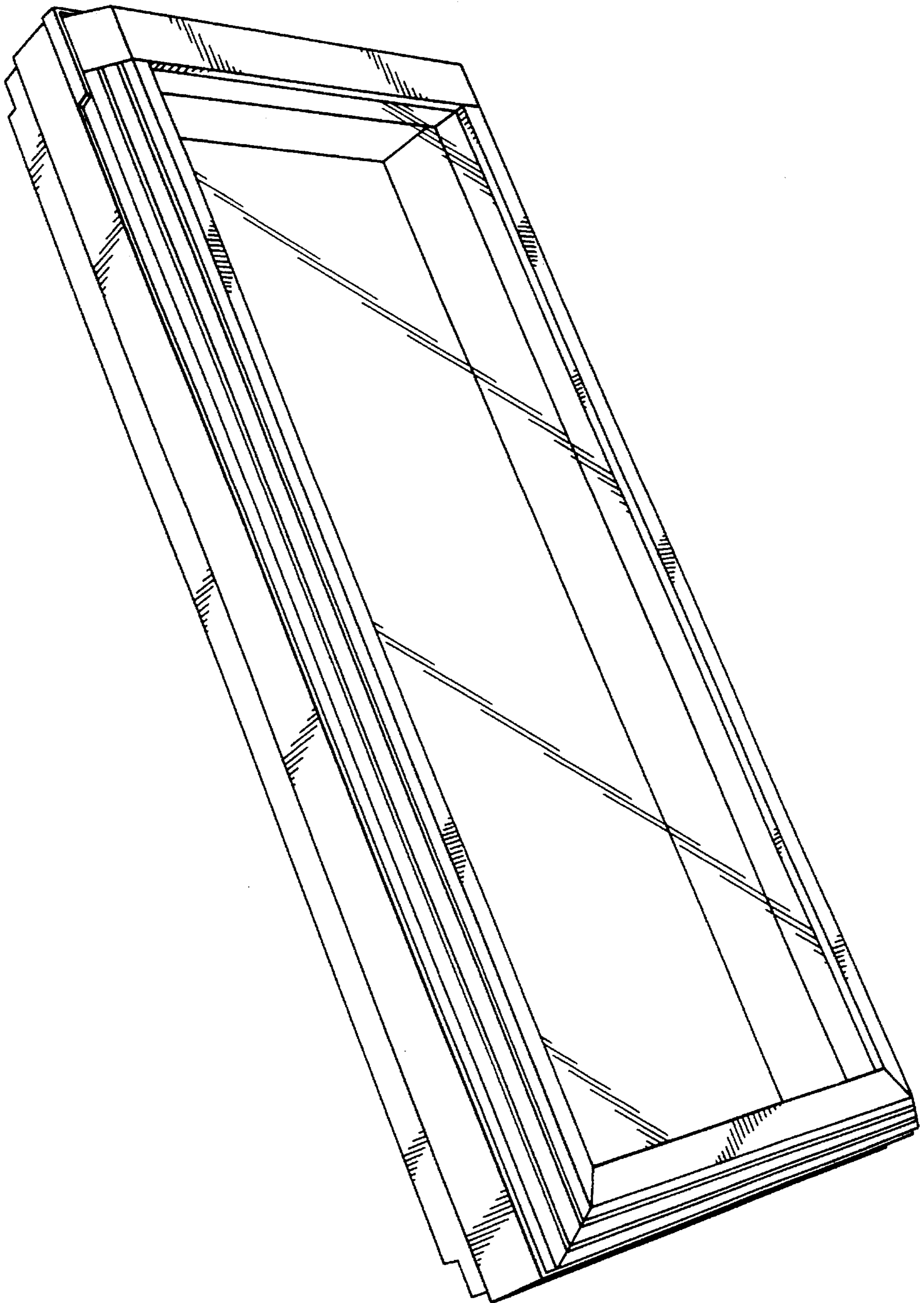


FIG. 2

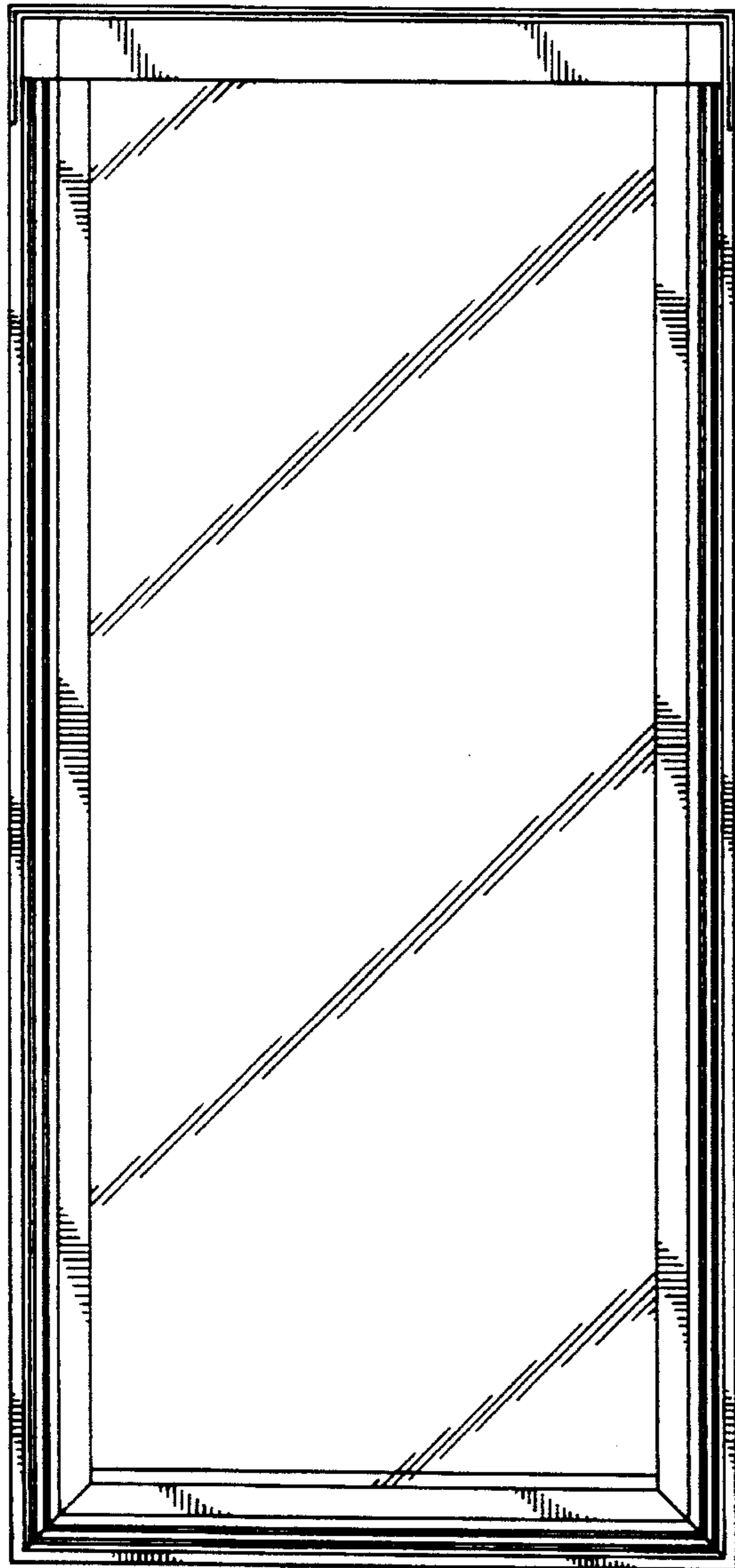


FIG. 3

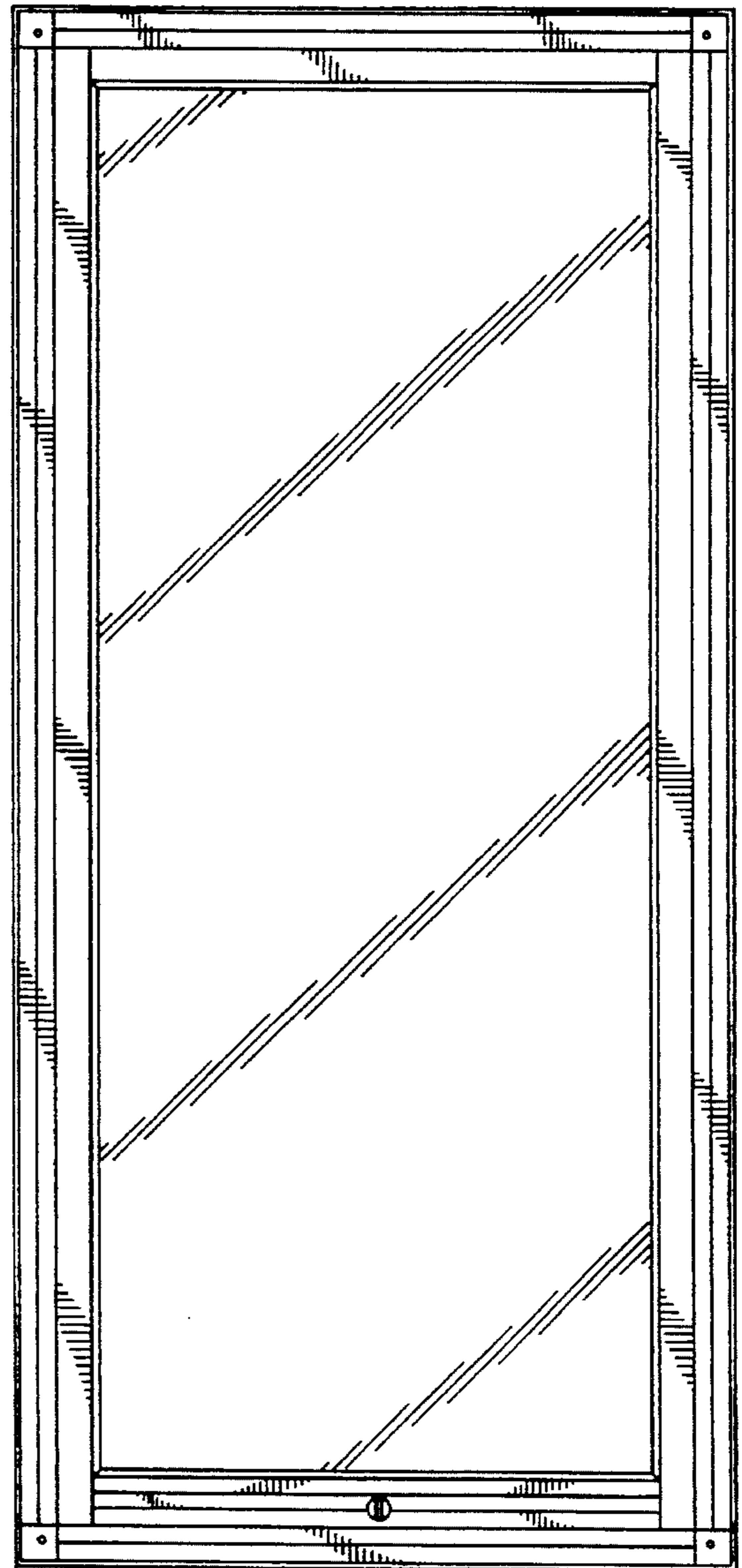


FIG. 4

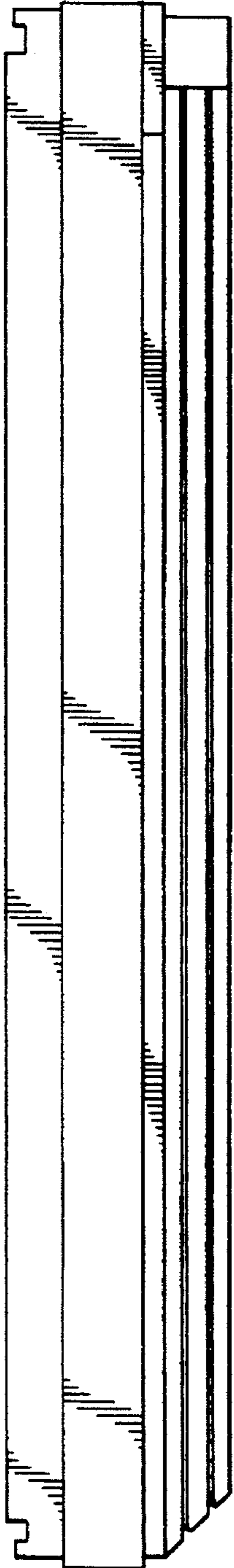


FIG. 5

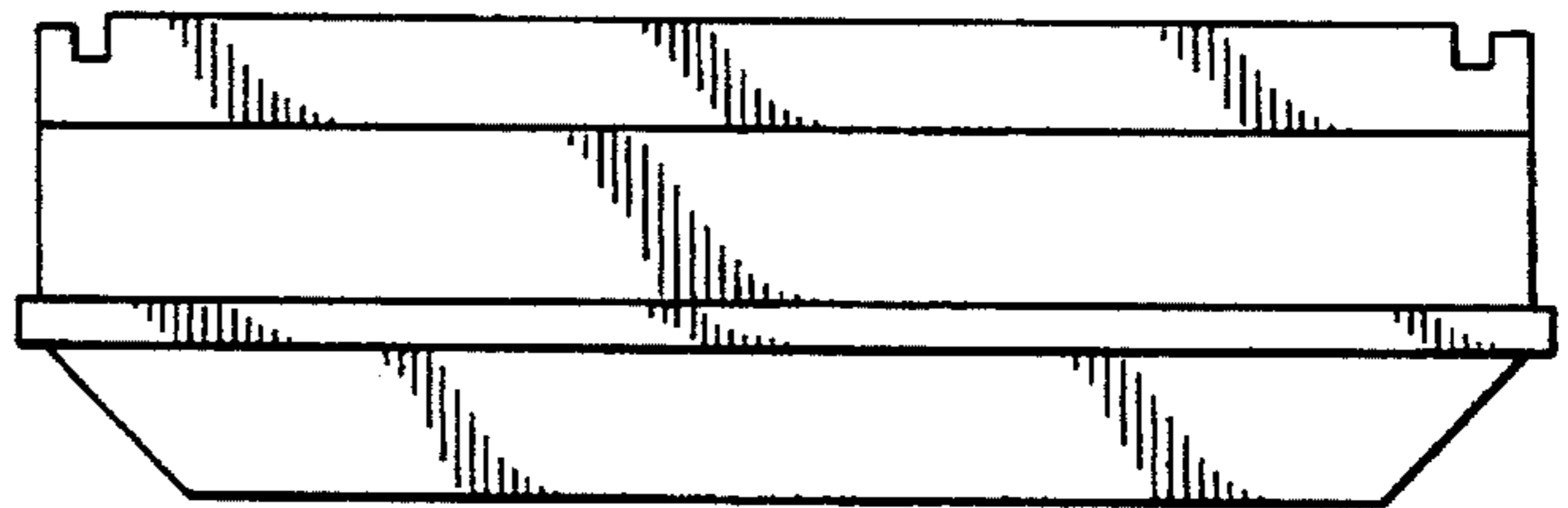


FIG. 6

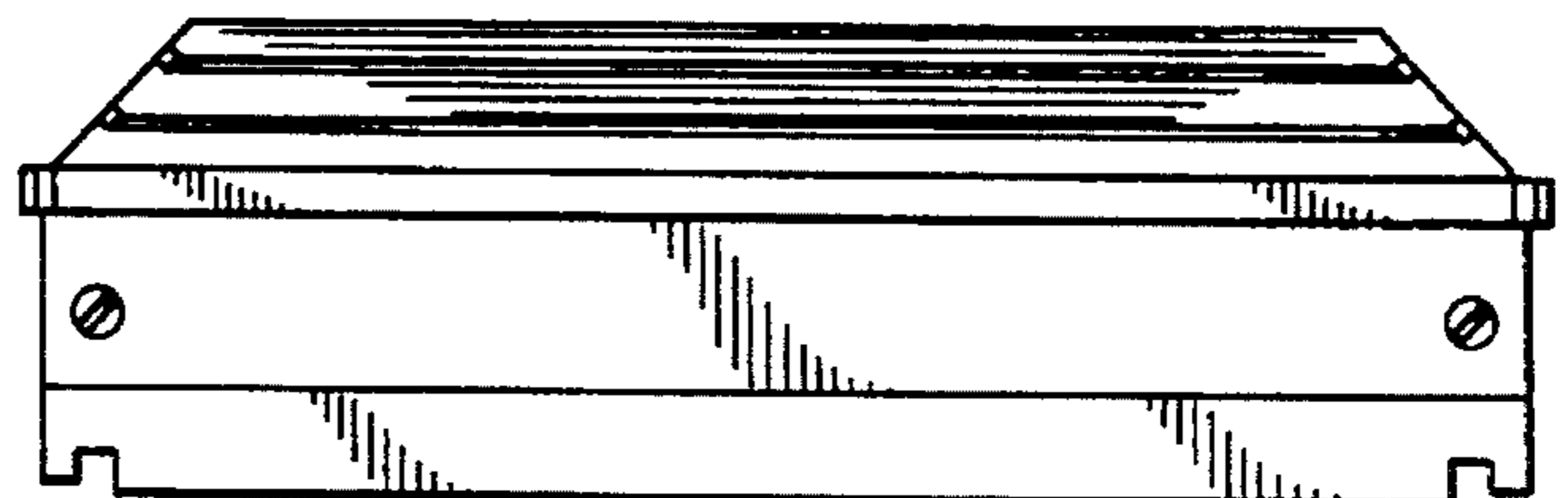


FIG. 7

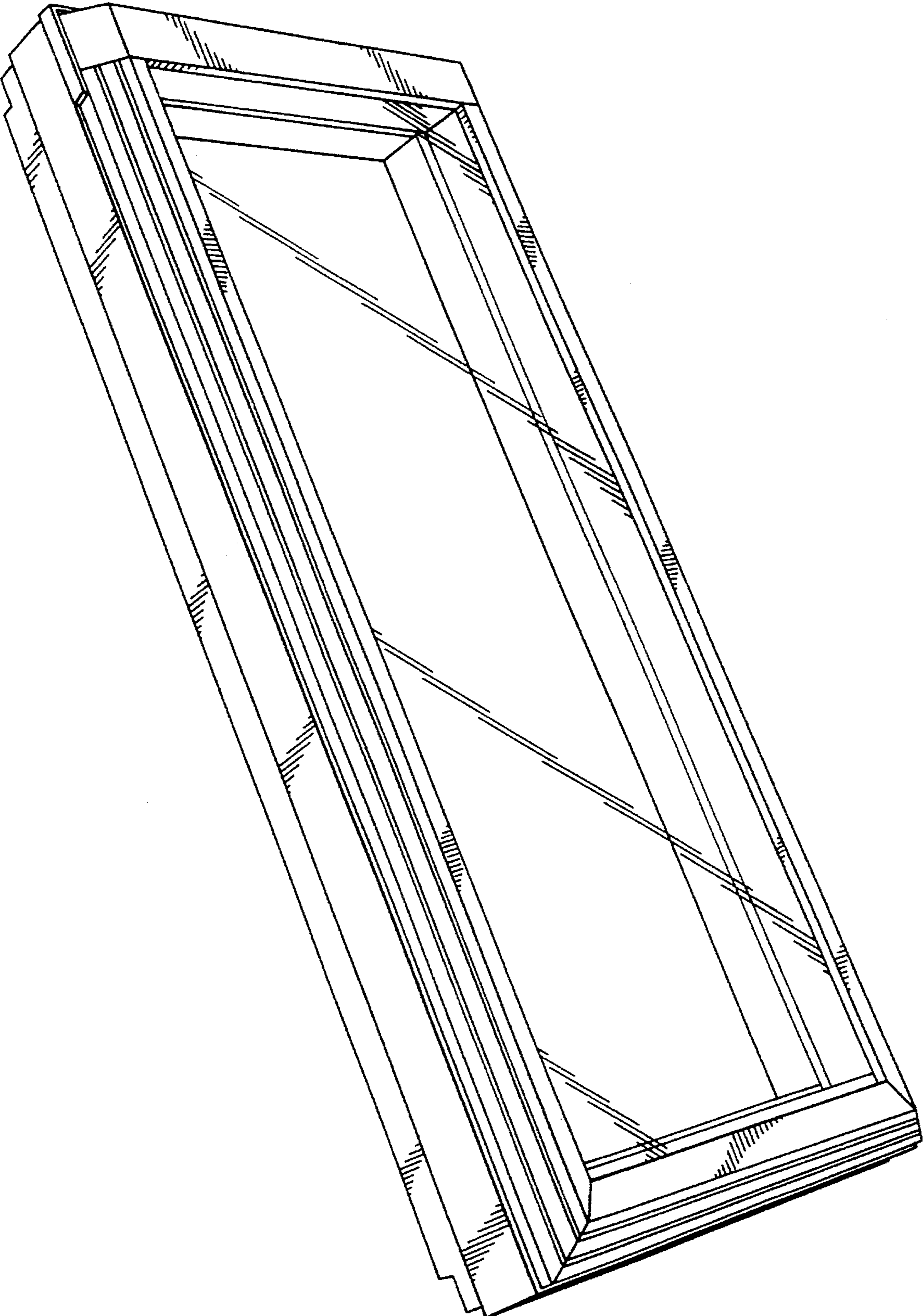


FIG. 8

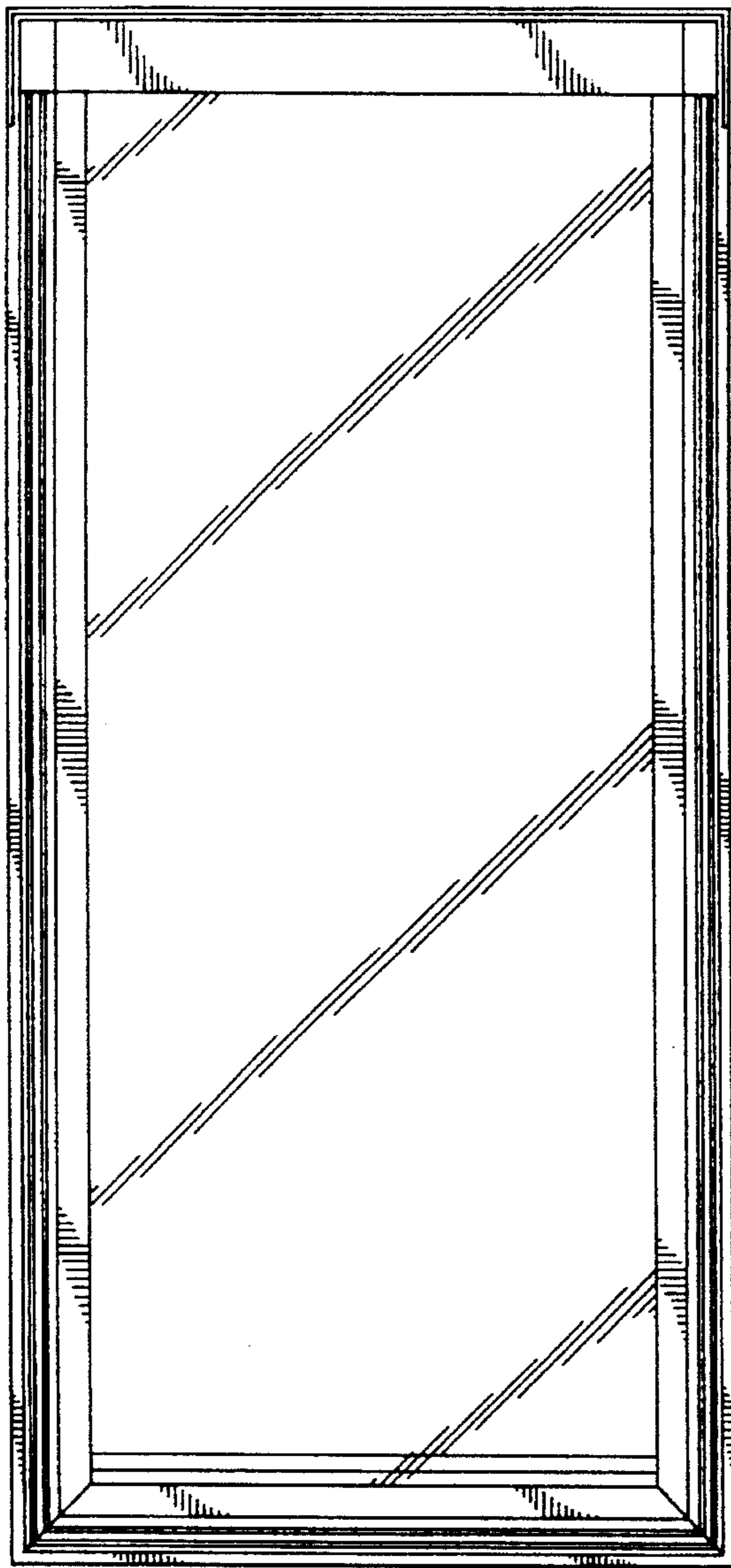


FIG. 9

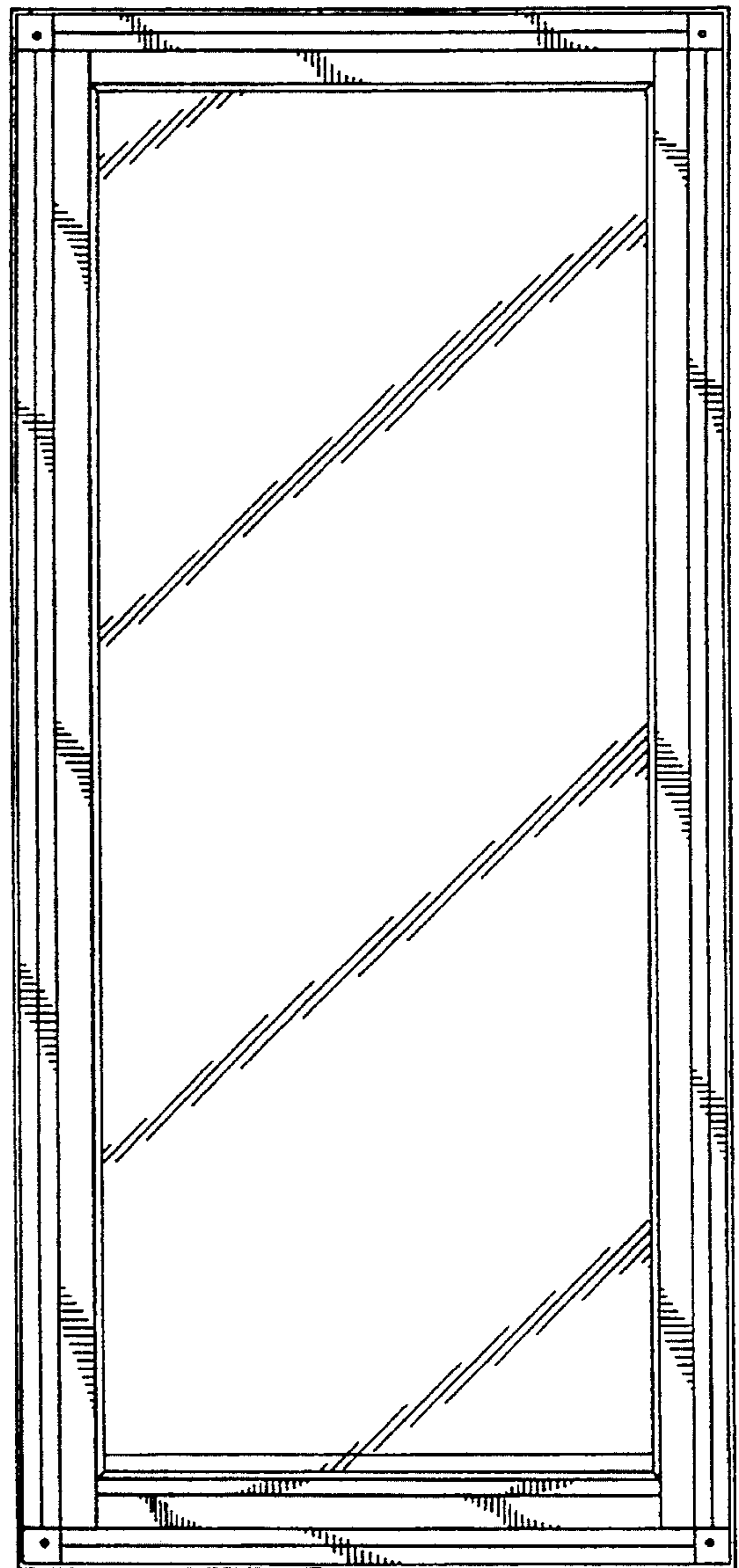


FIG. 10



FIG. 11

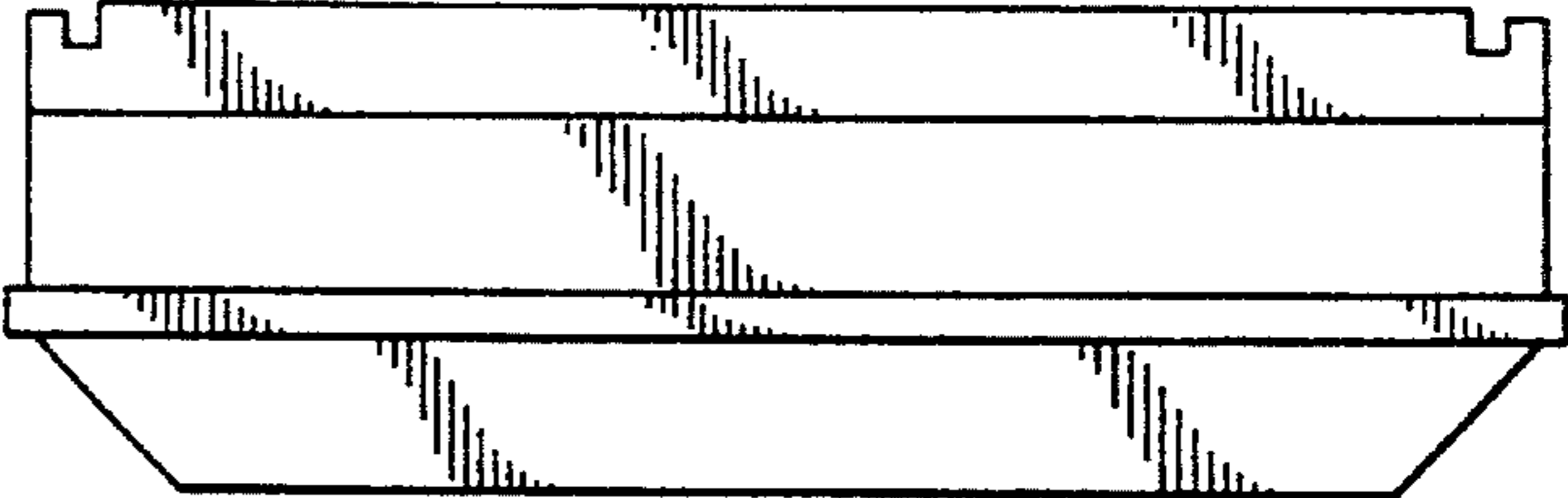


FIG. 12

