



US00D363555S

# United States Patent [19] Lie

[11] Patent Number: **Des. 363,555**

[45] Date of Patent: **\*\*Oct. 24, 1995**

[54] **FOOT MASSAGER**

D. 330,426 10/1992 Elkerbout ..... D24/213  
D. 339,638 9/1993 Bucher ..... D24/213 X

[75] Inventor: **Sen-Nen Lie**, Kowloon, Hong Kong

*Primary Examiner*—Stella Reid

[73] Assignee: **Kolvin Industries Limited**, Kowloon, Hong Kong

*Attorney, Agent, or Firm*—Blakely, Sokoloff, Taylor & Zafman

[\*\*] Term: **14 Years**

### [57] CLAIM

[21] Appl. No.: **7,411**

The ornamental design for a foot massager, as shown and described.

[22] Filed: **Apr. 5, 1993**

### DESCRIPTION

### [30] Foreign Application Priority Data

Oct. 7, 1992 [GB] United Kingdom ..... 2026278

[52] U.S. Cl. .... **D24/213**

[58] Field of Search ..... D24/213, 215,  
D24/200; 601/23, 27, 28, 30

FIG. 1 is a top plan view thereof;

FIG. 2 is a side elevational view of the first side;

FIG. 3 is a side elevational view thereof, opposite that shown in FIG. 2;

FIG. 4 is a bottom plan view thereof;

FIG. 5 is a front elevational view thereof;

FIG. 6 is a rear elevational view thereof; and,

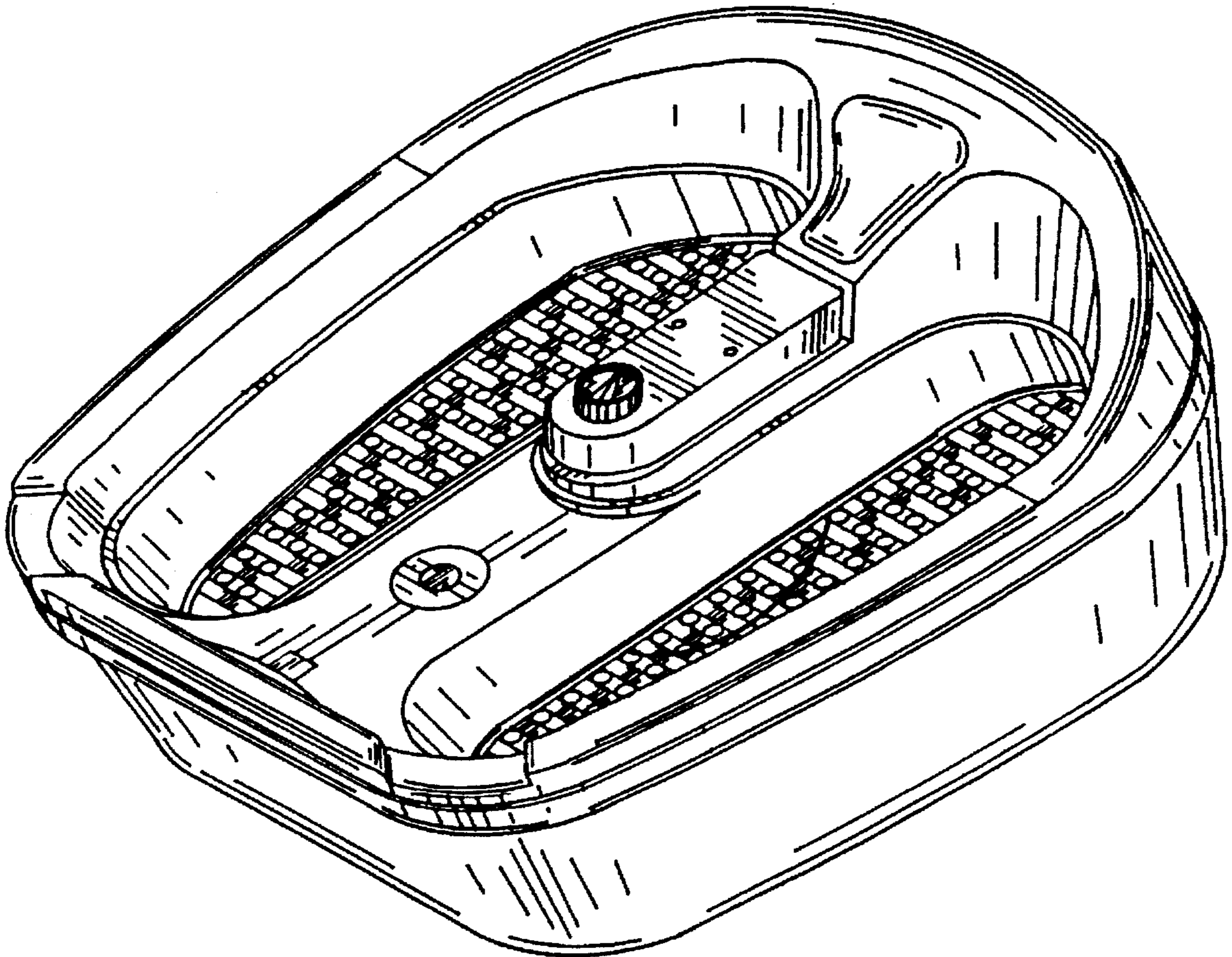
FIG. 7 is a top perspective view thereof.

### [56] References Cited

#### U.S. PATENT DOCUMENTS

D. 280,934 10/1985 MacGregor ..... D24/211 X

**1 Claim, 3 Drawing Sheets**



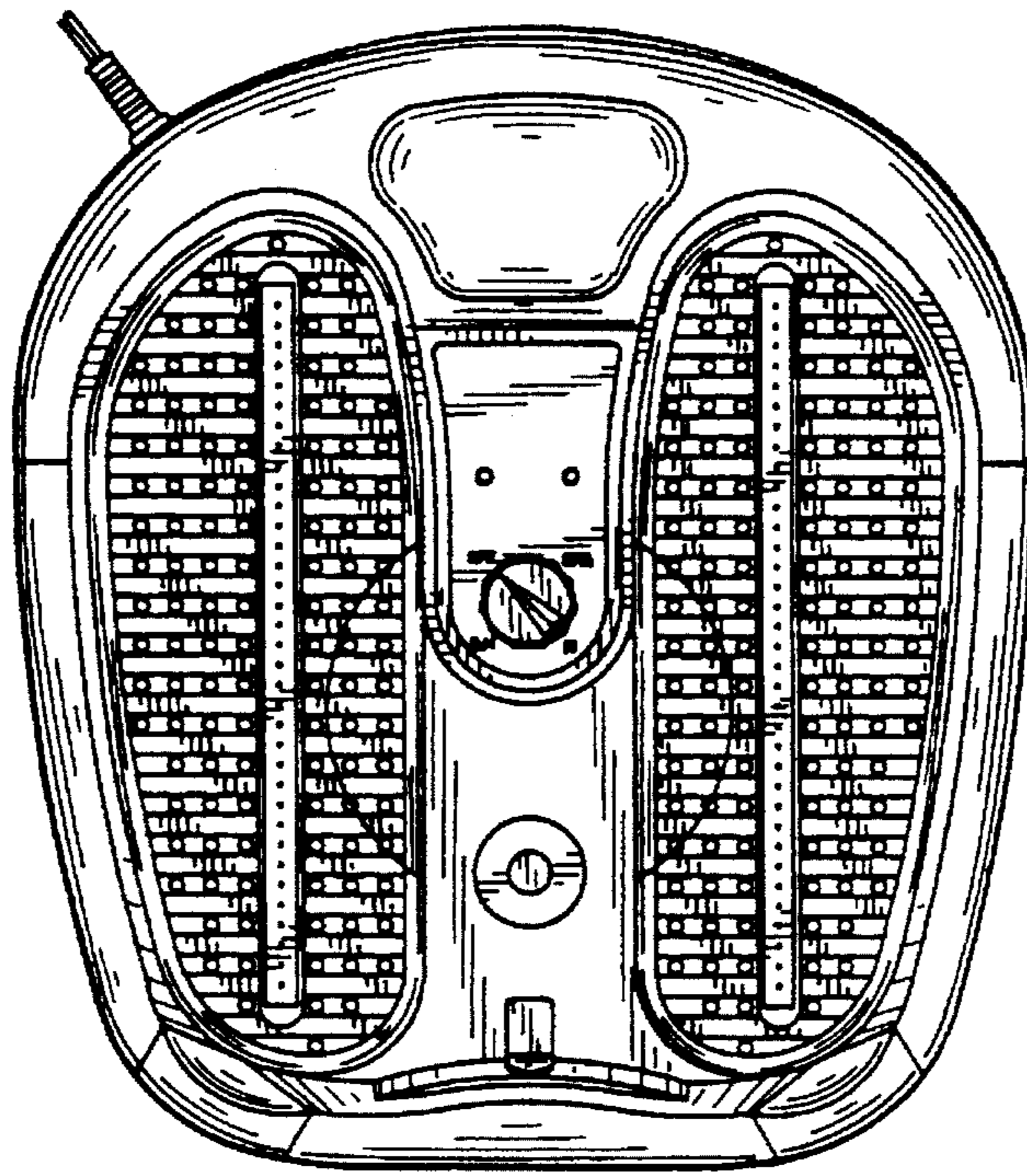


FIG. 1

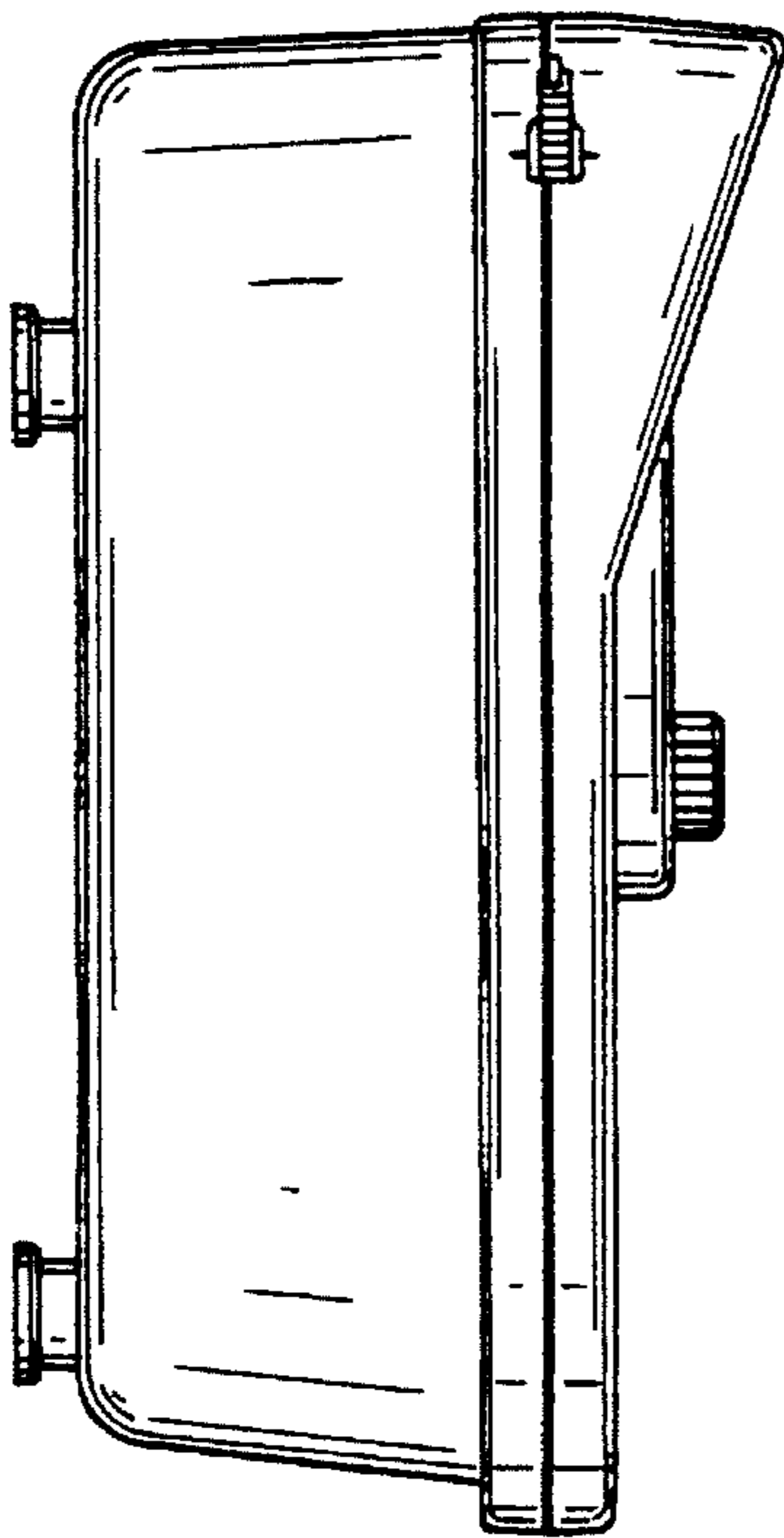


FIG. 2

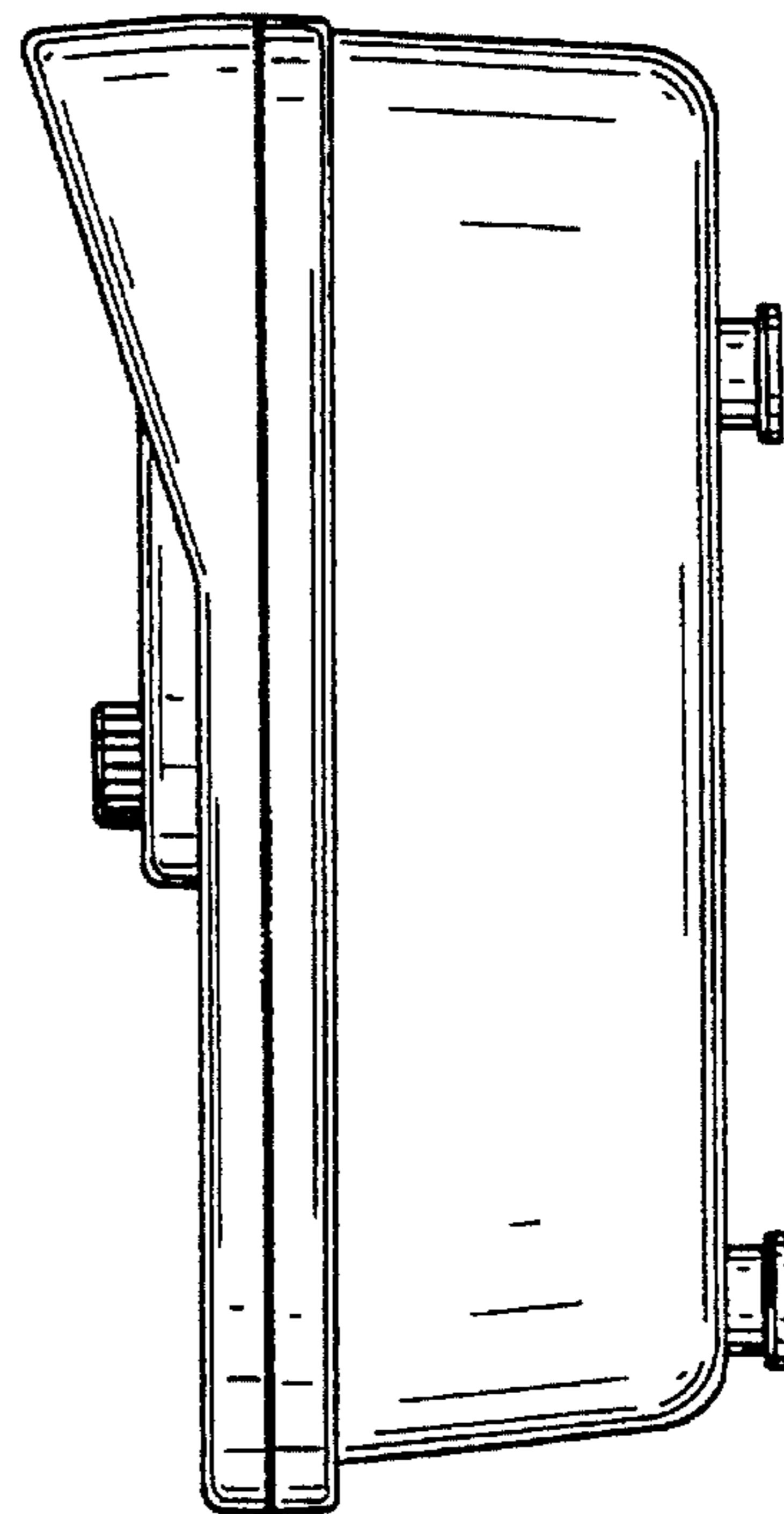


FIG. 3

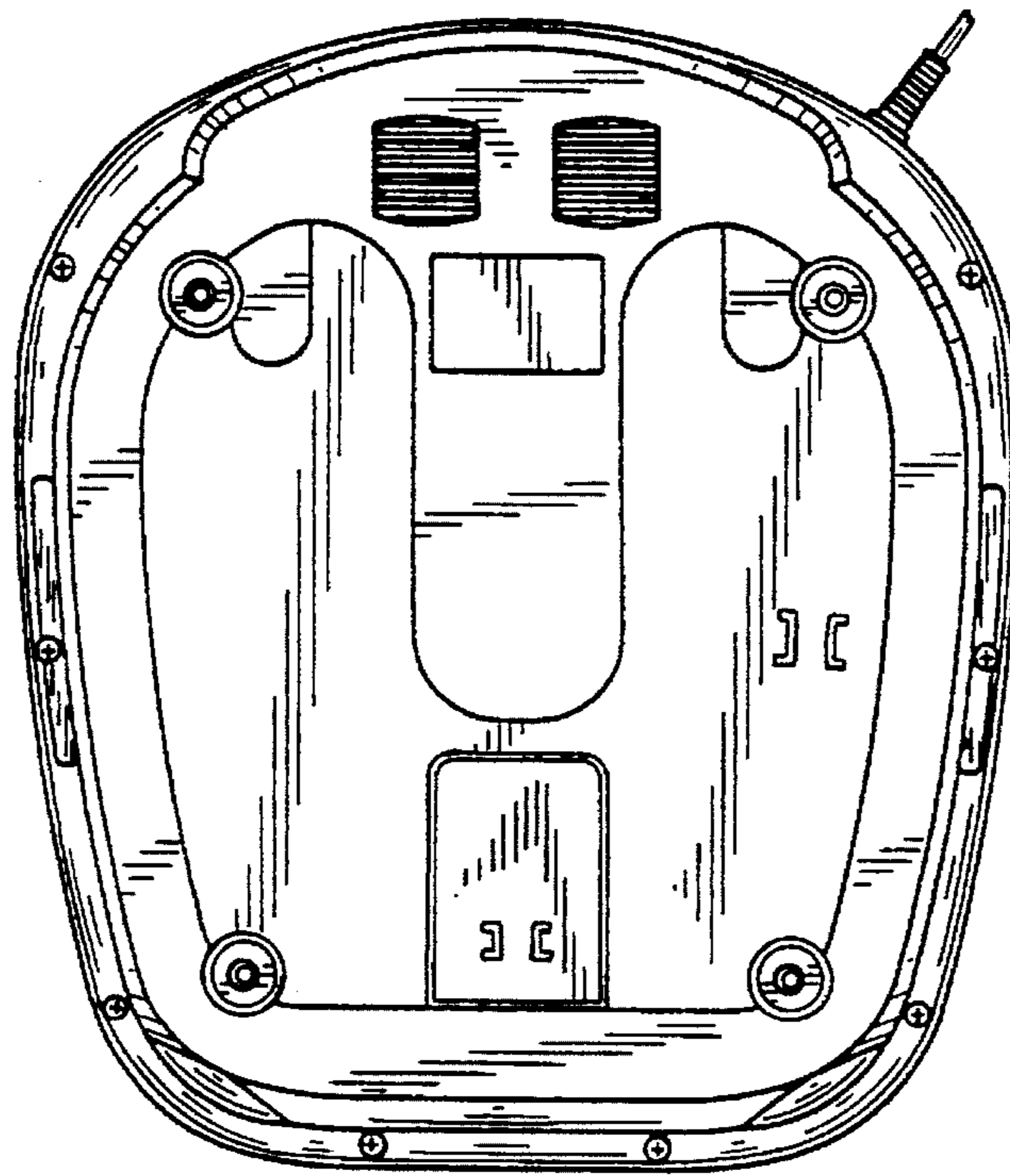


FIG. 4

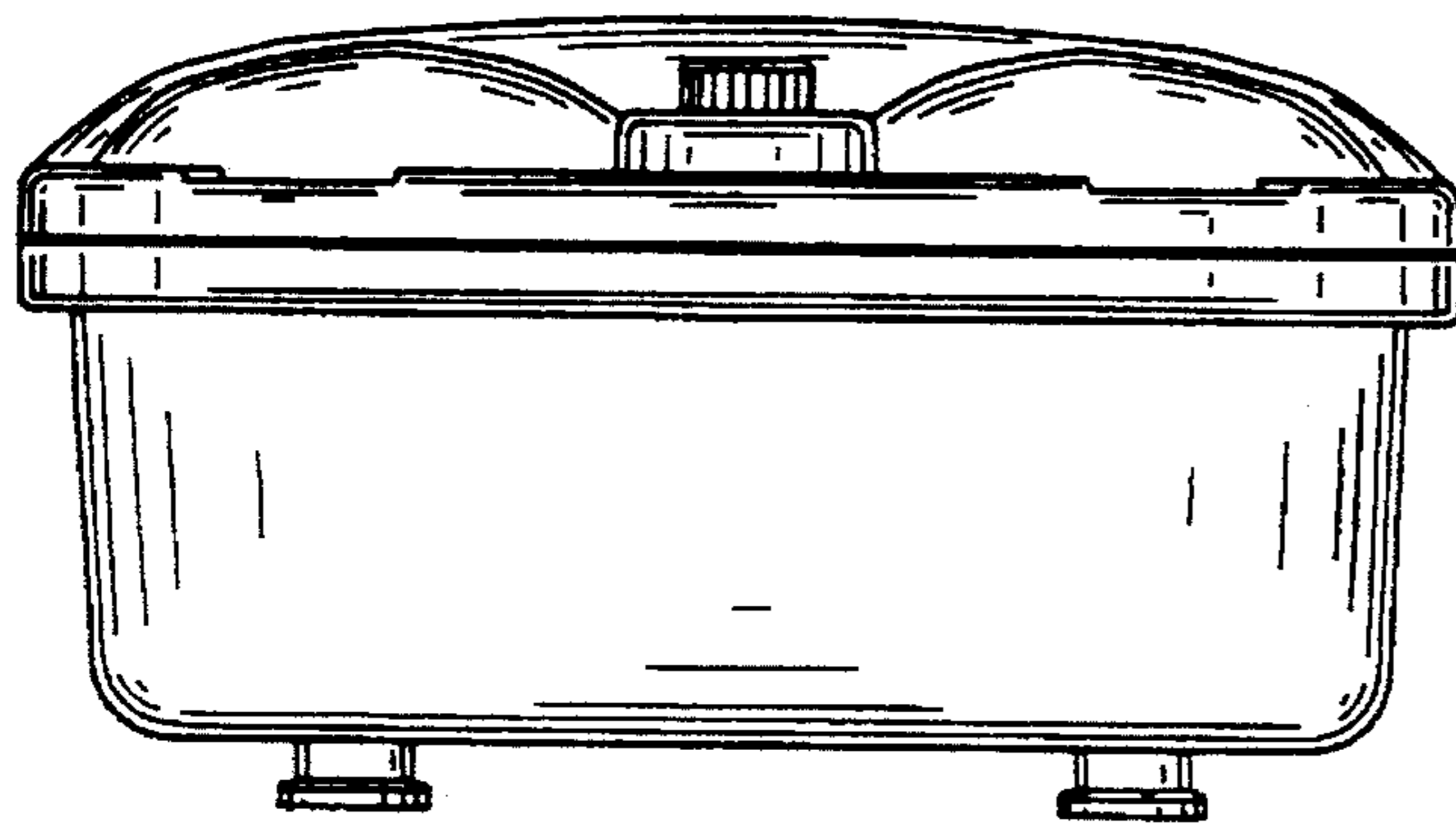


FIG. 5

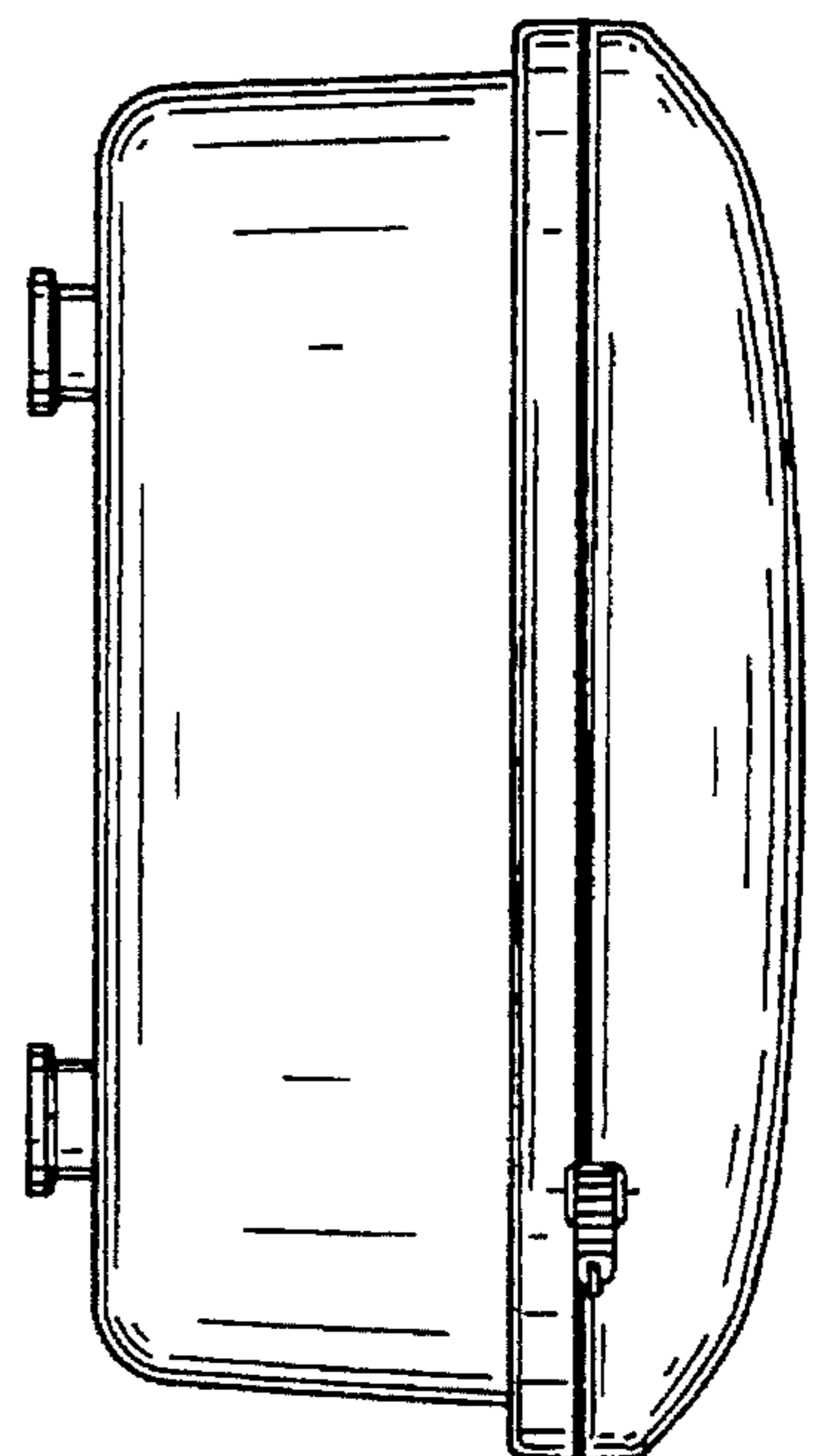


FIG. 6

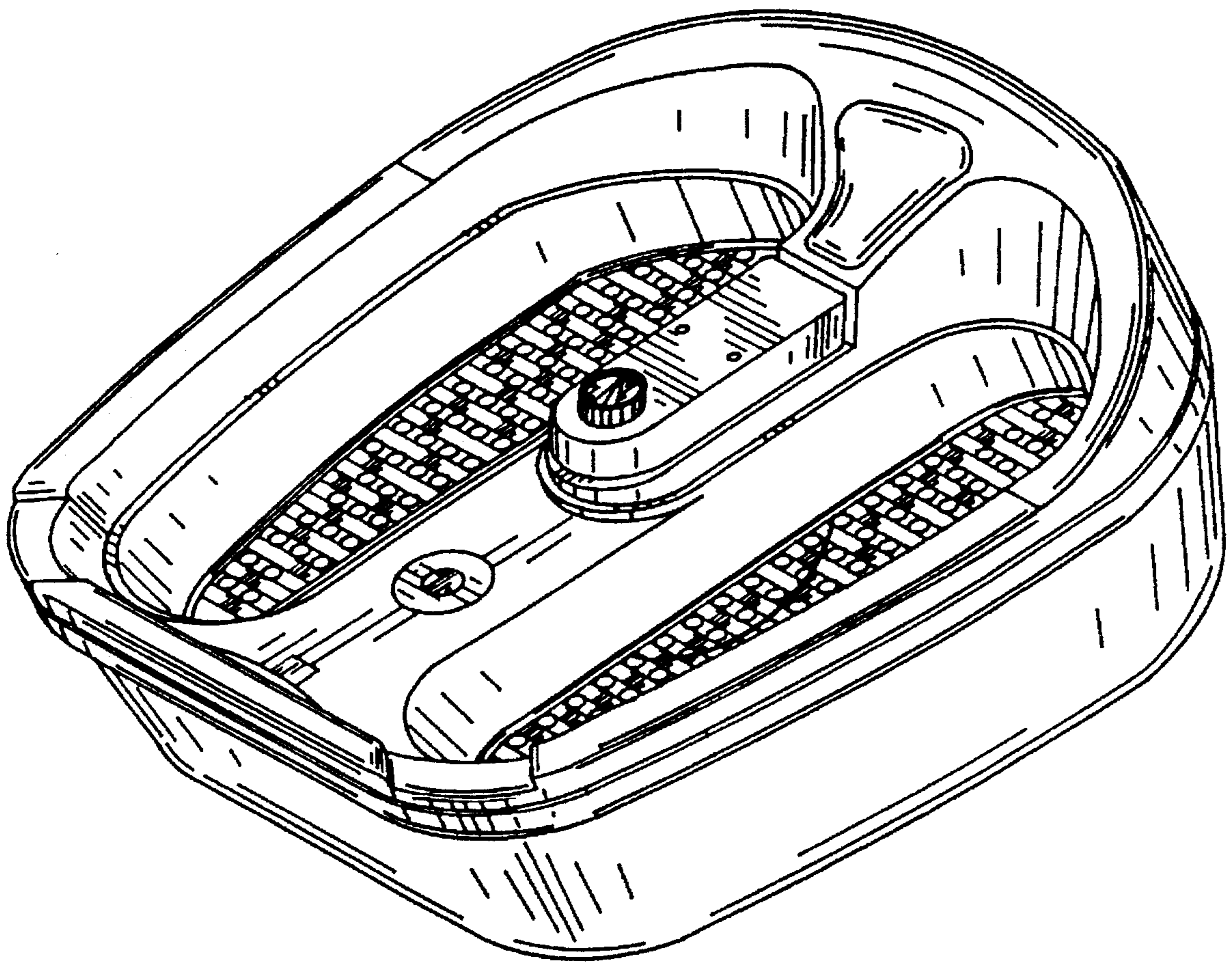


FIG. 7