



US00D363553S

**United States Patent** [19]  
**Lee**

[11] **Patent Number: Des. 363,553**

[45] **Date of Patent: \*\*Oct. 24, 1995**

[54] **PORTABLE ELECTRIC PULSE TYPE  
ACUPUNCTURE POINT STIMULATOR**

4,716,898 1/1988 Chauve et al. .... D24/200 X

*Primary Examiner—Stella Reid*

[76] Inventor: **Tien S. Lee**, 3F-1, No. 273, Chung Hua  
Syh Road, Kaohsiung, Taiwan

[57] **CLAIM**

[\*\*] Term: **14 Years**

The ornamental design for a portable electric pulse type  
acupuncture point stimulator, as shown.

[21] Appl. No.: **27,211**

**DESCRIPTION**

[22] Filed: **Aug. 16, 1994**

[52] U.S. Cl. .... **D24/200**

[58] Field of Search ..... D24/200; 607/72,  
607/59, 136; 128/735, 907

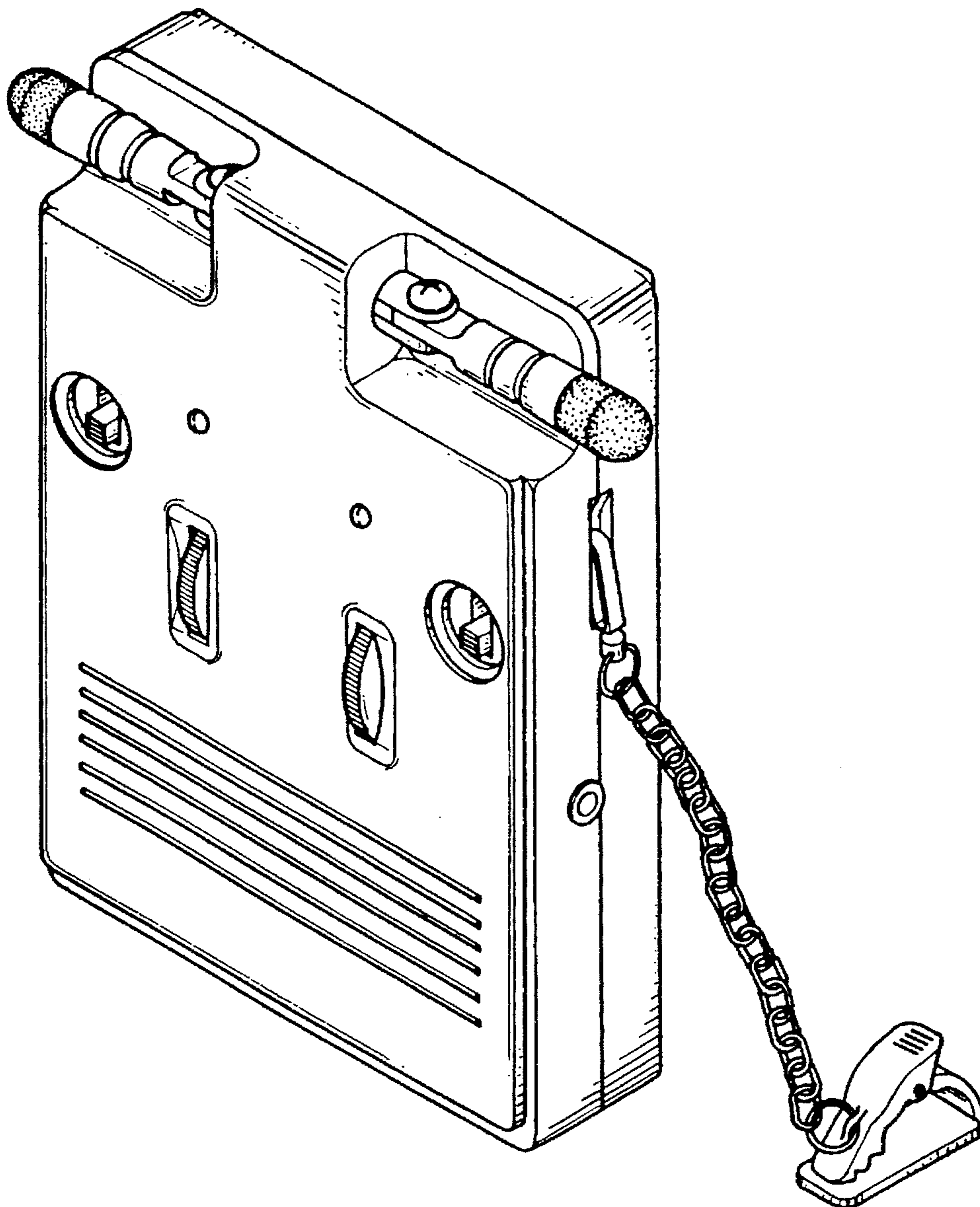
FIG. 1 is a perspective view of a portable electric pulse type  
acupuncture point stimulator showing my new design;  
FIG. 2 is a front elevational view of the design;  
FIG. 3 is a rear elevational view of the design;  
FIG. 4 is a left side elevational view of the design;  
FIG. 5 is a right side elevational view of the design;  
FIG. 6 is a top plan view of the design; and,  
FIG. 7 is a bottom plan view of the design.

[56] **References Cited**

**U.S. PATENT DOCUMENTS**

4,112,923 9/1978 Tomecek ..... 128/735  
4,408,617 10/1983 Auguste ..... 128/735

**1 Claim, 3 Drawing Sheets**



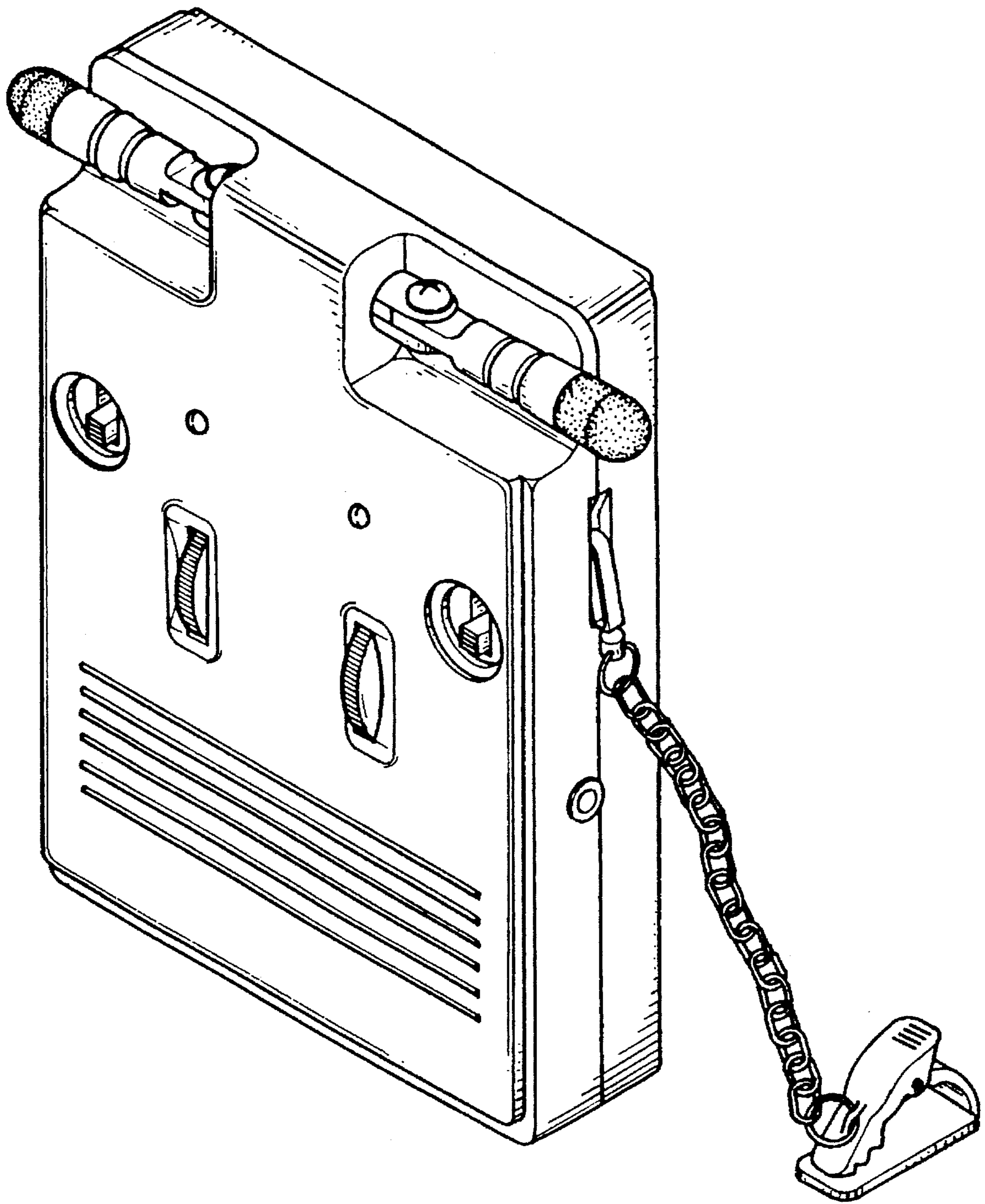


FIG. 1

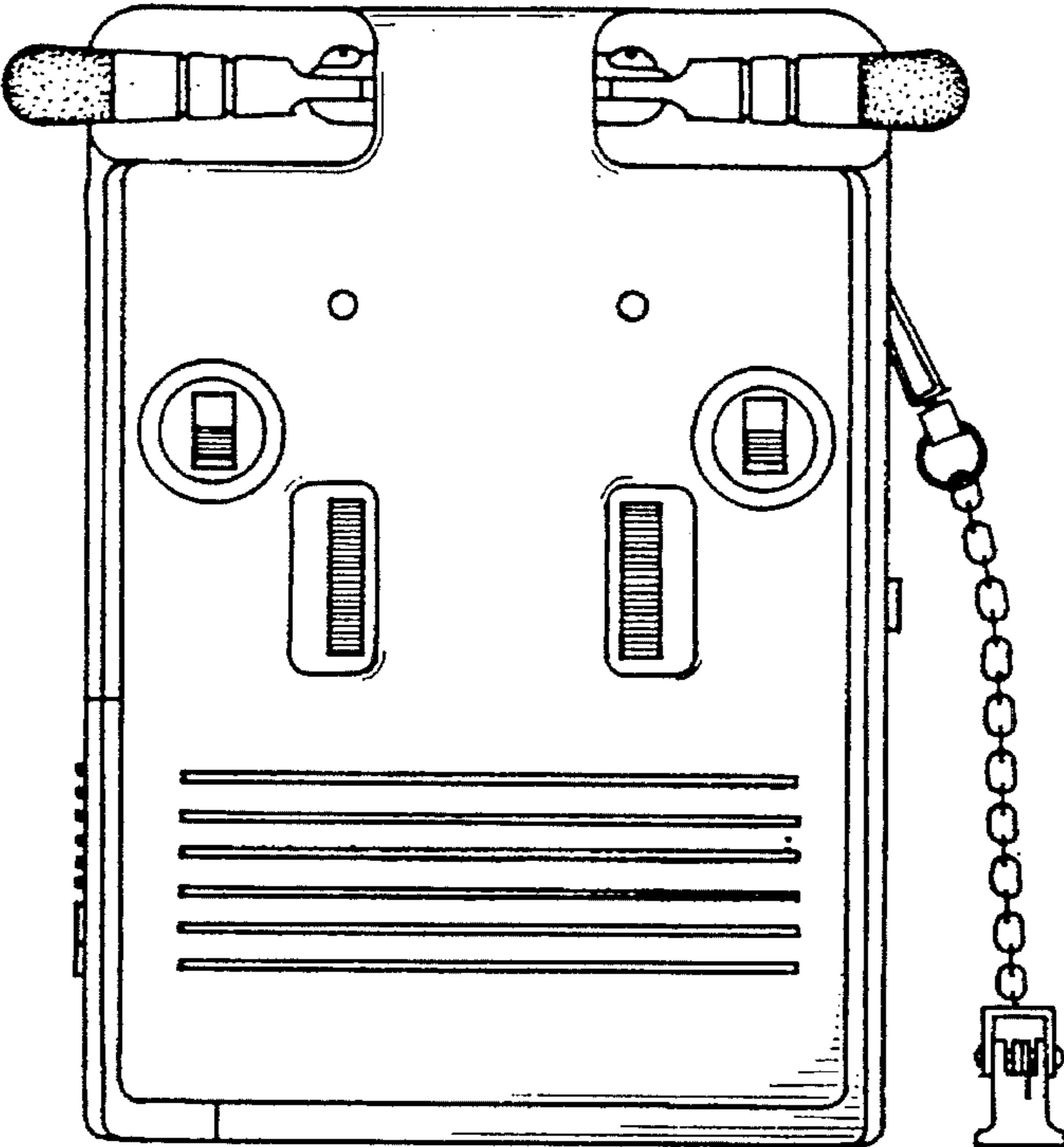


FIG. 2

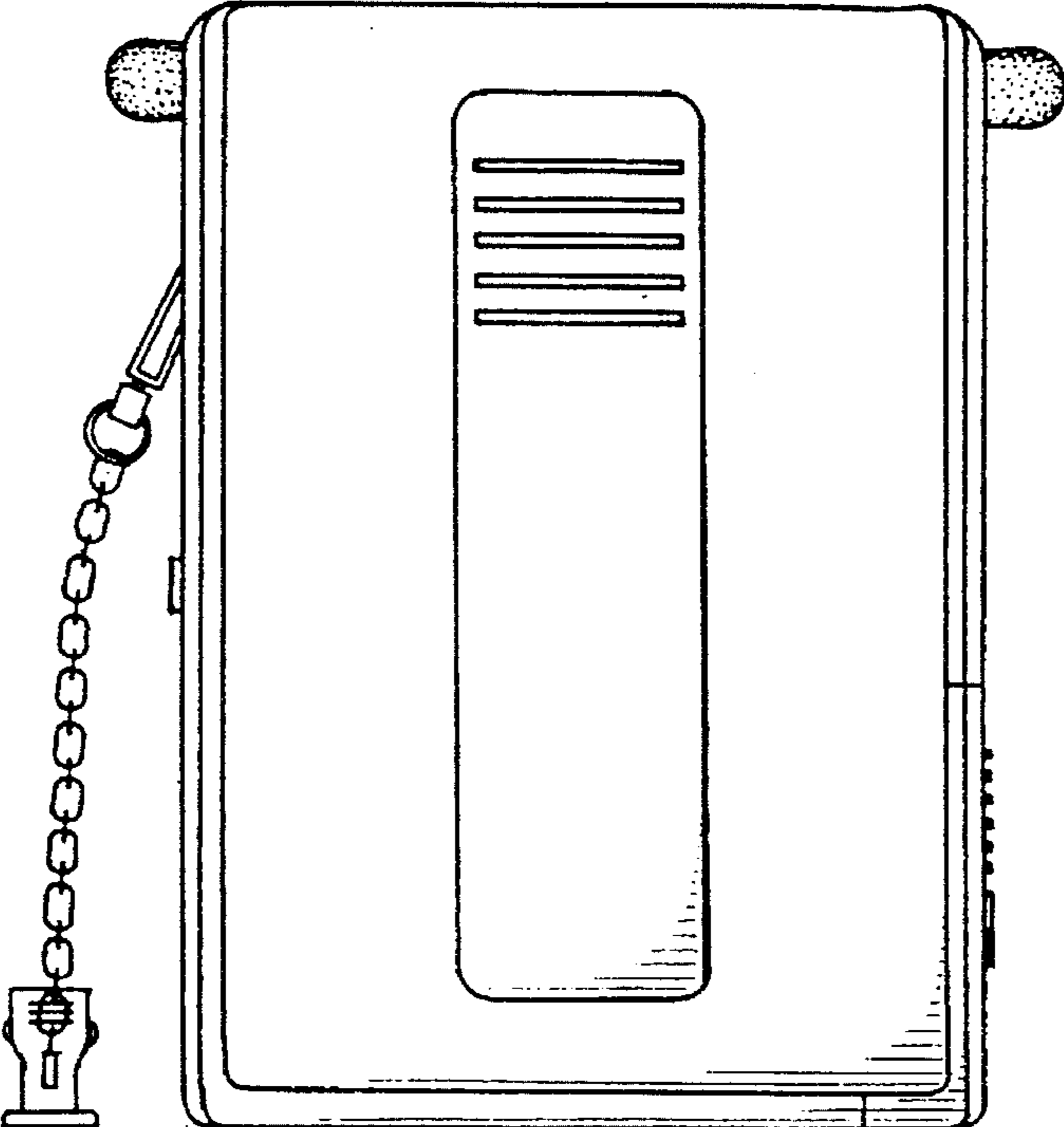


FIG. 3

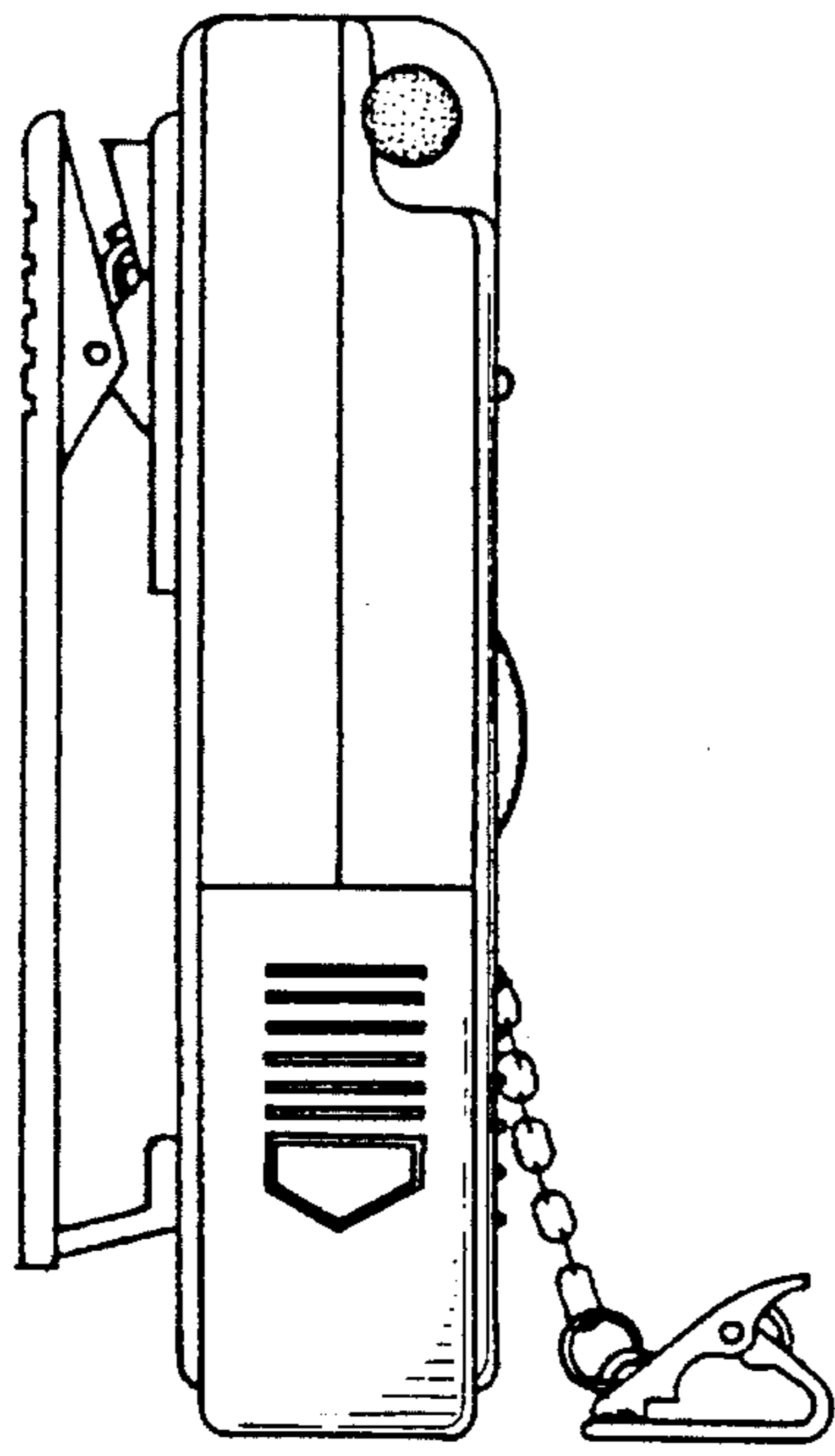


FIG. 4

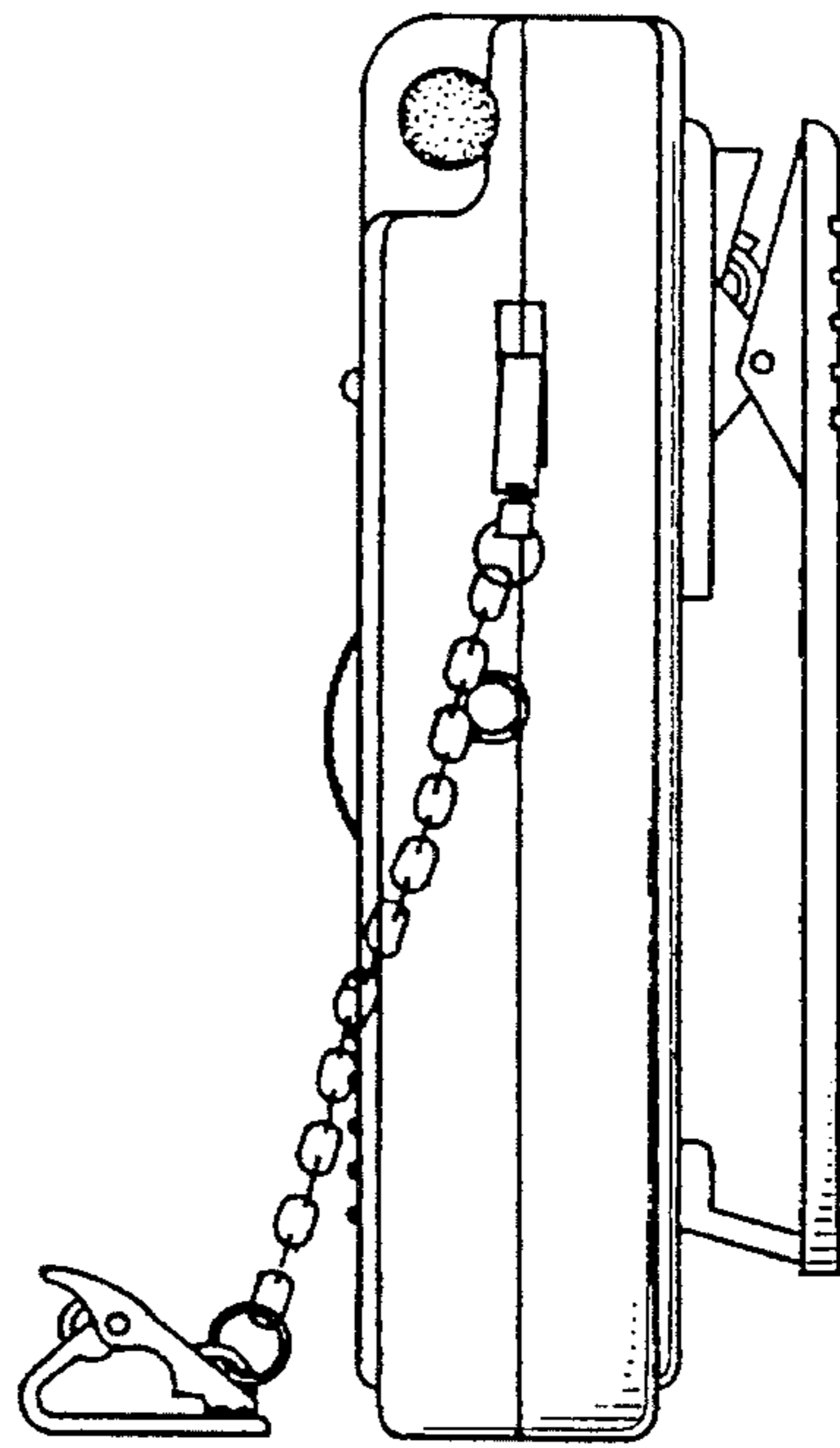


FIG. 5

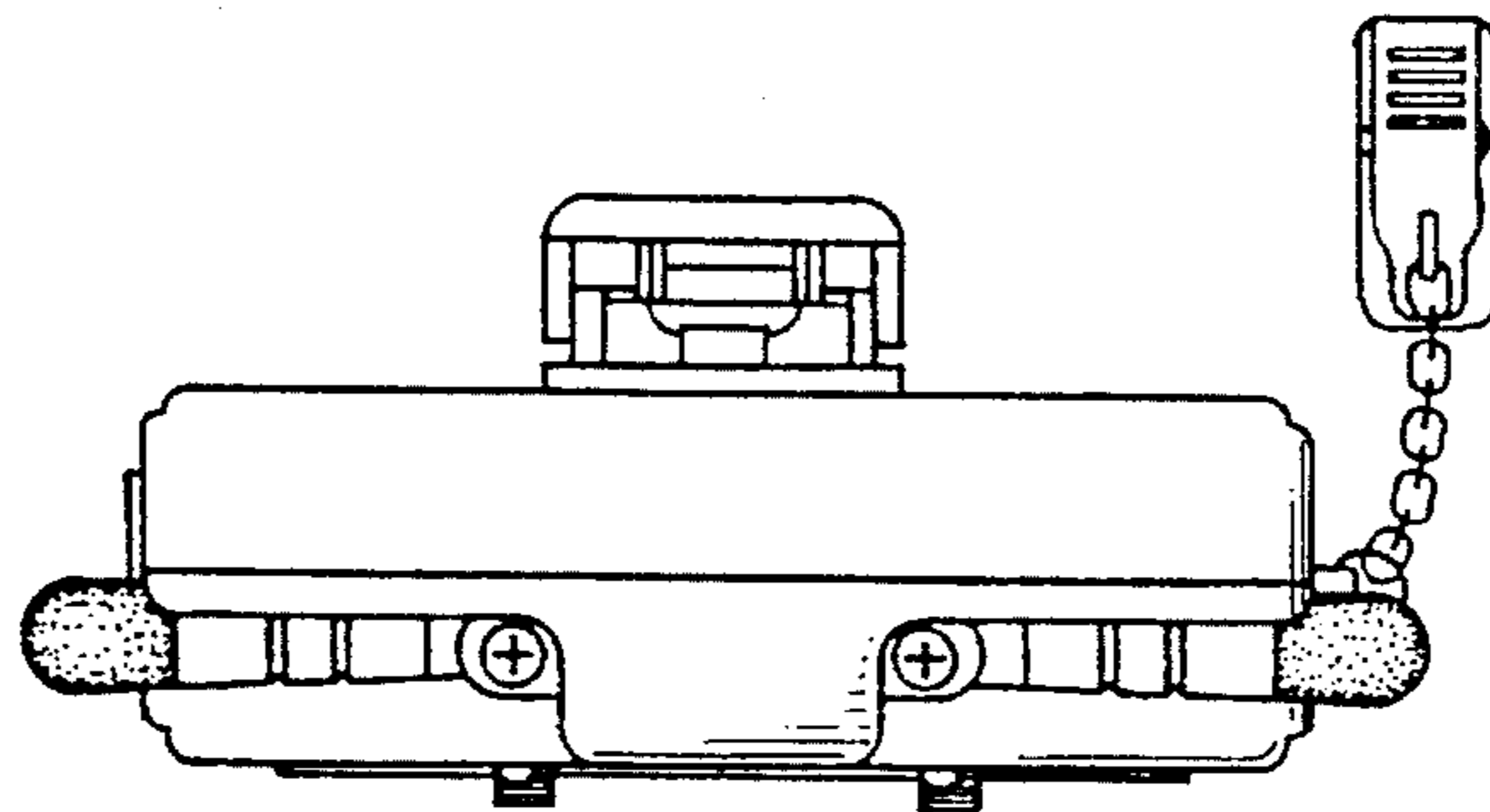


FIG. 6

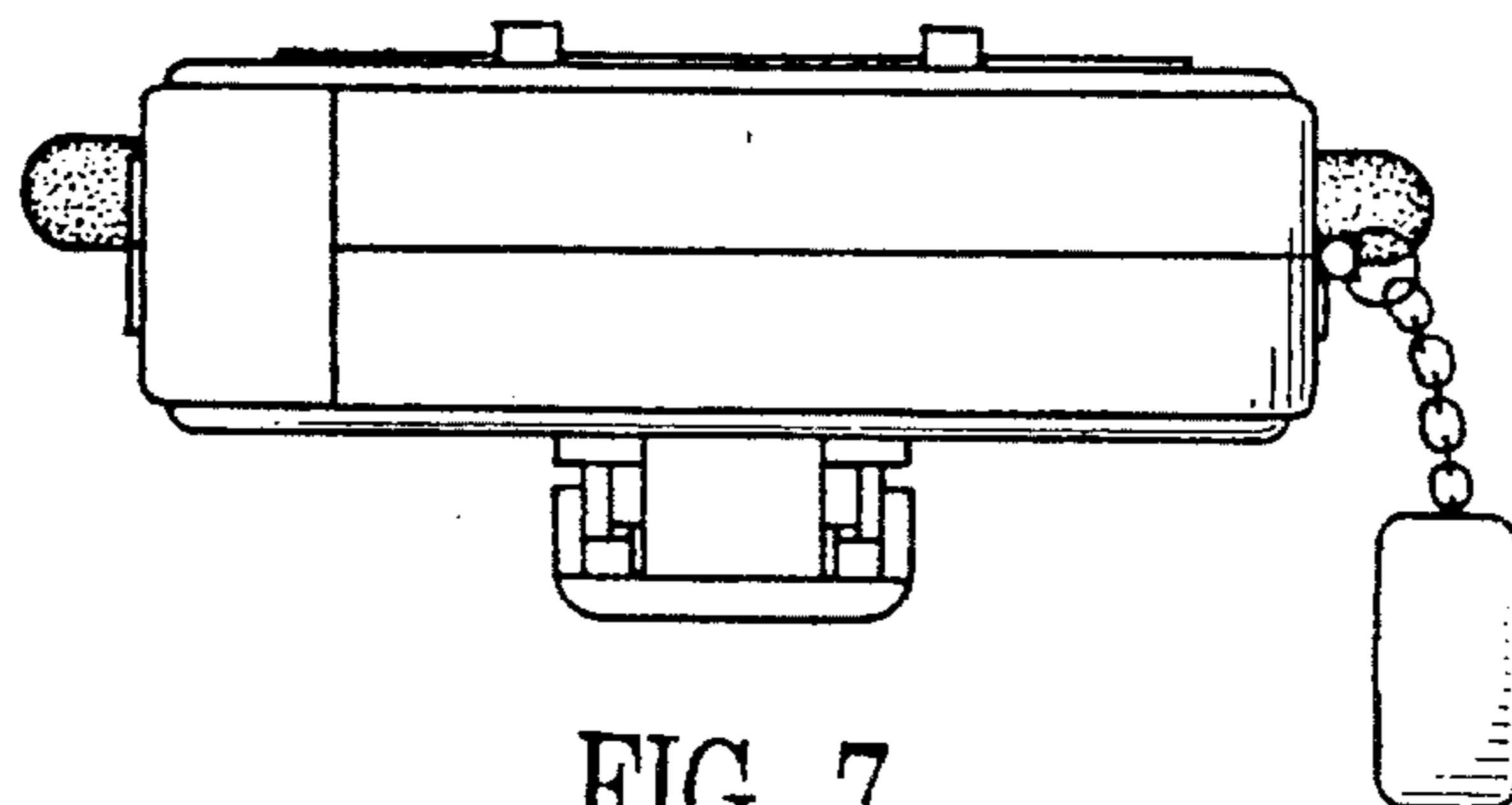


FIG. 7