



US00D363549S

United States Patent [19]
Ye

[11] **Patent Number: Des. 363,549**

[45] **Date of Patent: **Oct. 24, 1995**

[54] **NURSING BOTTLE SUPPORT**

5,188,320 2/1993 Polka 248/102

[76] Inventor: **Youwen Ye**, 1300 E. Main St., Ste. 108,
Alhambra Park, Calif. 91801

Primary Examiner—Stella Reid
Attorney, Agent, or Firm—Cecilia L. Yu

[**] Term: **14 Years**

[57] **CLAIM**

[21] Appl. No.: **18,017**

The ornamental design for a nursing bottle support, as shown.

[22] Filed: **Jan. 27, 1994**

DESCRIPTION

[52] **U.S. Cl.** **D24/199**

[58] **Field of Search** D24/199; 248/105,
248/104, 103, 102, 106, 107

FIG. 1 is a front perspective view of a nursing bottle support, showing my new design, the broken line showing of the bottle is for illustrative purposes only and forms no part of the claimed design;

[56] **References Cited**

U.S. PATENT DOCUMENTS

D. 197,828	3/1964	Reis	D24/199
D. 198,488	6/1964	Reis	D24/199
D. 282,969	3/1986	Sukoff	D24/199
D. 310,418	9/1990	Tribolet	D24/199
2,348,816	5/1944	Hyams	248/105
2,807,430	9/1957	Medlock	248/106

FIG. 2 is a top plan view thereof;

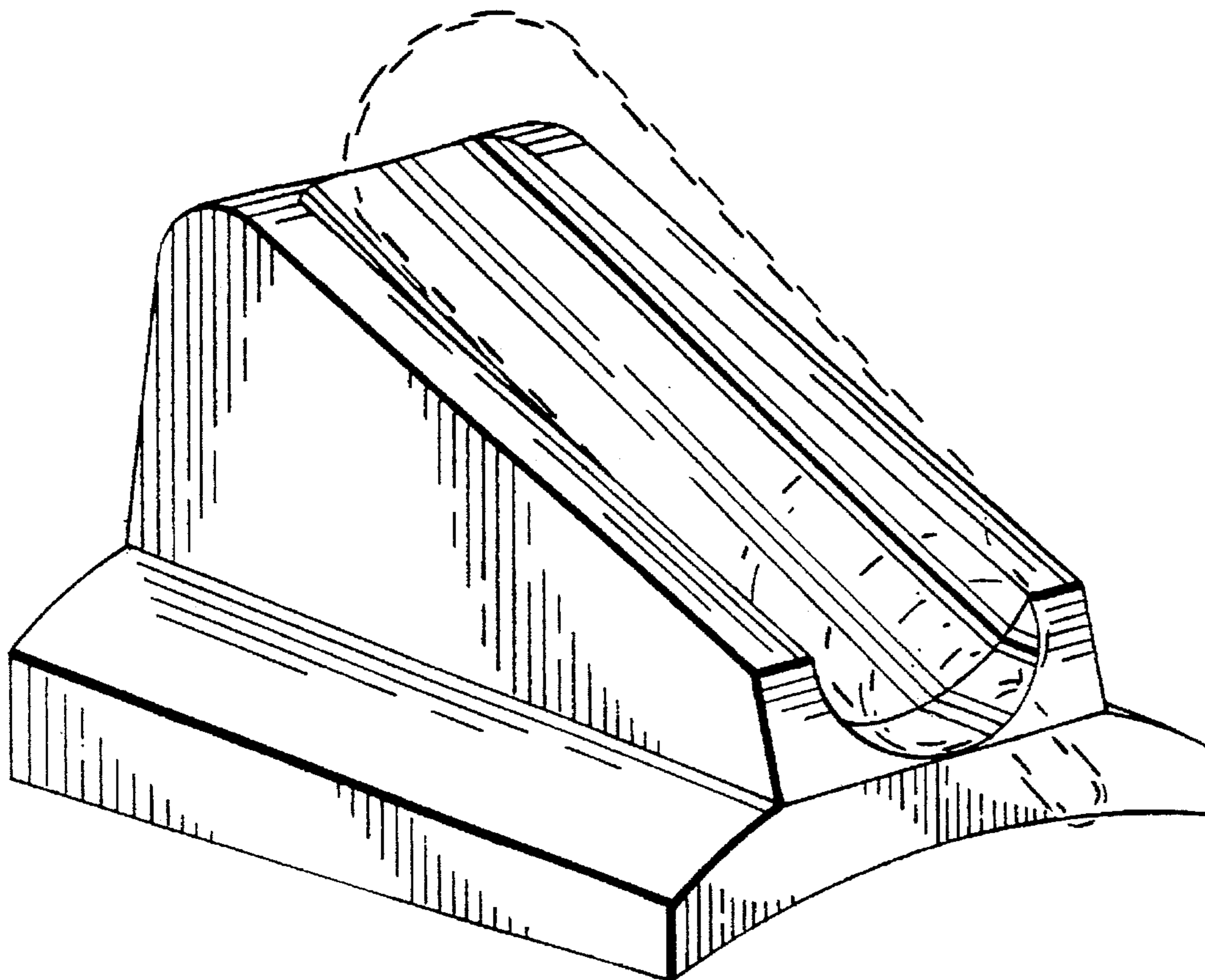
FIG. 3 is a side elevational view thereof, the opposite side elevational view being identical thereto;

FIG. 4 is a bottom plan view thereof;

FIG. 5 is a front elevational view thereof; and,

FIG. 6 is a back elevational view thereof.

1 Claim, 2 Drawing Sheets



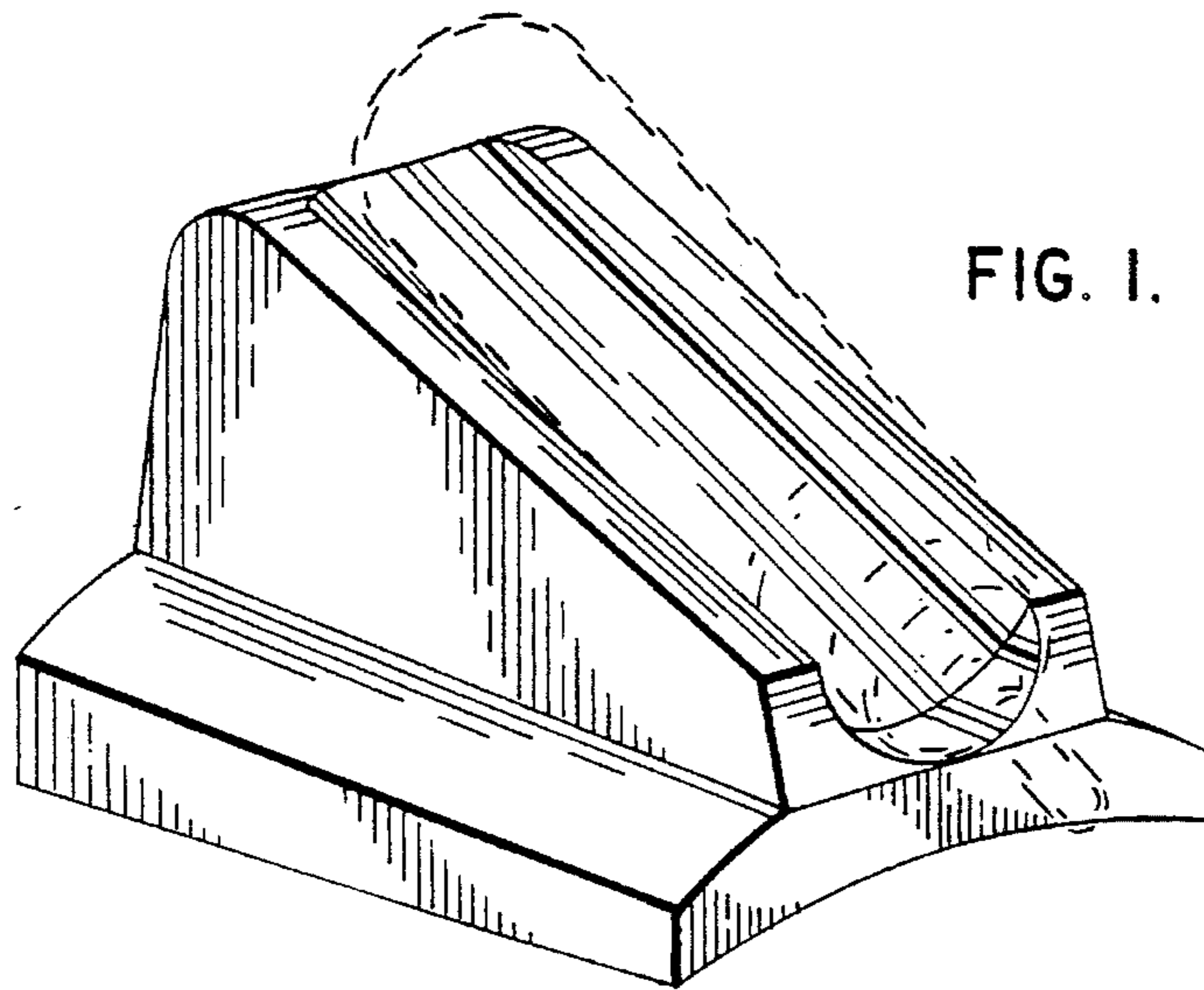


FIG. 1.

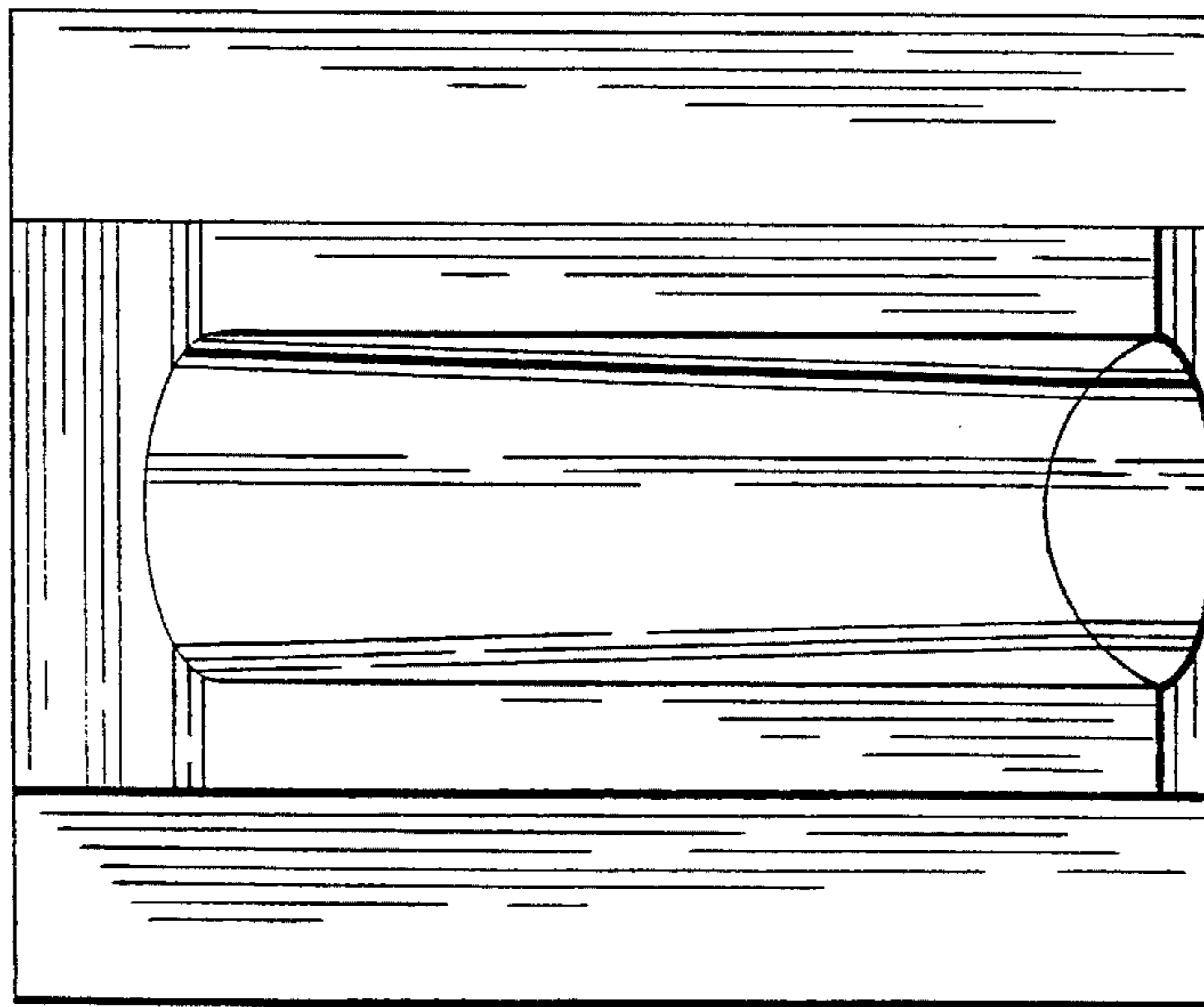


FIG. 2.

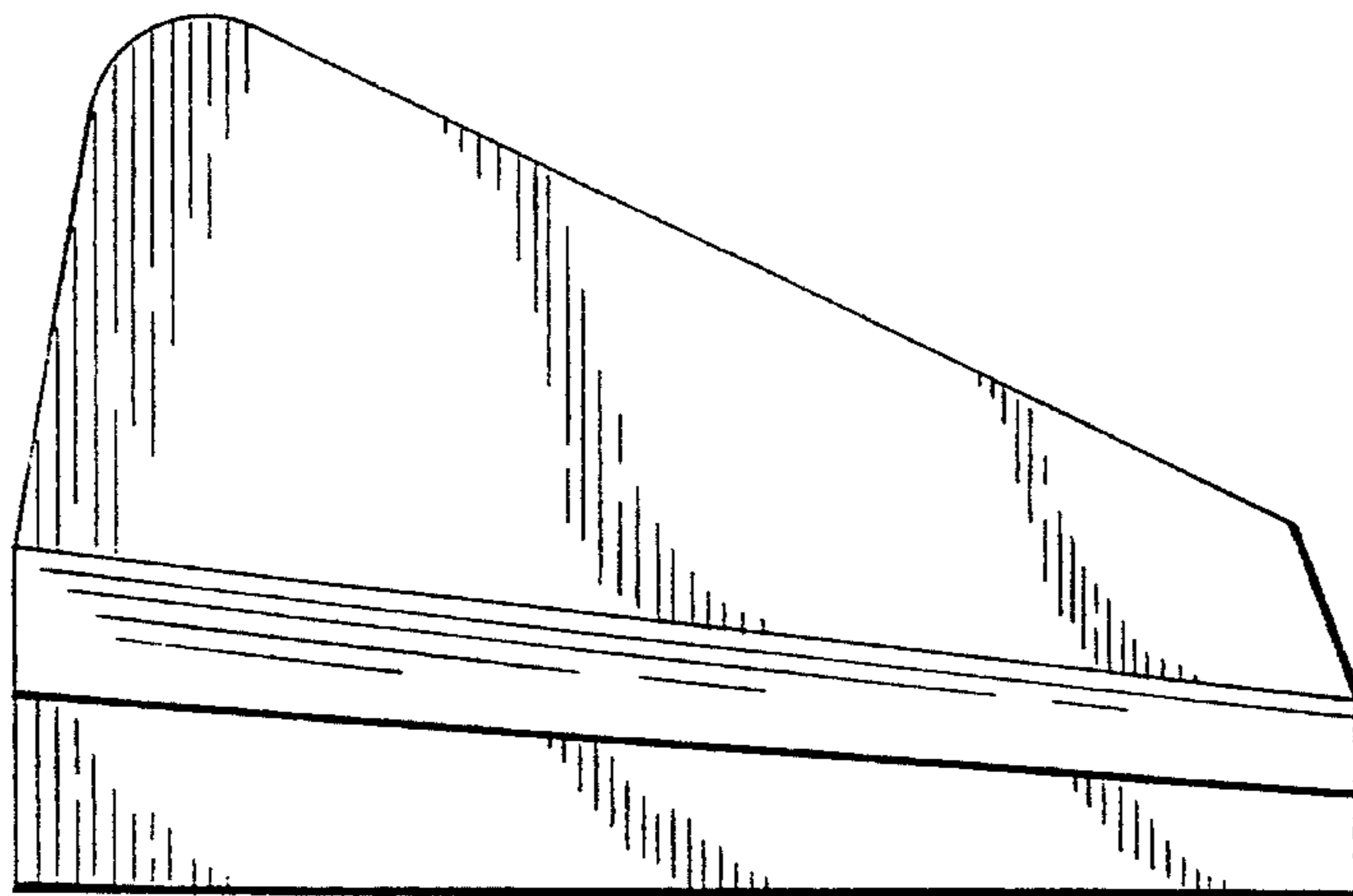


FIG. 3.

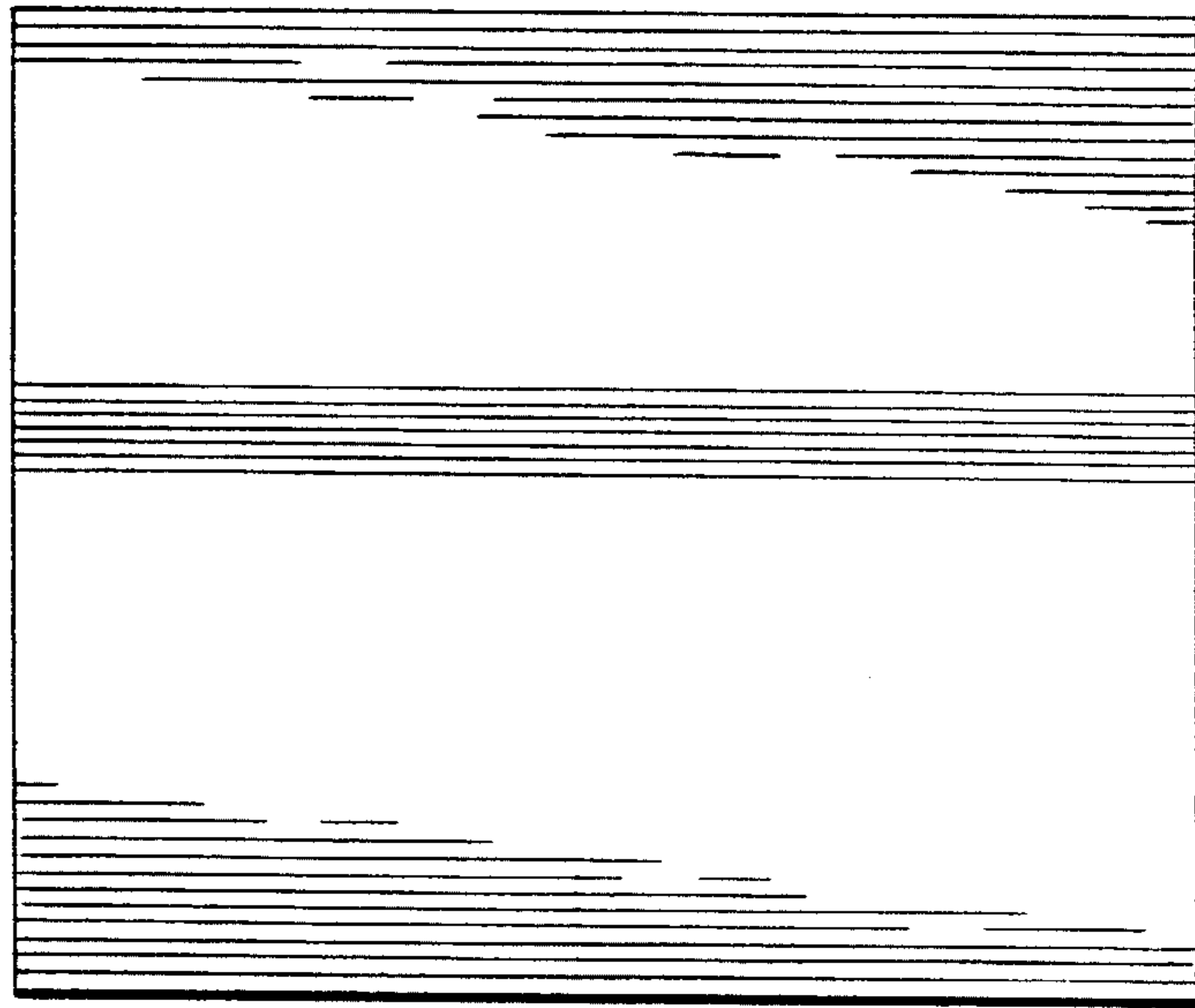


FIG. 4.

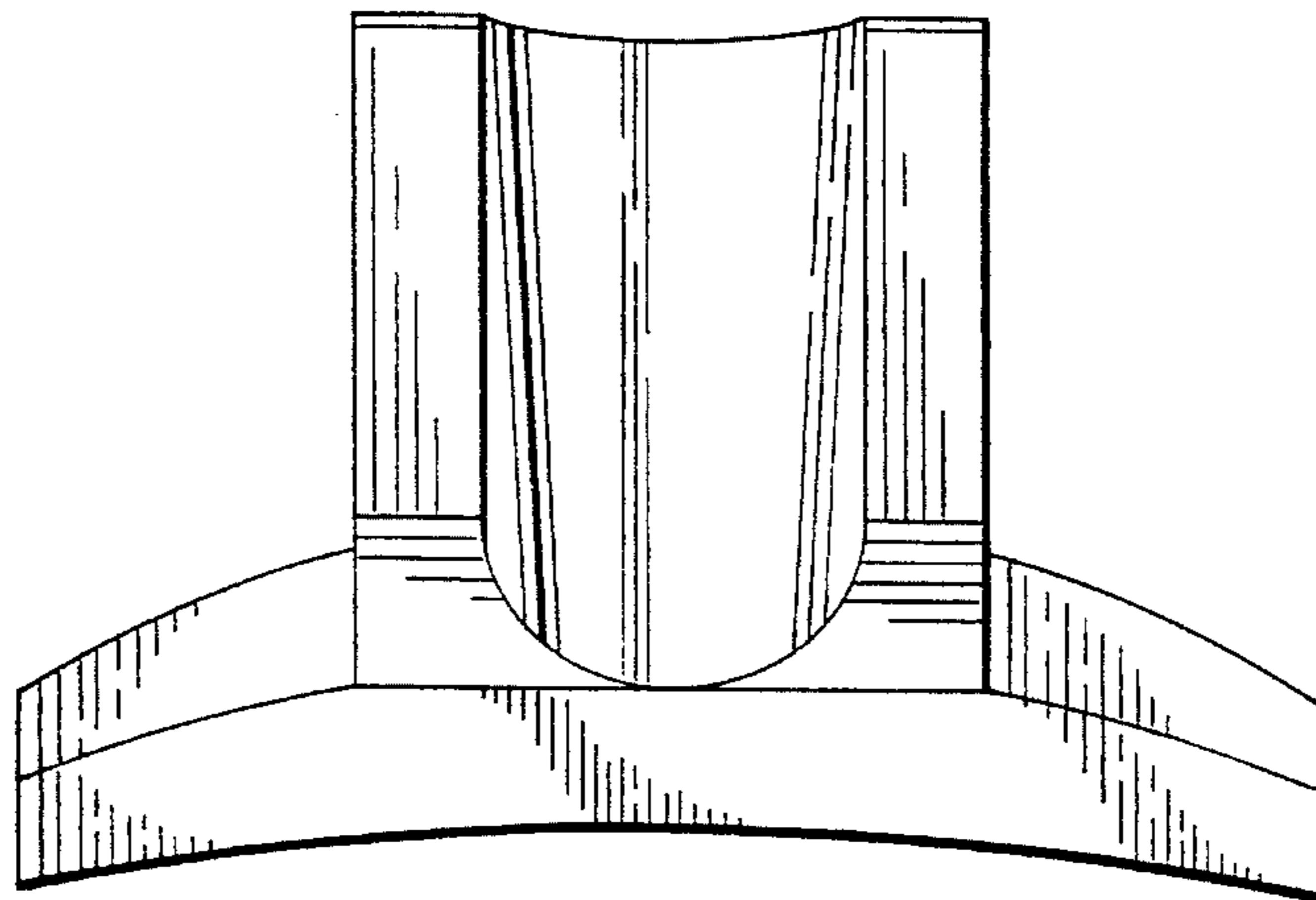


FIG. 5.

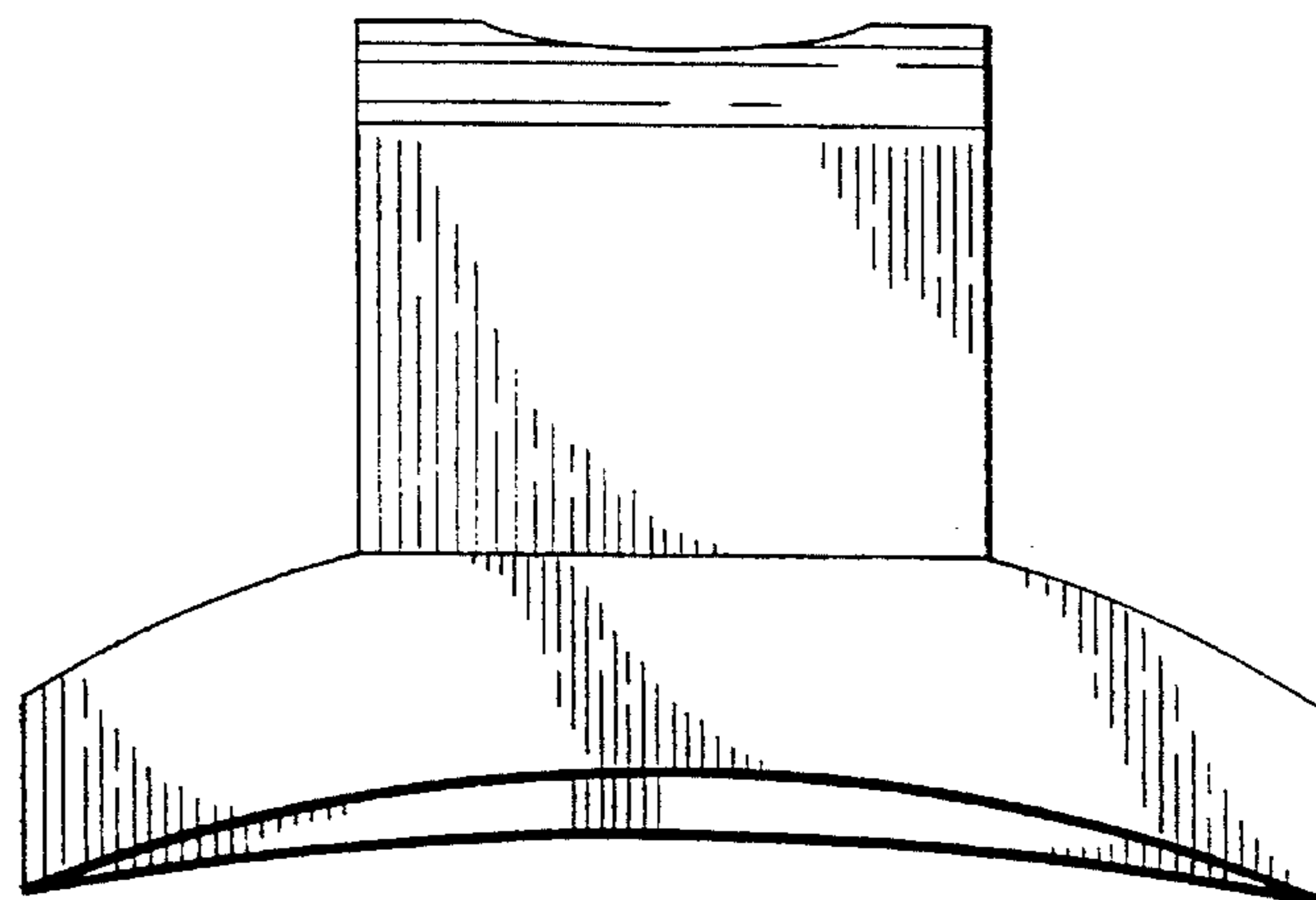


FIG. 6.