



US00D363548S

# United States Patent [19]

[11] Patent Number: **Des. 363,548**

Riccio-Disch et al.

[45] Date of Patent: **\*\*Oct. 24, 1995**

[54] **PACIFIER**

4,768,510 9/1988 Leung ..... 606/234

4,832,214 5/1989 Schrader et al. .

5,123,915 6/1992 Miller et al. .... D24/196 X

[76] Inventors: **Ann M. Riccio-Disch; Robert A. Disch**, both of 31050 Grandon, Livonia, Mich. 48150

### FOREIGN PATENT DOCUMENTS

584687 5/1925 France ..... D24/196 X

2466245 4/1981 France ..... D24/194 X

[\*\*] Term: **14 Years**

### OTHER PUBLICATIONS

[21] Appl. No.: **22,590**

Brochure distributed by American Inventors Corporation approximately during Aug., 1991.

[22] Filed: **May 9, 1994**

*Primary Examiner*—Louis S. Sarfas

*Assistant Examiner*—I. Simmons

### Related U.S. Application Data

[63] Continuation of Ser. No. 709,423, Jun. 3, 1991, abandoned.

[52] U.S. Cl. .... **D24/194; D24/196**

[58] Field of Search ..... D24/194, 195, D24/196; 606/234, 236; 215/11.1, 11.2, 11.3, 11.4, 11.5, 11.6

### [57] CLAIM

The ornamental design for a pacifier, as shown and described.

### DESCRIPTION

FIG. 1 is a front elevational view of the pacifier showing my new design;

FIG. 2 is a rear elevational view thereof;

FIG. 3 is a left side elevational view thereof;

FIG. 4 is a right side elevational view thereof;

FIG. 5 is a top plan view thereof; and,

FIG. 6 is a bottom plan view thereof.

### [56] References Cited

#### U.S. PATENT DOCUMENTS

D. 249,161 8/1978 Röhrig ..... 606/234 X

D. 255,268 6/1980 Bernstein ..... D24/194

D. 328,647 8/1992 Hwang ..... D24/194

3,186,411 6/1965 Skidmore .

4,688,571 8/1987 Tesler .

4,716,902 1/1988 Swartz .

4,759,453 7/1988 Paetzold .

**1 Claim, 3 Drawing Sheets**

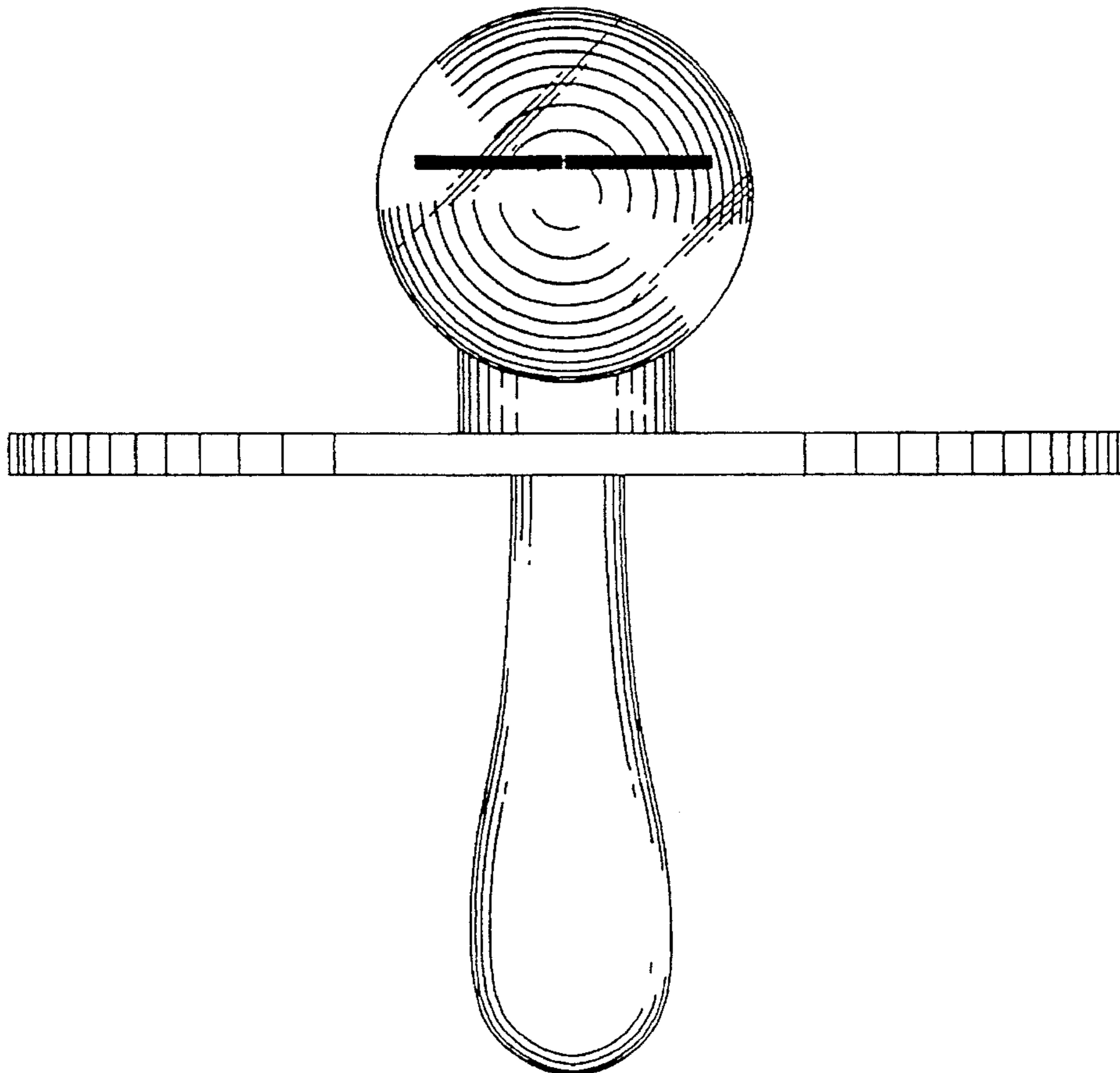


FIG. 1

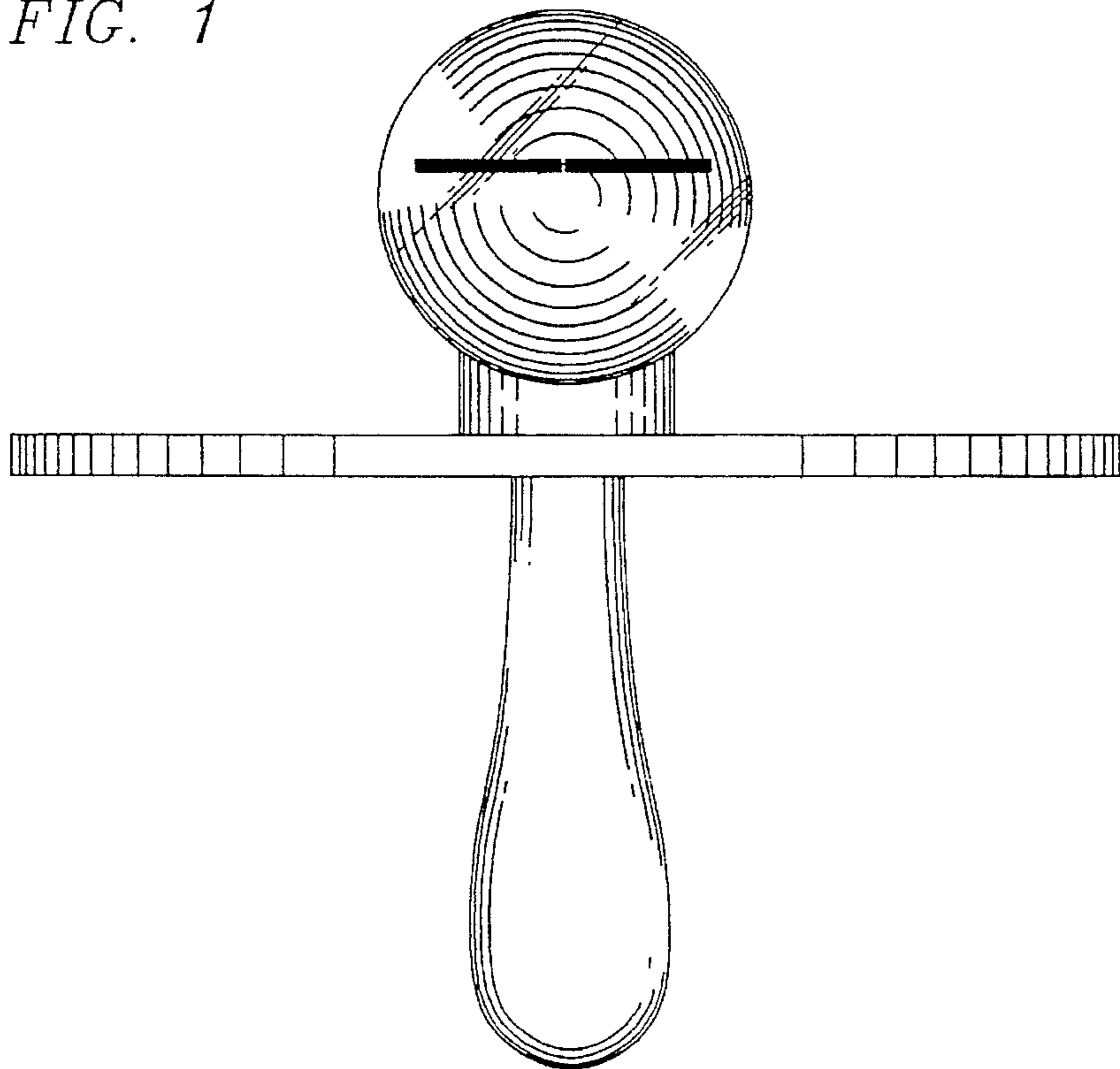


FIG. 2

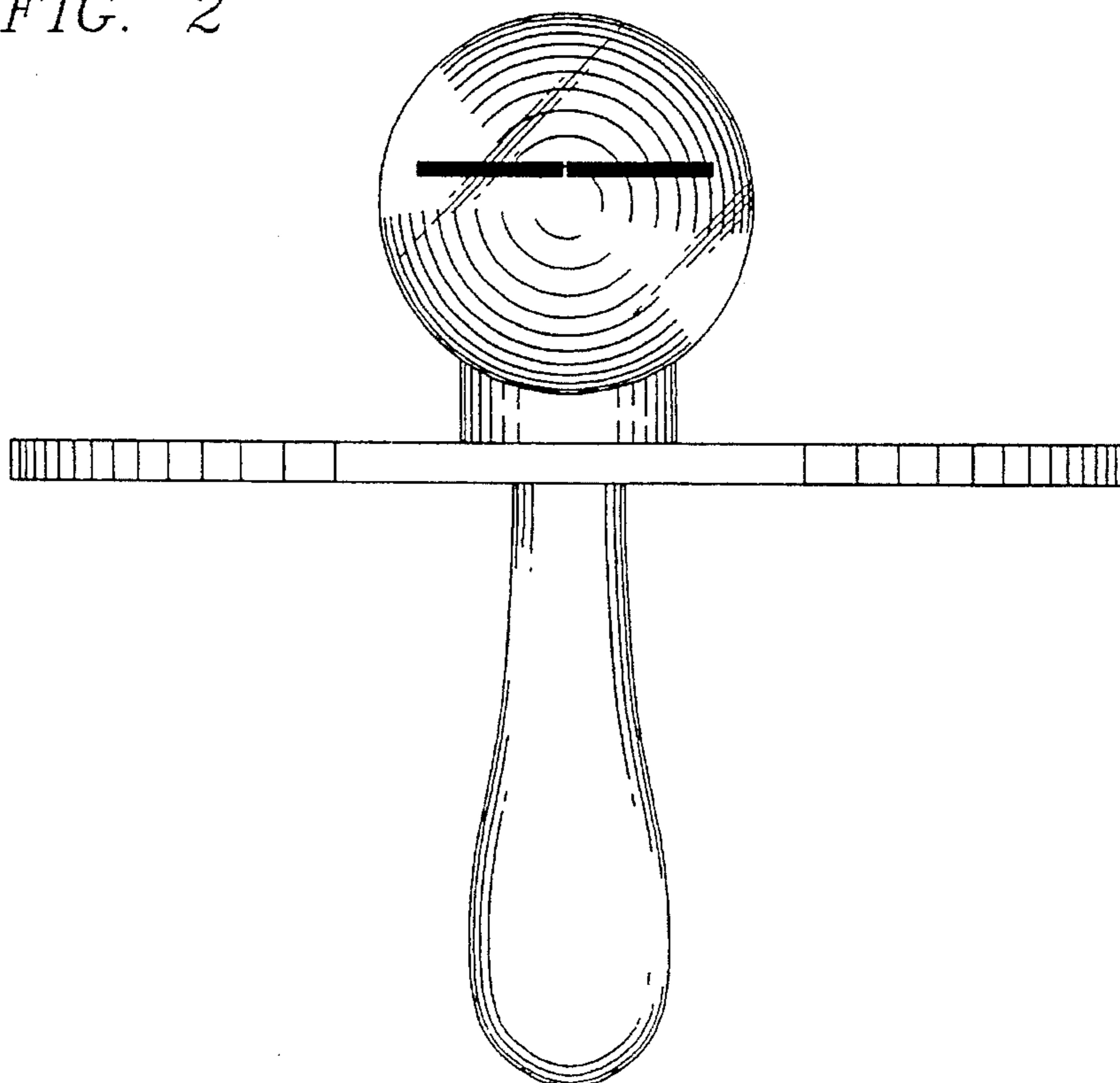


FIG. 3

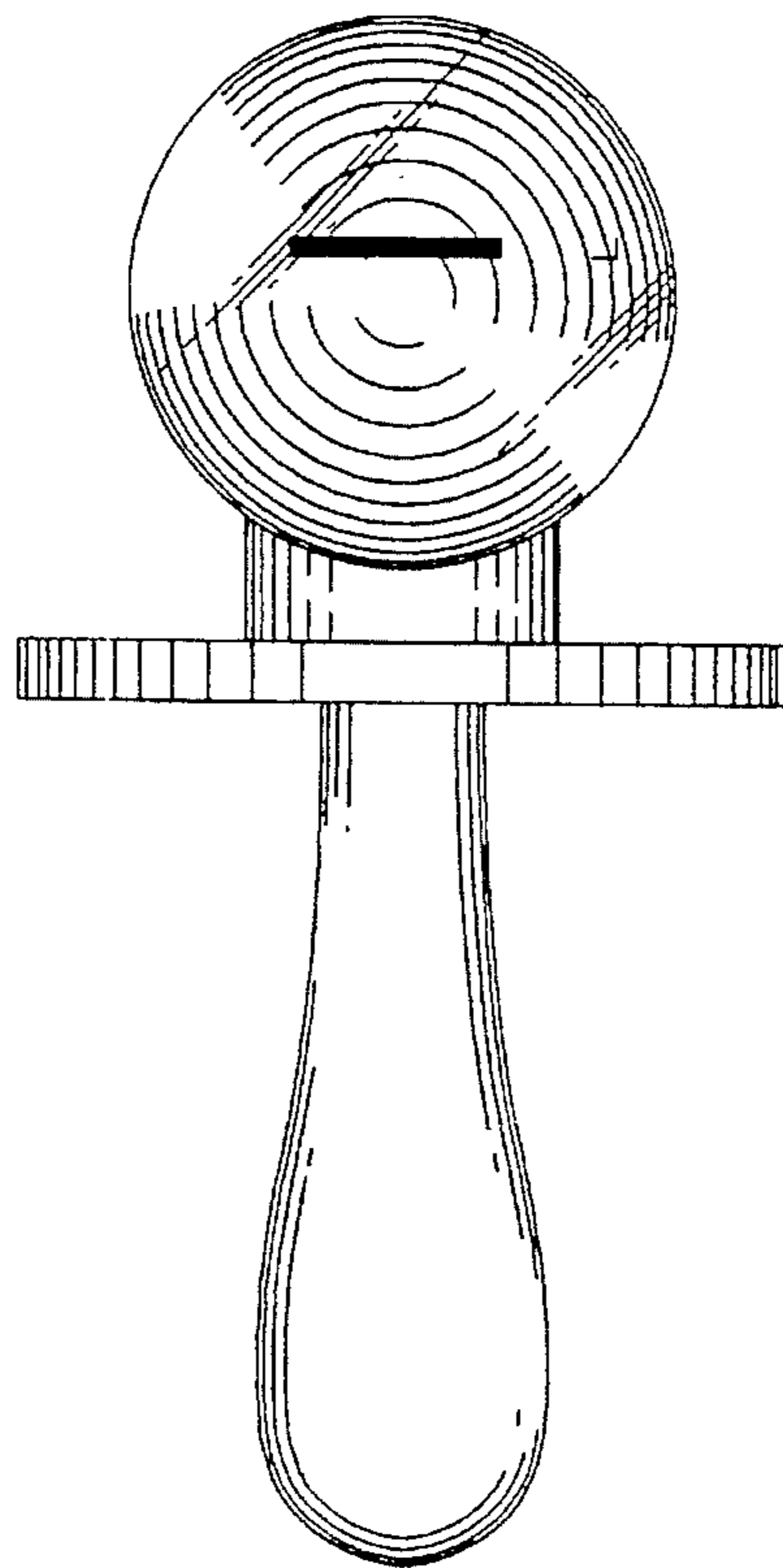


FIG. 4

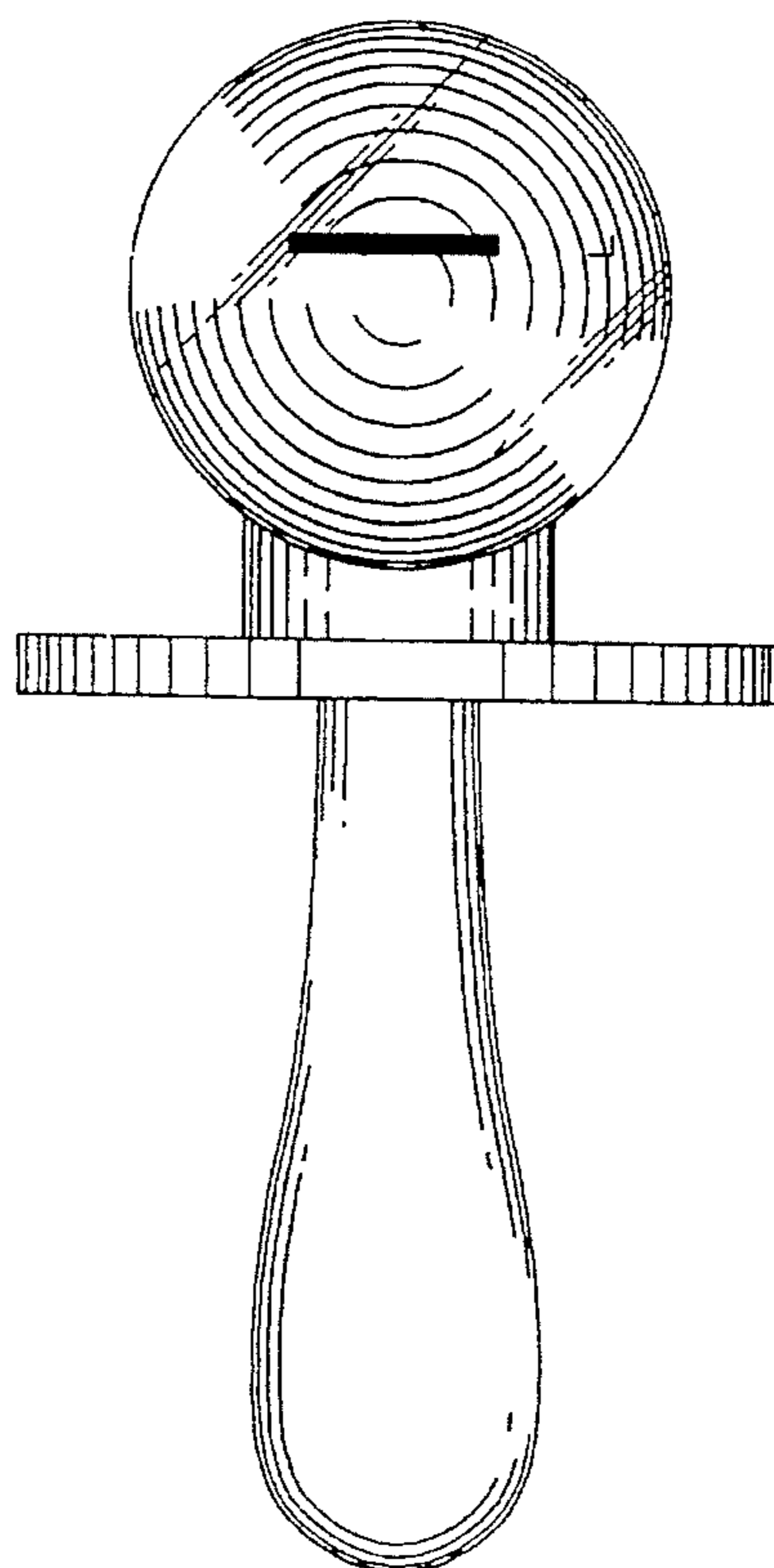


FIG. 5

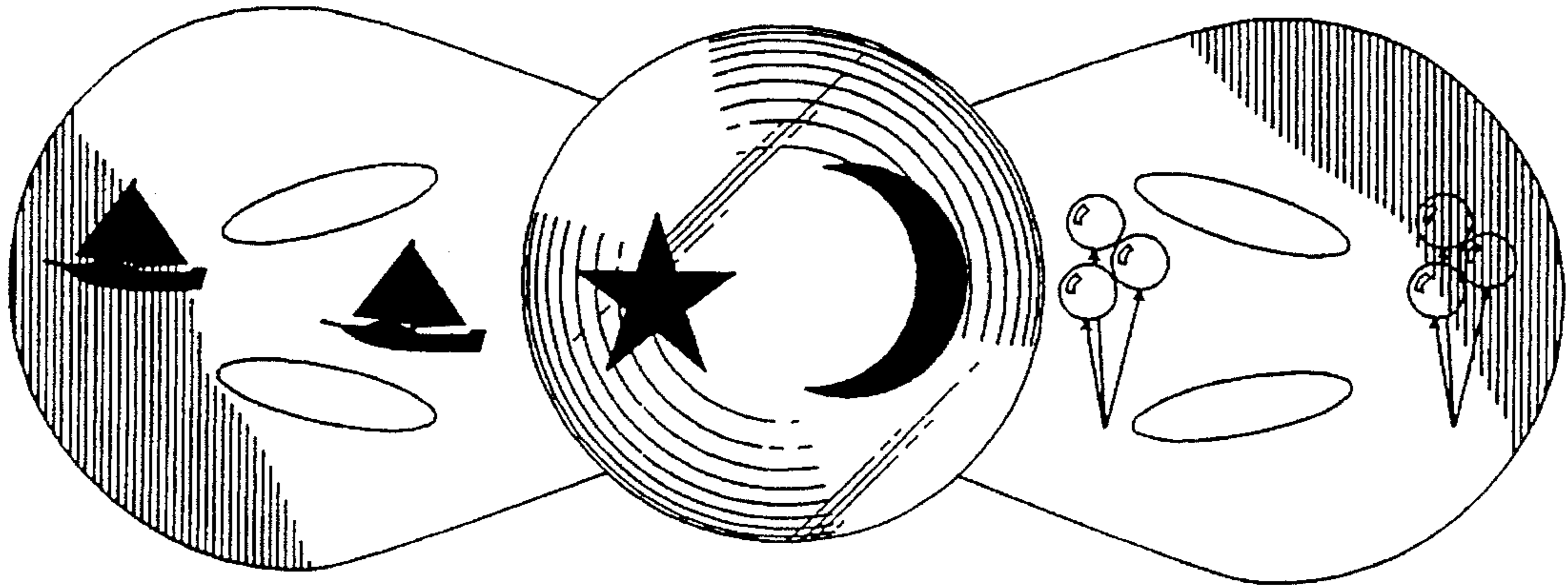


FIG. 6

