



US00D363545S

# United States Patent [19]

[11] Patent Number: **Des. 363,545**

Miller

[45] Date of Patent: **\*\*Oct. 24, 1995**

[54] **JAW PORTION OF COMPRESSION CLAMP FORCEPS**

3600789 7/1987 Germany ..... 606/209

[75] Inventor: **Stephen C. Miller, Warsaw, Ind.**

*Primary Examiner*—Lou Zarfaz  
*Assistant Examiner*—I. Simmons  
*Attorney, Agent, or Firm*—Todd A. Dawson

[73] Assignee: **Zimmer, Inc., Warsaw, Ind.**

[\*\*] Term: **14 Years**

[57] **CLAIM**

[21] Appl. No.: **15,361**

The ornamental design for a jaw portion of compression clamp forceps, as shown and described.

[22] Filed: **Oct. 4, 1993**

**DESCRIPTION**

[52] U.S. Cl. .... **D24/143**

[58] Field of Search ..... D24/143; 606/205, 606/206, 207, 209, 86, 89, 88, 87

FIG. 1 is a perspective view of a jaw portion of compression clamp forceps showing my new design;  
FIG. 2 is a front end view thereof;  
FIG. 3 is a top end view thereof;  
FIG. 4 is a right side elevational guide thereof;  
FIG. 5 is a bottom view thereof;  
FIG. 6 is a left side elevational view thereof; and,  
FIG. 7 is a rear end elevational view thereof.

[56] **References Cited**

**U.S. PATENT DOCUMENTS**

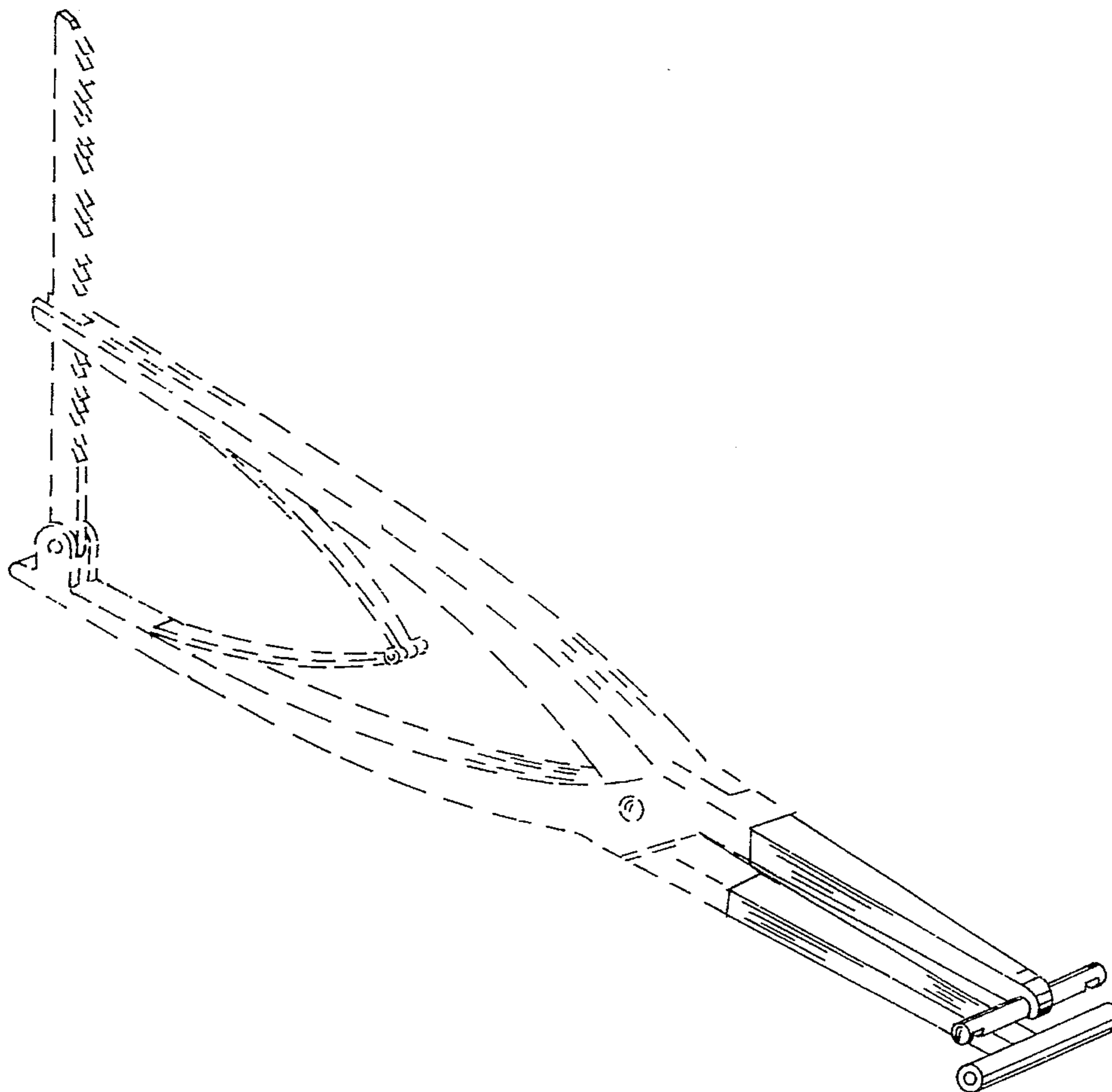
D. 289,683	5/1987	Gilfillan	.....	D24/143
3,209,753	10/1955	Hawkins et al.	.....	D24/143 X
3,369,550	2/1968	Armao	.....	D24/143 X
4,452,244	6/1984	Chin	.....	606/209
5,021,056	6/1991	Hofmann et al.	.....	606/86
5,053,039	10/1991	Hofmann et al.	.....	606/87

The broken line showing of the handle portion in the FIGS. 1 through 6 is for illustrative purposes only and forms no part of the claimed design.

**FOREIGN PATENT DOCUMENTS**

459916	5/1928	Germany	.....	606/205
--------	--------	---------	-------	---------

**1 Claim, 3 Drawing Sheets**



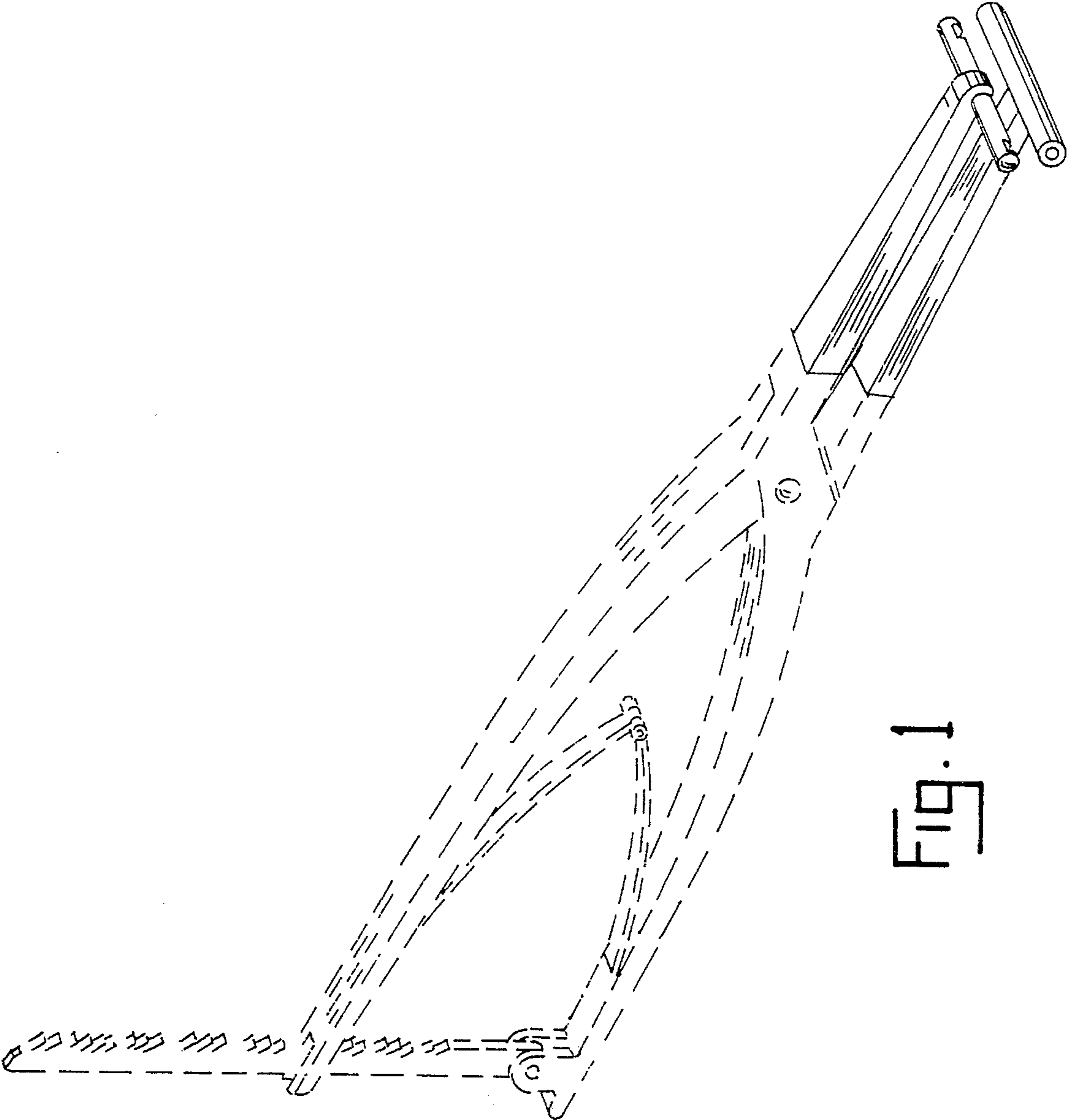


FIG. 1

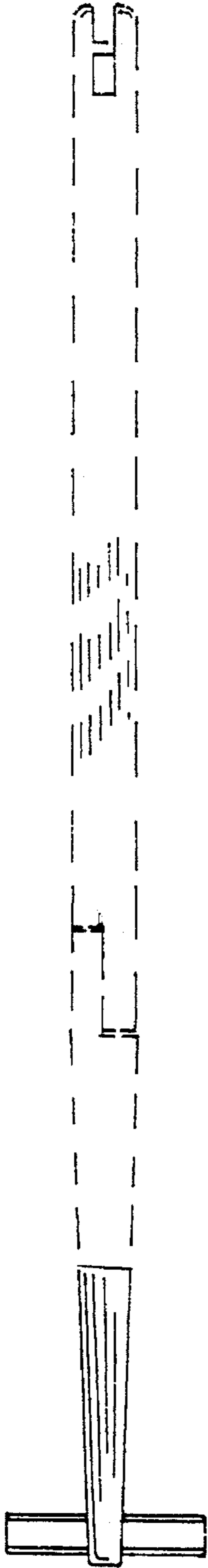


FIG. 2

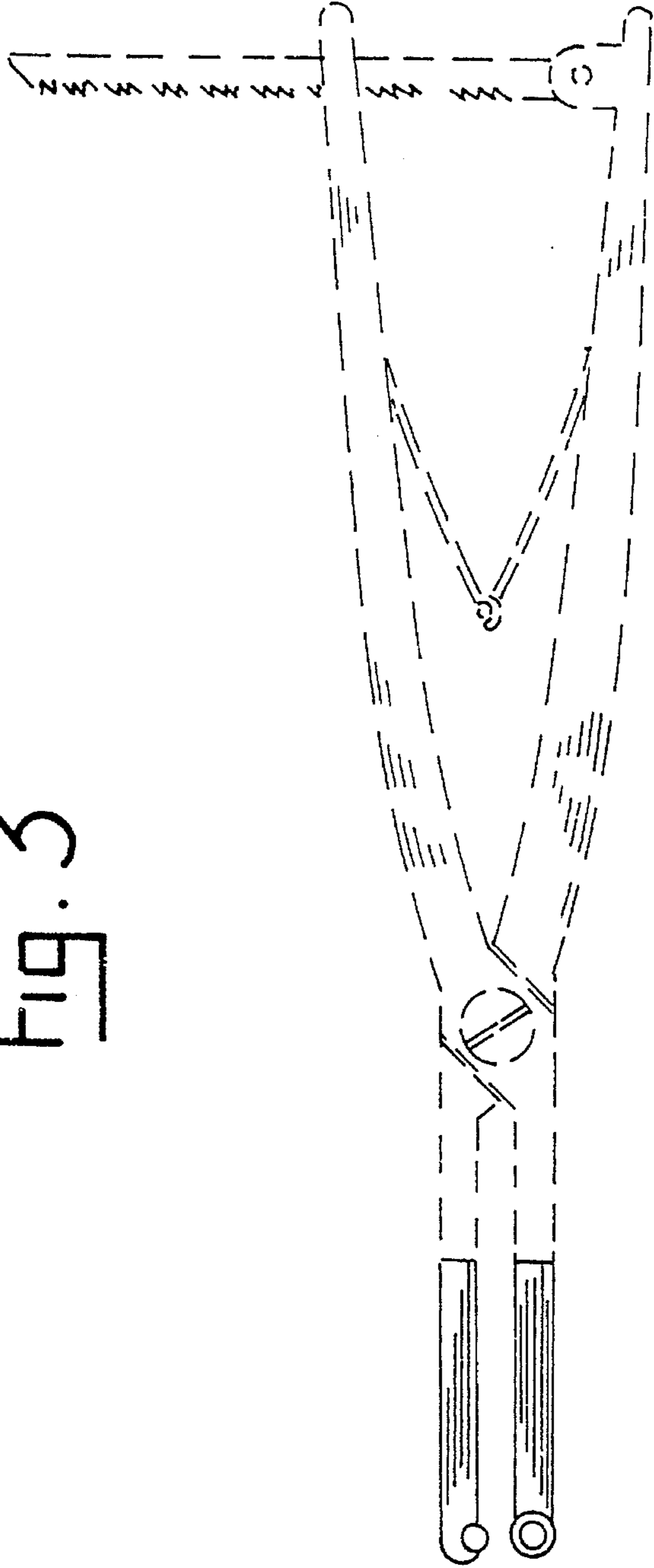


FIG. 3

FIG. 4

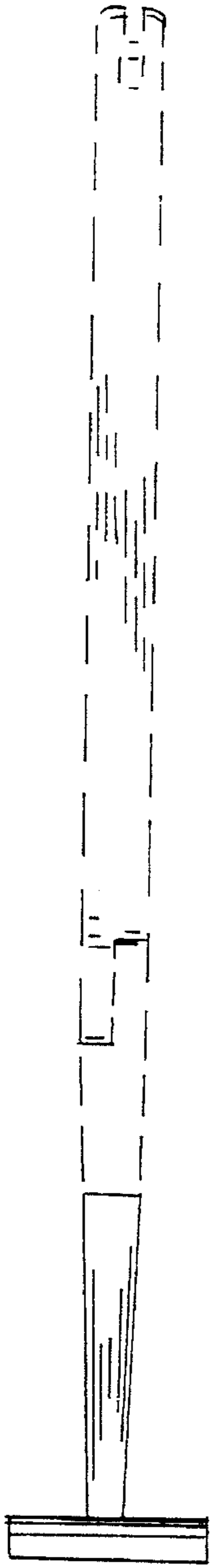


FIG. 5

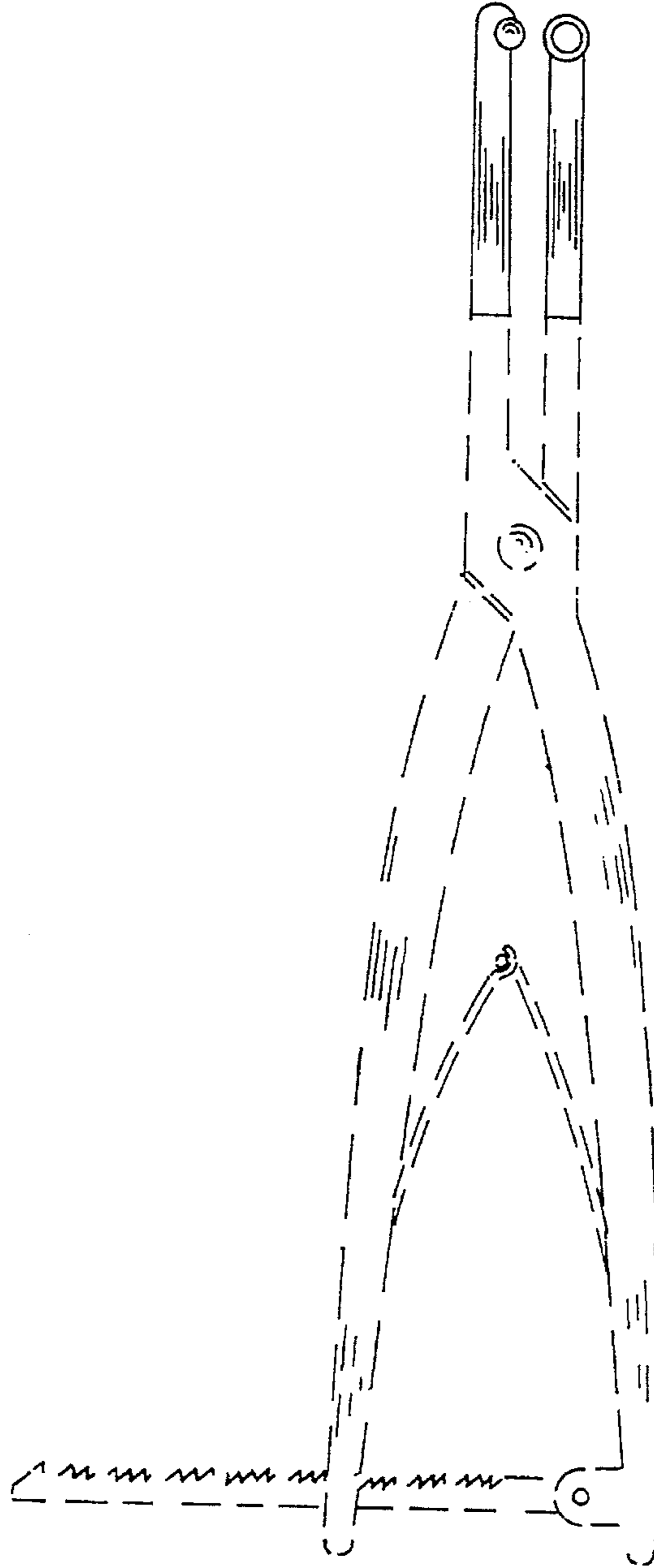


FIG. 6

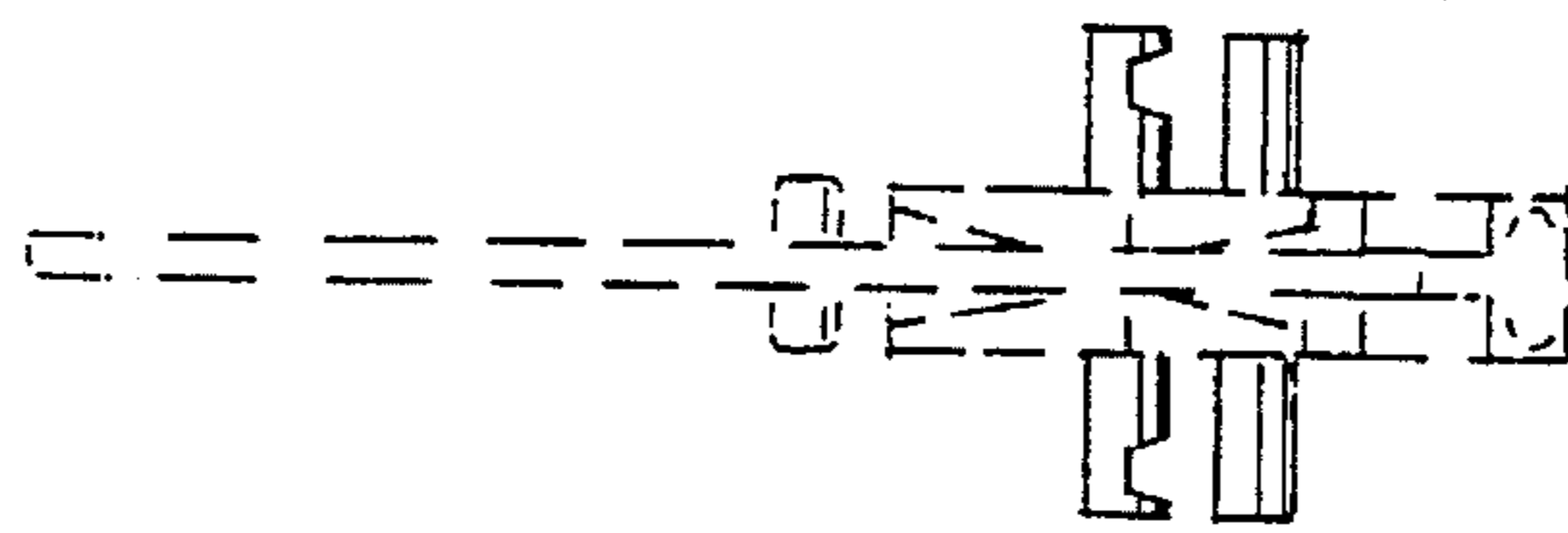


FIG. 7