



US00D363543S

United States Patent [19]

[11] Patent Number: **Des. 363,543**

Van Funderburk et al.

[45] Date of Patent: ****Oct. 24, 1995**

[54] **NEEDLE GUARD FOR INFUSION NEEDLE**

[75] Inventors: **Jeffery Van Funderburk**, Granada Hills; **Deborah C. McIntyre**, Agoura, both of Calif.

[73] Assignee: **MiniMed Inc.**, Sylmar, Calif.

[**] Term: **14 Years**

[21] Appl. No.: **21,812**

[22] Filed: **Apr. 25, 1994**

[52] U.S. Cl. **D24/130**

[58] Field of Search D24/130; 128/DIG. 20, 128/877, 878, 879; 604/174, 180, 192, 197, 198, 175

[56] **References Cited**

U.S. PATENT DOCUMENTS

D. 353,456	12/1994	Fayngold et al.	D24/130
4,332,248	6/1982	DeVitis	604/180 X
4,380,234	4/1983	Kamen	604/180
4,878,897	11/1989	Katzin	604/174 X
4,898,587	2/1990	Mera	604/174
4,966,589	10/1990	Kaufman	604/174

Primary Examiner—Lou Zarfaz
Assistant Examiner—I. Simmons
Attorney, Agent, or Firm—Kelly Bauersfeld & Lowry

[57] **CLAIM**

The ornamental design for a needle guard for infusion needle, as shown and described.

DESCRIPTION

FIG. 1 is a perspective view showing the top, front, and right sides of a needle guard for infusion needle embodying our new design;

FIG. 2 is a front elevational view thereof;

FIG. 3 is a rear elevational view thereof;

FIG. 4 is a right side elevational view thereof, the left side being a mirror image of the right side as shown;

FIG. 5 is a top plan view thereof;

FIG. 6 is a bottom plan view thereof, and,

FIG. 7 is an enlarged cross-sectional view thereof, taken along the line 7—7 of FIG. 2.

The broken line showing of an infusion tube and needle in the FIGS. 1 and 7 are for illustrative purposes only and forms no part of the claimed design.

1 Claim, 2 Drawing Sheets

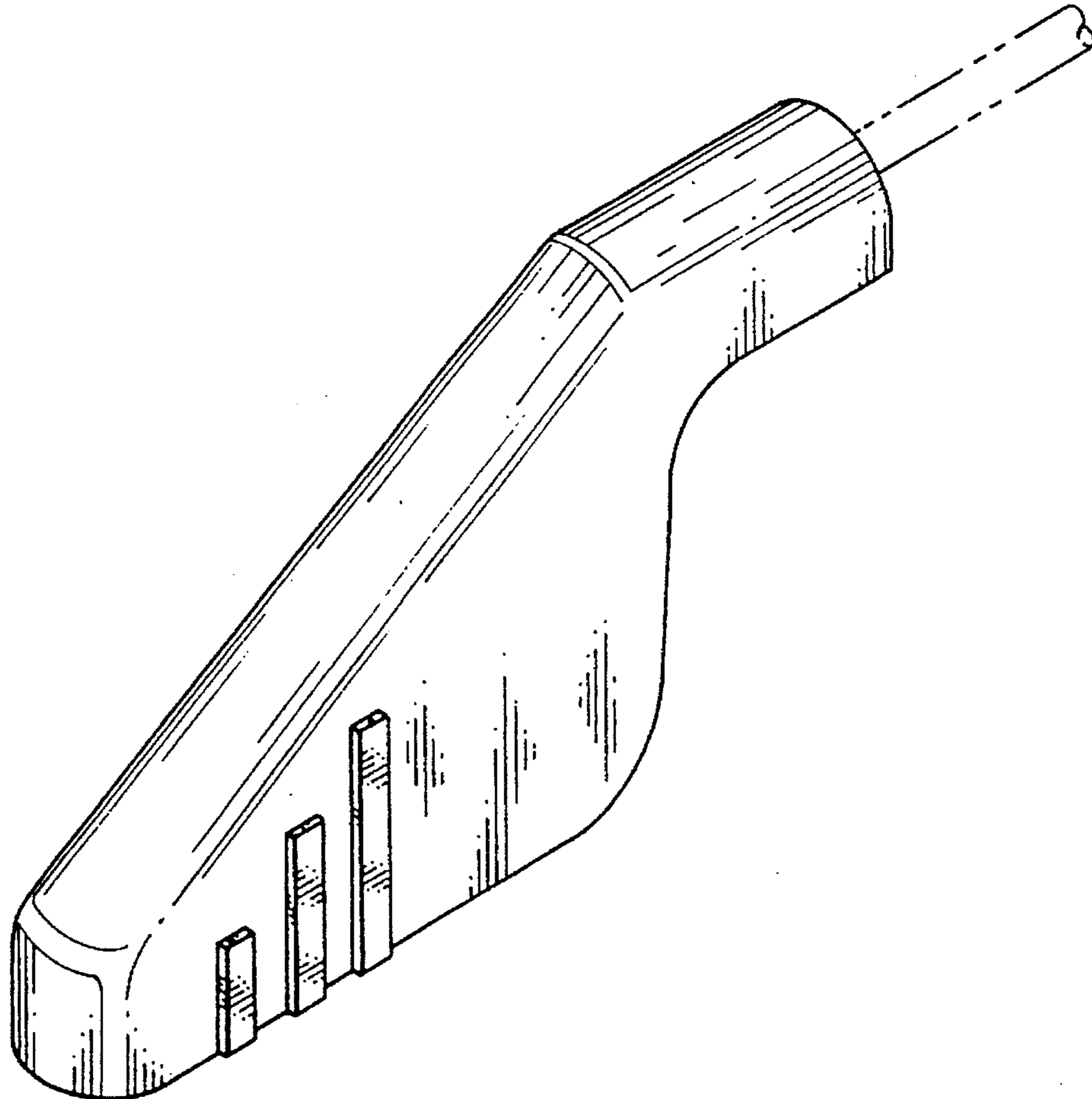


FIG. 1

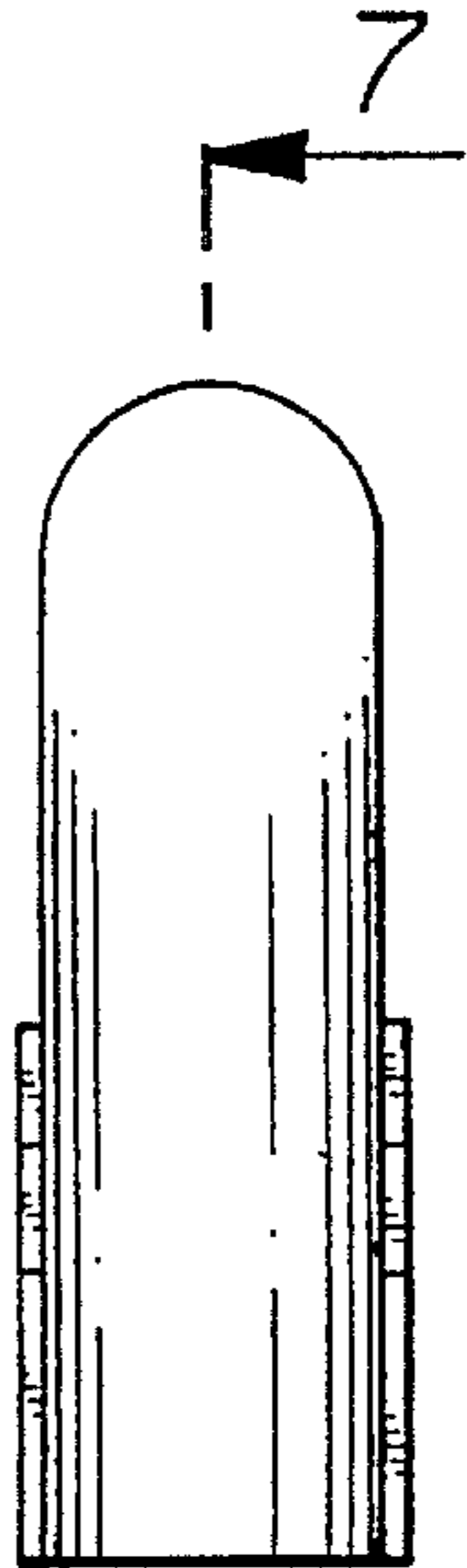
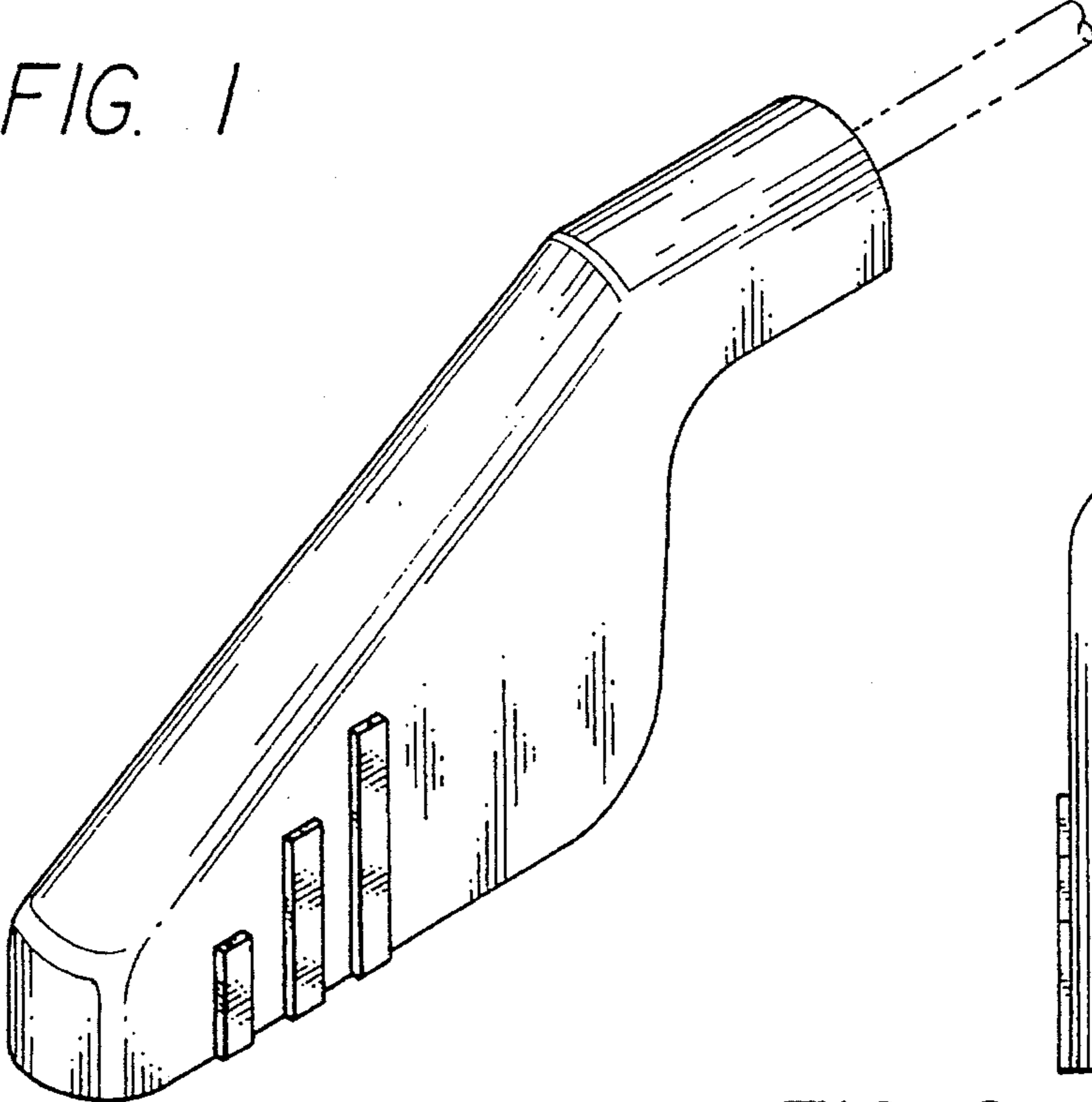


FIG. 2

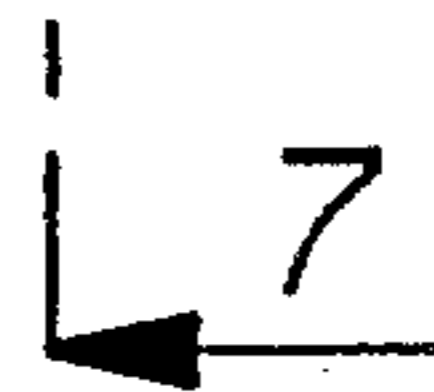


FIG. 3

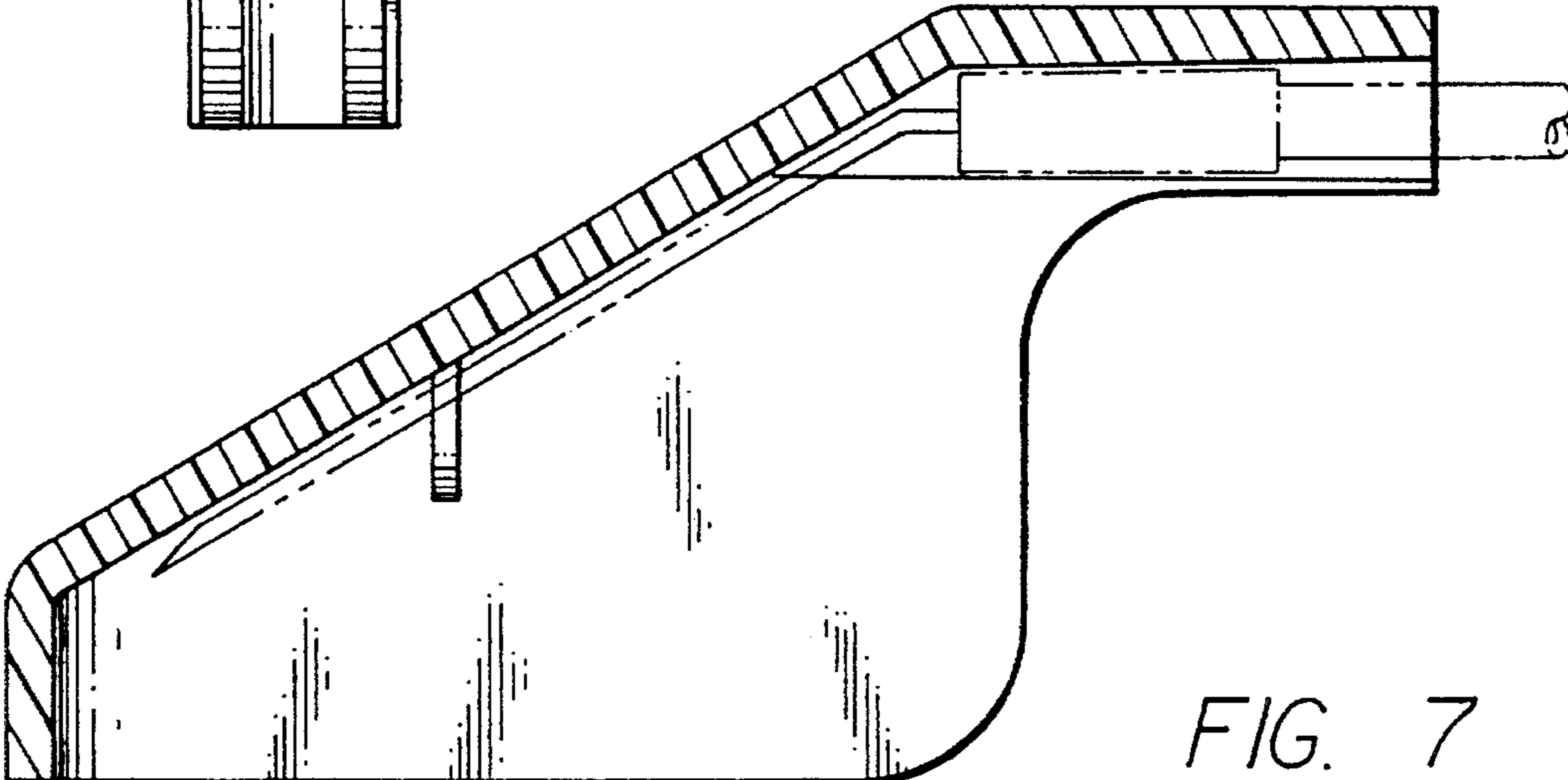
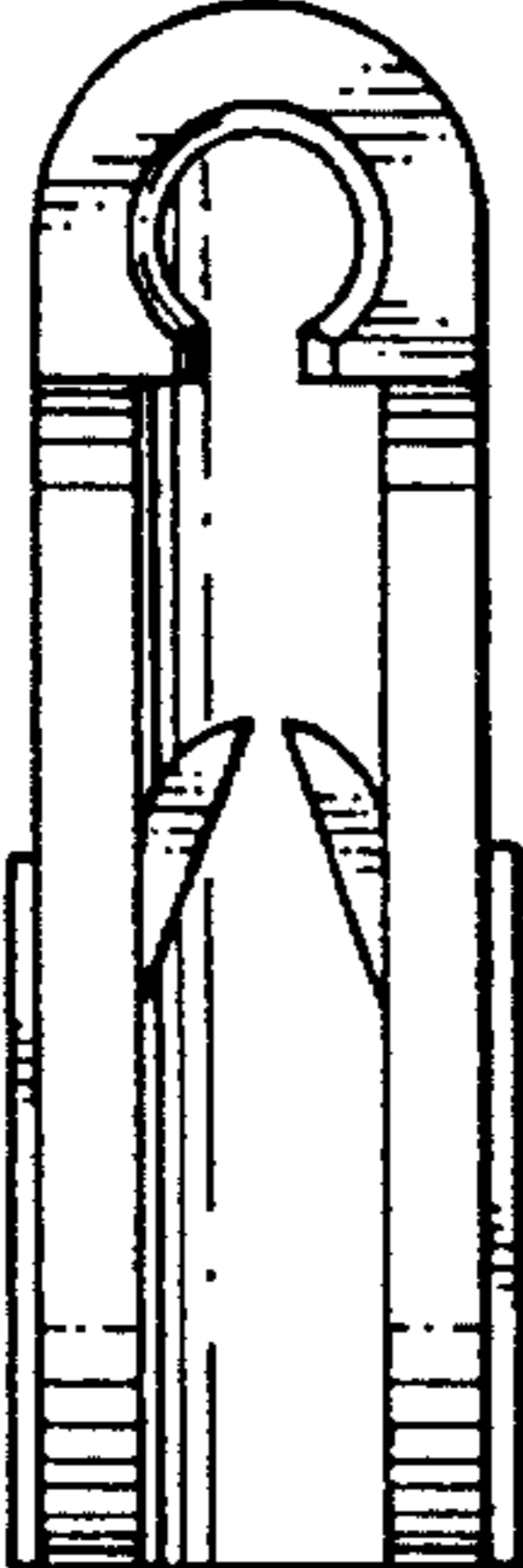


FIG. 7

FIG. 4

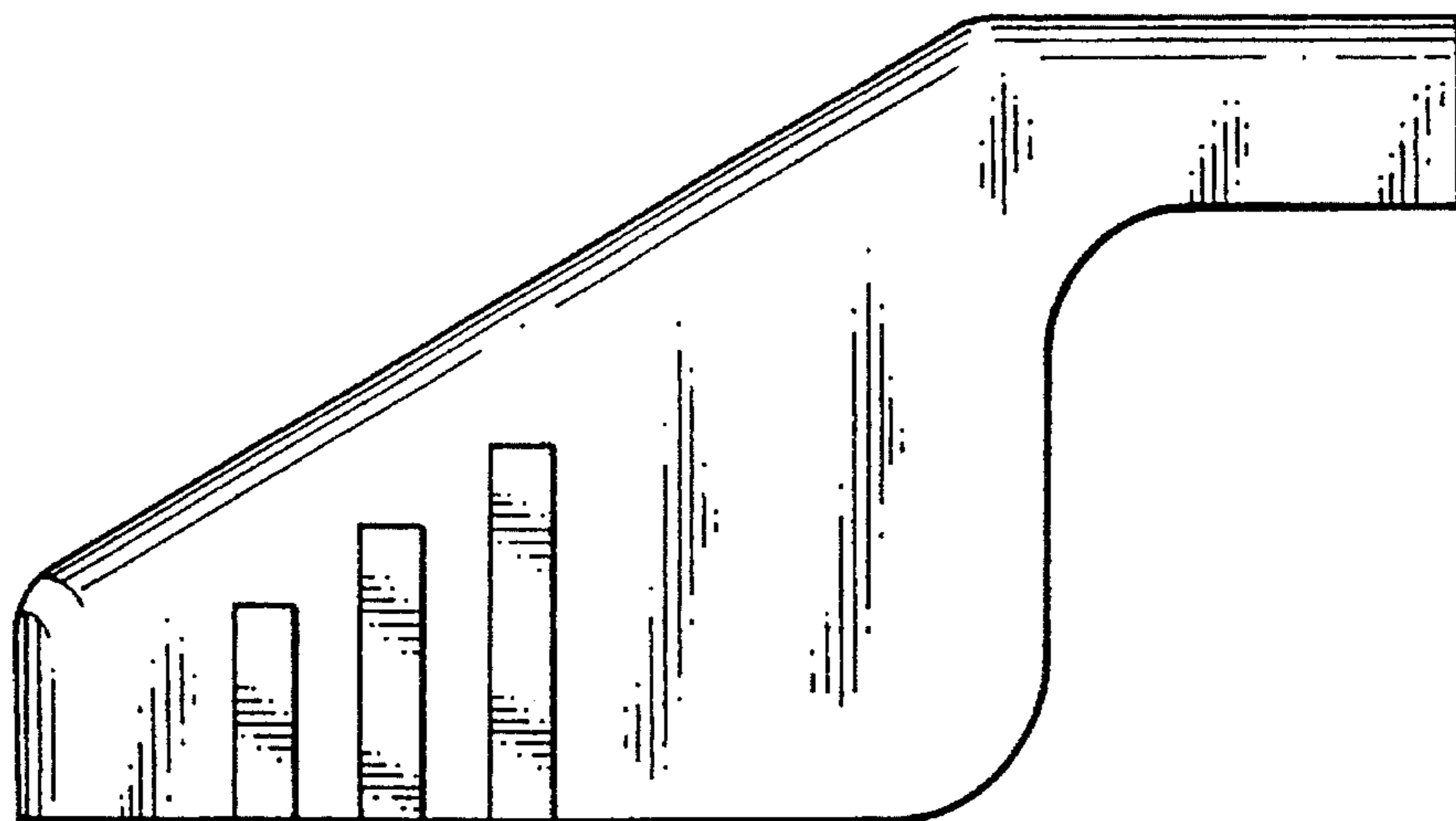


FIG. 5

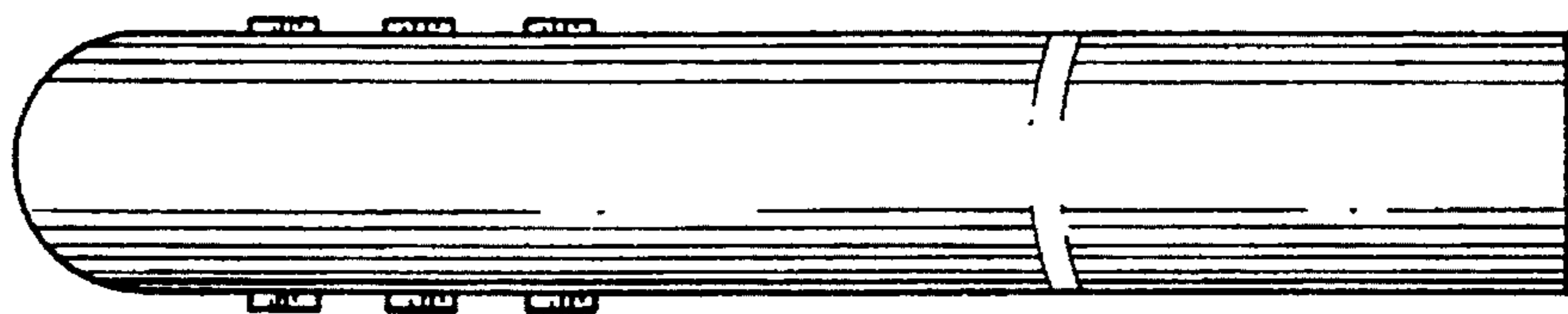


FIG. 6

