



US00D363541S

United States Patent [19]

Cottone, Sr. et al.

[11] Patent Number: **Des. 363,541**

[45] Date of Patent: ****Oct. 24, 1995**

[54] **ROTATING ADAPTER FOR A CATHETER**

5,222,773 6/1993 Boehme 285/93 X

5,281,206 1/1994 Lopez 604/905 X

5,286,067 2/1994 Choksi 285/93 X

[75] Inventors: **Joseph R. Cottone, Sr.**, Marietta;
Anthony J. Cottone, Ball Ground, both
of Ga.

Primary Examiner—Louis S. Zarfaz
Assistant Examiner—I. Simmons
Attorney, Agent, or Firm—Veal & Marsh

[73] Assignee: **Maxxim Medical, Inc.**, Sugar Land,
Tex.

[57] **CLAIM**

[**] Term: **14 Years**

The ornamental design for a rotating adapter for a catheter,
as shown and described.

[21] Appl. No.: **953,588**

DESCRIPTION

[22] Filed: **Sep. 29, 1992**

[52] U.S. Cl. **D24/129**

[58] Field of Search D24/129, 108;
604/29, 283, 905, 256; 285/93, 305, 313,
315, 322

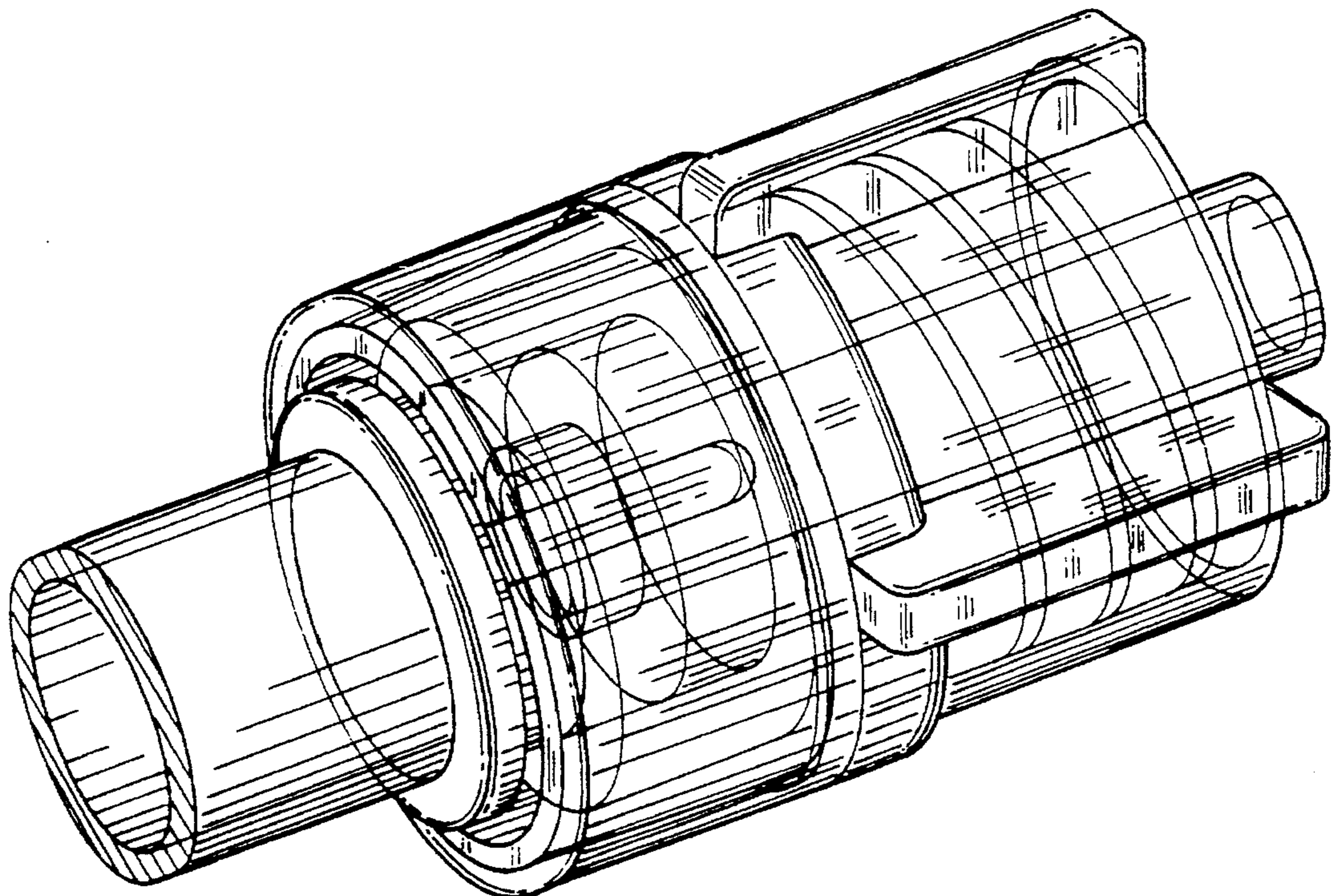
FIG. 1 is a front perspective view of our design;
FIG. 2 is a rear perspective view of our design;
FIG. 3 is a top plan view thereof, with the bottom plan view
being the mirror image thereof;
FIG. 4 is a right side view thereof, with the left side view
being the mirror image thereof;
FIG. 5 is an exploded view thereof, the broken line showing
of the rubber gasket is for illustrative purposes only and
forms no part of the claimed design;
FIG. 6 is a front end view thereof;
FIG. 7 is a rear end view thereof.

[56] **References Cited**

U.S. PATENT DOCUMENTS

4,254,773	3/1981	Waldbillig .	
4,296,949	10/1981	Muetterties et al.	285/93 X
4,932,114	6/1990	Morse et al. .	
4,994,048	2/1991	Metzger	604/905 X
5,181,508	1/1993	Poole, Jr.	D24/129 X

1 Claim, 4 Drawing Sheets



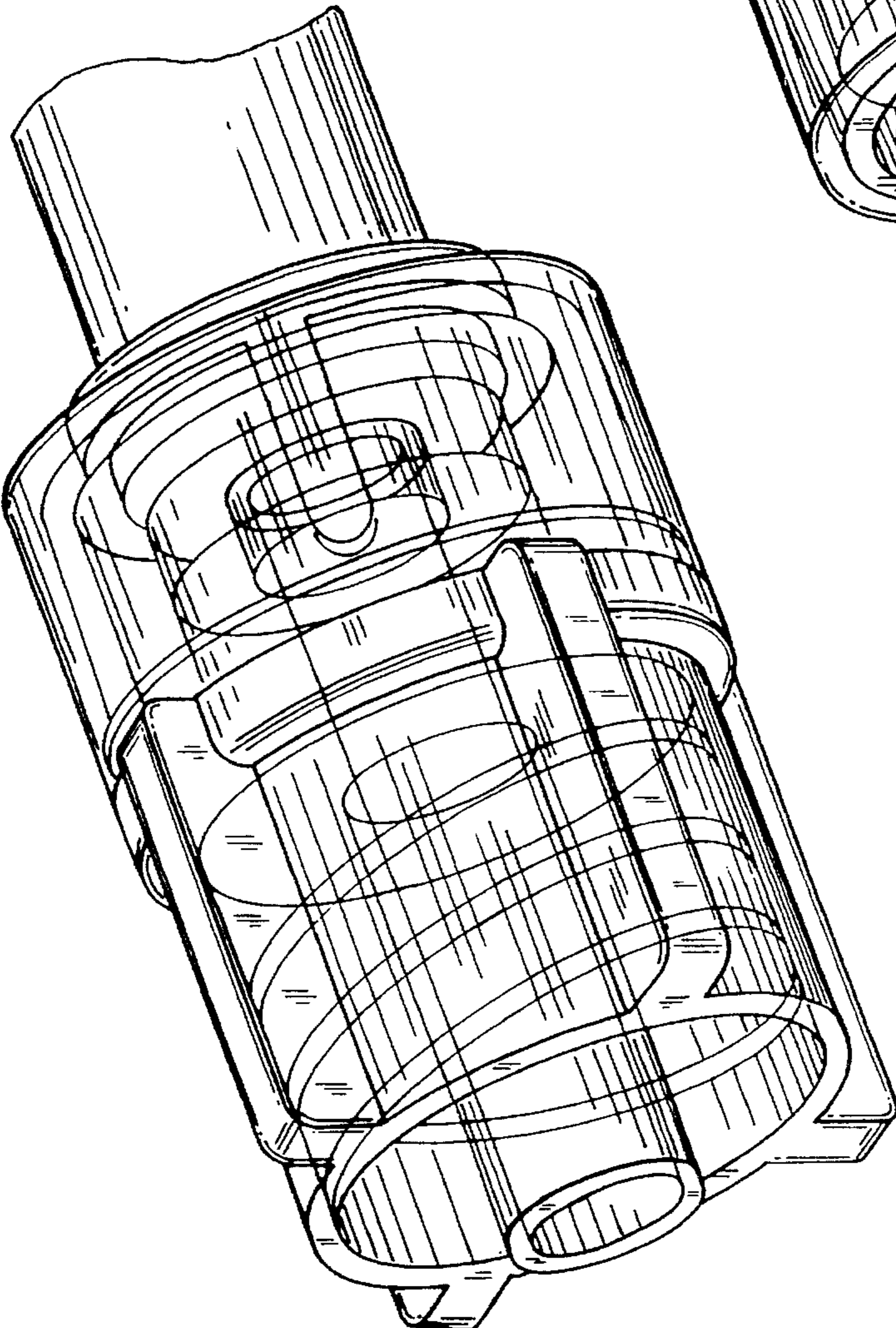


FIG. 1

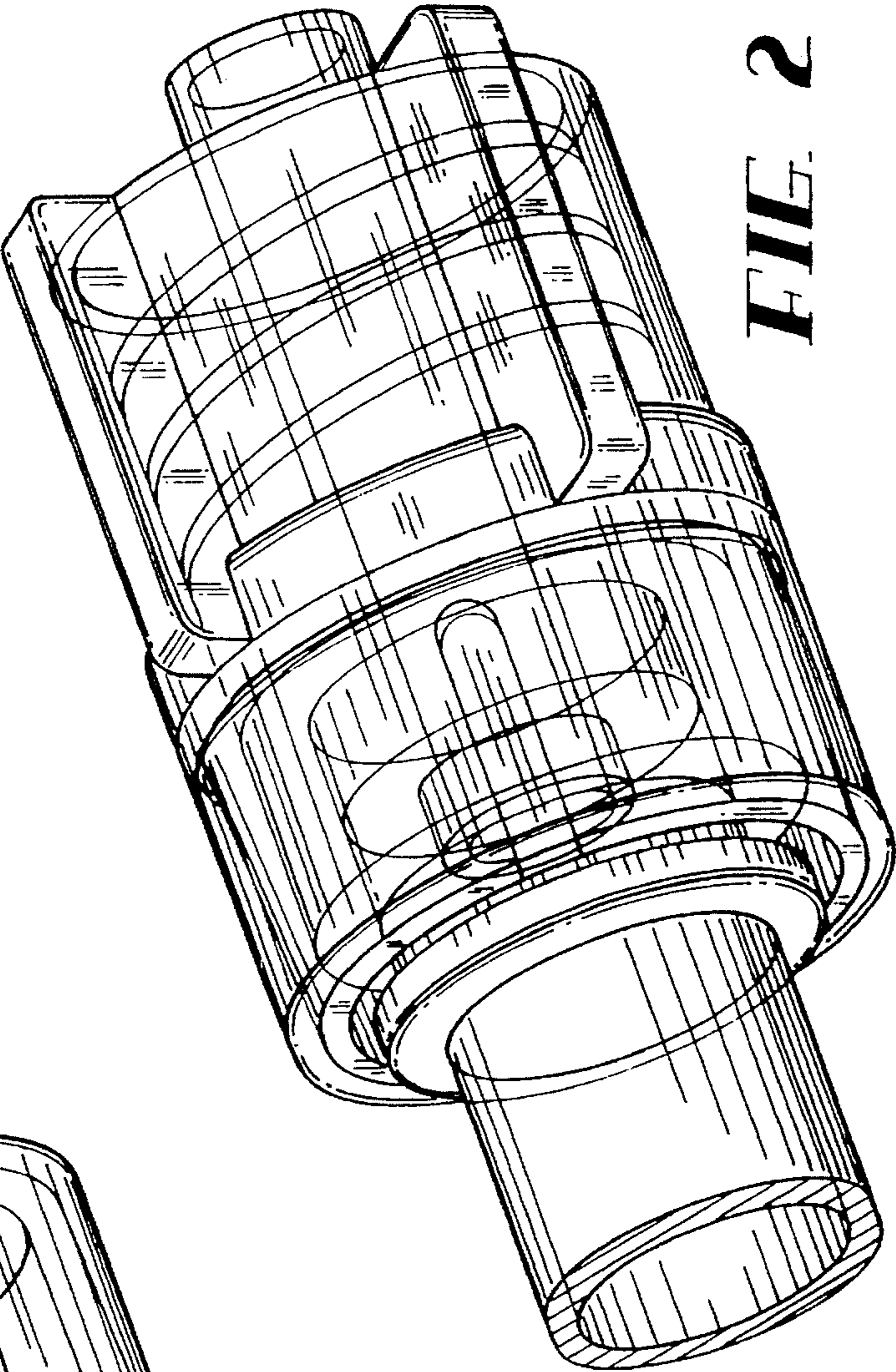


FIG. 2

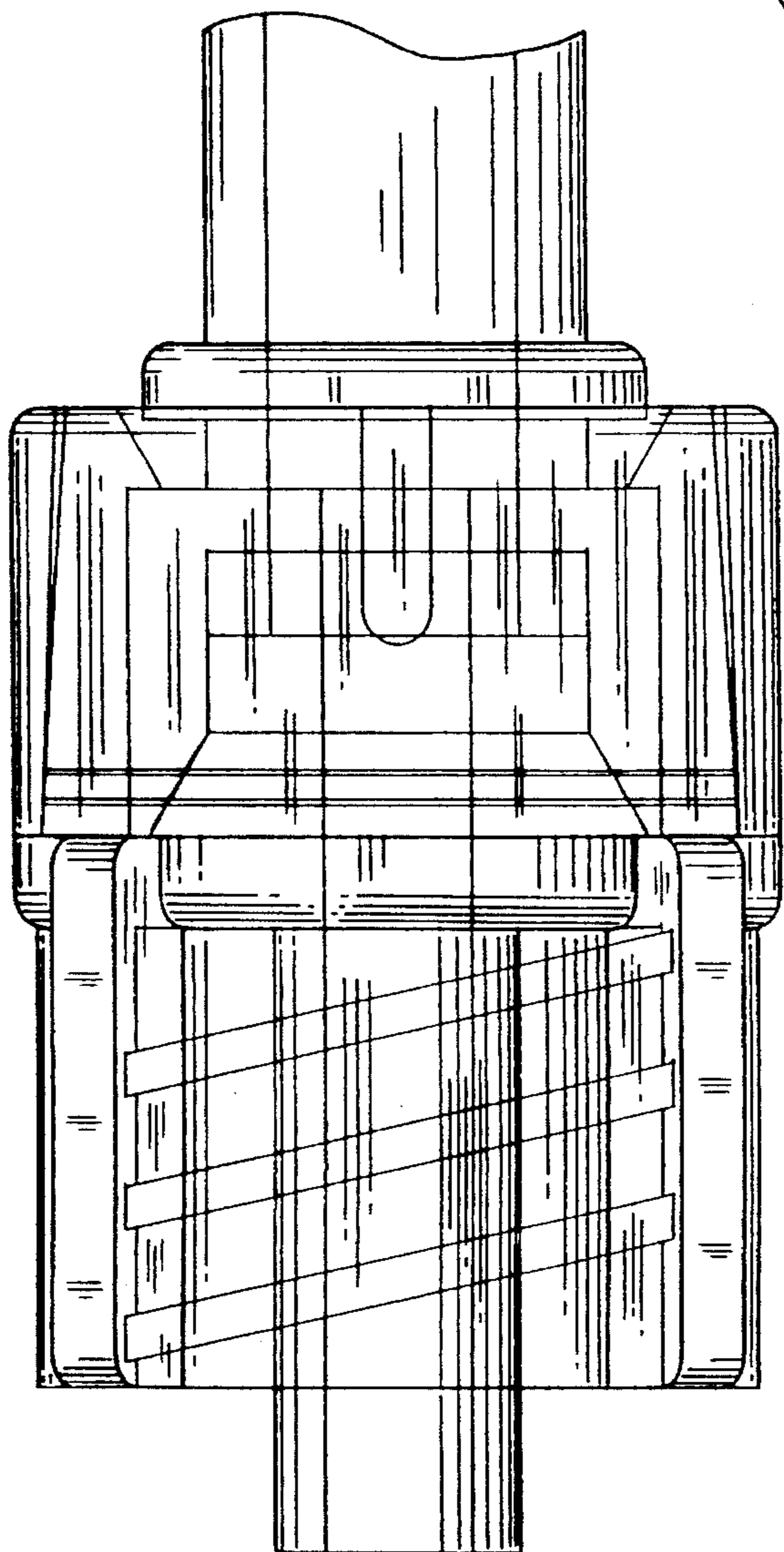


FIG. 3

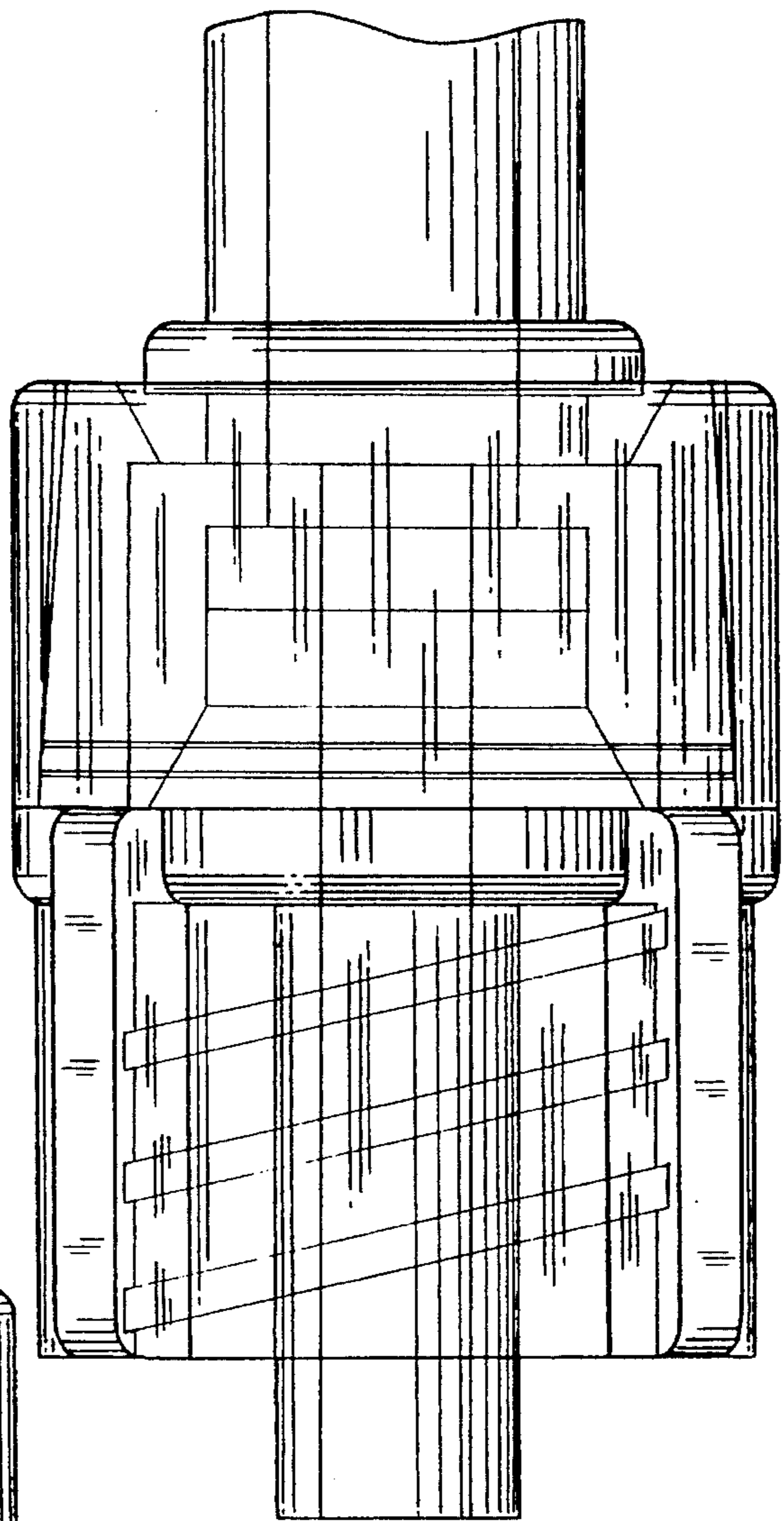
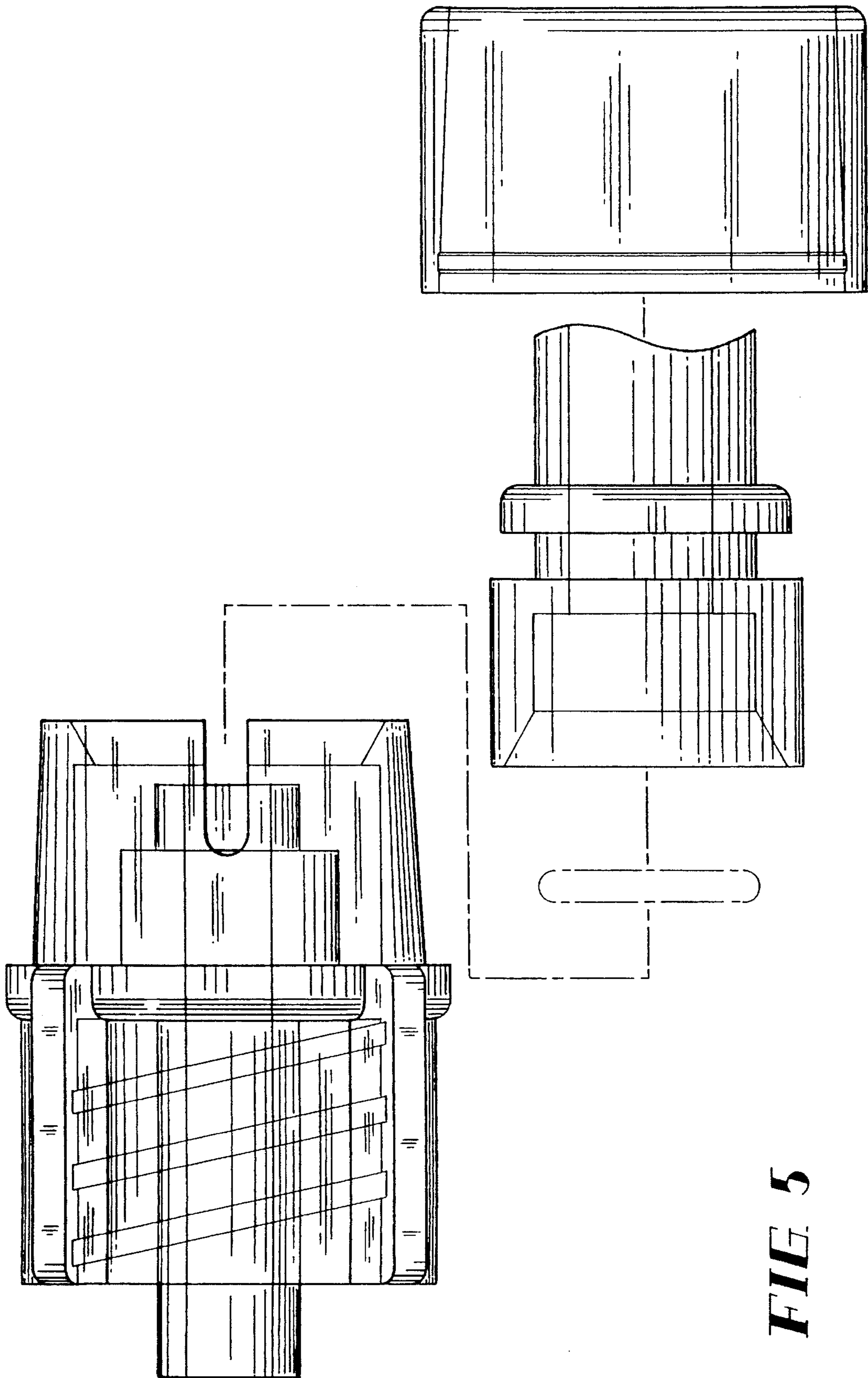


FIG. 4



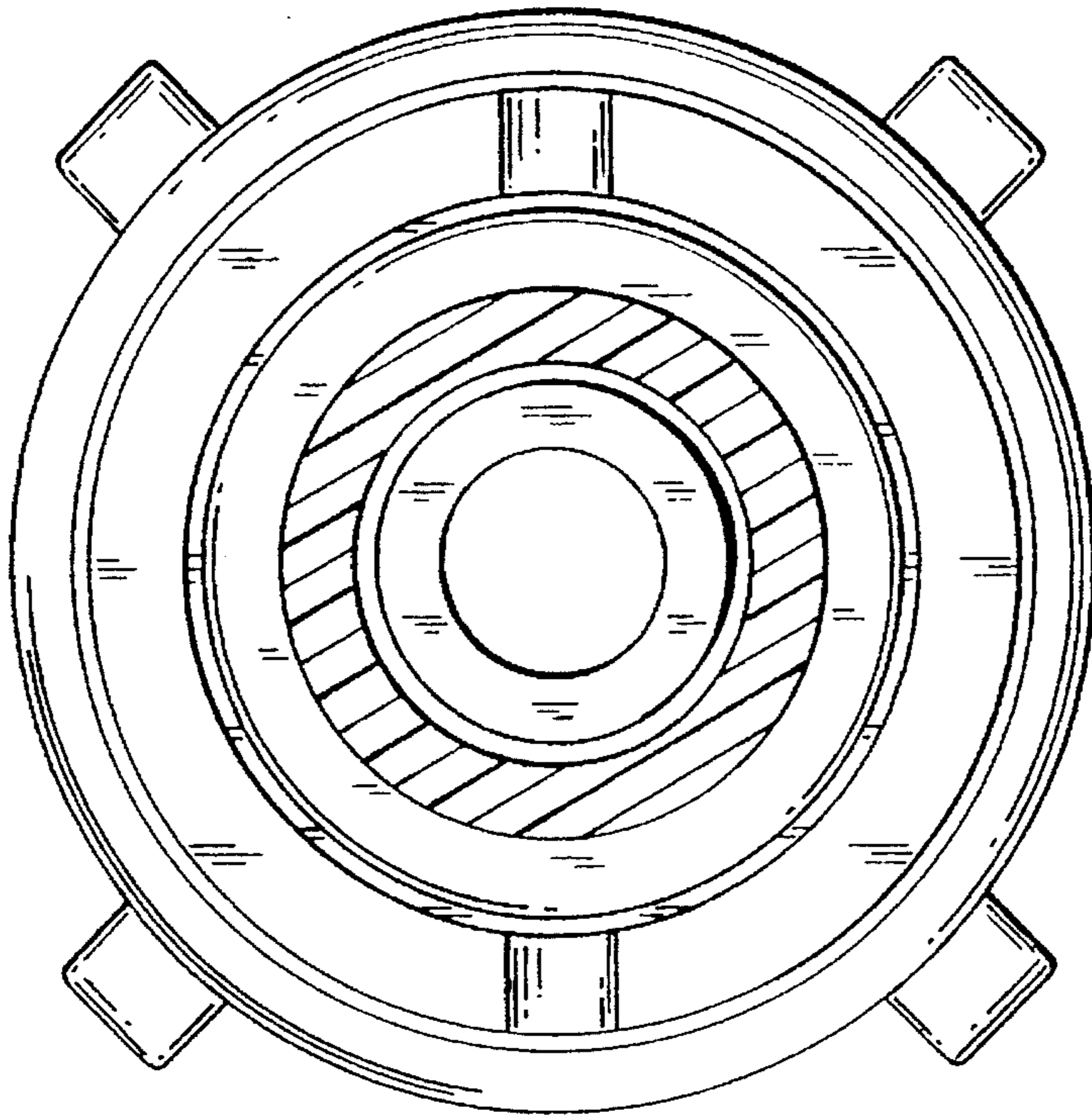


FIG. 7

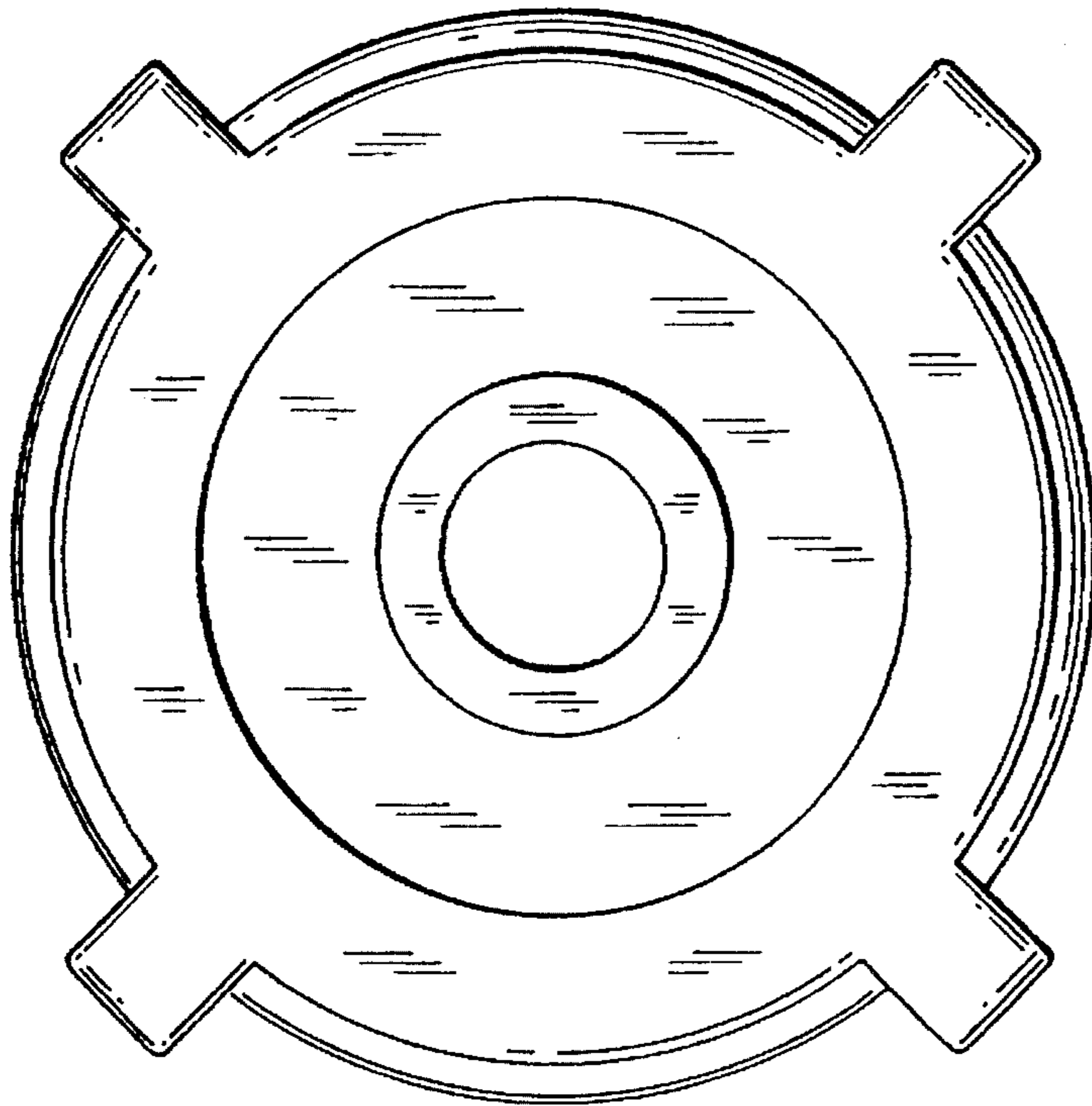


FIG. 6