



US00D363540S

**United States Patent** [19]  
**Yen**

[11] **Patent Number: Des. 363,540**

[45] **Date of Patent: \*\*Oct. 24, 1995**

[54] **CEILING FAN HOUSING**

[75] Inventor: **Robert Yen**, Taipei, Taiwan

[73] Assignee: **Fanbird, Inc.**, Taipei, Taiwan

[\*\*] Term: **14 Years**

[21] Appl. No.: **31,078**

[22] Filed: **Nov. 17, 1994**

[52] U.S. Cl. .... **D23/411; D23/377; D23/379; D26/80**

[58] **Field of Search** ..... **D23/411, 377, D23/379, 385; D26/80, 134, 81-86, 59, 51, 72, 128, 129, 134, 130, 131; 416/5; 362/96; 392/364; D7/560, 561, 562**

**OTHER PUBLICATIONS**

Beverly Hills Fan Co. Adv. Flyer, Ceiling Fan A.  
Winnower World Wide, Inc. Cat., ©1987, p. 39, Ceiling Fan  
Light Globe B, bottom left side of page.

*Primary Examiner*—Lisa P. Lichtenstein

*Attorney, Agent, or Firm*—Knobbe, Martens Olson & Bear

[57] **CLAIM**

The ornamental design for a ceiling fan housing, as shown and described.

**DESCRIPTION**

FIG. 1 is a perspective view of the ceiling fan housing of this invention;

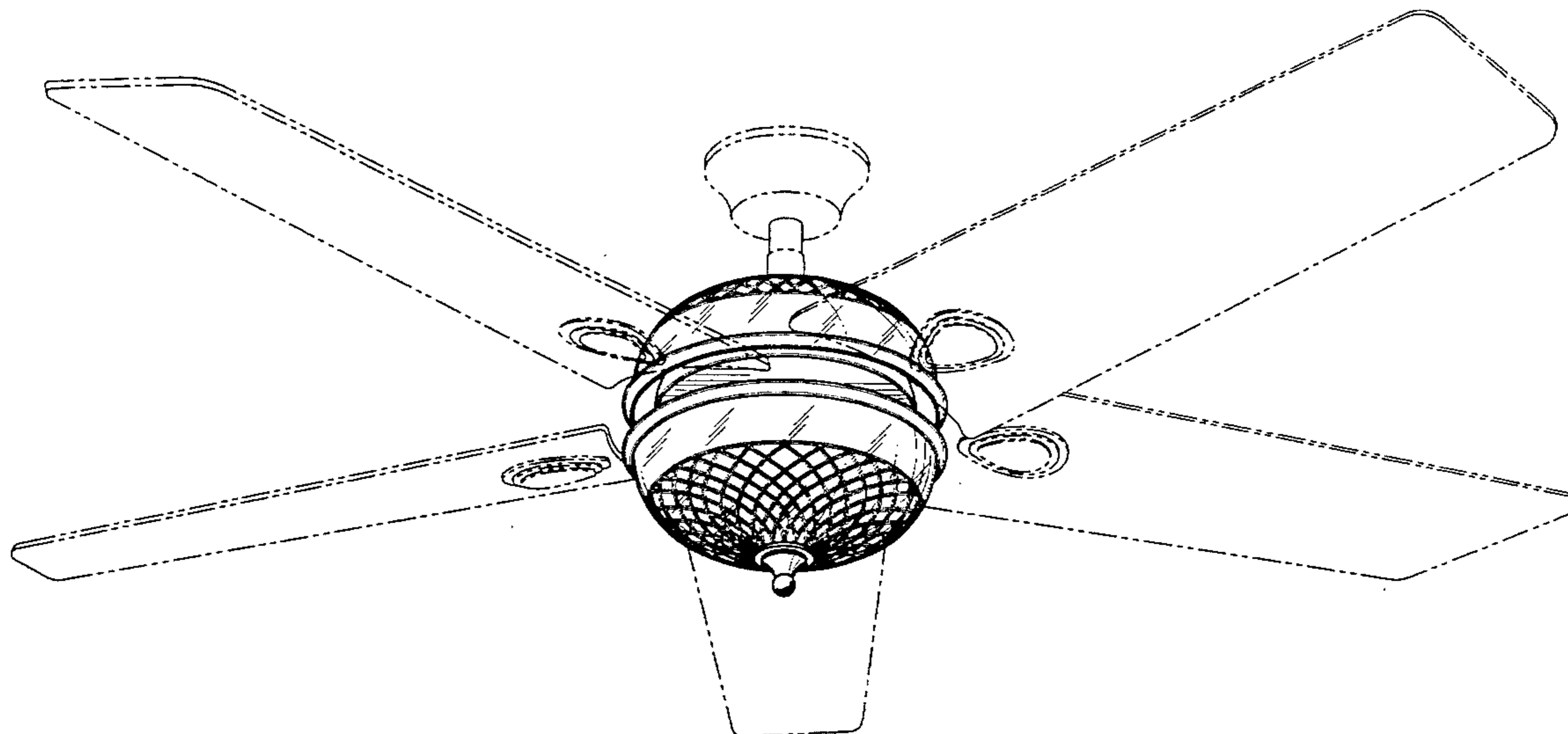
FIG. 2 is an enlarged plan right side view of the ceiling fan housing of FIG. 1, with the left side view being the same as the right side view, and with the front and back views being the same as the right side view of FIG. 2;

FIG. 3 is an enlarged top plan view of the ceiling fan housing of FIG. 1; and,

FIG. 4 is an enlarged bottom plan view of the ceiling fan housing of FIG. 1.

The broken line showing of environmental structure in FIGS. 1, 3, and 4 is for illustrative purposes only and forms no part of the claimed design.

**1 Claim, 4 Drawing Sheets**



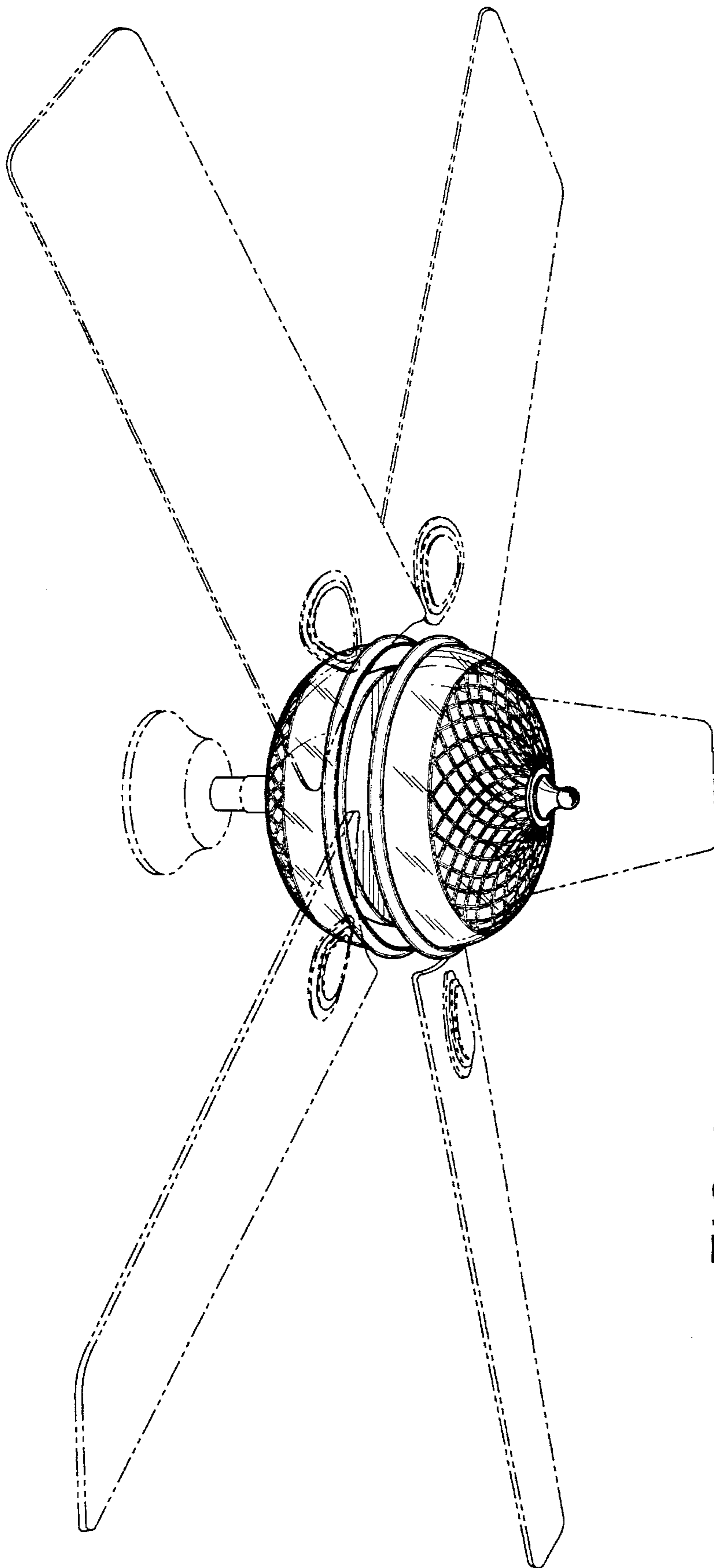


FIG. 1

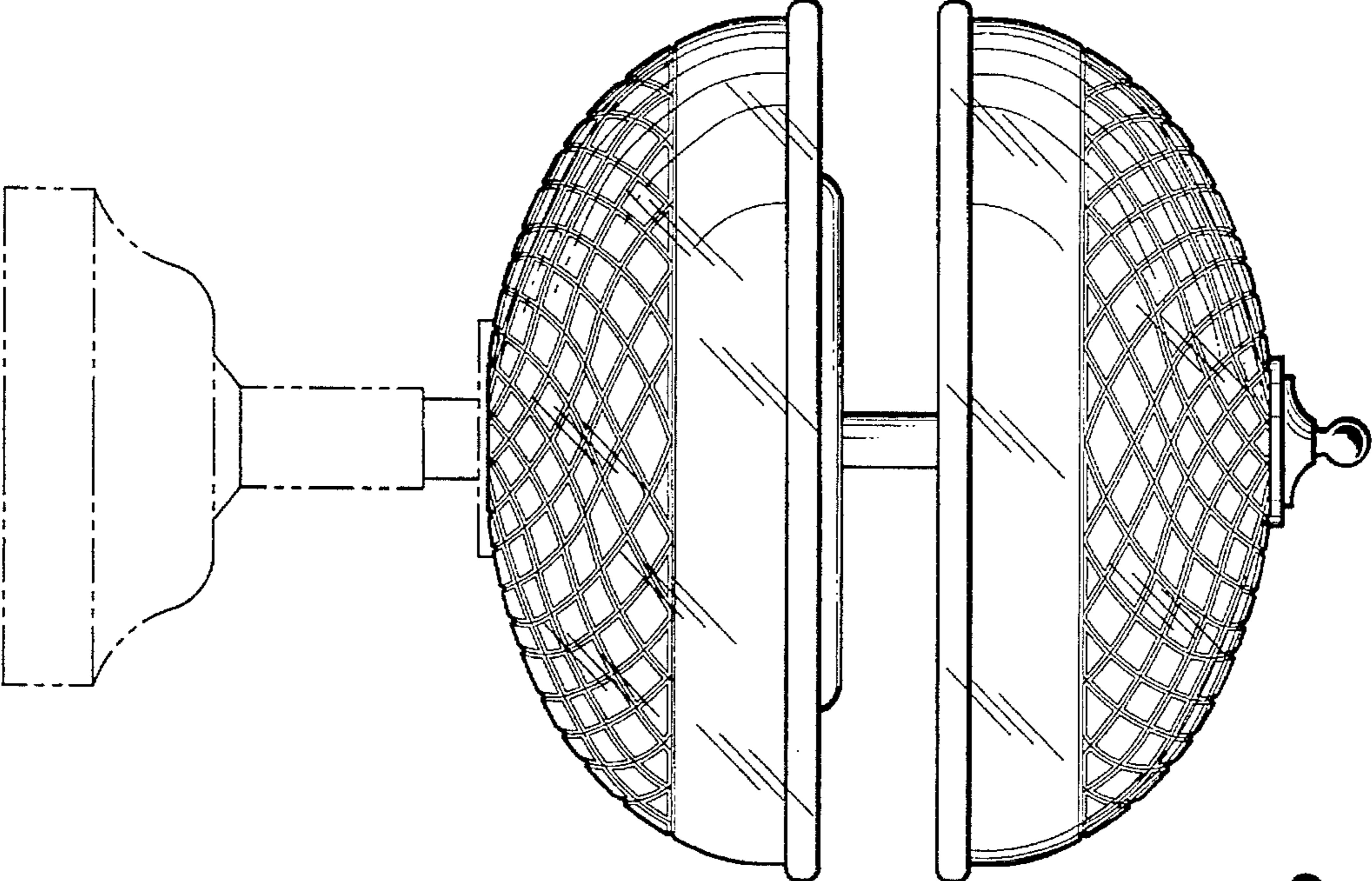


FIG. 2



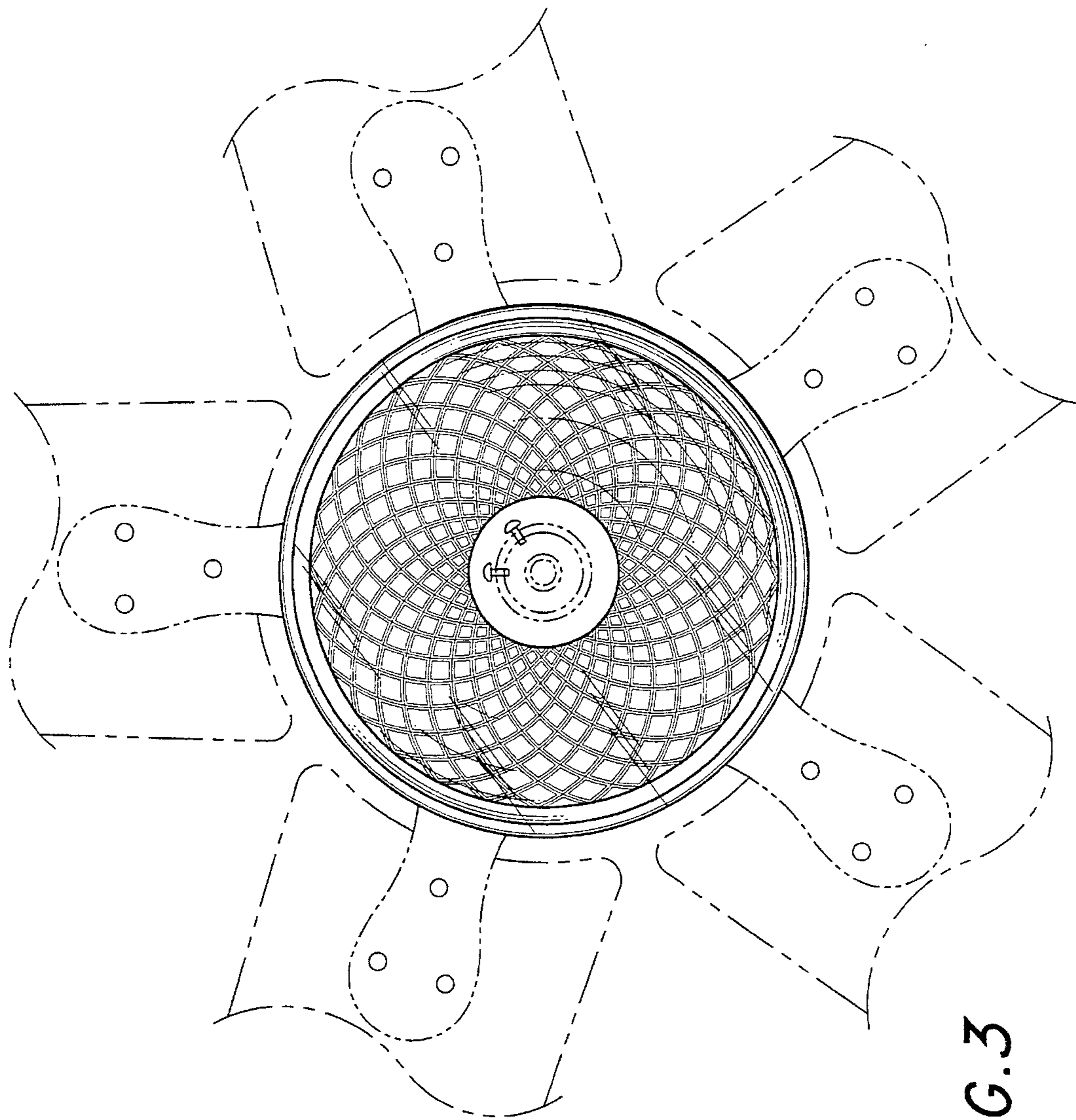


FIG. 3

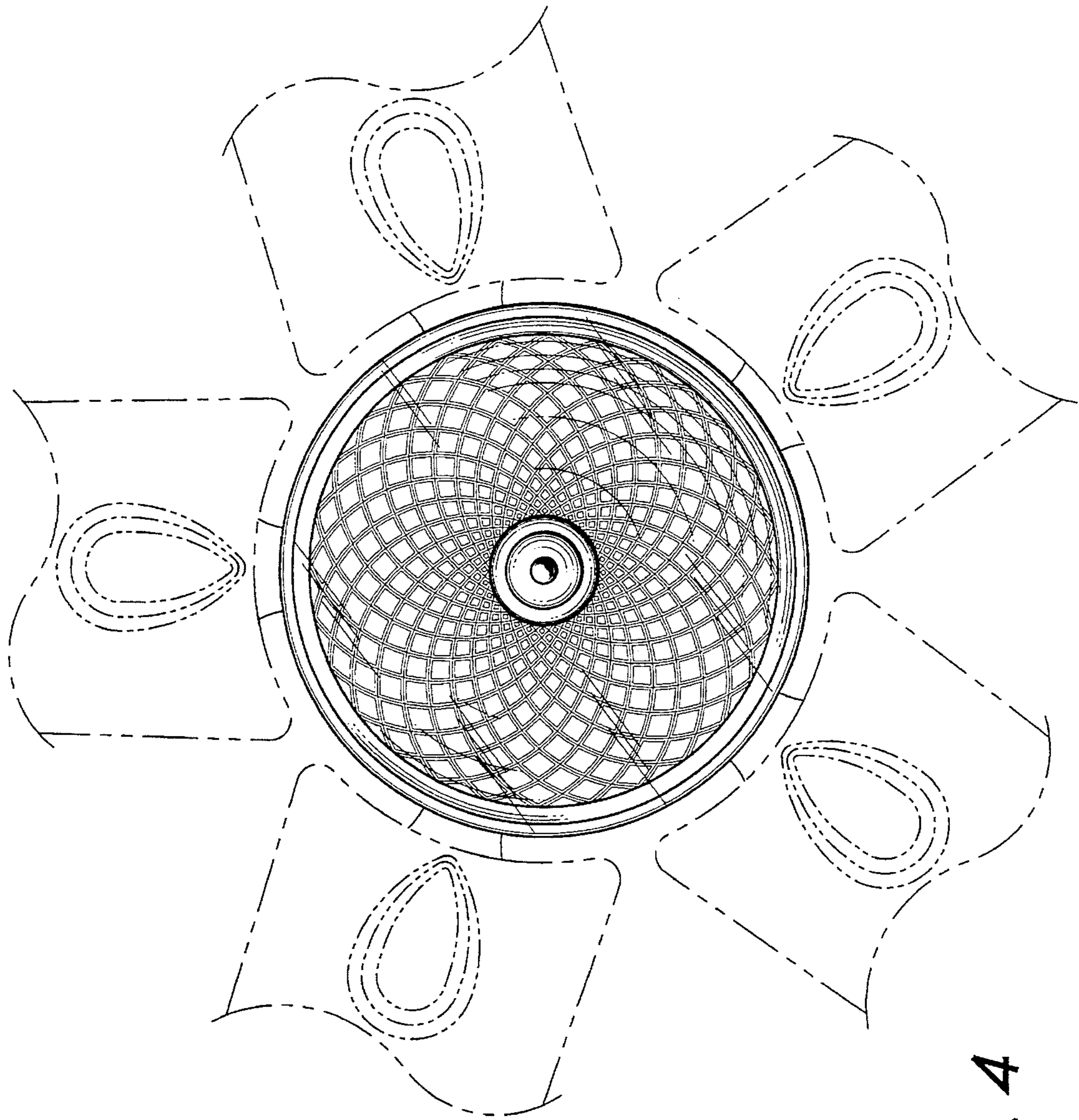


FIG. 4