



US00D363539S

United States Patent [19]

Lawson

[11] Patent Number: **Des. 363,539**

[45] Date of Patent: ****Oct. 24, 1995**

[54] **AIR NOZZLE FORMING PART OF A REFLECTOR FOR INFRARED RADIATION USED IN A PAPER TREATING MACHINE**

4,915,154 4/1990 Persson 162/207
5,020,469 6/1991 Boissevain et al. 162/207

[75] Inventor: **John Lawson**, Vänersborg, Sweden

Primary Examiner—Lisa P. Lichtenstein
Attorney, Agent, or Firm—Davis, Bujold & Streck

[73] Assignee: **Infrarodteknik AB**, Sweden

[57] **CLAIM**

[**] Term: **14 Years**

The ornamental design for an air nozzle forming part of a reflector for infrared radiation used in a paper treating machine, as shown.

[21] Appl. No.: **6,916**

DESCRIPTION

[22] Filed: **Apr. 9, 1993**

[30] **Foreign Application Priority Data**

FIG. 1 is a front elevational view of an air nozzle forming part of a reflector for infrared radiation used in a paper treating machine;
FIG. 2 is a left side elevational view thereof;
FIG. 3 is a right side elevational view thereof;
FIG. 4 is a top plan view thereof;
FIG. 5 is a rear elevational view thereof;
FIG. 6 is a bottom plan view thereof; and,
FIG. 7 is a front, top left side perspective view thereof.

Oct. 14, 1992 [DK] Denmark MA 1022 1992

[52] U.S. Cl. **D23/387**; D23/386

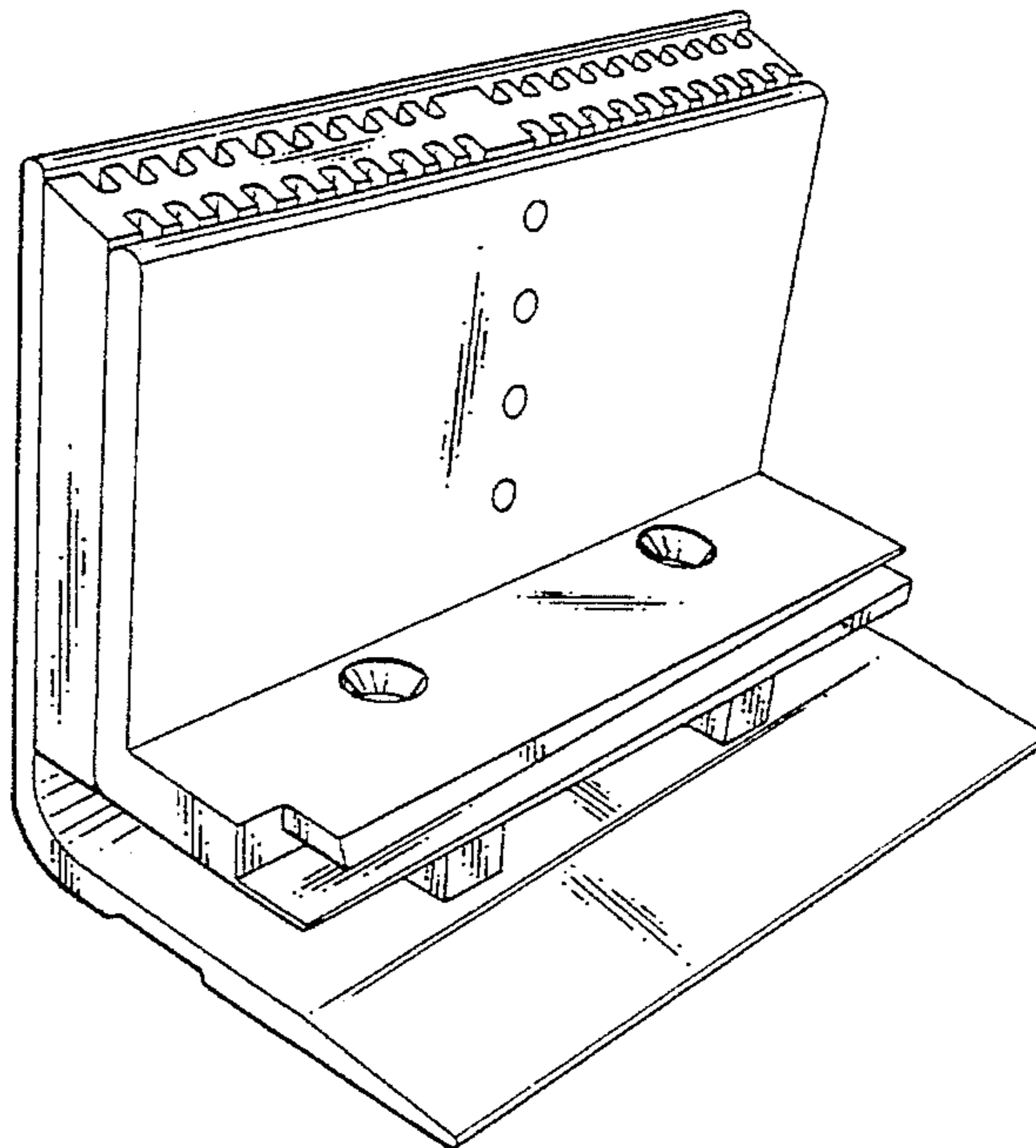
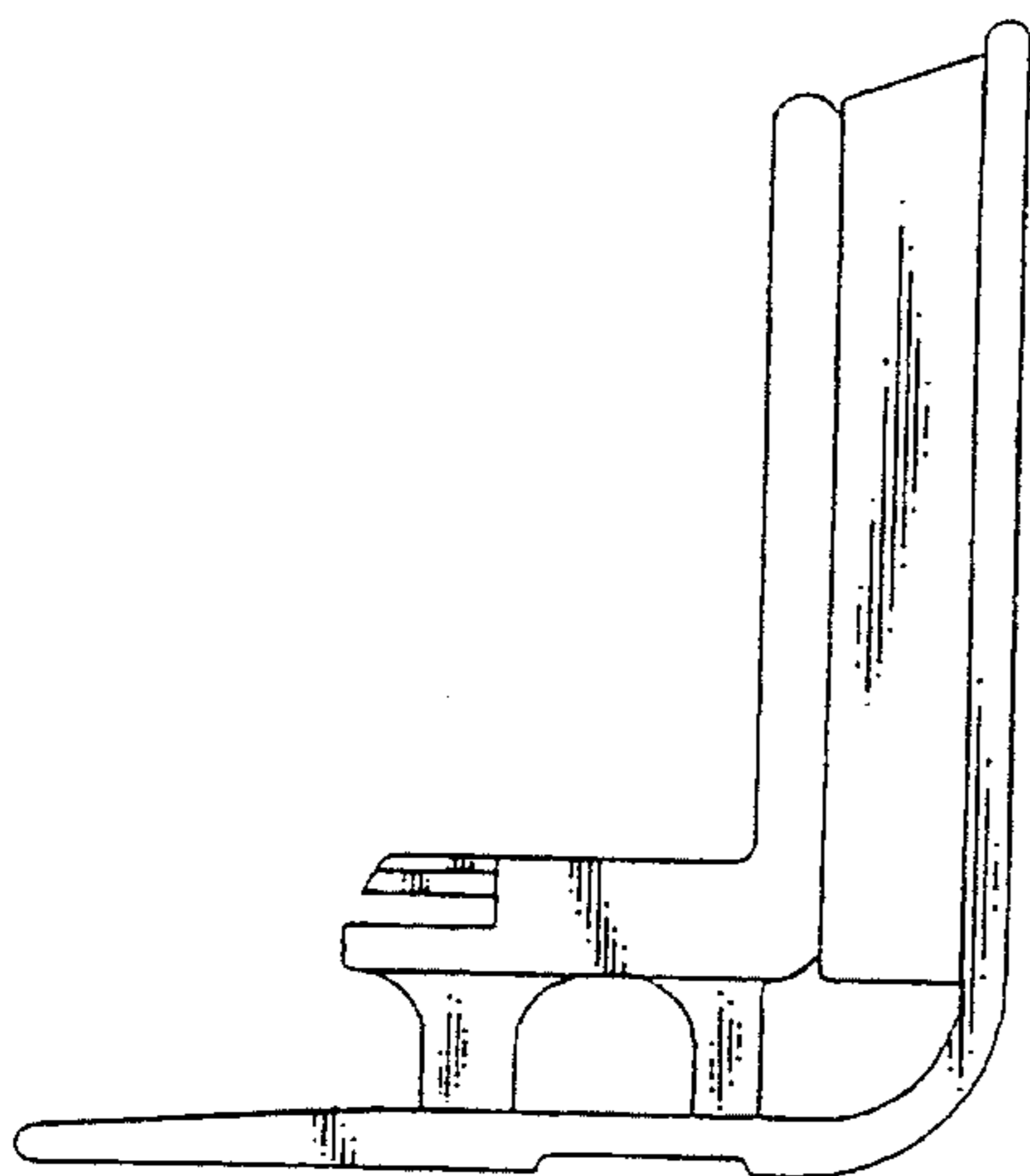
[58] Field of Search D23/386, 387;
162/207, 290, 375; 34/273, 419, 420, 421

[56] **References Cited**

U.S. PATENT DOCUMENTS

1,560,589 11/1925 Andrews et al. 34/421

1 Claim, 6 Drawing Sheets



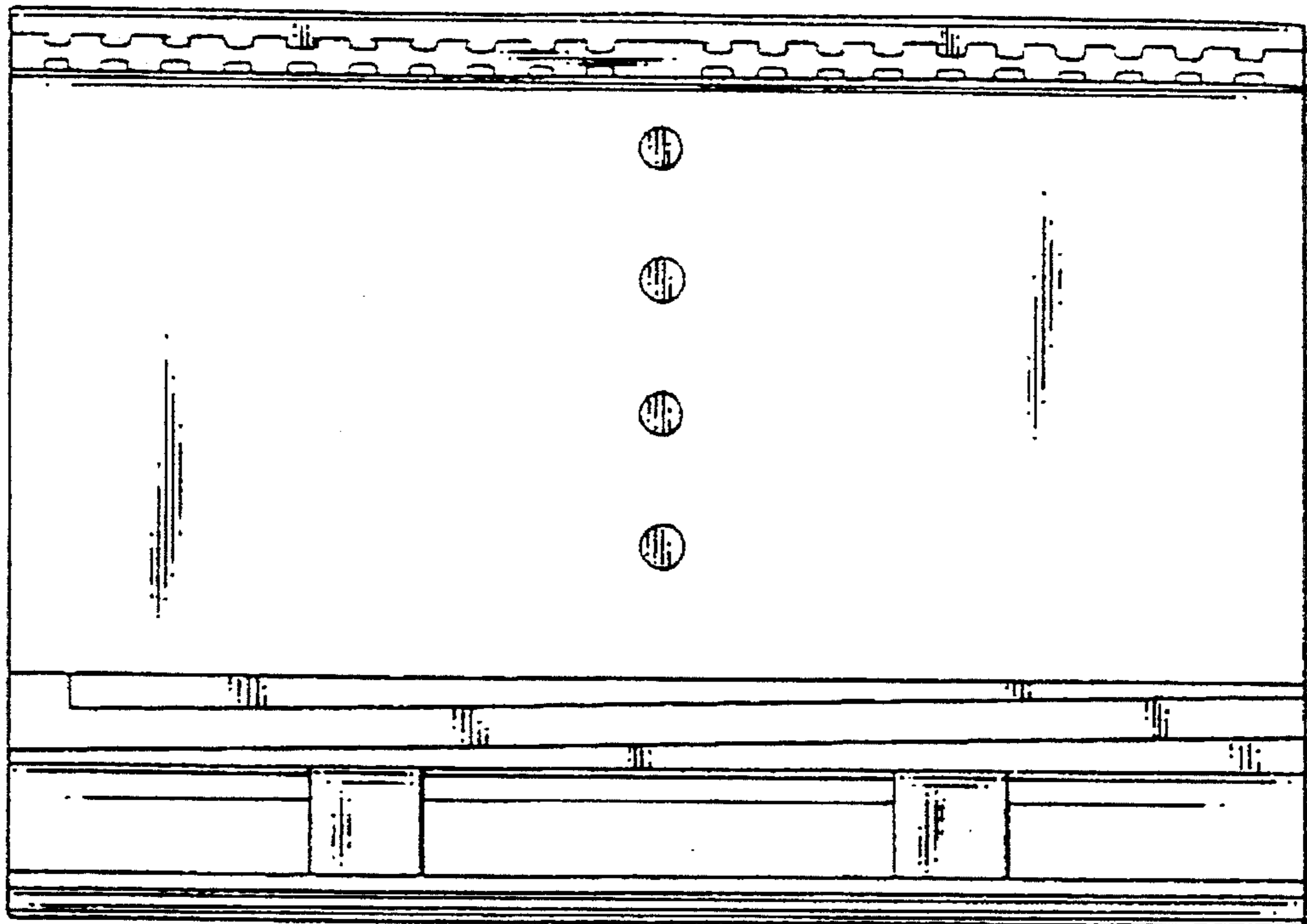


FIG. 1

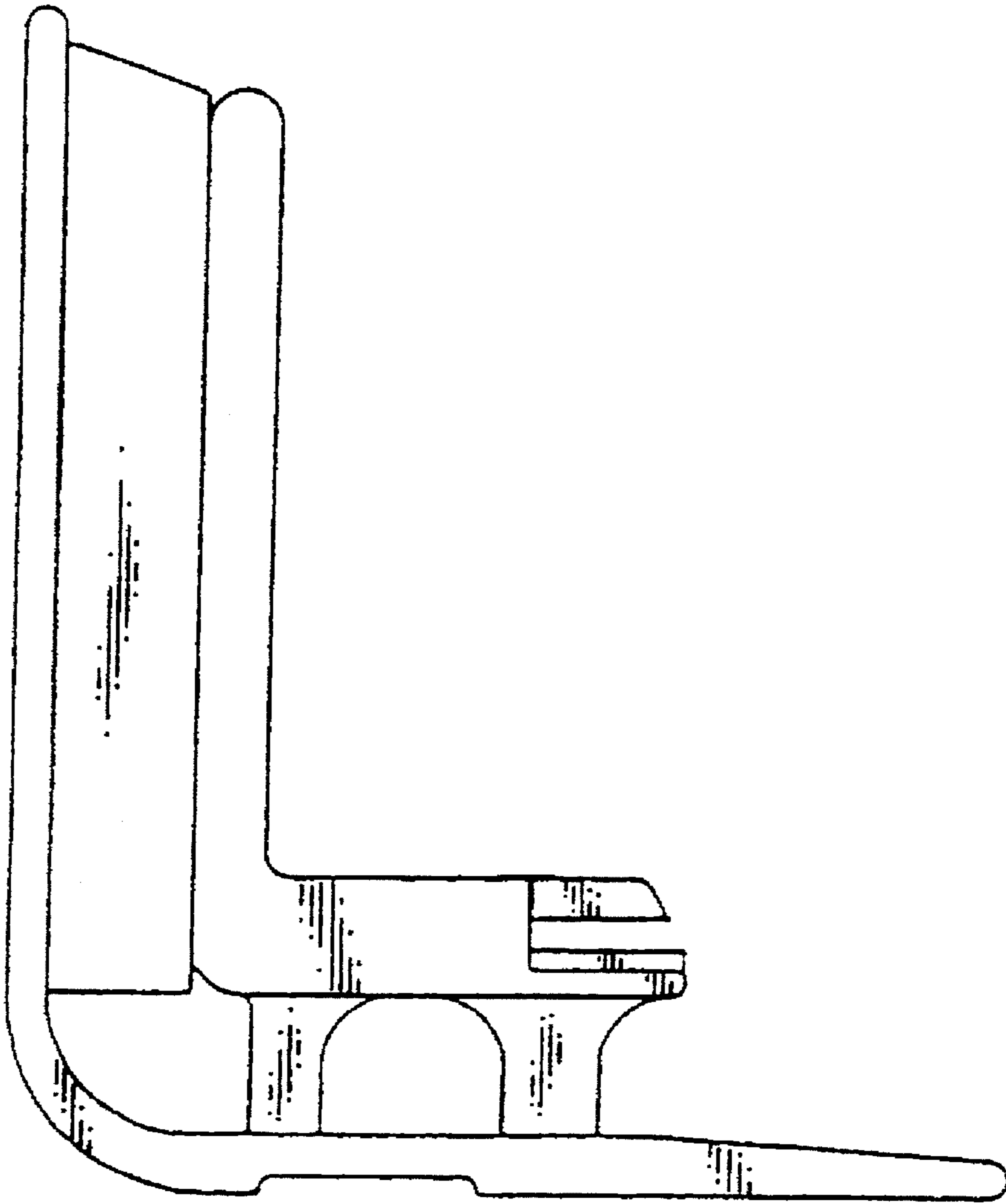


FIG. 2

FIG. 4

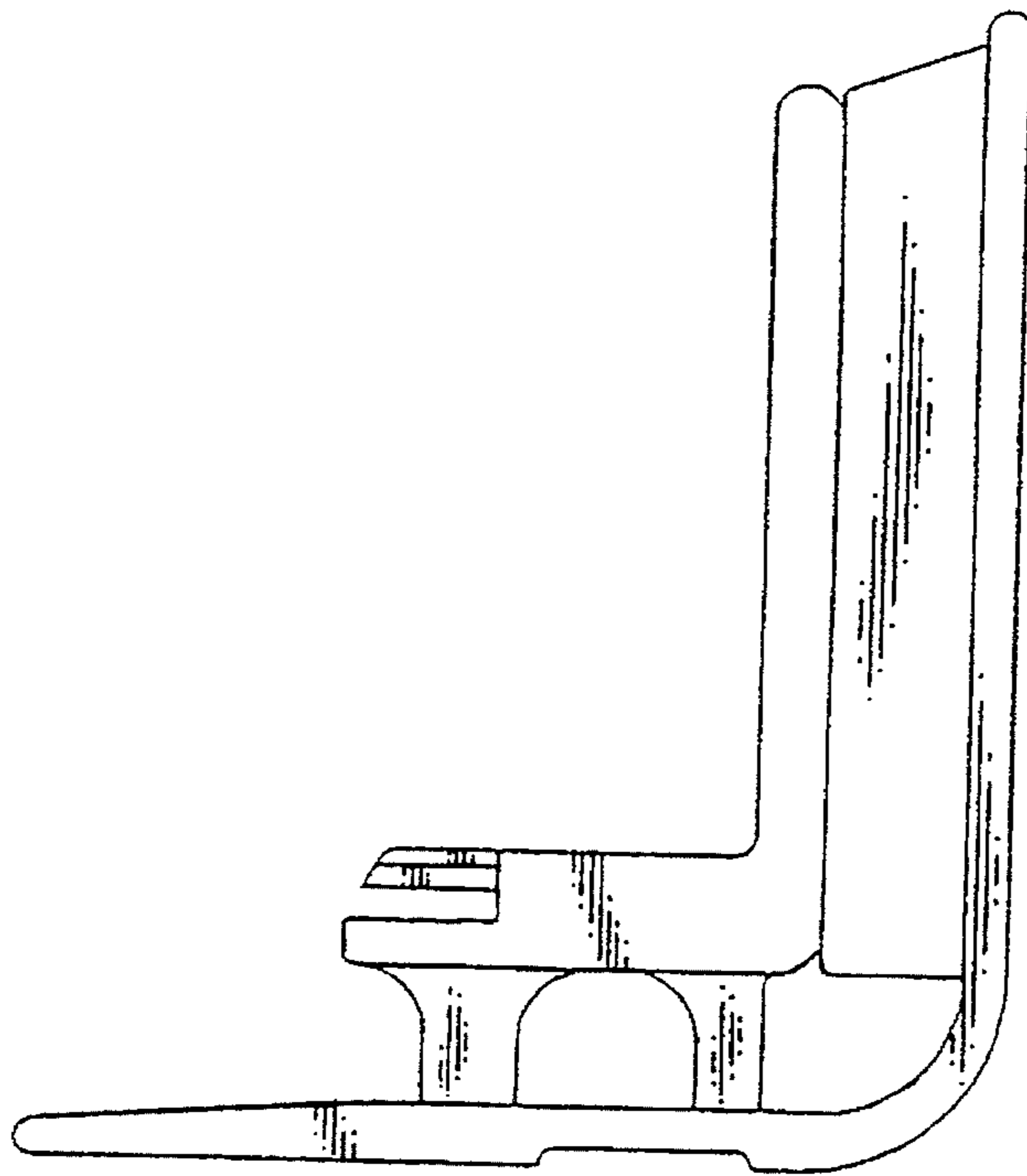
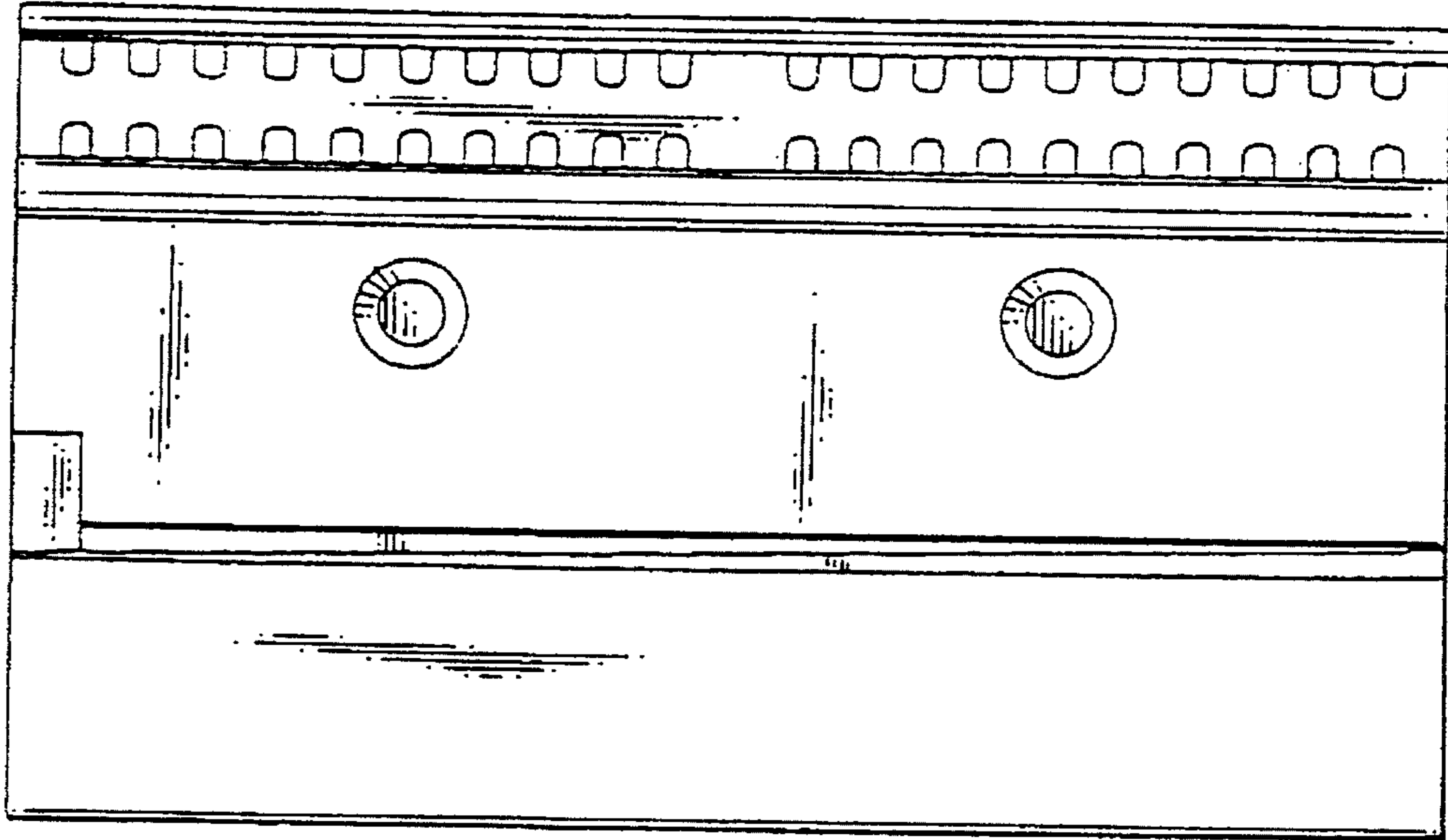


FIG. 3

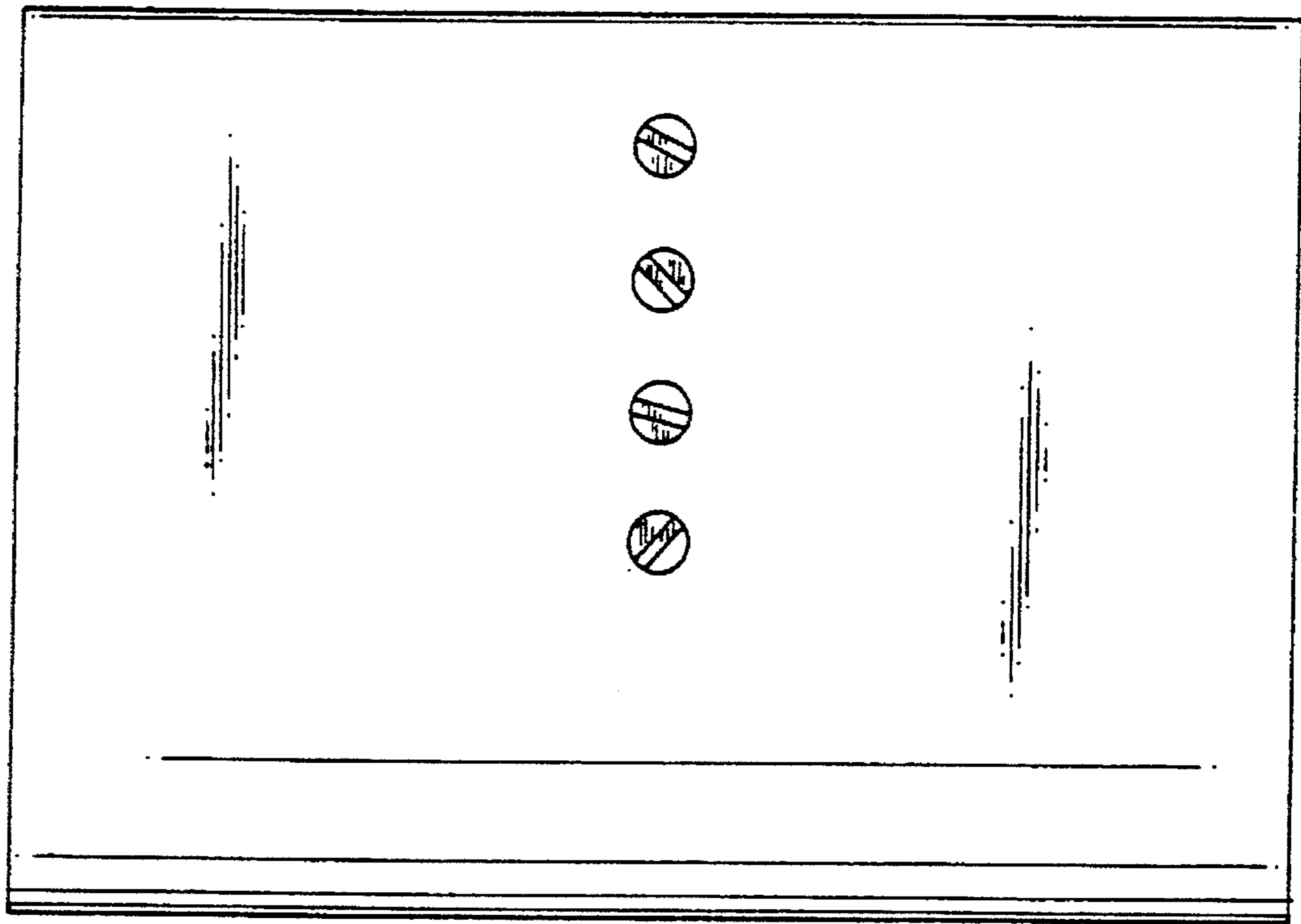


FIG. 5

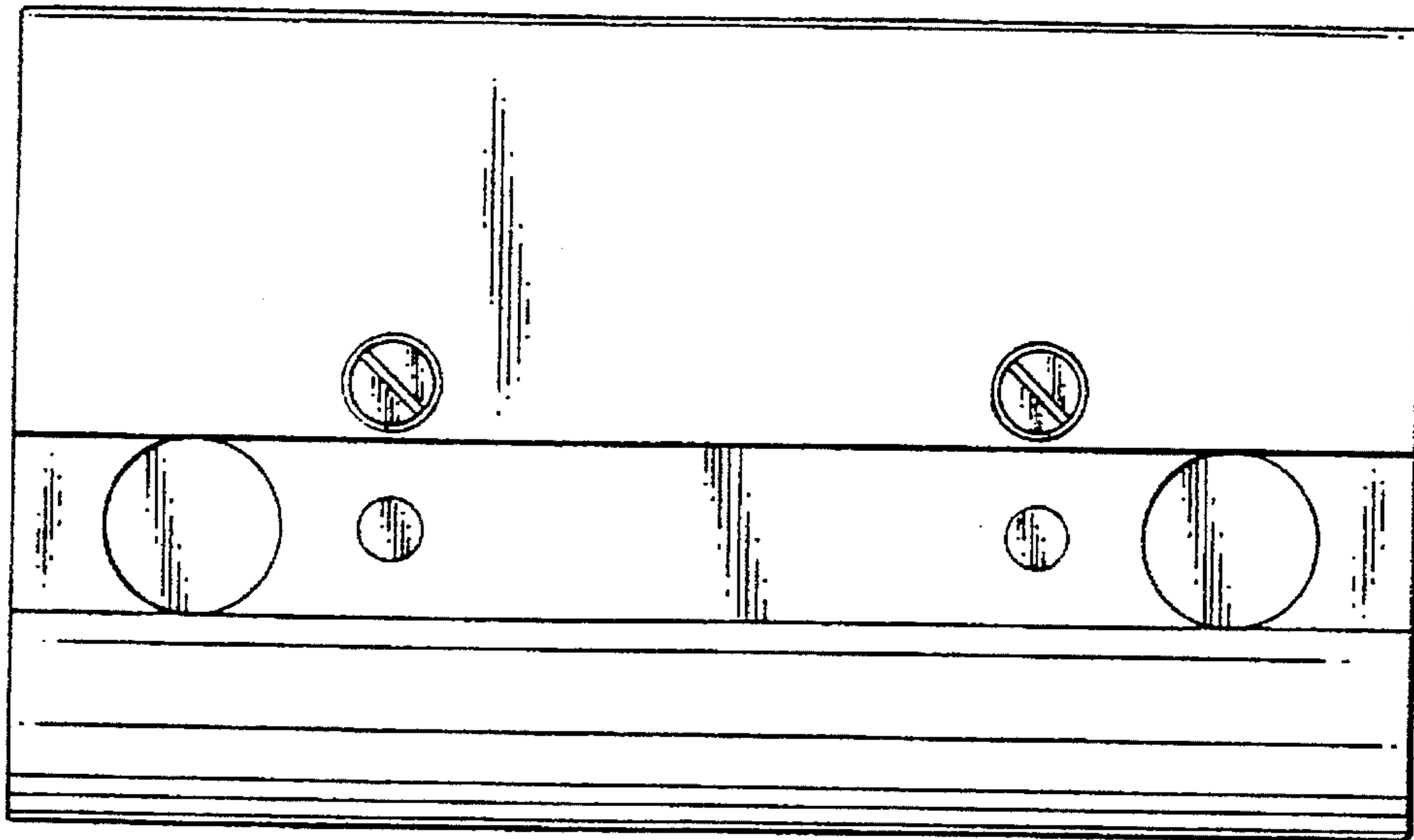


FIG. 6

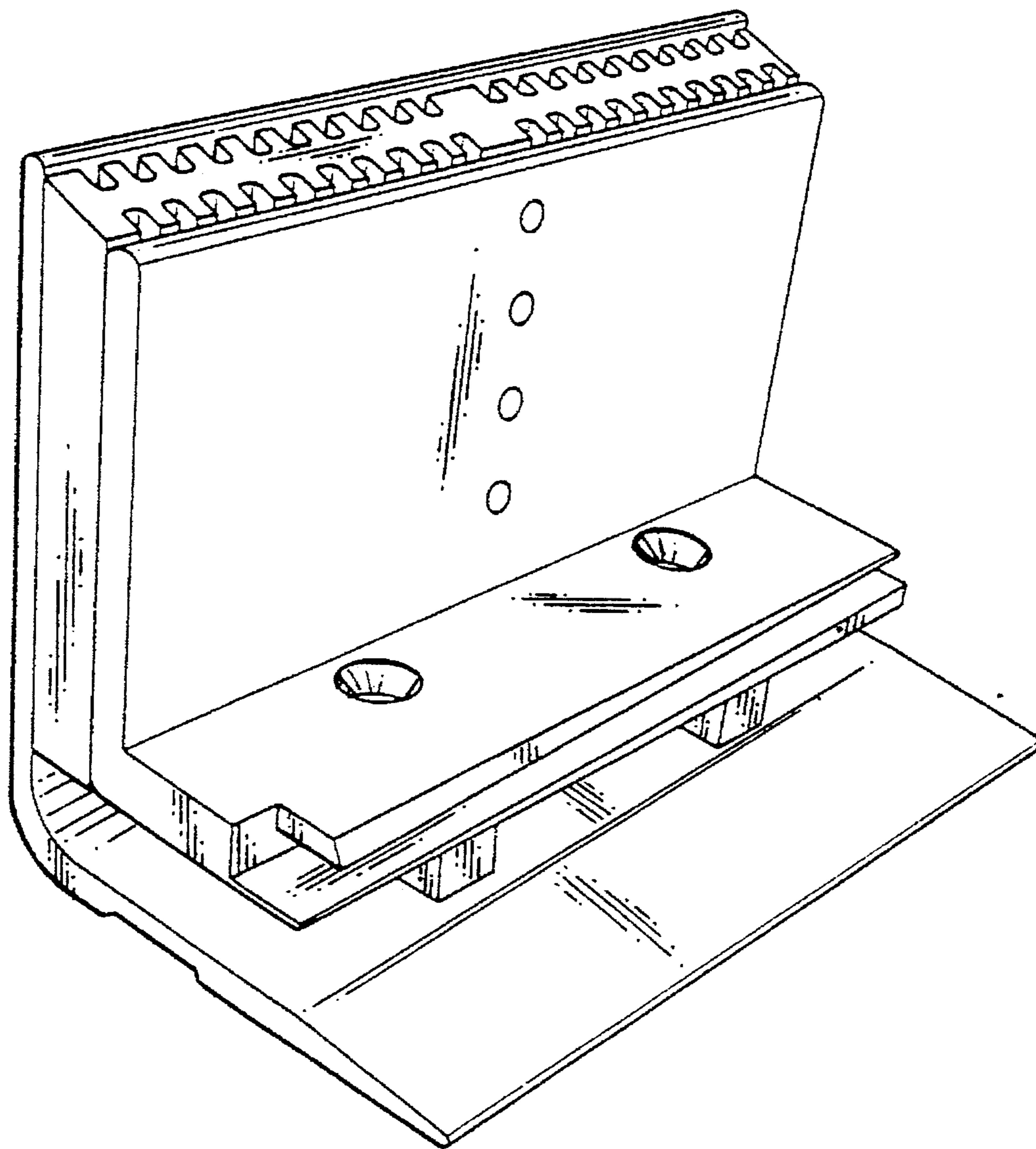


FIG. 7