



US00D363537S

# United States Patent [19]

[11] Patent Number: **Des. 363,537**

**Moody**

[45] Date of Patent: **\*\*Oct. 24, 1995**

[54] **SCENTED DECORATIVE RING FOR LAMPS**

[75] Inventor: **Carl T. Moody**, Little Rock, Ark.

[73] Assignee: **Arkansas Decorative Ceramics, Inc.**,  
Little Rock, Ark.

[\*\*] Term: **14 Years**

[21] Appl. No.: **22,131**

[22] Filed: **May 2, 1994**

[52] U.S. Cl. .... **D23/367**; D6/300; D6/303;  
D11/103; D11/133; D26/113

[58] Field of Search ..... D26/73, 95, 99,  
D26/125, 127, 118, 47, 113; 362/806, 96;  
D11/133, 56, 80, 103; D23/366, 367; D6/300,  
303, 304, 305; 239/36, 53, 54, 55; 422/120,  
123, 125

[56] **References Cited**

**U.S. PATENT DOCUMENTS**

D. 39,372	6/1908	Staderman	.....	D6/304
D. 86,765	4/1932	Cramer	.....	D6/305
D. 139,353	11/1944	Silson	.....	D11/56
D. 255,265	6/1980	Butcher et al.	.....	D23/367

D. 344,582	2/1944	Williams	.....	D23/367
2,207,889	7/1940	Kingman	.....	422/125 X
4,009,384	2/1977	Holland	.....	422/123 X
4,493,011	1/1985	Spector	.....	362/96
4,647,433	3/1987	Spector	.....	362/96 X
4,744,514	5/1988	Gadoua	.....	239/36

*Primary Examiner*—Susan J. Lucas  
*Attorney, Agent, or Firm*—Stephen D. Carver; Trent C. Keisling

[57] **CLAIM**

The ornamental design for a scented decorative ring for lamps, as shown and described.

**DESCRIPTION**

FIG. 1 is a front perspective view of my scented decorative ring for lamps;  
FIG. 2 is a rear perspective view thereof;  
FIG. 3 is a top plan view thereof;  
FIG. 4 is a bottom plan view thereof;  
FIG. 5 is a right side elevational view, the opposite side comprising a mirror image;  
FIG. 6 is a top end view thereof; and,  
FIG. 7 is a bottom end view thereof.

**1 Claim, 2 Drawing Sheets**

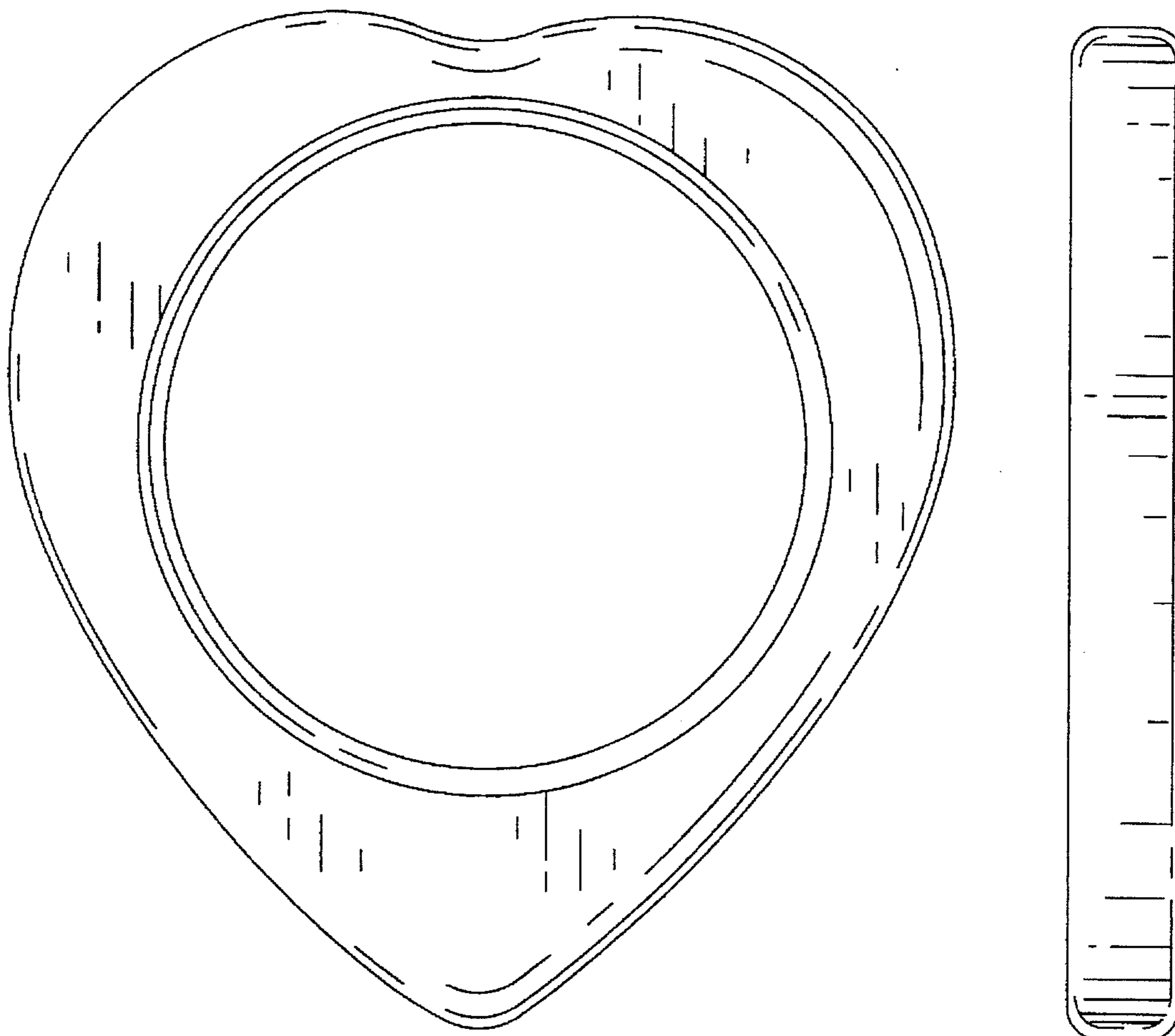


FIG. 1

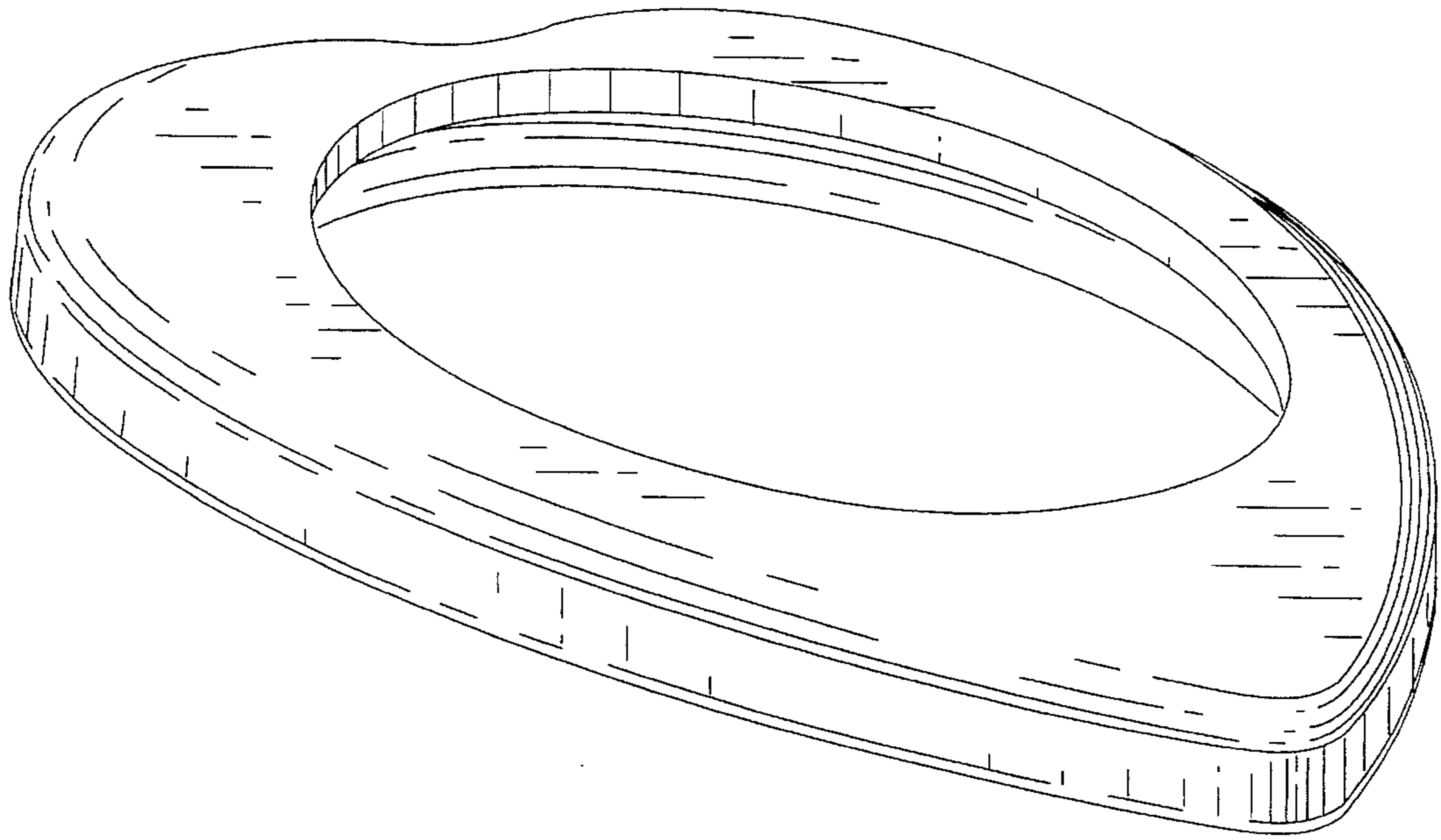


FIG. 2

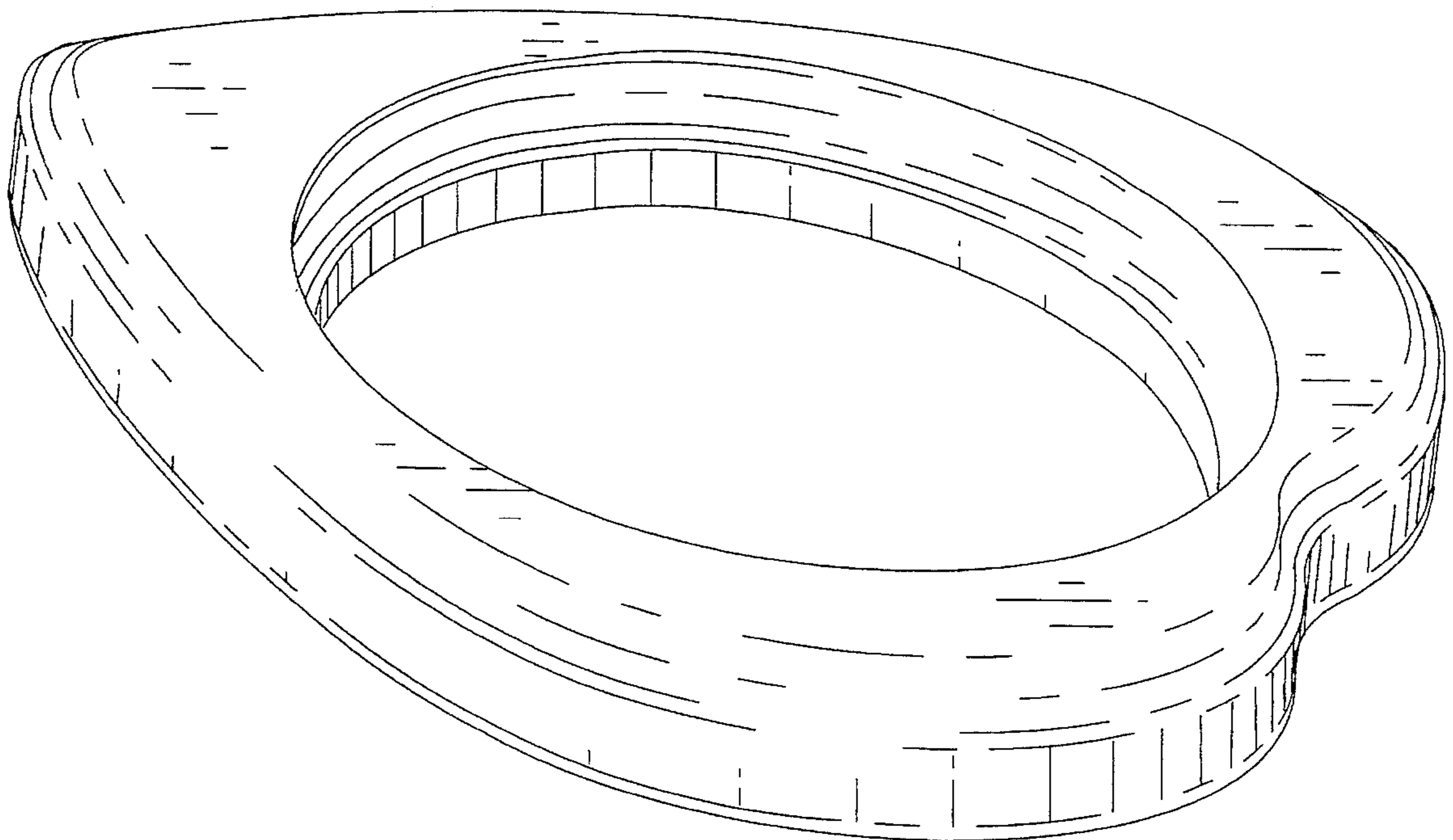


FIG. 3

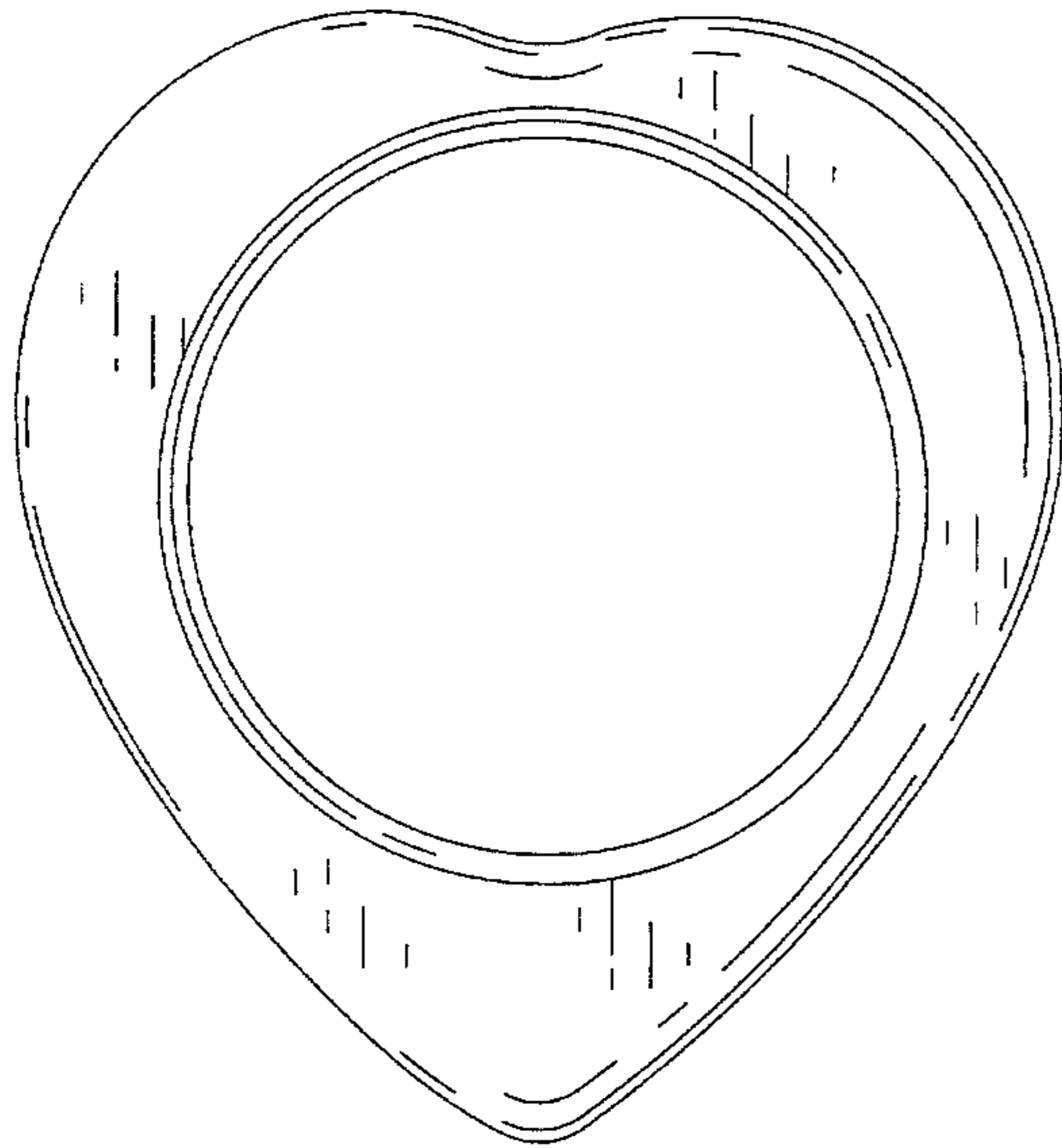


FIG. 4

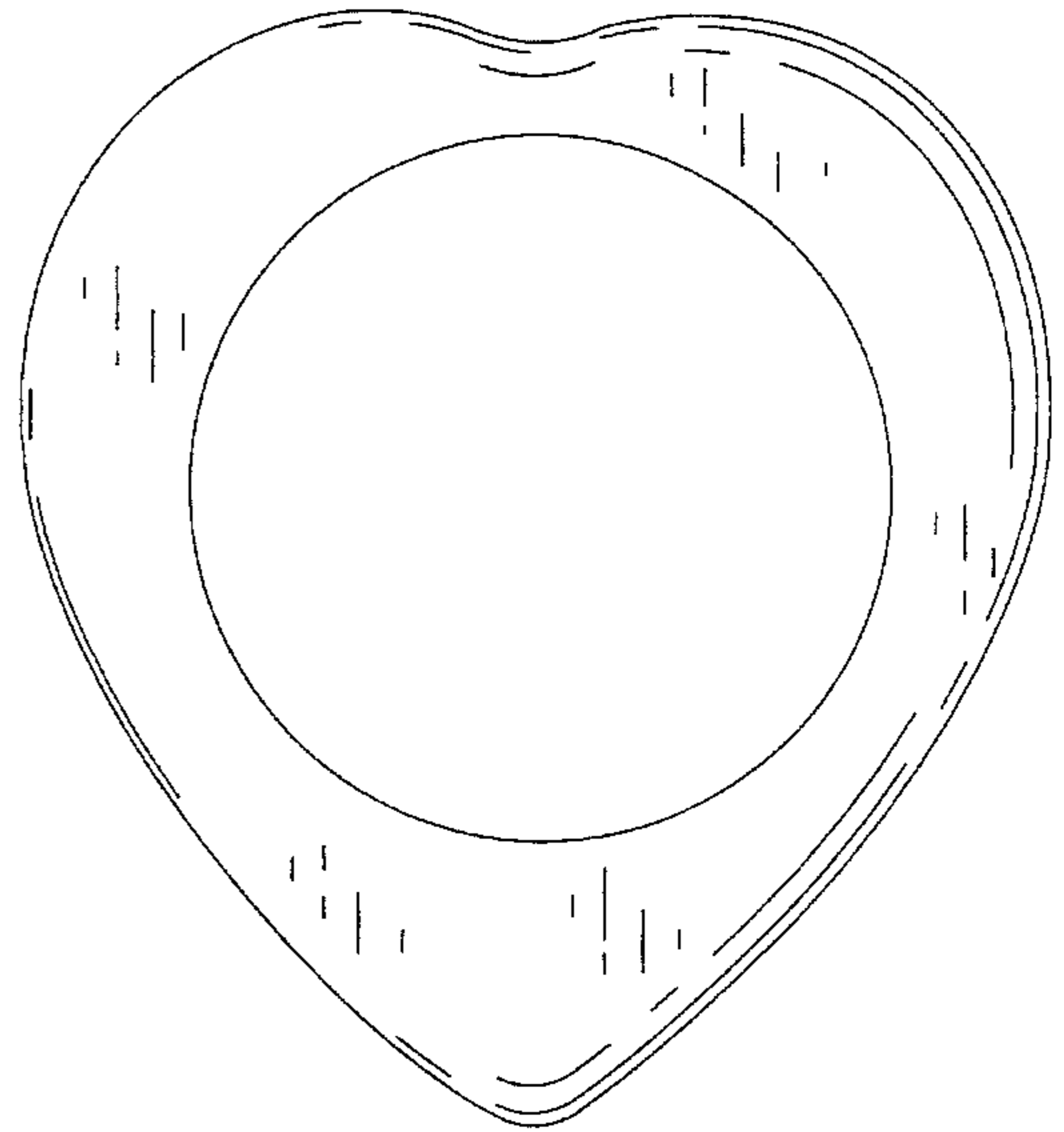


FIG. 5

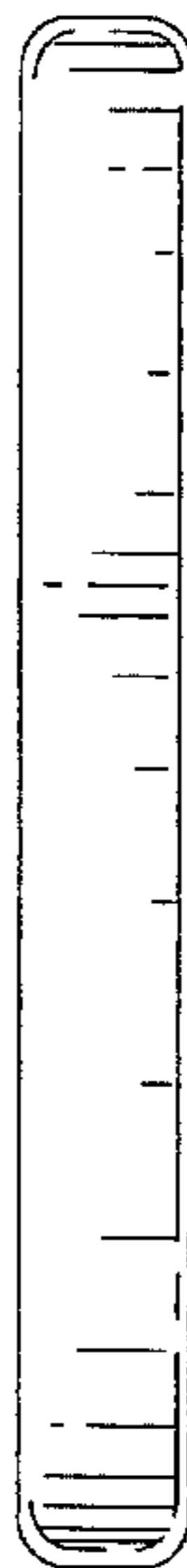


FIG. 6

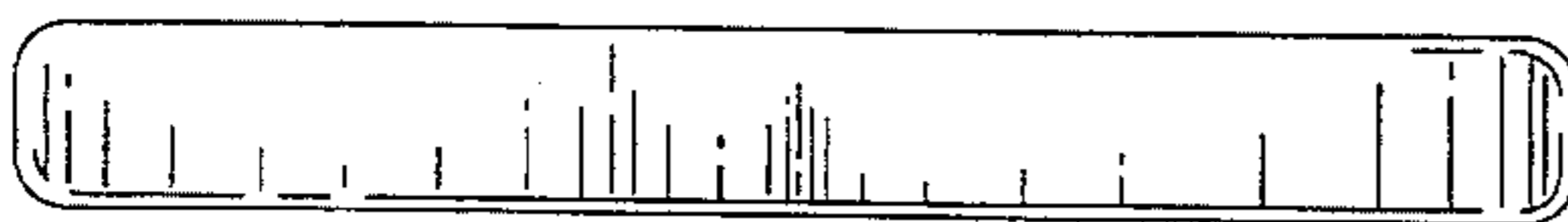


FIG. 7

