



US00D363535S

United States Patent [19]

[11] Patent Number: **Des. 363,535**

Hill et al.

[45] Date of Patent: ****Oct. 24, 1995**

[54] FAUCET BODY AND SPOUT

[75] Inventors: **Loran R. Hill**, Indianapolis; **Anthony G. Spangler**, Sheridan, both of Ind.

[73] Assignee: **Masco Corporation of Indiana**, Taylor, Mich.

[**] Term: **14 Years**

[21] Appl. No.: **14,884**

[22] Filed: **Nov. 2, 1993**

[52] U.S. Cl. **D23/238**

[58] Field of Search D23/238-243, D23/250-258; 4/675, 676, 677, 678; 137/801

[56] **References Cited**

U.S. PATENT DOCUMENTS

D. 140,557	3/1945	Stanitz .	
D. 193,885	10/1962	Andrews .	
D. 197,000	11/1963	Landell .	
D. 203,246	12/1965	Harvey et al. .	
D. 213,874	4/1969	Landell et al.	D23/238
D. 219,779	1/1971	Tiller .	
D. 253,799	1/1980	Saporito et al. .	
D. 288,837	3/1987	Yost	D23/243
D. 297,357	8/1988	Spangler .	
D. 297,358	8/1988	Hill .	
3,035,612	4/1958	Lyon .	
3,202,187	8/1965	West	D23/238 X
4,804,010	2/1989	Meissenburg	4/675 X

OTHER PUBLICATIONS

Delta HDF Commercial Products Catalog Delta Full Line Catalog—The Way Water is Brought to Life. Sweet's Catalog File (1977).

Delta—Full Line Catalog 1991.

Full Line Price List 1992.

Delta HDF Catalog Moen 50 1987.

Primary Examiner—Louis S. Zarfes

Assistant Examiner—E. Watterson

Attorney, Agent, or Firm—Myron B. Kapustij; Malcolm L. Sutherland

[57] **CLAIM**

The ornamental design for a faucet body and spout, as shown and described.

DESCRIPTION

FIG. 1 is a front perspective view of a faucet body and spout showing our new design;

FIG. 2 is a rear perspective view thereof;

FIG. 3 is a top plan view thereof;

FIG. 4 is a front elevational view thereof;

FIG. 5 is a rear elevational view thereof;

FIG. 6 is as left side elevational view thereof;

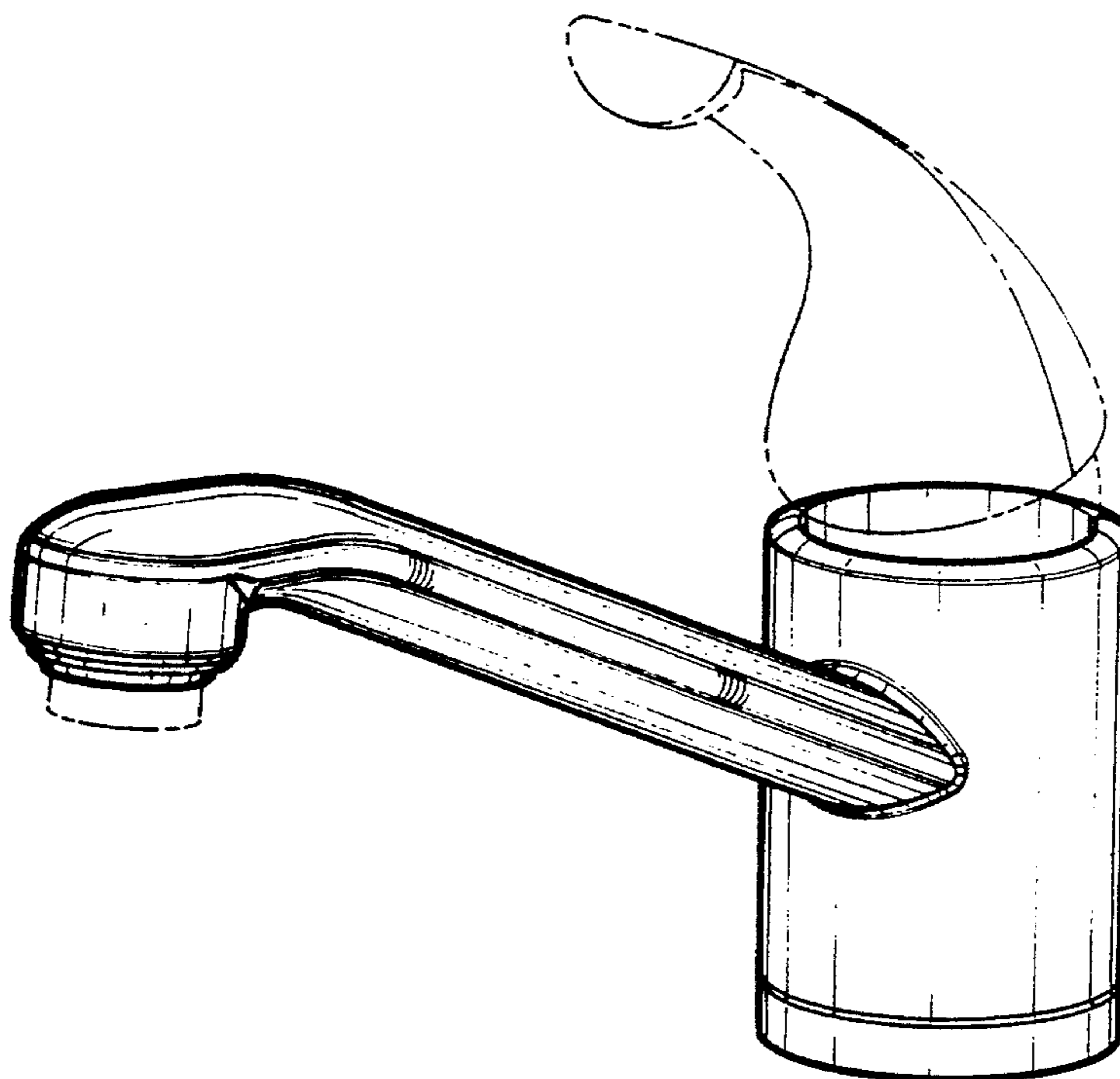
FIG. 7 is a cross-sectional view of the spout taken along line 7—7 in FIG. 6;

FIG. 8 is a right side elevational view thereof; and,

FIG. 9 is a bottom plan view thereof.

The broken line showings of a handle and aerator in FIG. 1 are for purposes of illustration only and form no part of the claimed design.

1 Claim, 4 Drawing Sheets



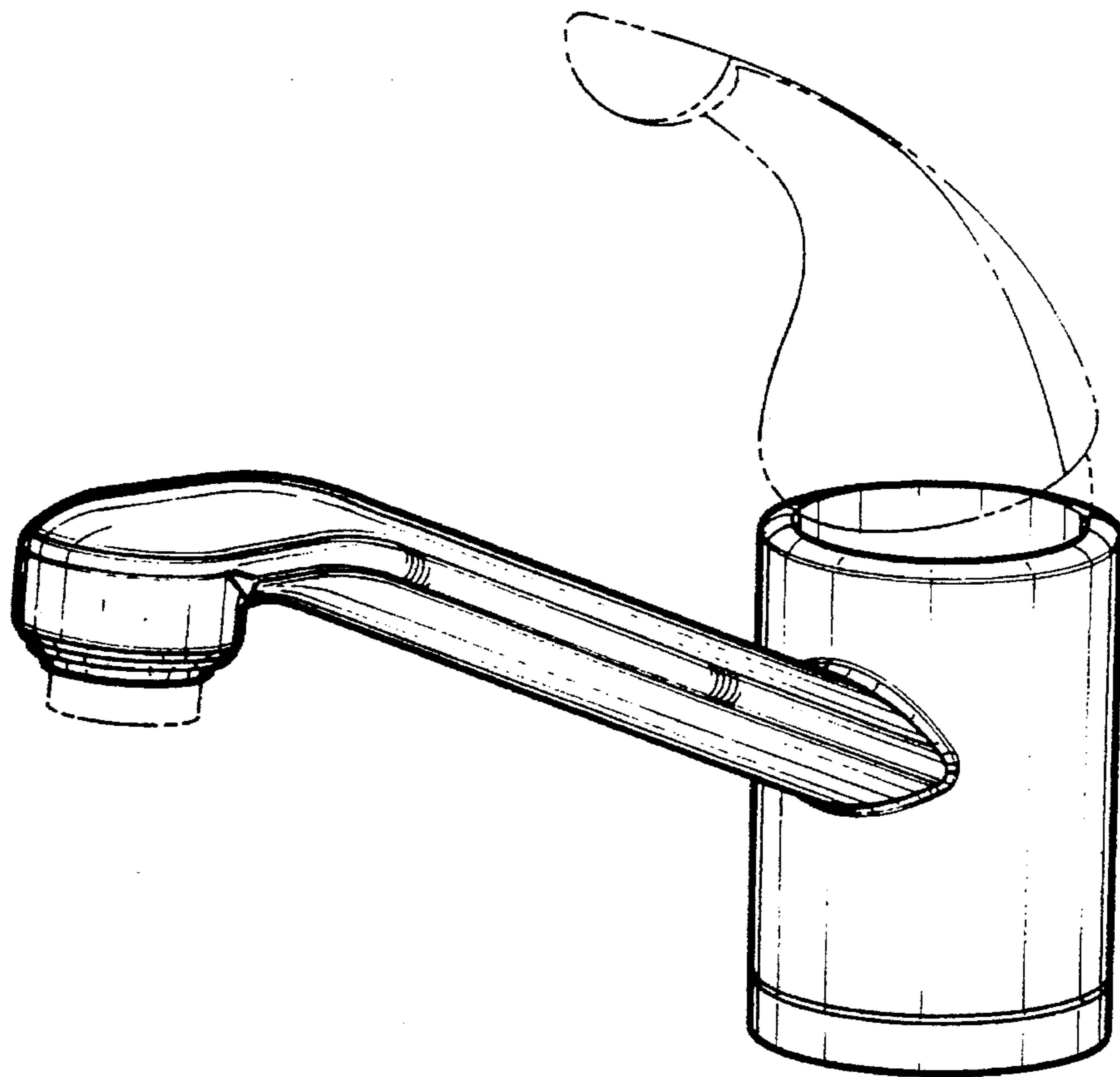


Fig-1

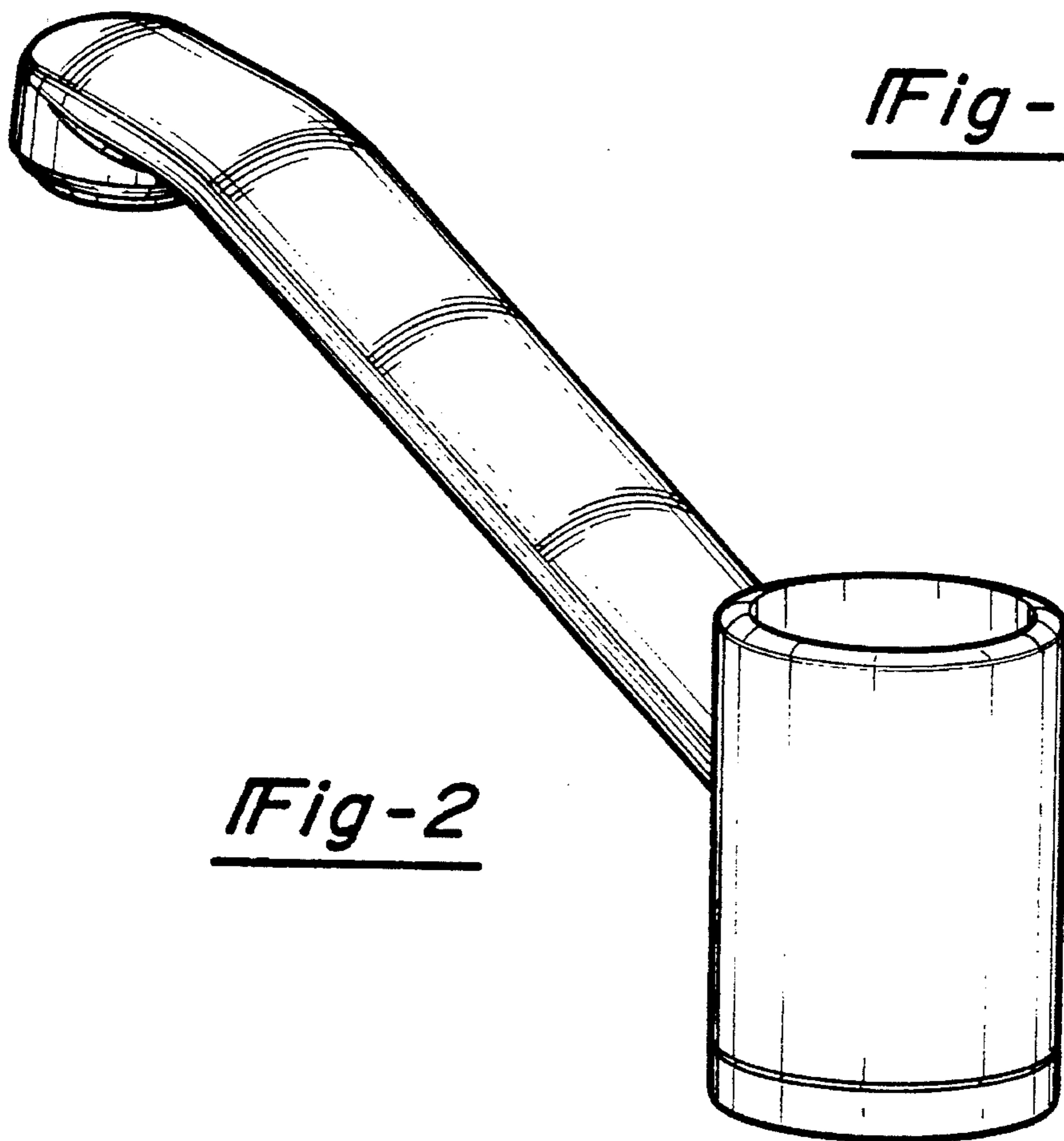


Fig-2

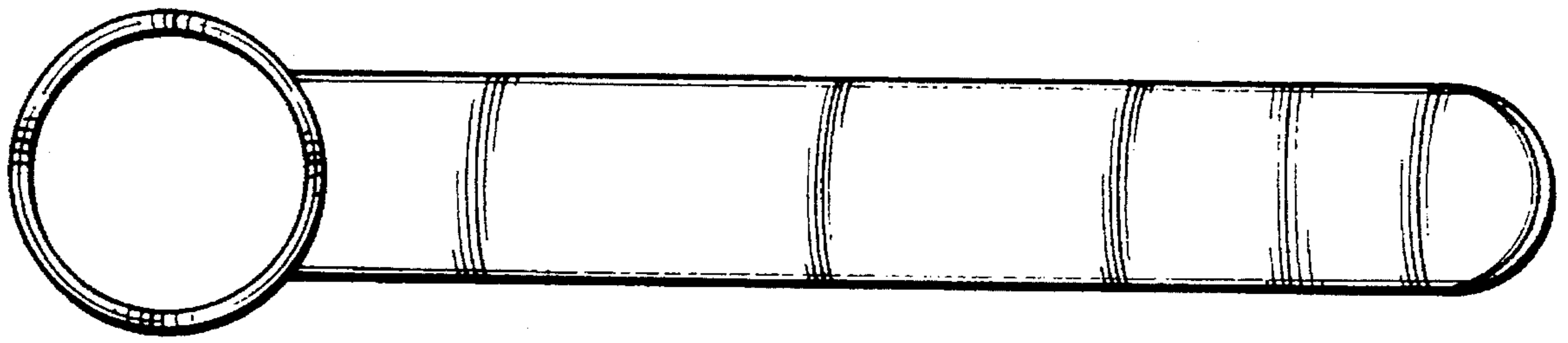


Fig-3

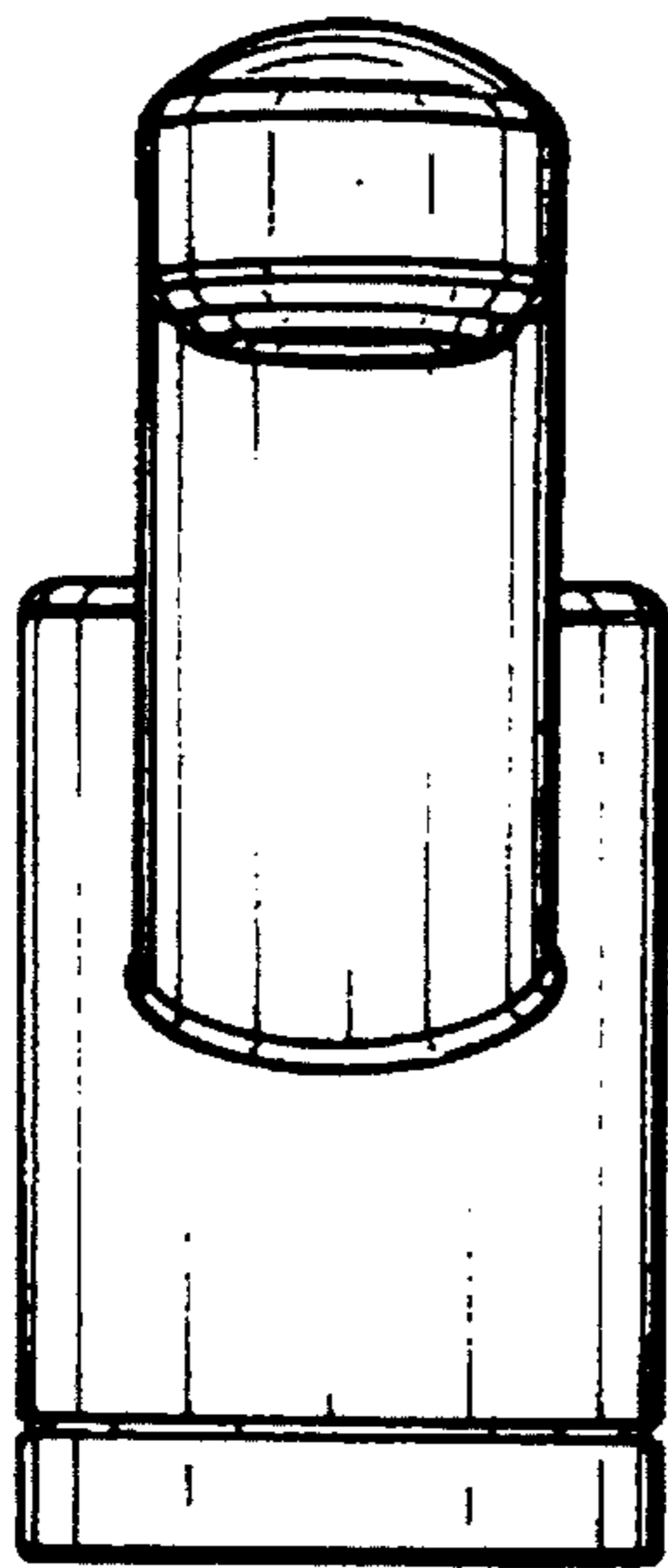


Fig-4

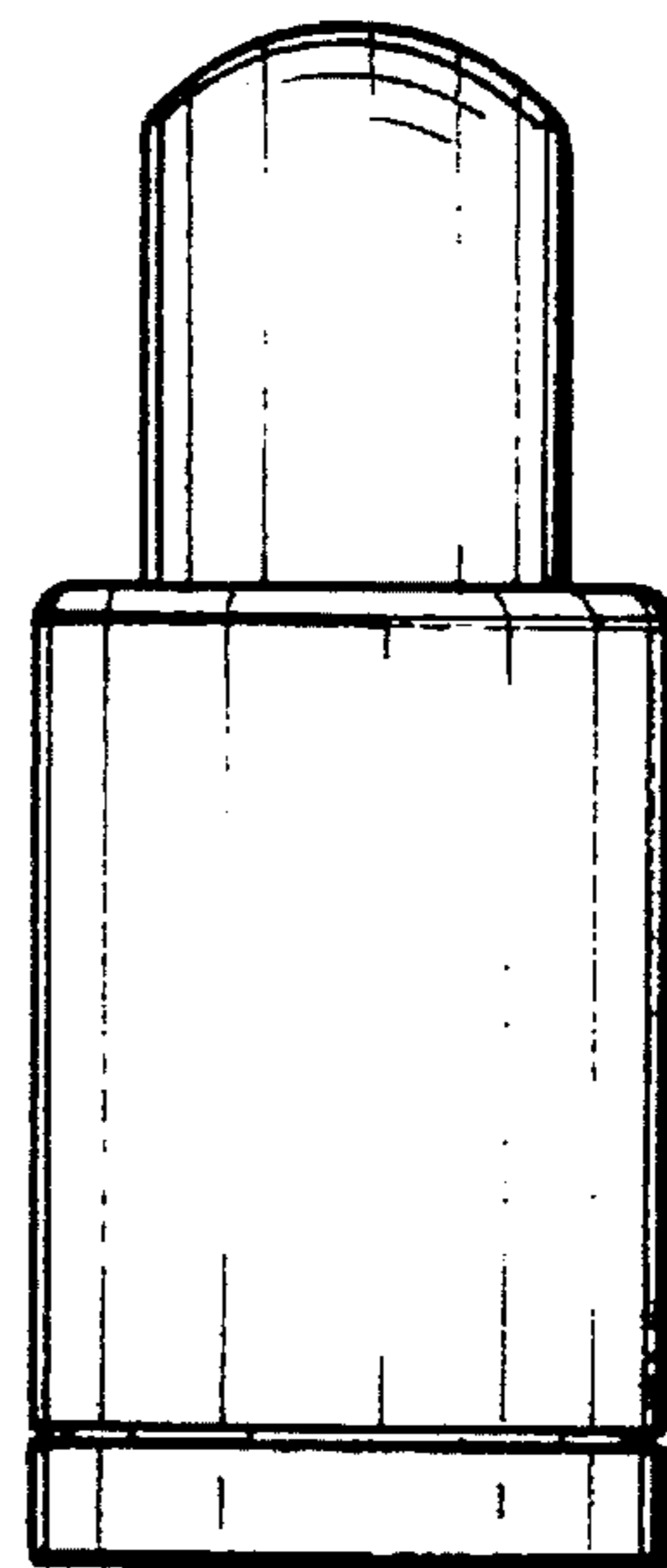


Fig-5

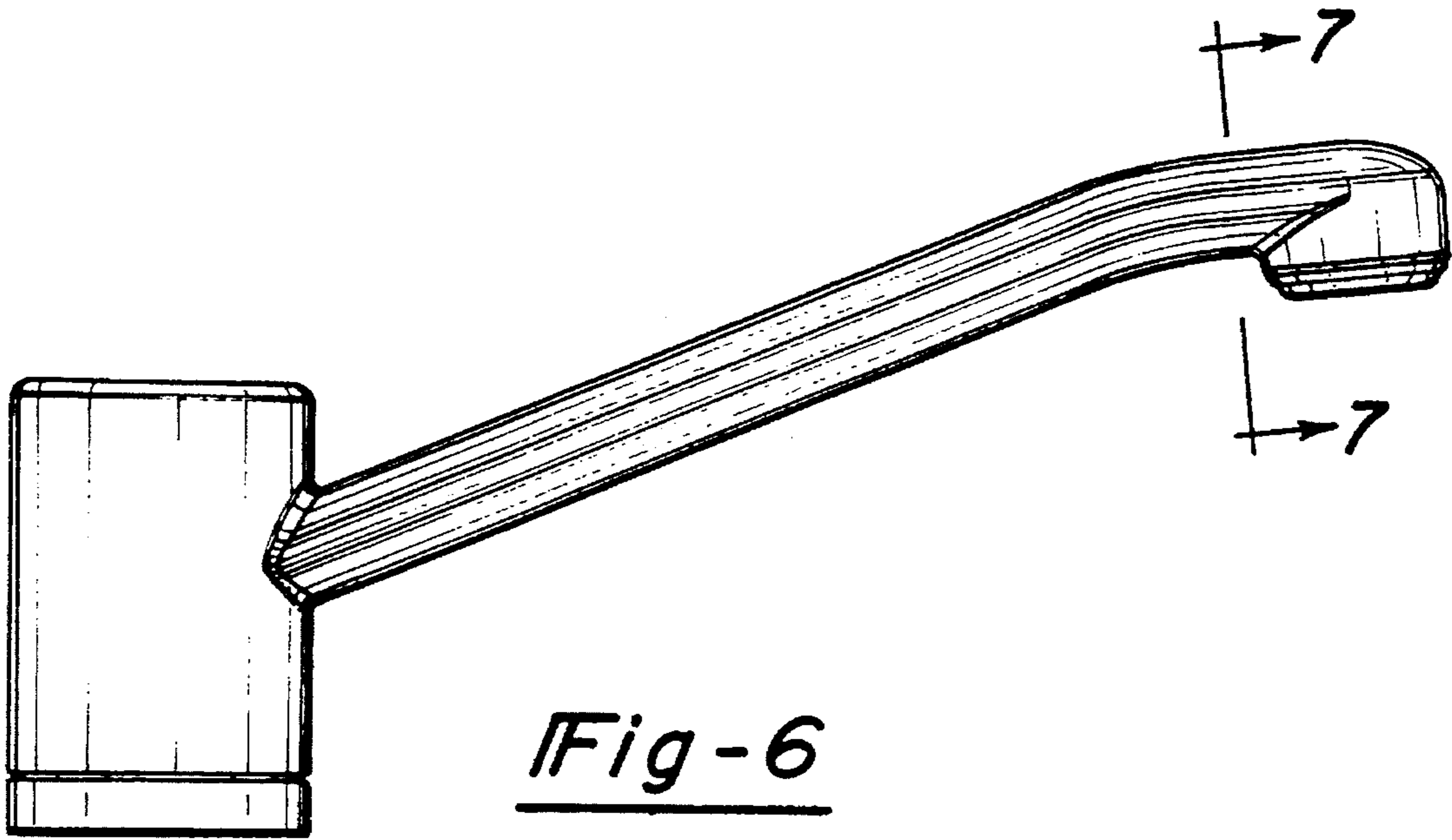


Fig-6

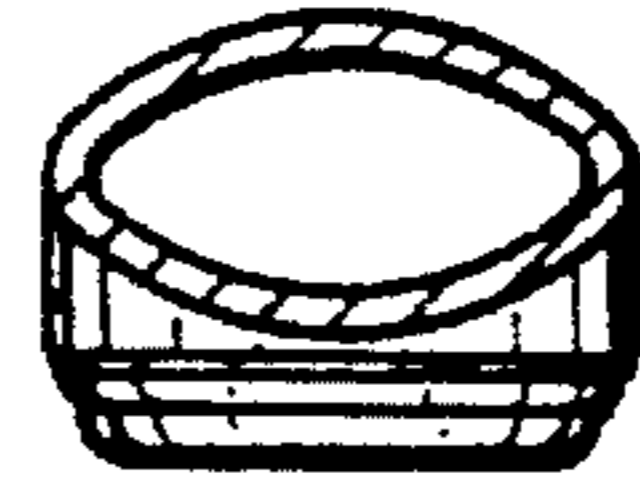


Fig-7

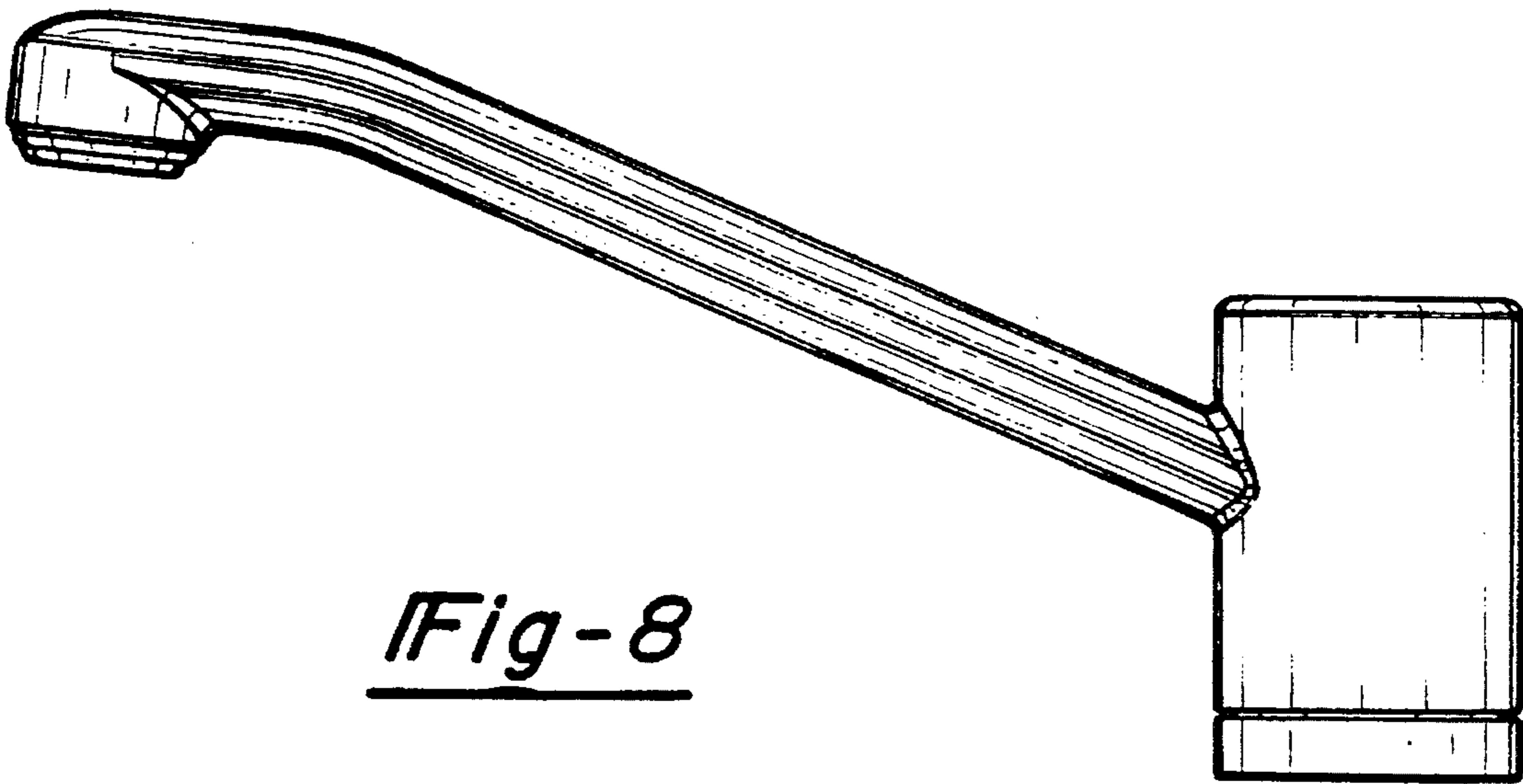


Fig-8

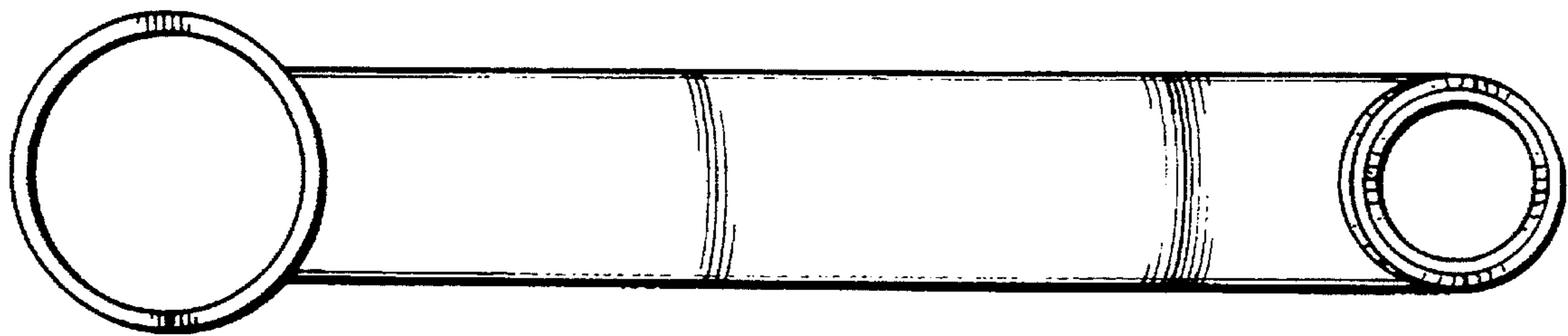


Fig-9