



US00D363532S

**United States Patent** [19]  
**Van Gorp**

[11] **Patent Number: Des. 363,532**

[45] **Date of Patent: \*\*Oct. 24, 1995**

[54] **FLOATING VALVE FOR DRAIN TILE INLET**

*Primary Examiner*—Stella Reid  
*Assistant Examiner*—Eric Watterson

[76] Inventor: **Warren K. Van Gorp**, 139 Summit Ave., Montevideo, Minn. 56265

[57] **CLAIM**

[\*\*] Term: **14 Years**

The ornamental design for a floating valve for drain tile inlet, as shown and described.

[21] Appl. No.: **30,354**

**DESCRIPTION**

[22] Filed: **Oct. 27, 1994**

[52] U.S. Cl. .... **D23/233**

[58] Field of Search ..... D23/233-237;  
137/130, 131, 135, 140, 433, 590, 428

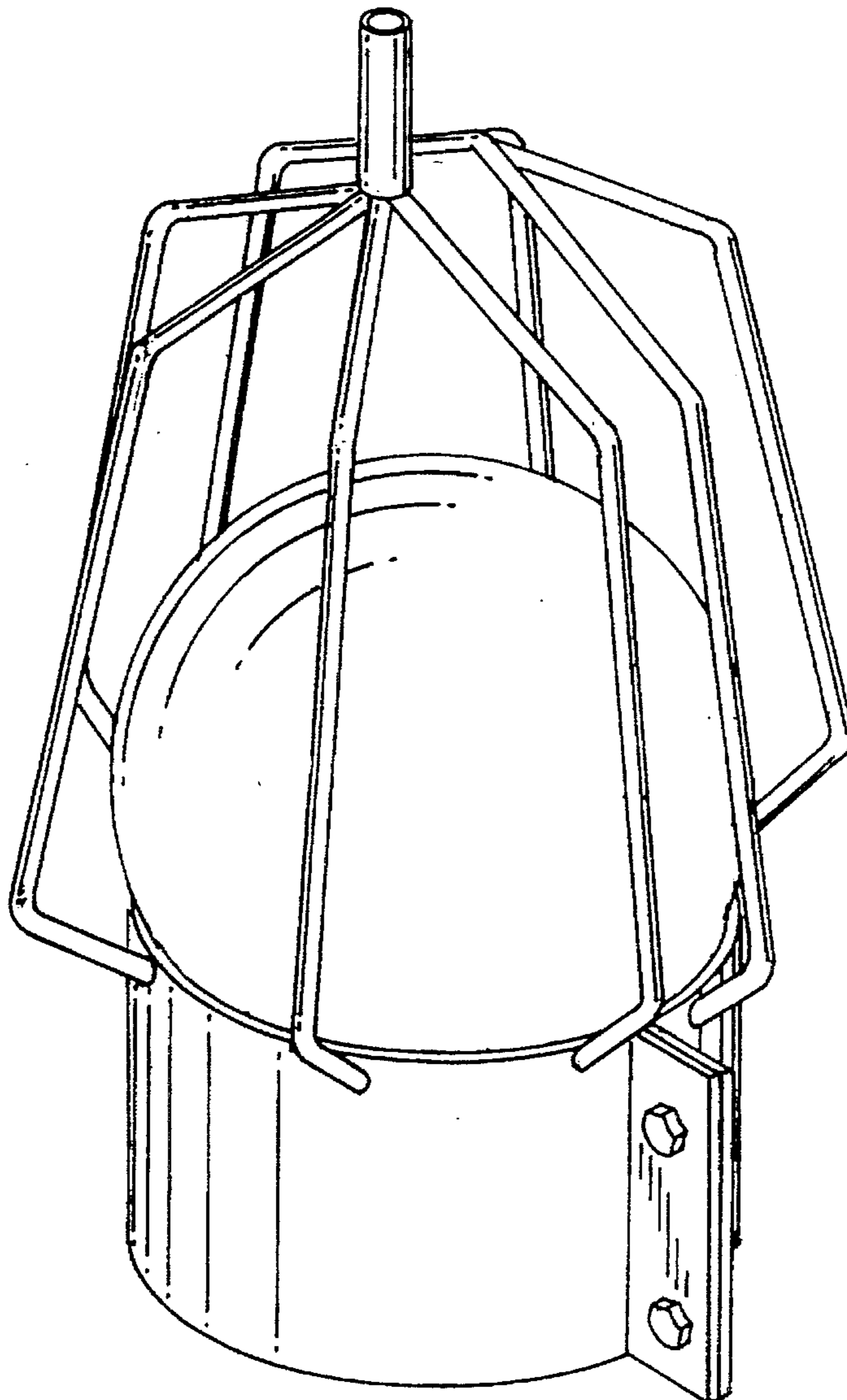
FIG. 1 is a perspective view of the floating valve for drain tile inlet showing my new design;  
FIG. 2 is a left side elevational view thereof;  
FIG. 3 is a right side elevational view thereof;  
FIG. 4 is a front elevational view thereof;  
FIG. 5 is a rear elevational view thereof;  
FIG. 6 is a top plan view thereof; and,  
FIG. 7 is a bottom plan view thereof.

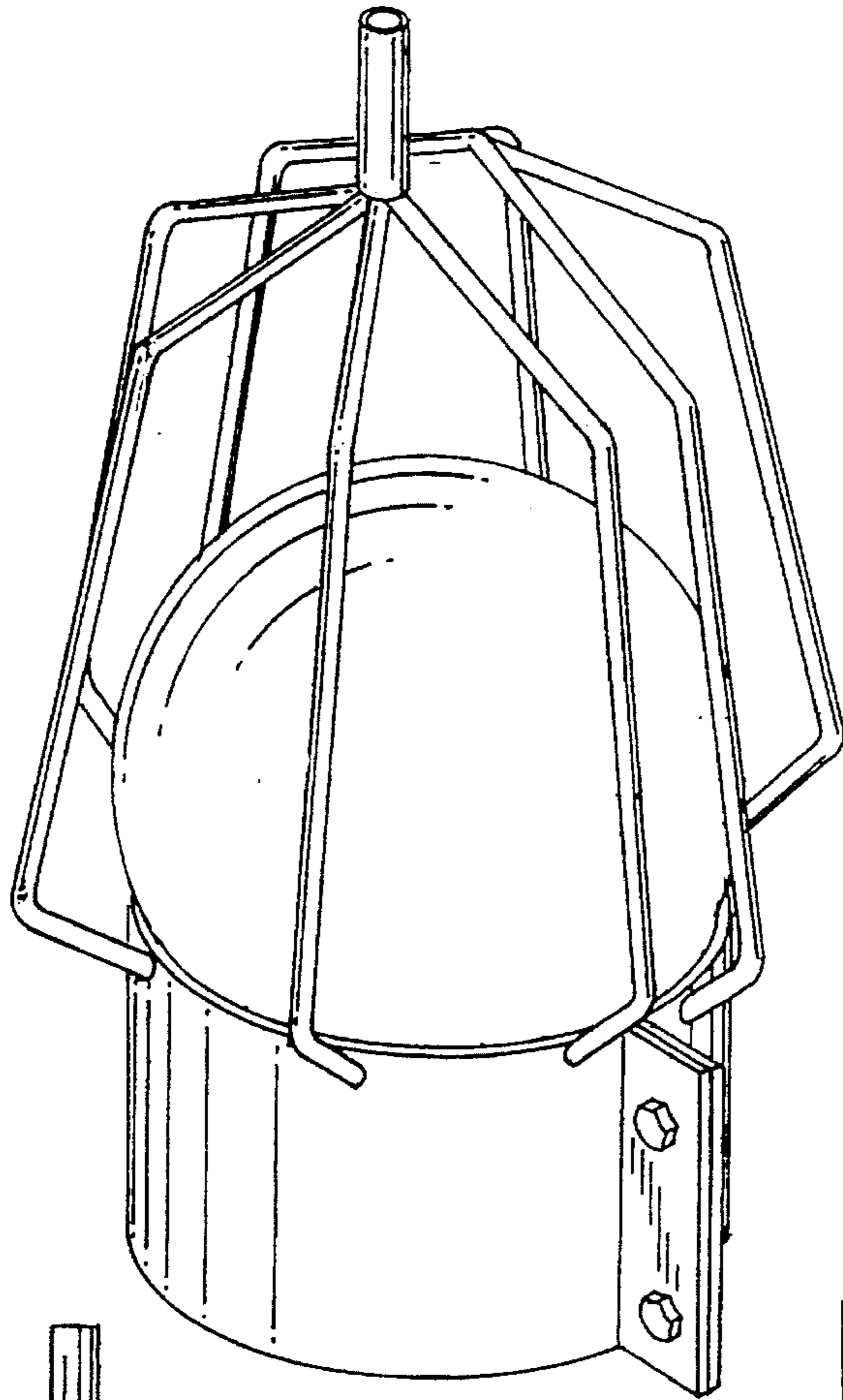
[56] **References Cited**

**U.S. PATENT DOCUMENTS**

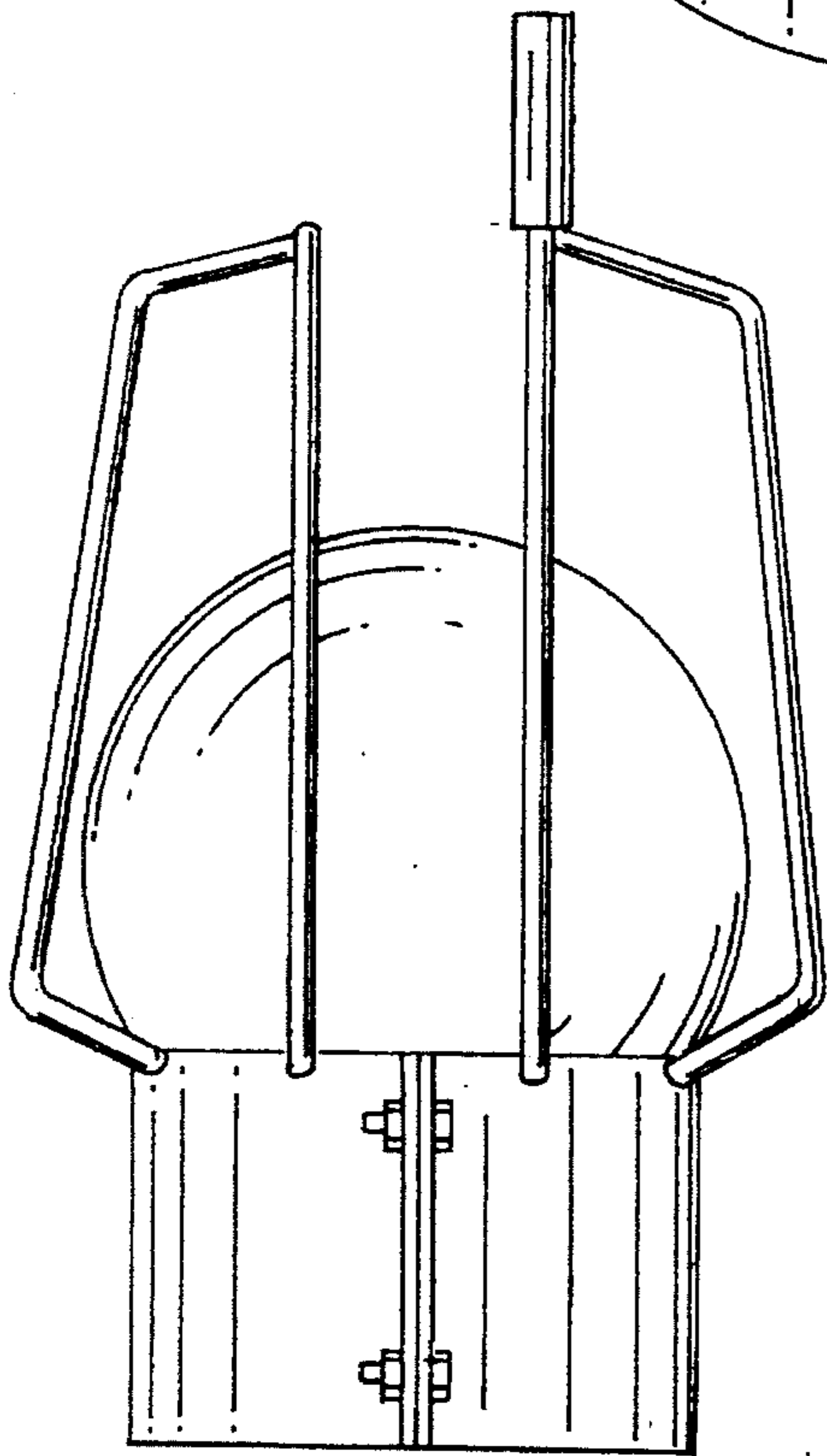
2,668,960	2/1954	Barrett-Lennard	.....	D23/236 X
4,327,764	5/1982	Biederman et al.	.....	137/433
4,342,328	8/1982	Motta	.....	137/135
5,255,703	10/1993	Johnson	.....	137/428

**1 Claim, 3 Drawing Sheets**

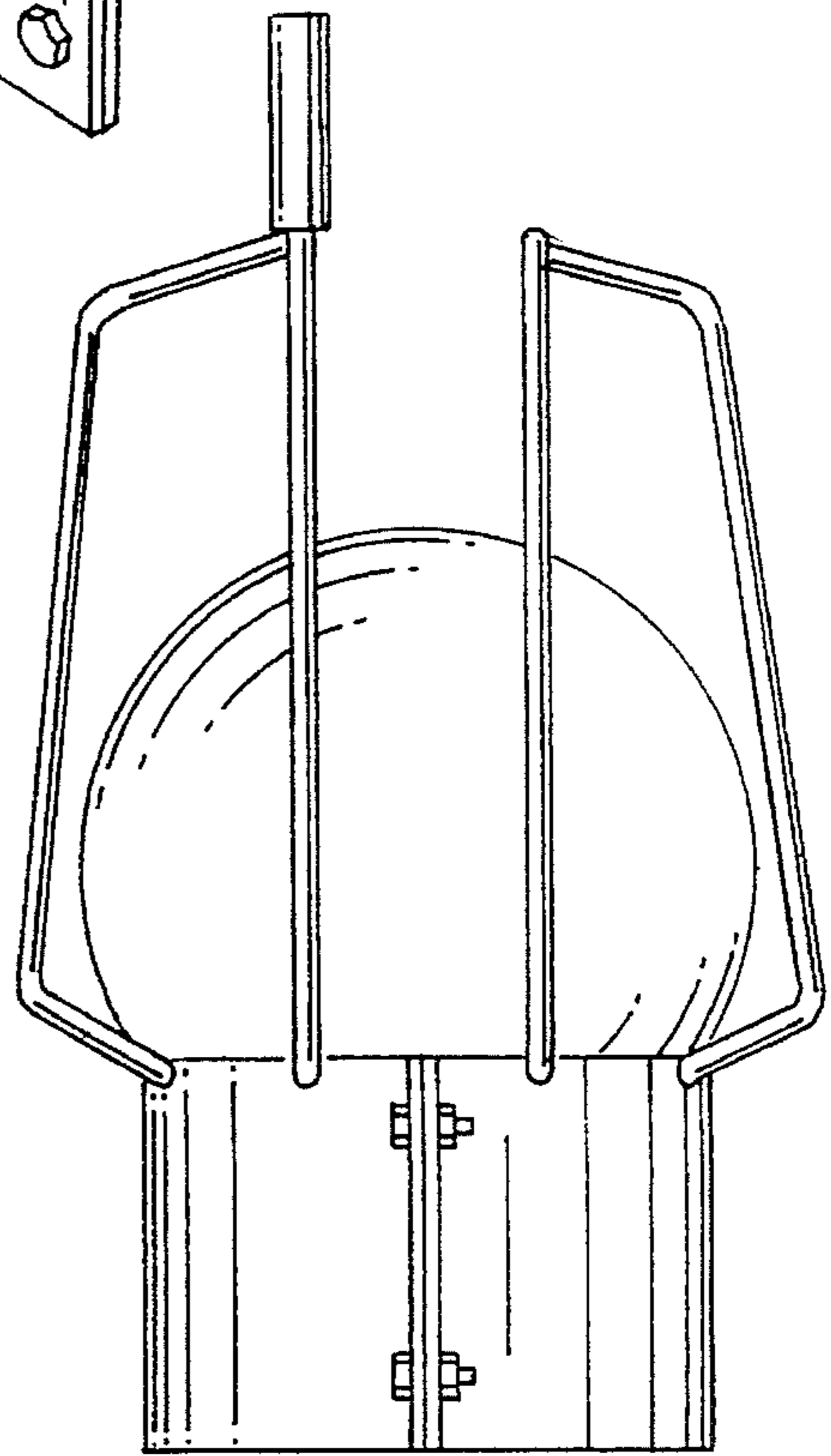




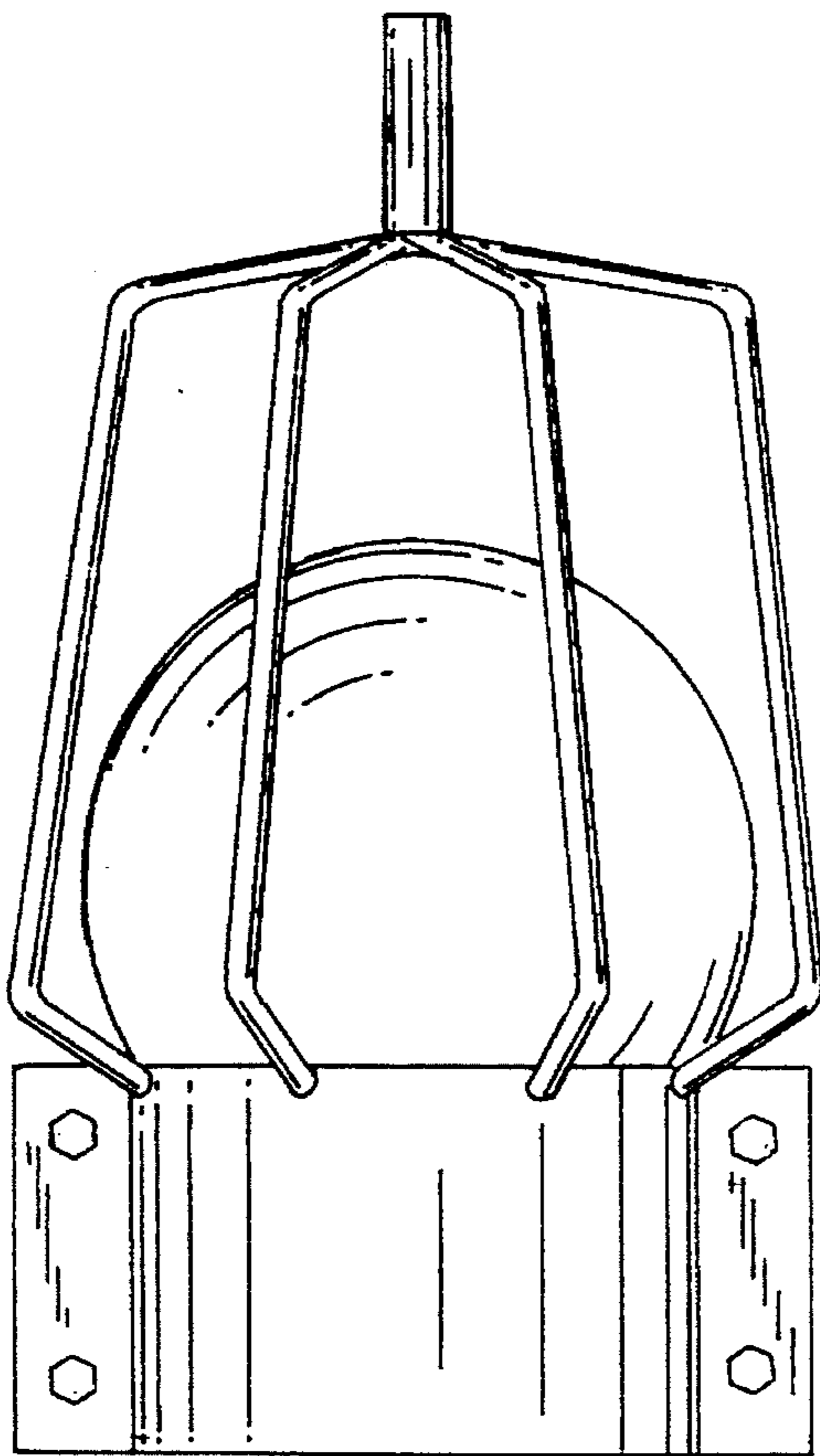
*Fig. 1*



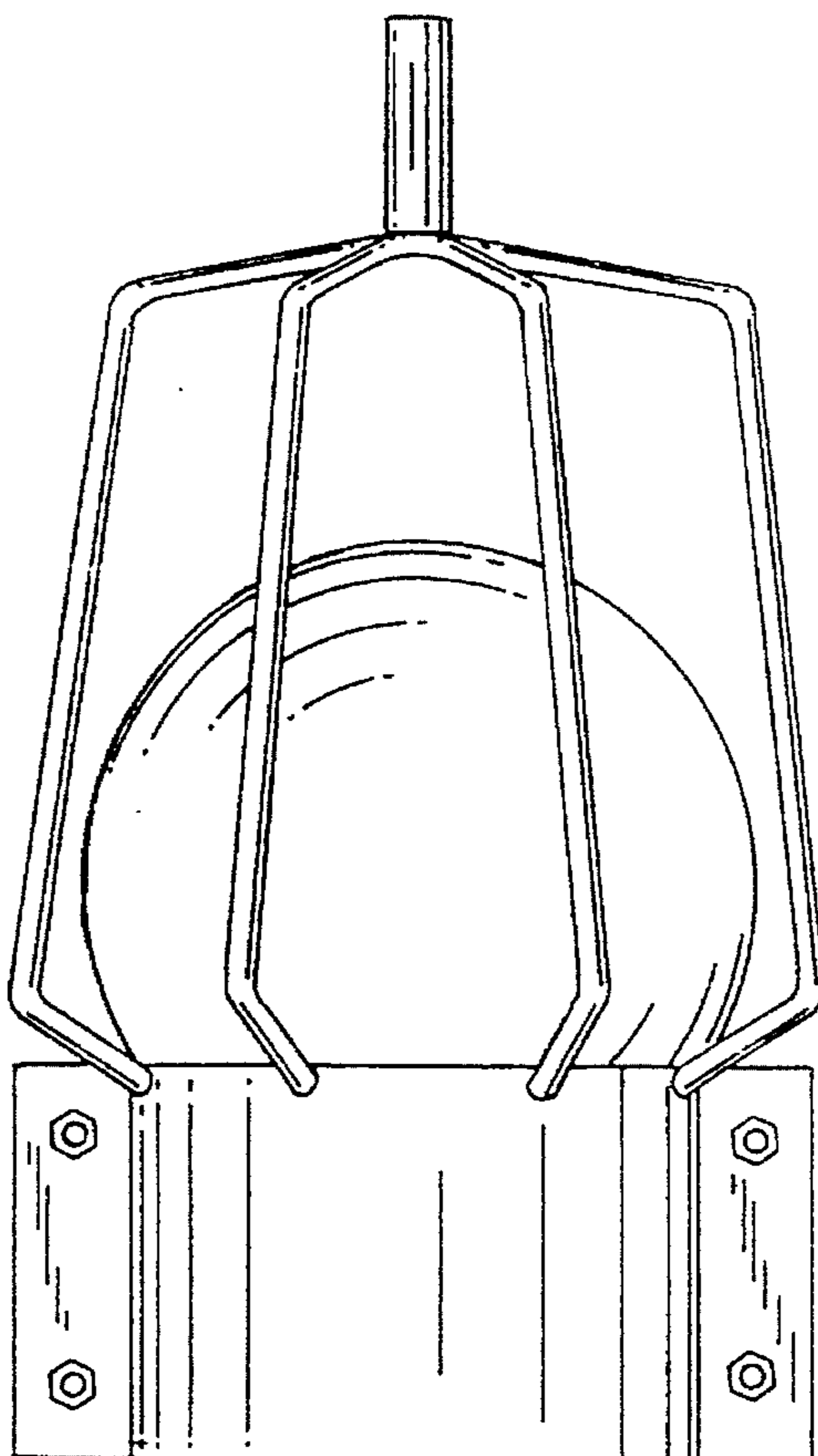
*Fig. 2*



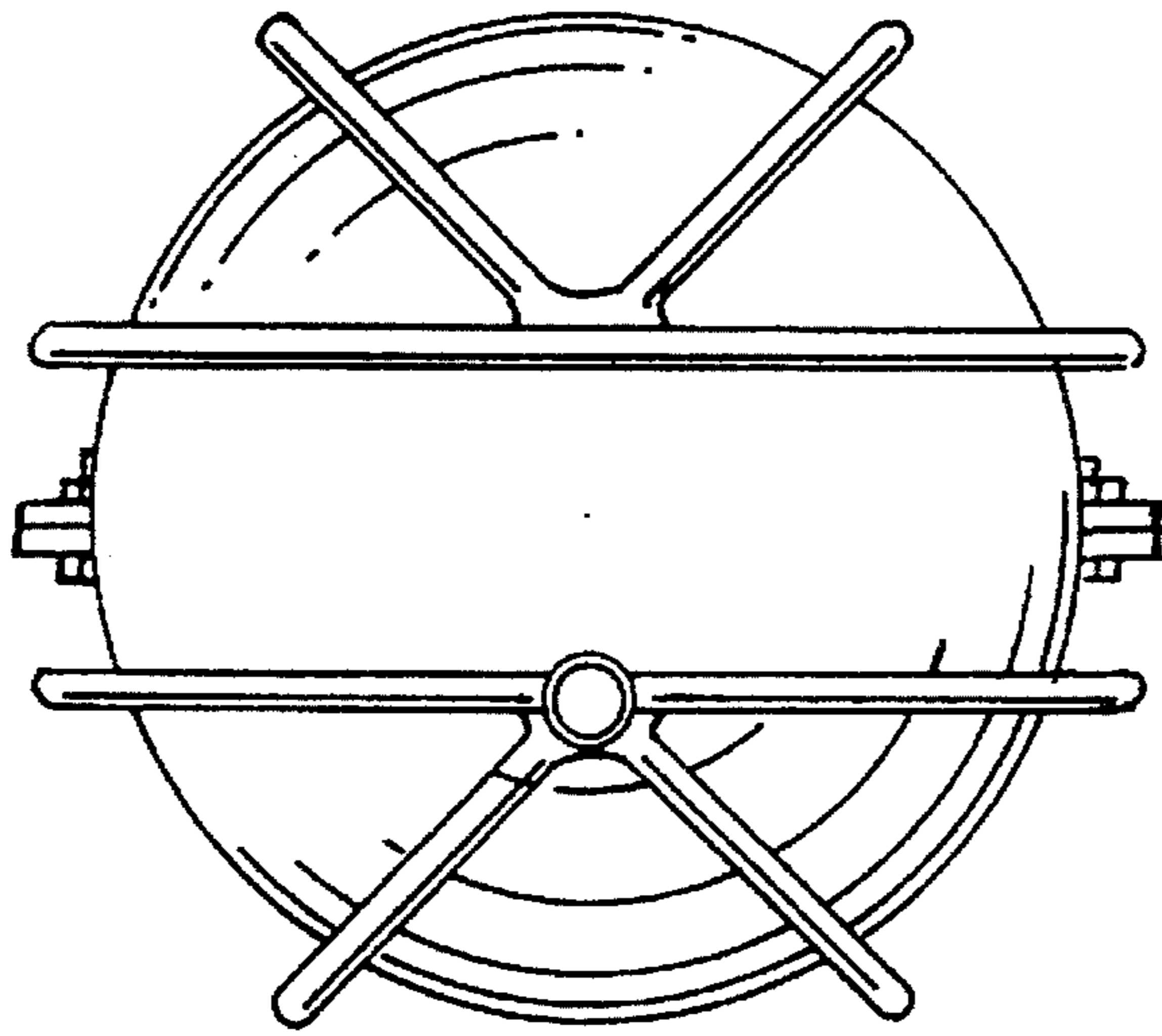
*Fig. 3*



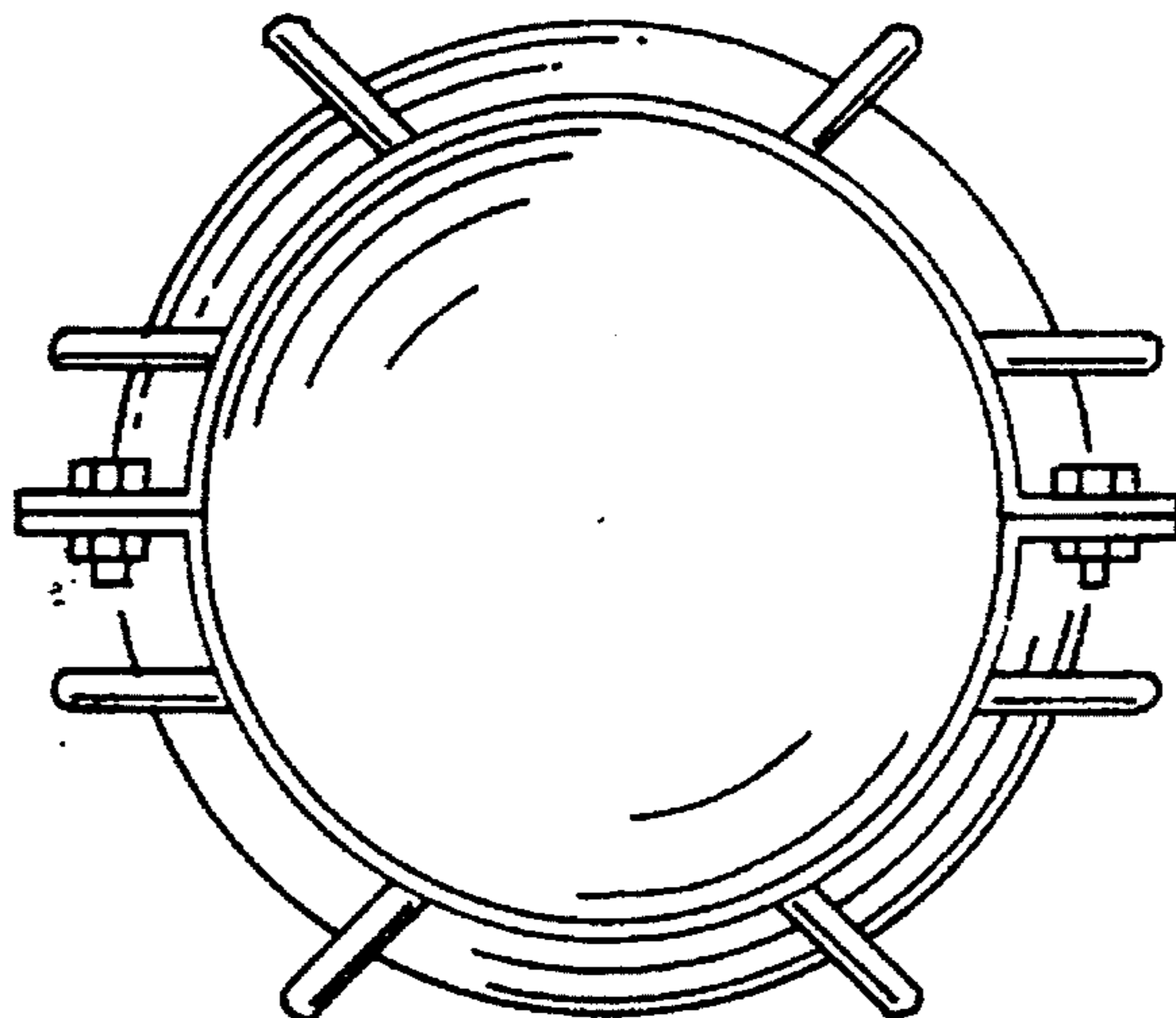
*Fig. 4*



*Fig. 5*



*Fig. 6*



*Fig. 7*