



US00D363531S

United States Patent [19]

[11] Patent Number: **Des. 363,531**

Brumleve et al.

[45] Date of Patent: ****Oct. 24, 1995**

[54] **SOLID STATE FLUID CONDITIONER**

4,761,228 8/1988 Weisenbarger et al. 210/222
5,078,870 1/1992 Carpenter 210/222
5,161,512 11/1992 Adam et al. 210/222 X

[75] Inventors: **Kenneth J. Brumleve**, 7 Cross Rd.,
Amherst, N.H. 03031; **Christian C. E. Peyla**, Beverly, Mass.

Primary Examiner—Lou Zarfaz
Assistant Examiner—Monica A. Hannon

[73] Assignee: **Kenneth J. Brumleve**, Amherst, N.J.

[57] **CLAIM**

[**] Term: **14 Years**

The ornamental design for a solid state fluid conditioner, as shown and described.

[21] Appl. No.: **19,349**

DESCRIPTION

[22] Filed: **Mar. 1, 1994**

[52] U.S. Cl. **D23/200**; D23/207

[58] Field of Search D23/200-209;
96/1; 210/222, 85, 244; 123/538

FIG. 1 is a top plan view of a solid state fluid conditioner showing our new design;

FIG. 2 is a right end elevational view thereof, the left end elevational view being identical;

FIG. 3 is a right side elevational view thereof, the left side elevational view being identical;

FIG. 4 is a bottom plan view thereof;

FIG. 5 is a top perspective view thereof.

[56] References Cited

U.S. PATENT DOCUMENTS

4,278,549 7/1981 Abrams et al. 210/222 X
4,414,951 11/1983 Saneto 210/222 X
4,711,271 12/1987 Weisenbarger et al. 210/222 X

1 Claim, 2 Drawing Sheets

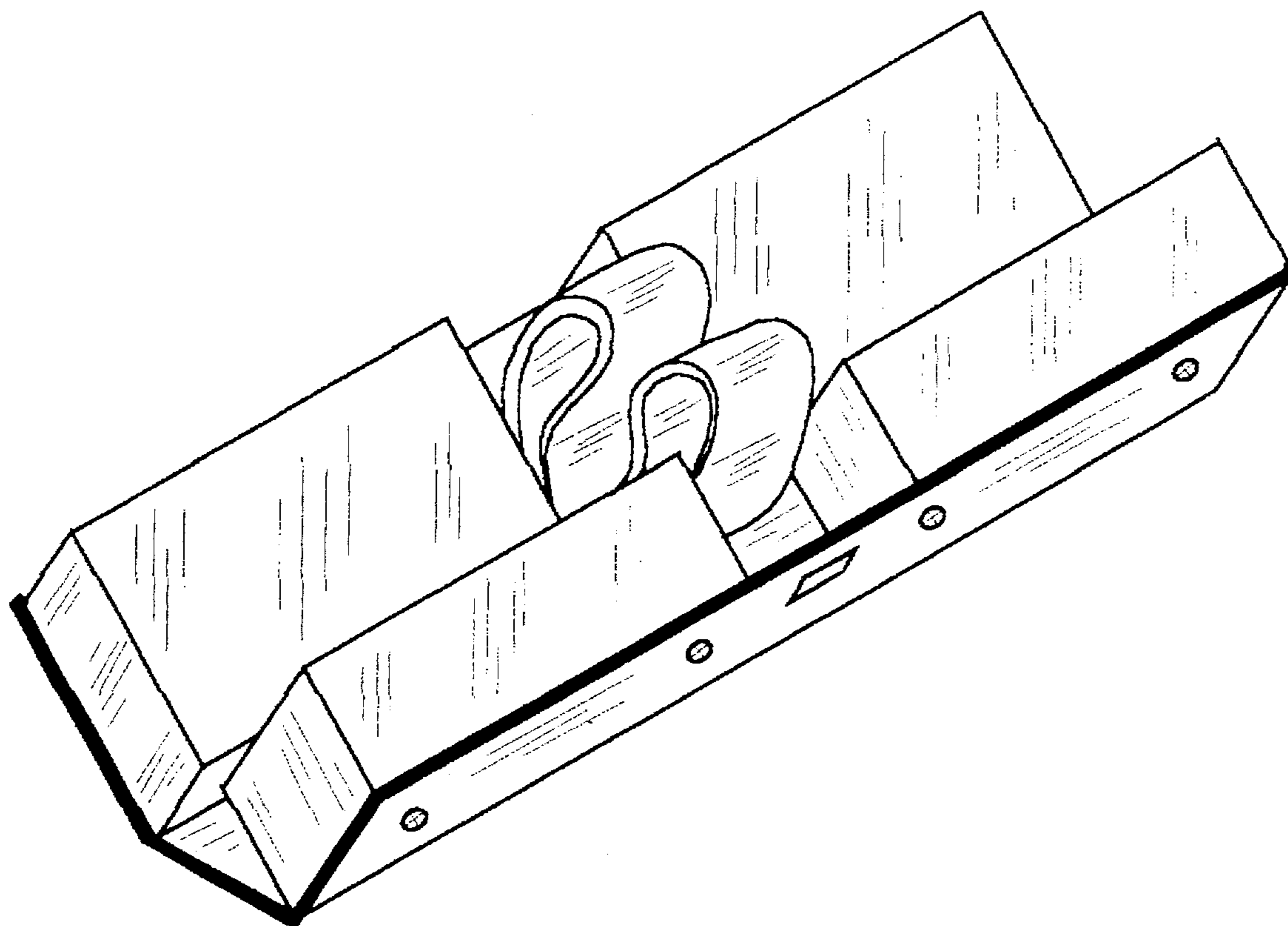


FIG. 1

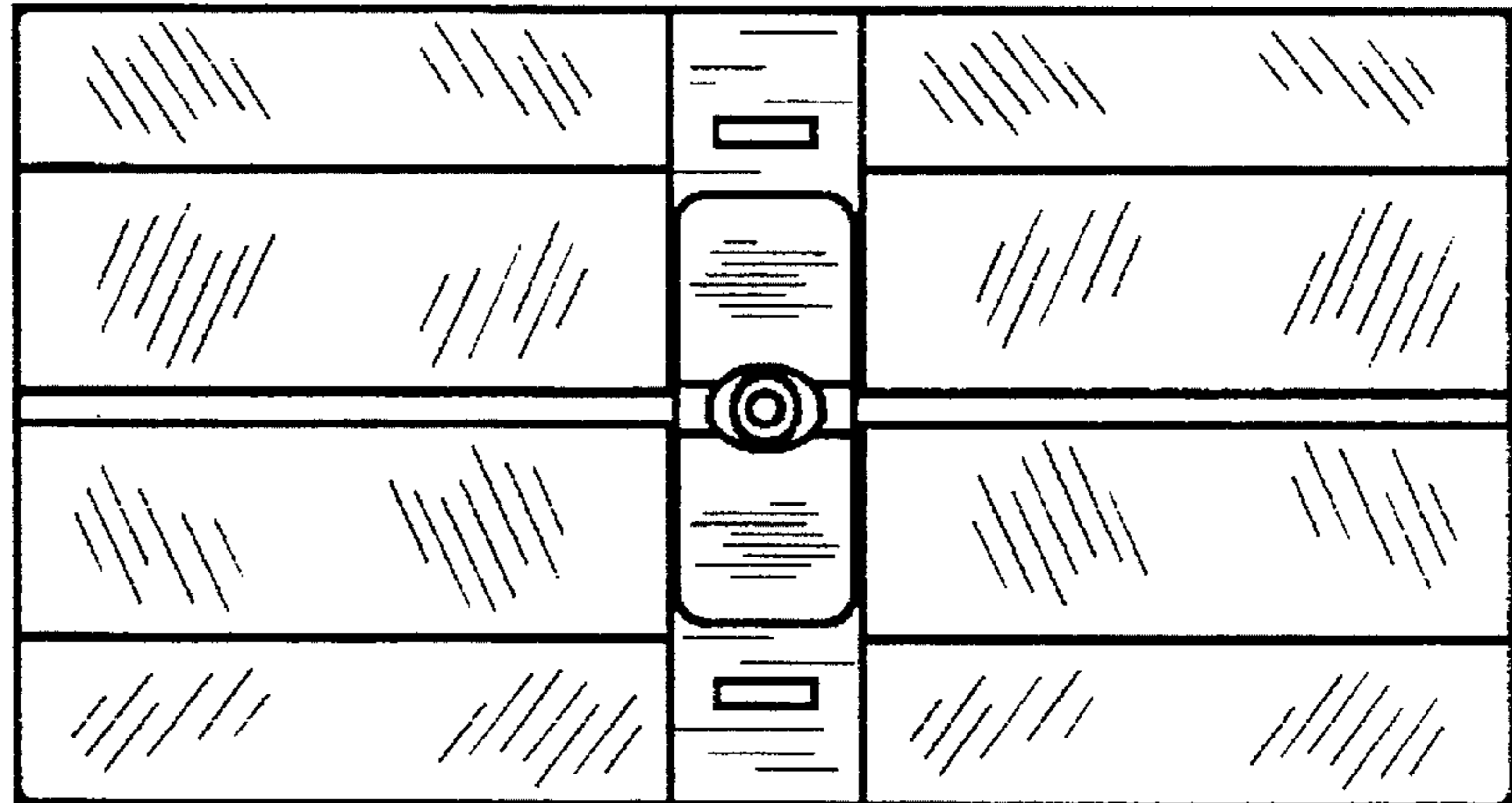


FIG. 2

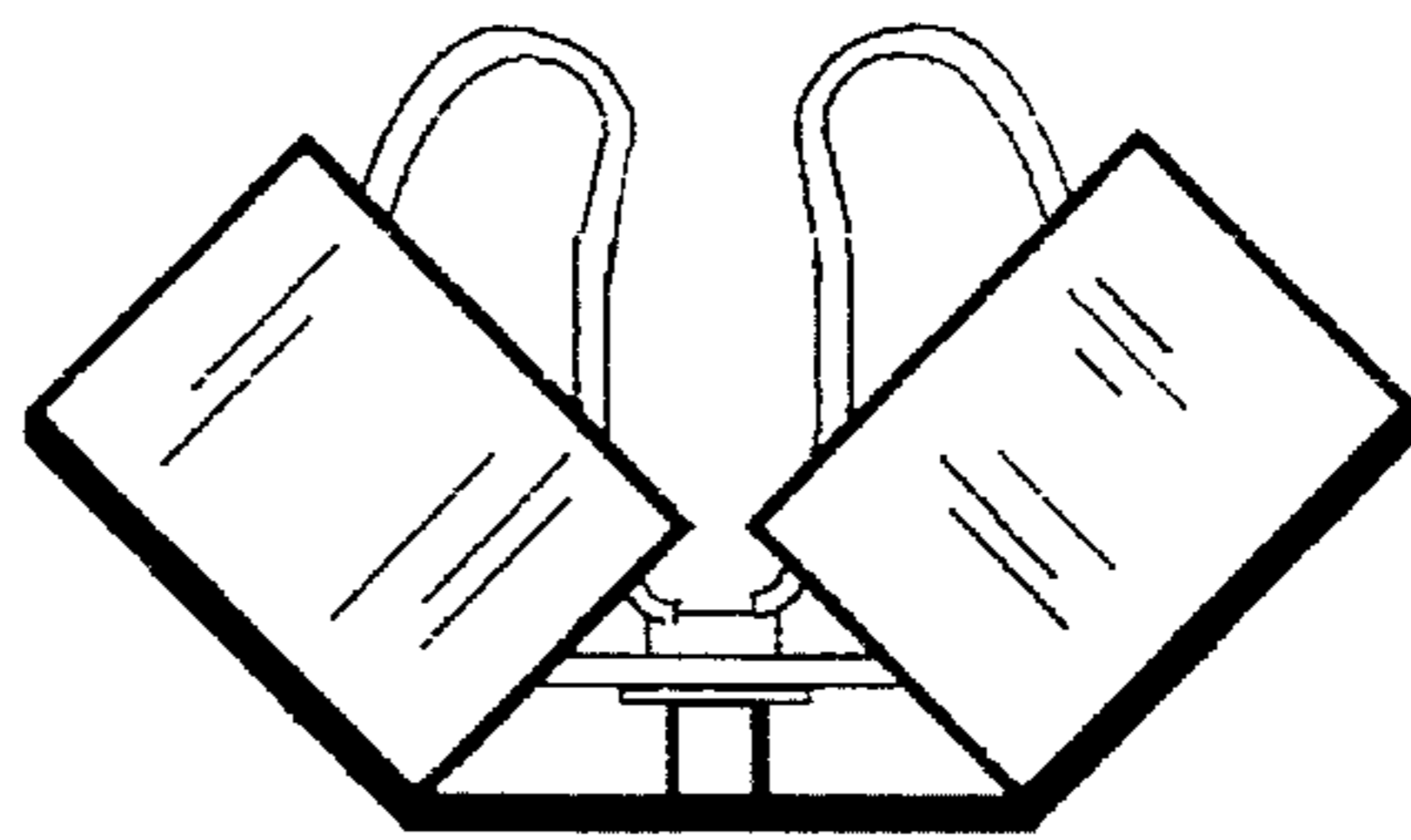


FIG. 3

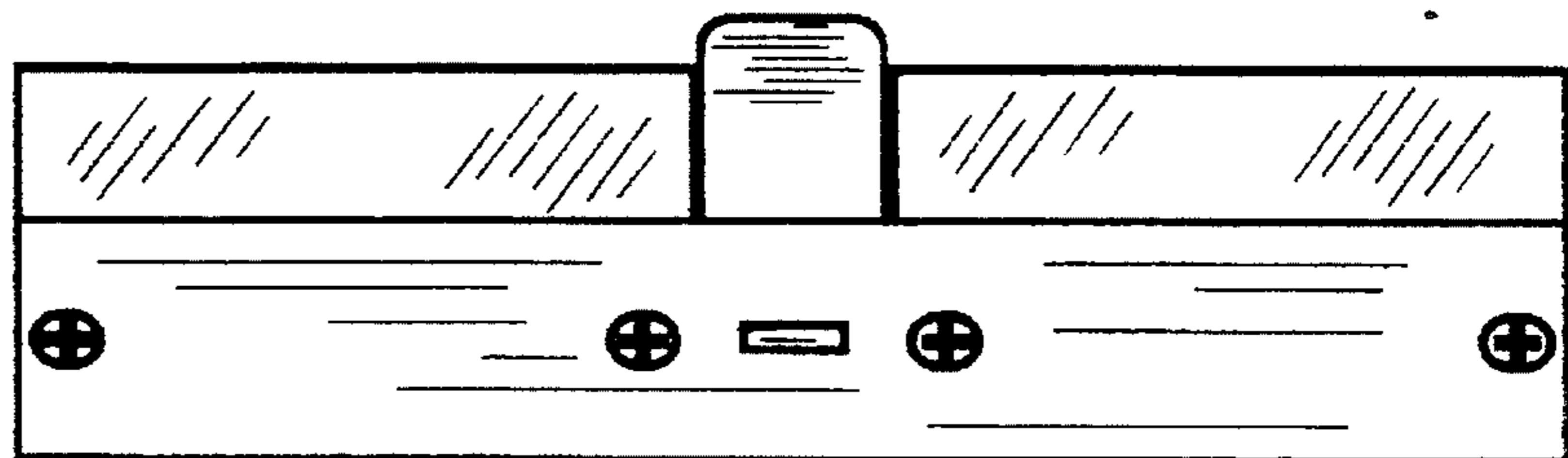
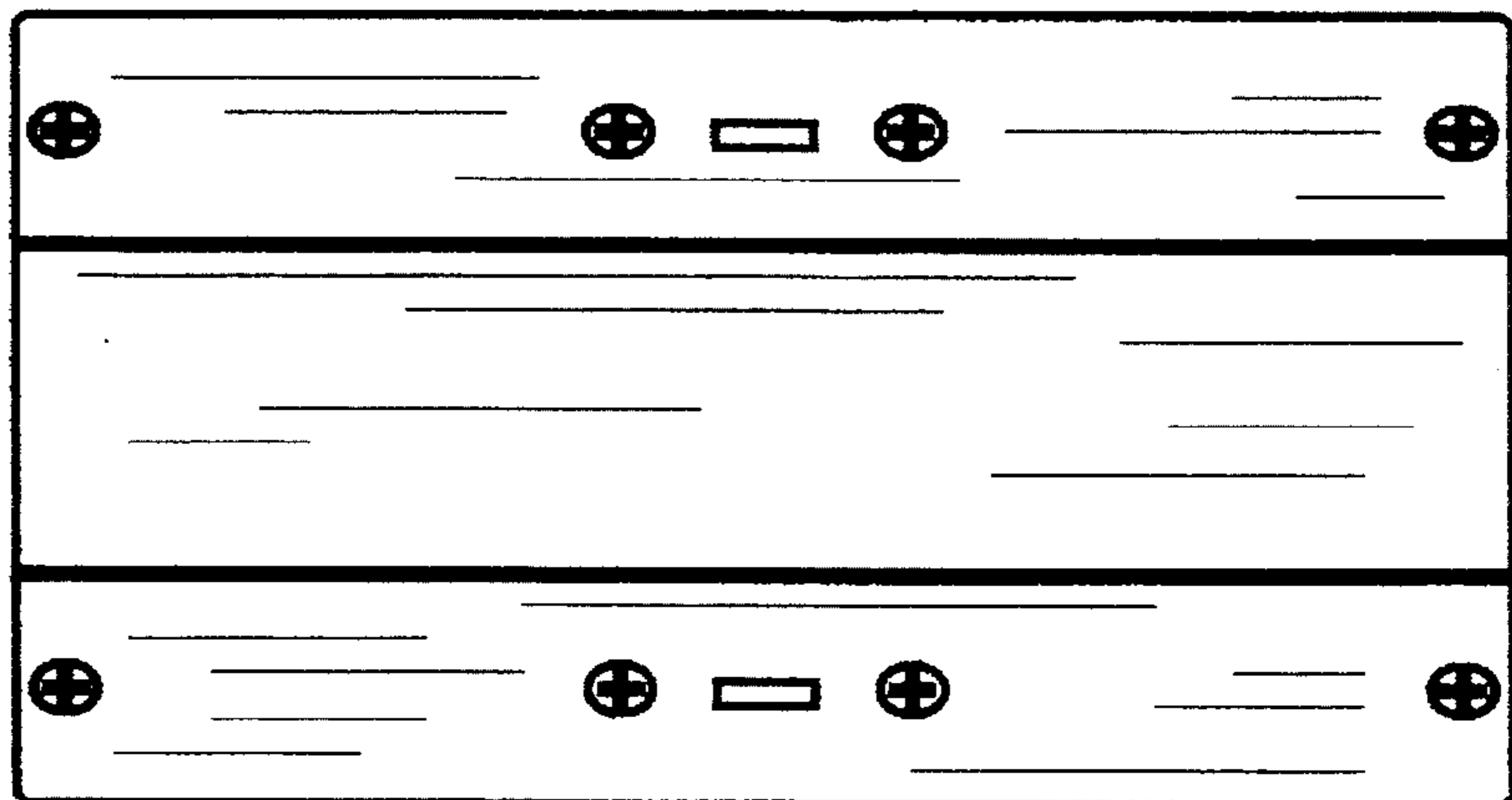


FIG. 4



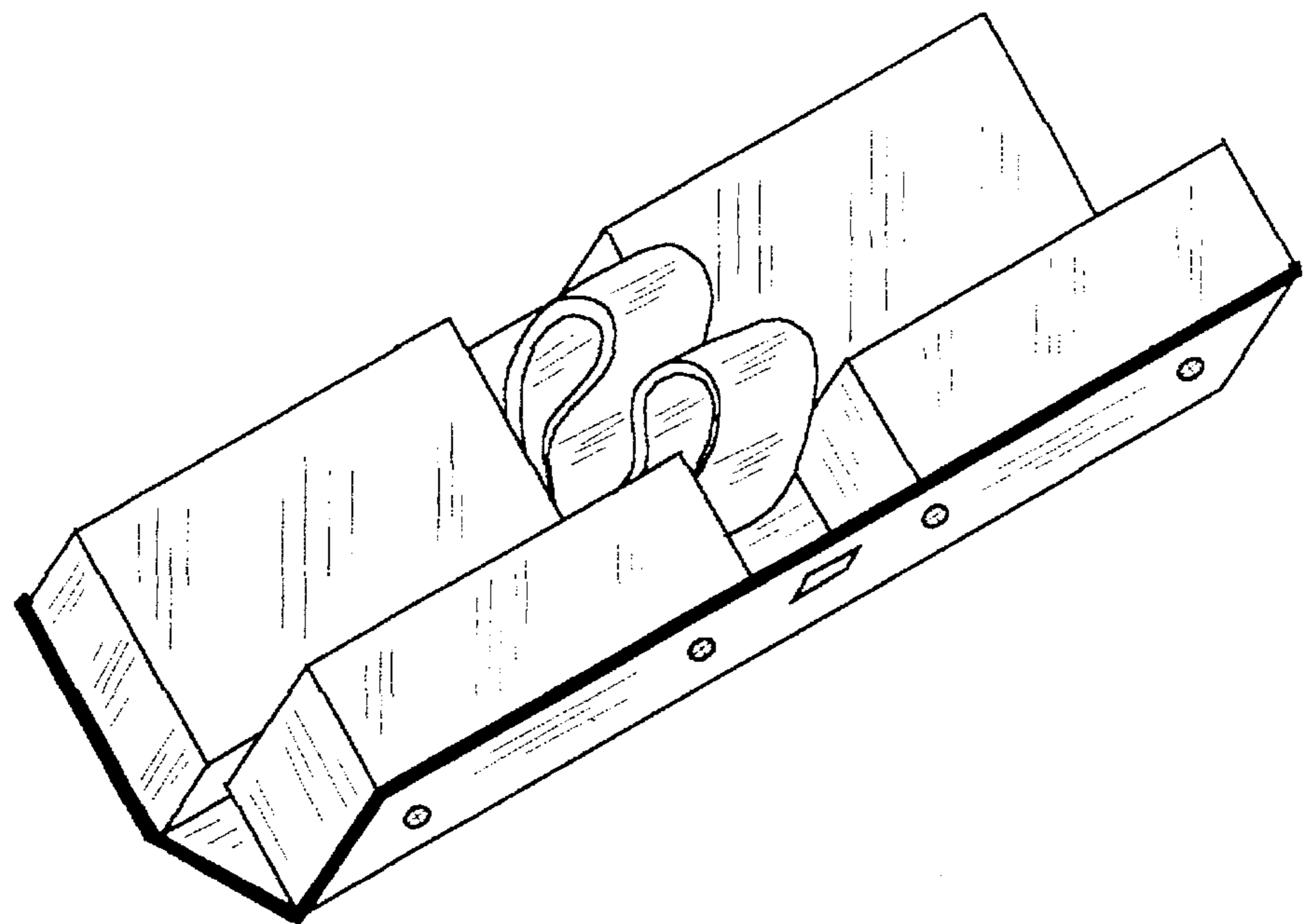


FIG. 5