



US00D363524S

United States Patent [19]

[11] Patent Number: **Des. 363,524**

Ziegler, Jr.; et al.

[45] Date of Patent: ****Oct. 24, 1995**

[54] **SWING SUPPORT**

[75] Inventors: **William H. Ziegler, Jr.; Robert J. Boudreau**, both of Bedford; **Russell J. Coddington, Jr.**, Imperial, all of Pa.

[73] Assignee: **Hedstrom Corporation**, Bedford, Pa.

[**] Term: **14 Years**

[21] Appl. No.: **28,934**

[22] Filed: **Sep. 26, 1994**

[52] U.S. Cl. **D21/246**

[58] Field of Search **D21/240-246; 482/35-37; 472/118**

[56] **References Cited**

U.S. PATENT DOCUMENTS

D. 246,477	11/1977	Callecod	D21/242
3,570,848	3/1971	Bowen	482/34
5,330,400	7/1994	Huberman	482/35

Primary Examiner—Terry A. Wallace
Assistant Examiner—Mitchell I. Siegel
Attorney, Agent, or Firm—Cesari and McKenna

[57] **CLAIM**

The ornamental design for a swing support, as shown.

DESCRIPTION

FIG. 1 is a perspective view of a swing support showing our new design;

FIG. 2 is an enlarged elevational view taken on line 2—2 of FIG. 4;

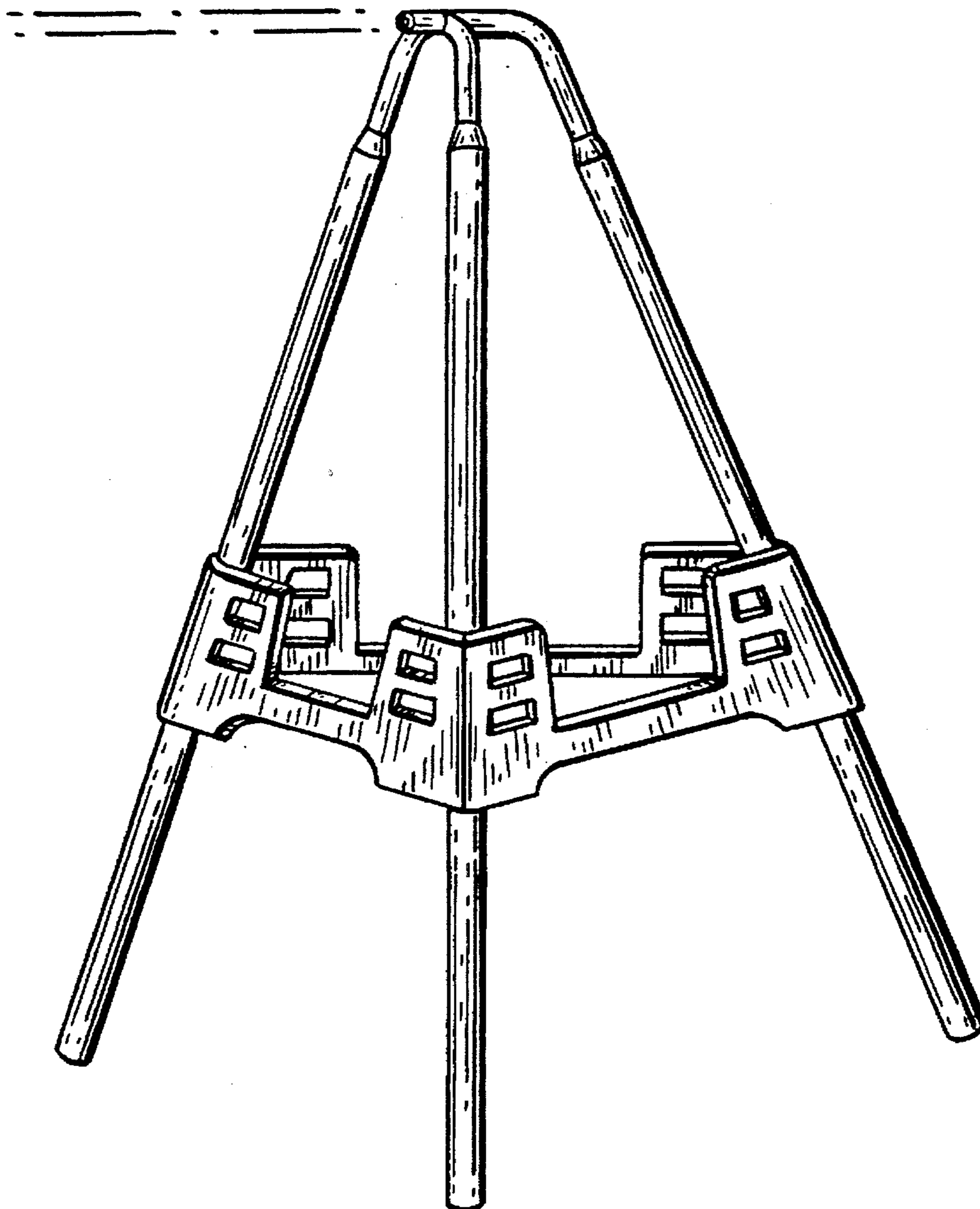
FIG. 3 is an enlarged elevational view taken on line 3—3 of FIG. 4;

FIG. 4 is a top plan view of FIG. 2; and,

FIG. 5 is a bottom plan view of FIG. 2.

The broken line is for illustrative purposes only and forms no part of the claimed design.

1 Claim, 5 Drawing Sheets



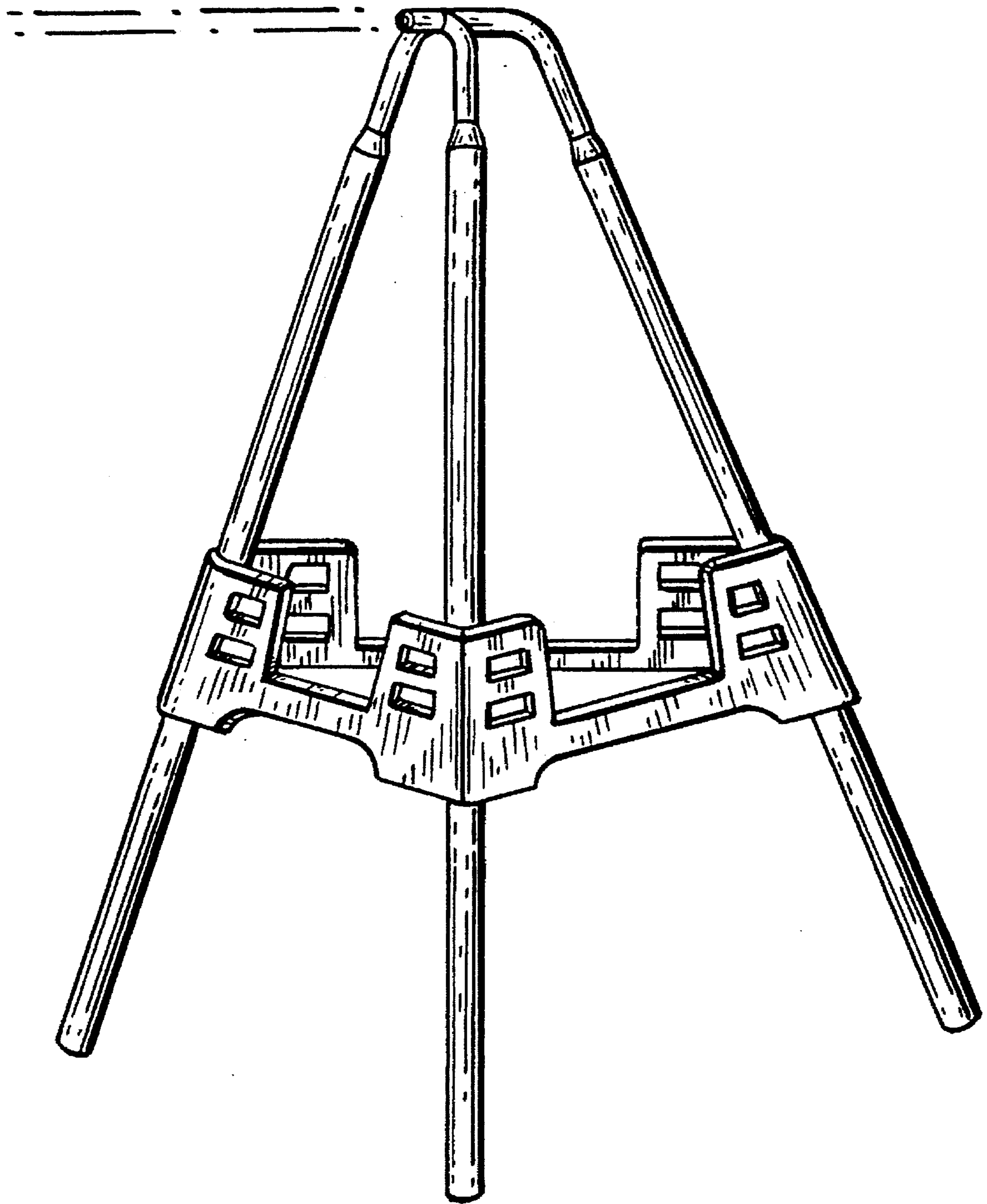


FIG. 1

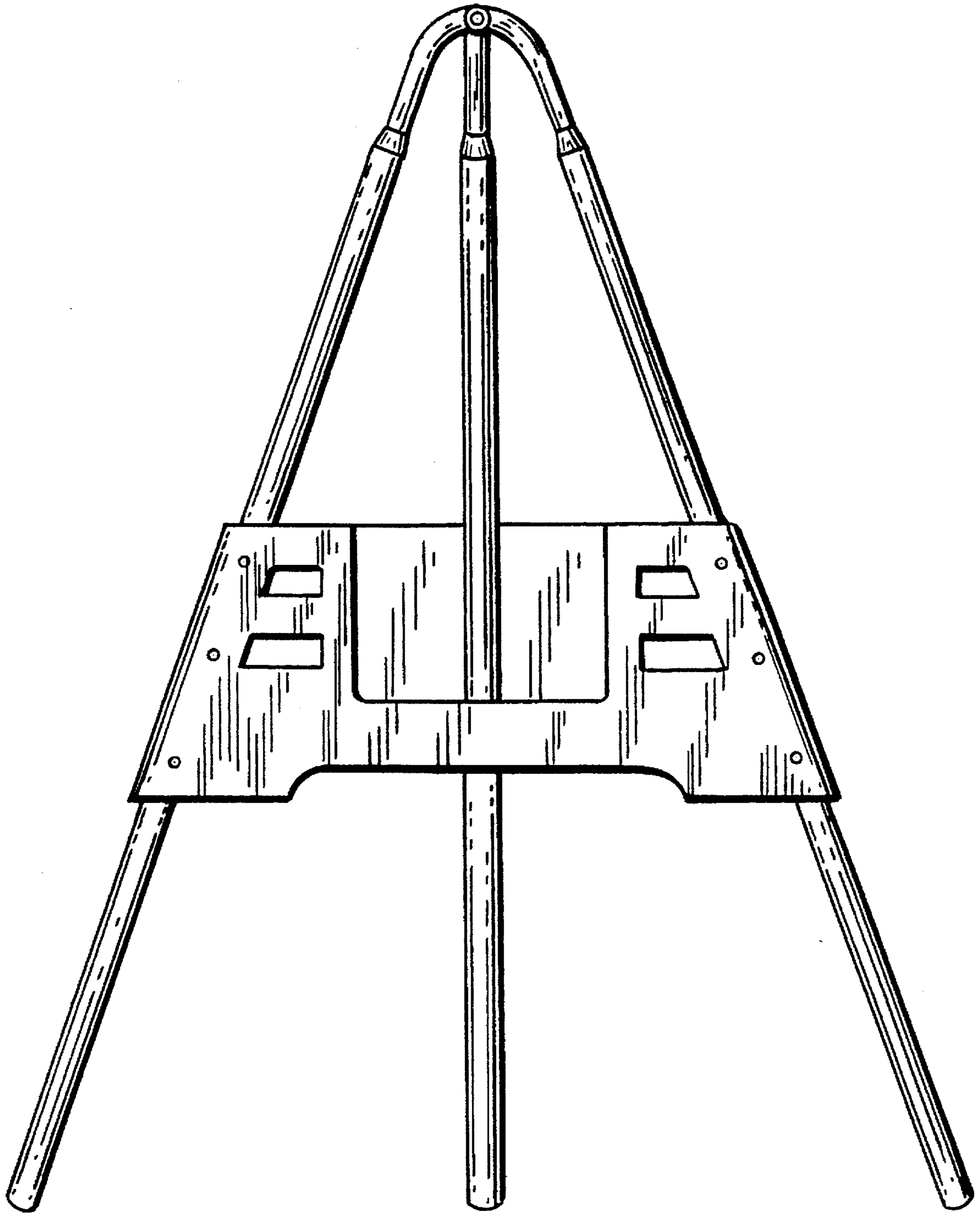


FIG. 2

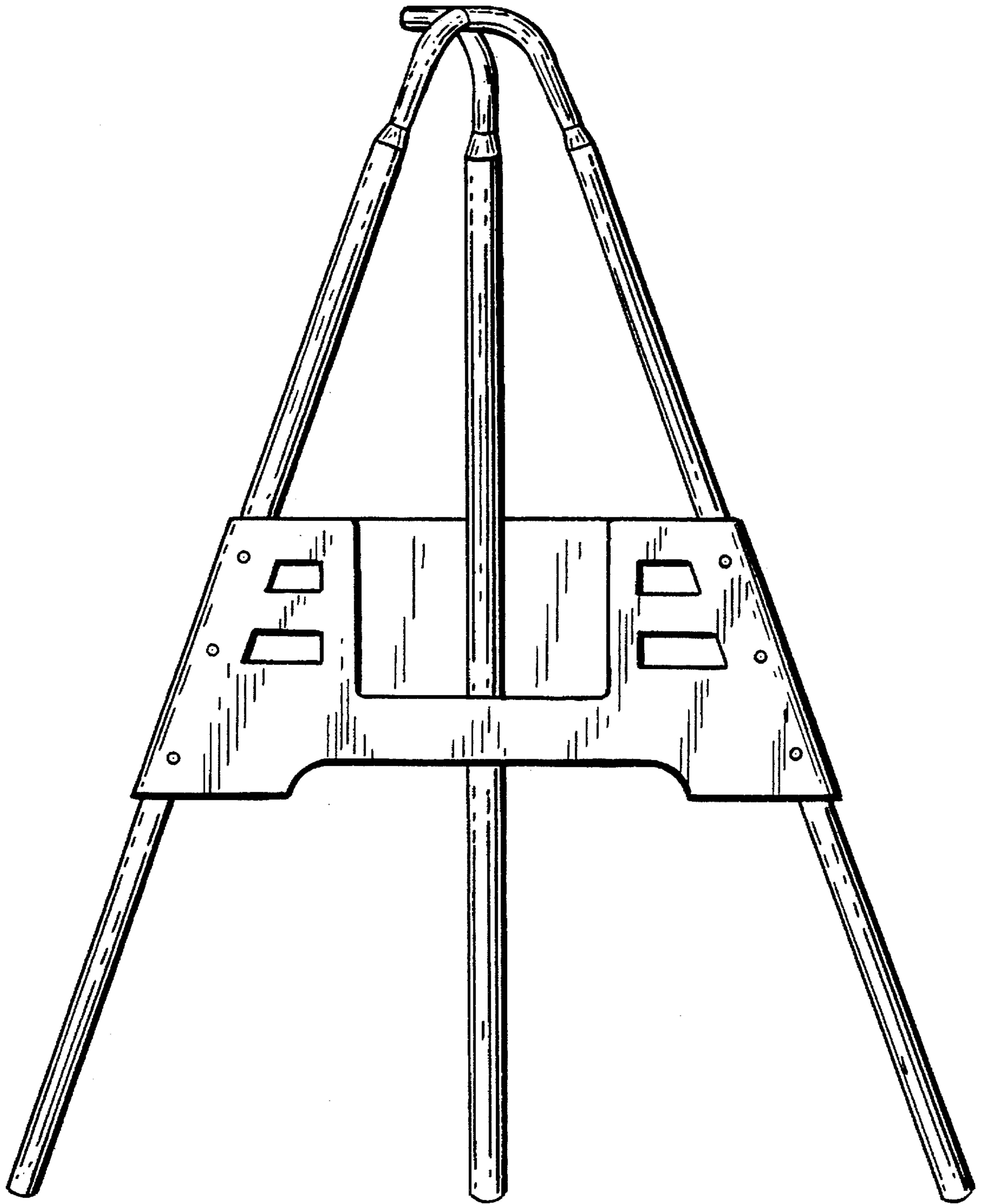


FIG.3

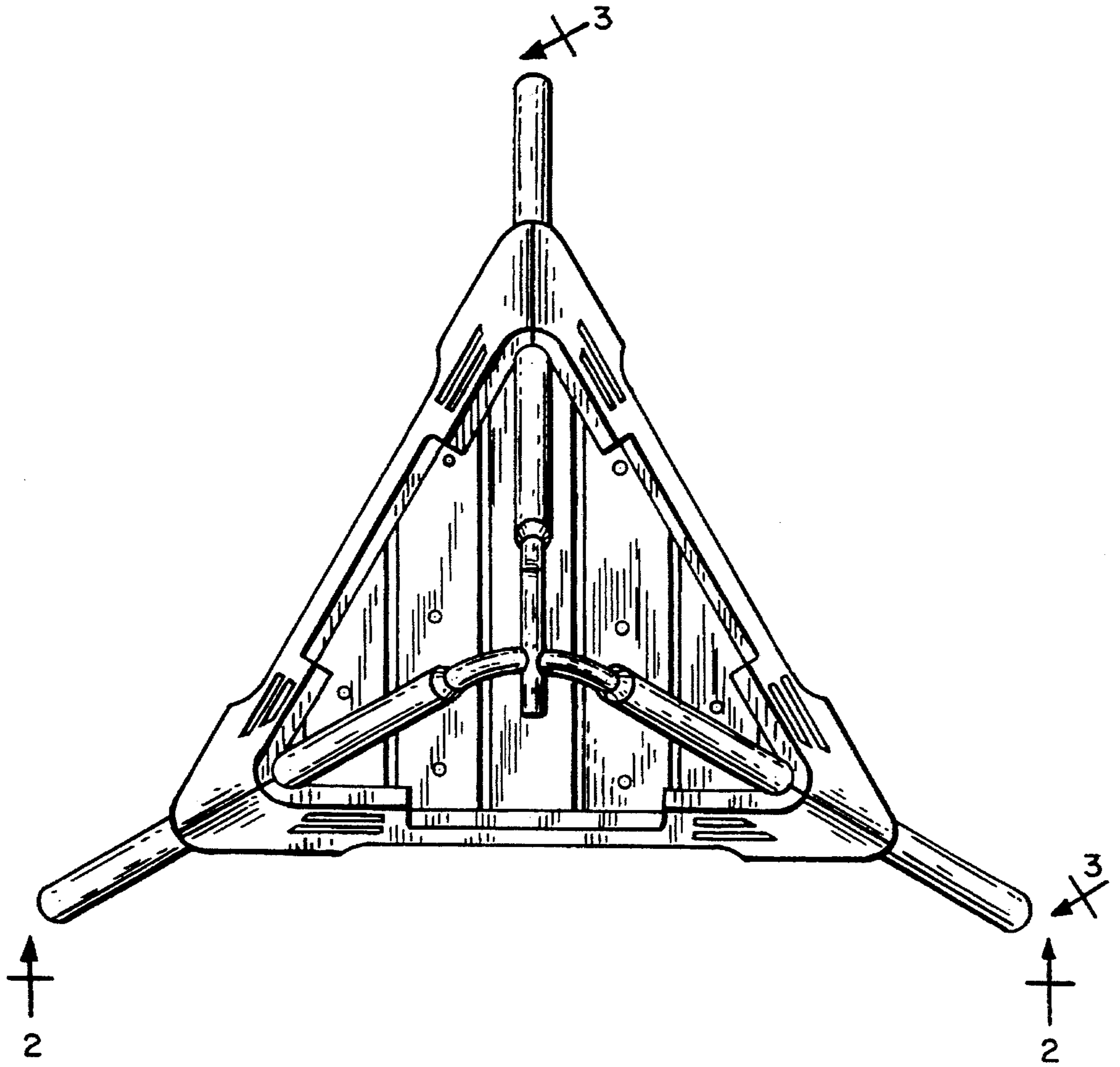


FIG. 4

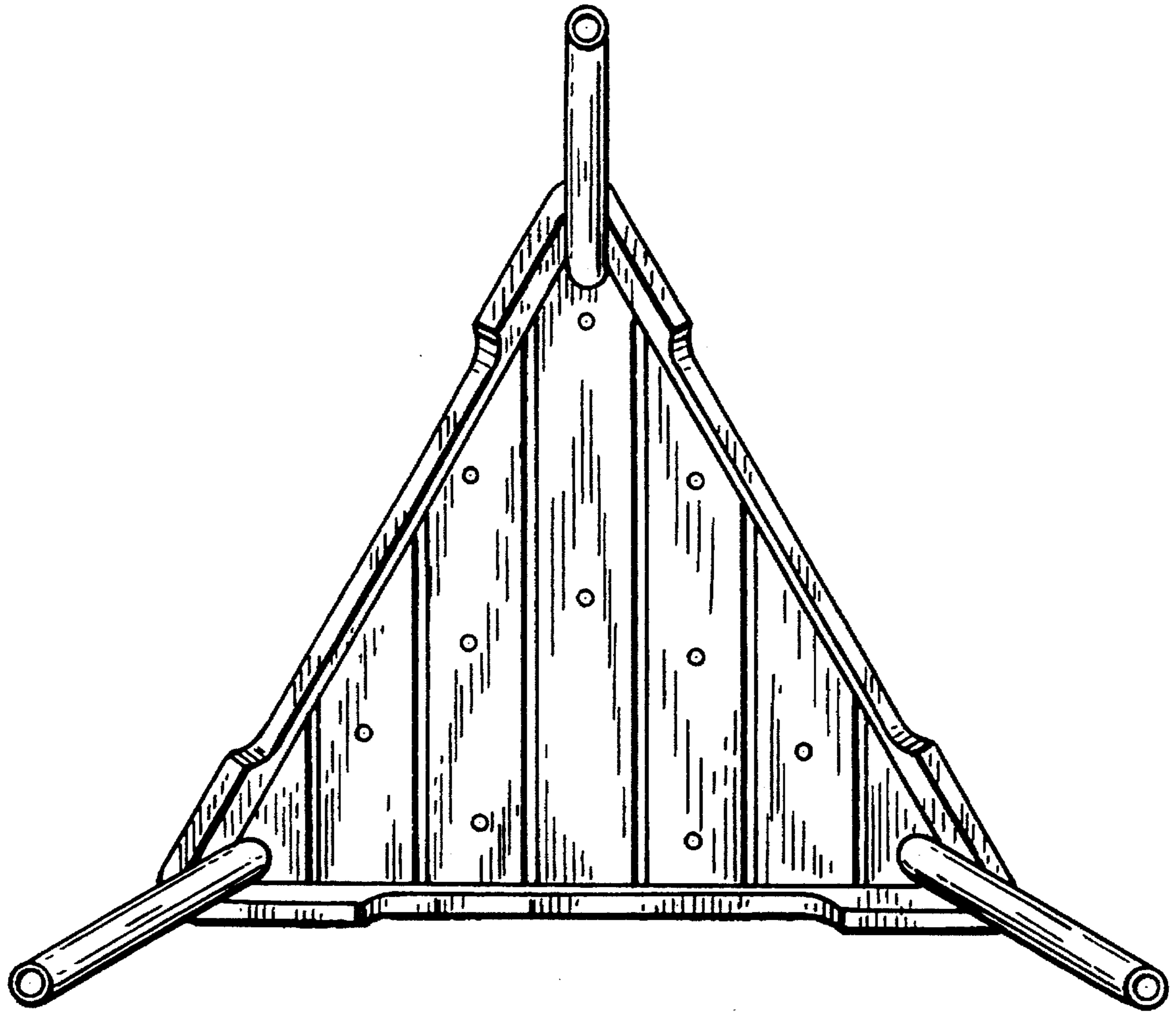


FIG. 5