



US00D363520S

**United States Patent** [19]

[11] **Patent Number: Des. 363,520**

**Melillo**

[45] **Date of Patent: \*\*Oct. 24, 1995**

[54] **GOLF ACCESSORIES HOLDER**

5,054,777 10/1991 Borden et al. .... D3/254 X

[76] Inventor: **Daniel T. Melillo**, 2220 Nelson Ave.,  
Redondo Beach, Calif. 90278

*Primary Examiner*—Melvin B. Feifer  
*Assistant Examiner*—Cheri Cohen  
*Attorney, Agent, or Firm*—Fulwider Patton Lee & Utecht

[\*\*] Term: **14 Years**

[57] **CLAIM**

[21] Appl. No.: **21,007**

The ornamental design for a golf accessories holder, as shown and described.

[22] Filed: **Apr. 7, 1994**

[52] U.S. Cl. .... **D21/234; D3/221**

**DESCRIPTION**

[58] **Field of Search** ..... D21/234; 273/32 D;  
D3/215, 221, 224, 228, 254; 224/918, 919,  
163; 206/315.9, 315.1

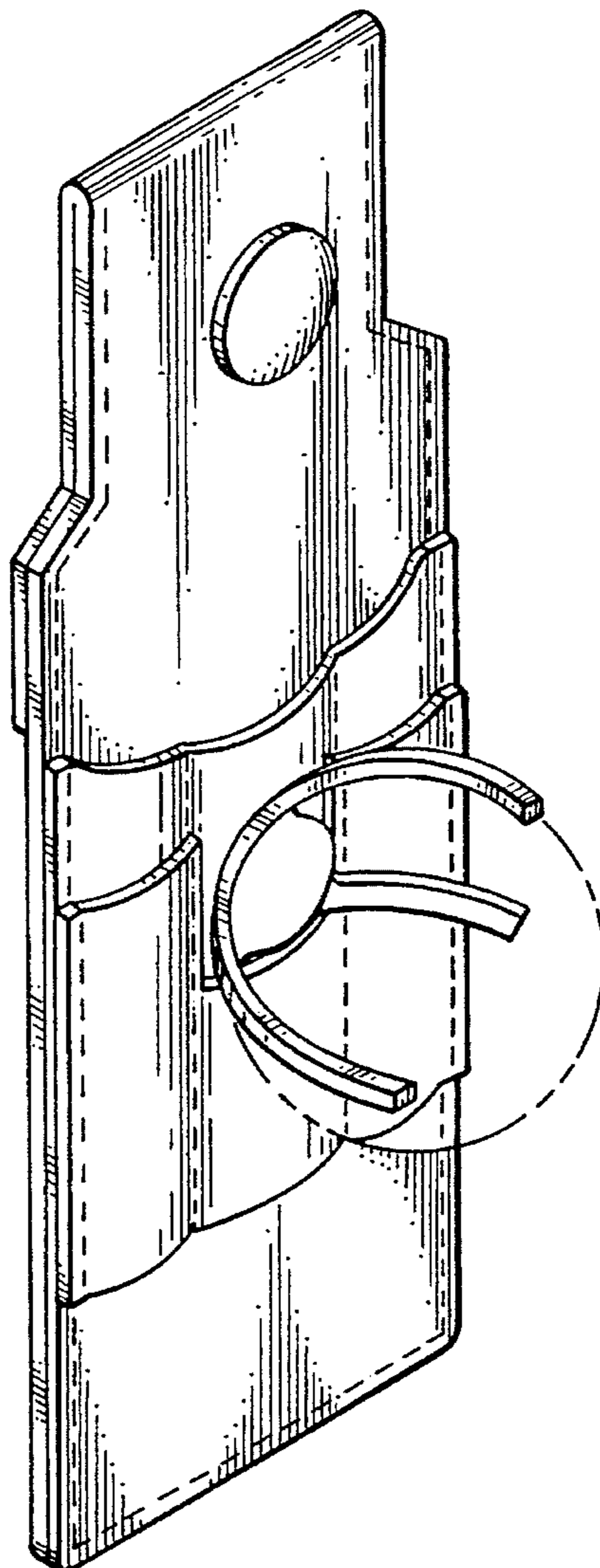
FIG. 1 is a front perspective view of a golf accessories holder showing my new design;  
FIG. 2 is a front elevational view thereof;  
FIG. 3 is a top plan view thereof;  
FIG. 4 is a bottom plan view thereof;  
FIG. 5 is a rear elevational view thereof; and,  
FIG. 6 is a right side elevational view thereof, of which the left side elevational view is a mirror image.  
The broken line showing of the golf ball is for illustrative purposes only and forms no part of the claimed design.

[56] **References Cited**

**U.S. PATENT DOCUMENTS**

D. 251,037	2/1979	Cudahy, III	.....	D3/221
D. 274,830	7/1984	Lynch	.....	D3/224 X
D. 277,900	3/1985	Reed	.....	D3/224
2,665,830	1/1954	Fowler	.....	224/918 X
4,736,877	4/1988	Clark	.....	273/32 D X
4,784,305	11/1988	Schoenberg	.....	206/315.1 X

**1 Claim, 2 Drawing Sheets**



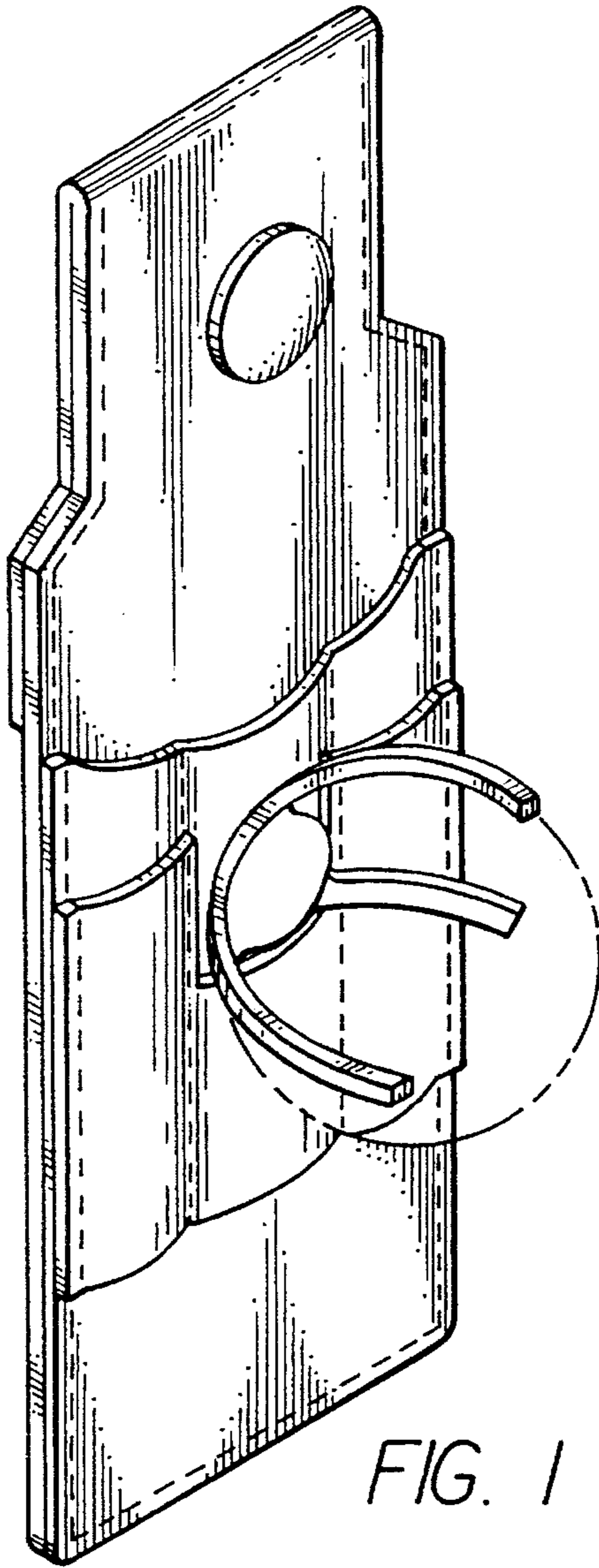


FIG. 1

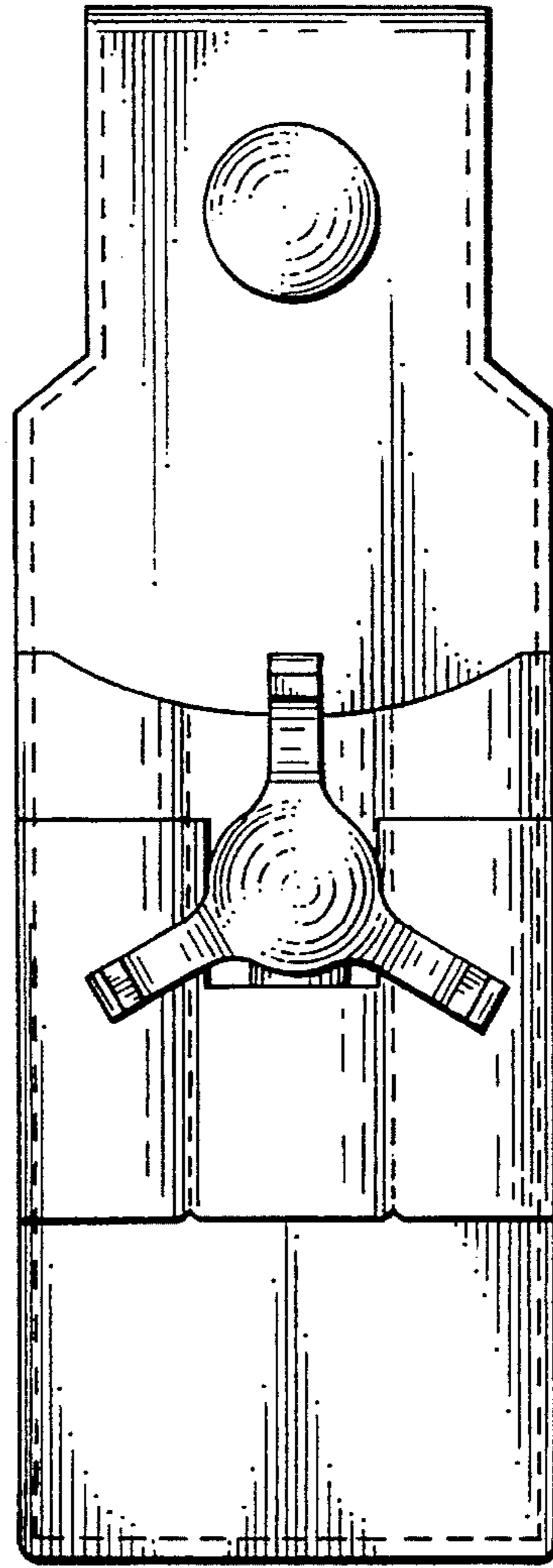


FIG. 2

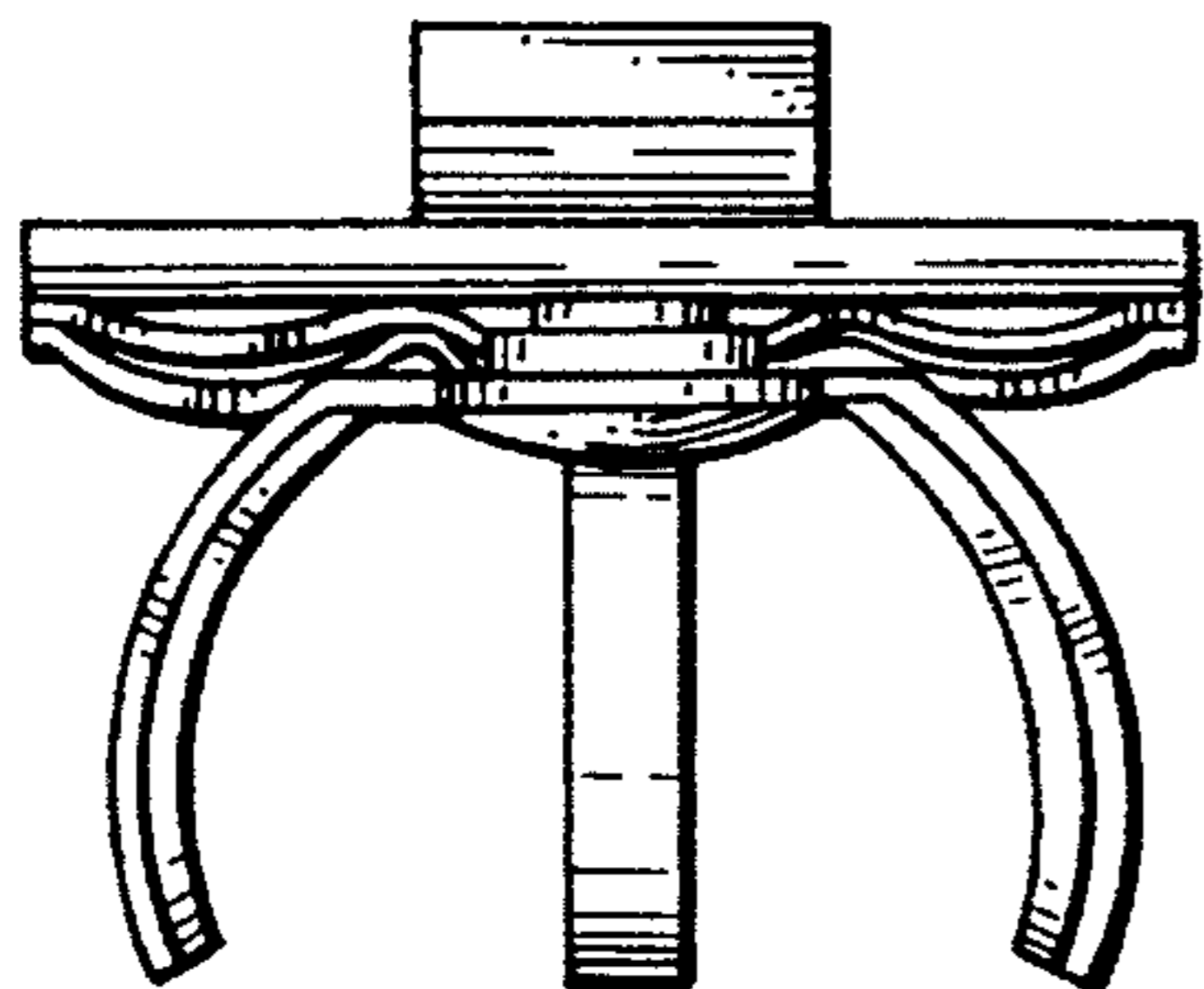


FIG. 3

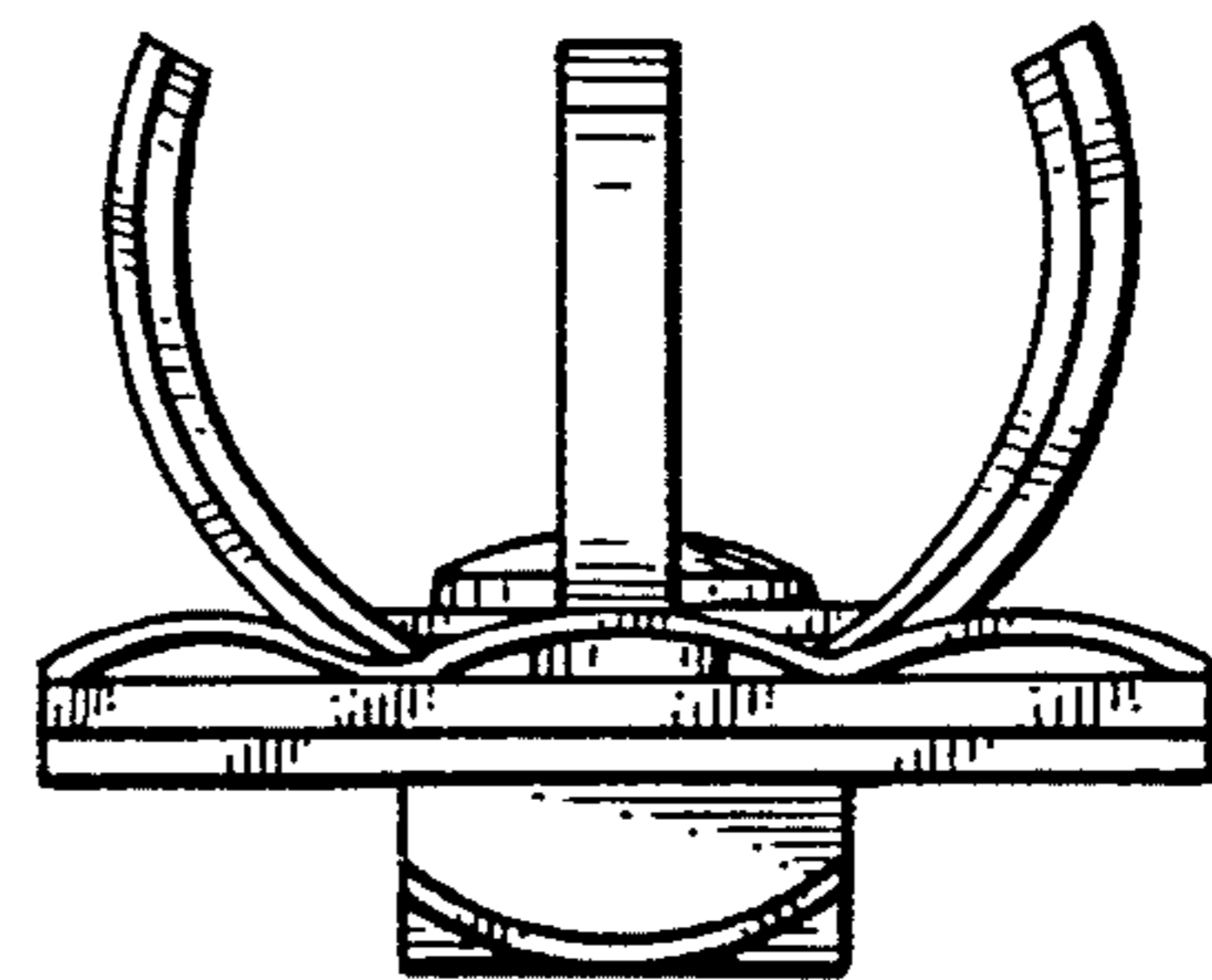


FIG. 4

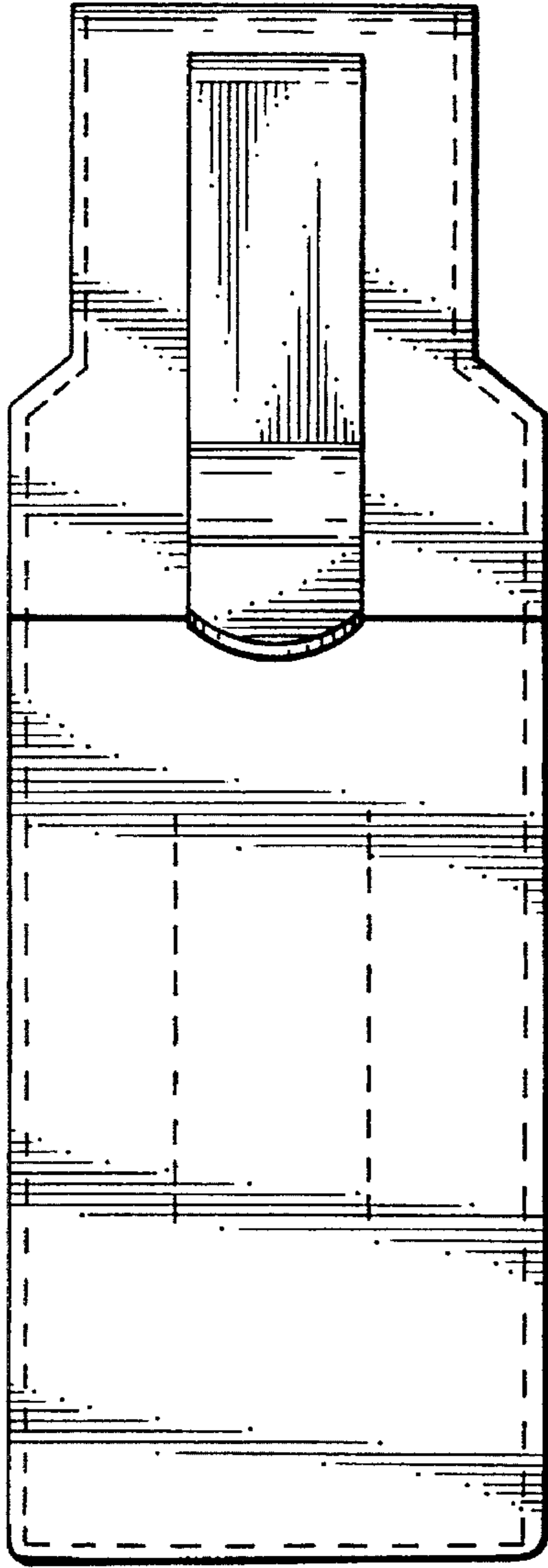


FIG. 5

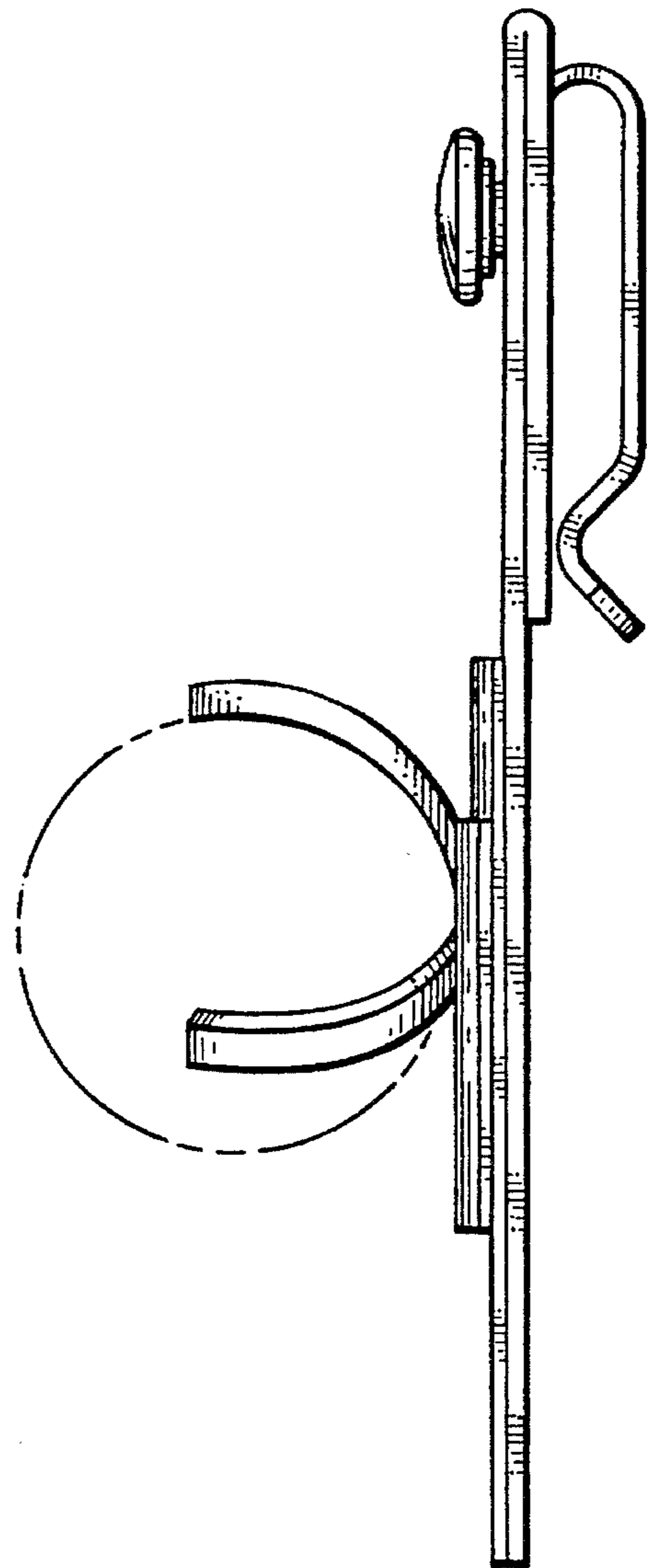


FIG. 6