



US00D363516S

**United States Patent** [19]  
**Mathiesen**

[11] **Patent Number: Des. 363,516**  
[45] **Date of Patent: \*\*Oct. 24, 1995**

[54] **WHEELED TOY BUILDING ELEMENT**

4,631,040 12/1986 Shiraishi ..... 446/95  
4,993,983 2/1991 Kurita et al. .... 446/93

[75] Inventor: **Thomas Mathiesen**, Ringsted, Denmark

*Primary Examiner*—Theodore M. Shooman

[73] Assignee: **Interlego AG**, Baar, Switzerland

*Assistant Examiner*—R. Barkai

[\*\*] Term: **14 Years**

*Attorney, Agent, or Firm*—Kane, Dalsimer, Sullivan,  
Kurucz, Levy, Eisele and Richard

[21] Appl. No.: **29,187**

[57] **CLAIM**

[22] Filed: **Sep. 29, 1994**

The ornamental design for a wheeled toy building element,  
as shown and described.

[52] U.S. Cl. .... **D21/108; D21/137**

**DESCRIPTION**

[58] **Field of Search** ..... D21/108, 128,  
D21/136, 137, 161, 162, 165, 190; 446/93,  
95, 97, 100, 121, 125, 128, 470, 471, 465

FIG. 1 is a top perspective view of the wheeled toy building  
element showing my new design;

[56] **References Cited**

FIG. 2 is a bottom perspective view thereof;

**U.S. PATENT DOCUMENTS**

FIG. 3 is a left side elevational view thereof, the right side  
being identical;

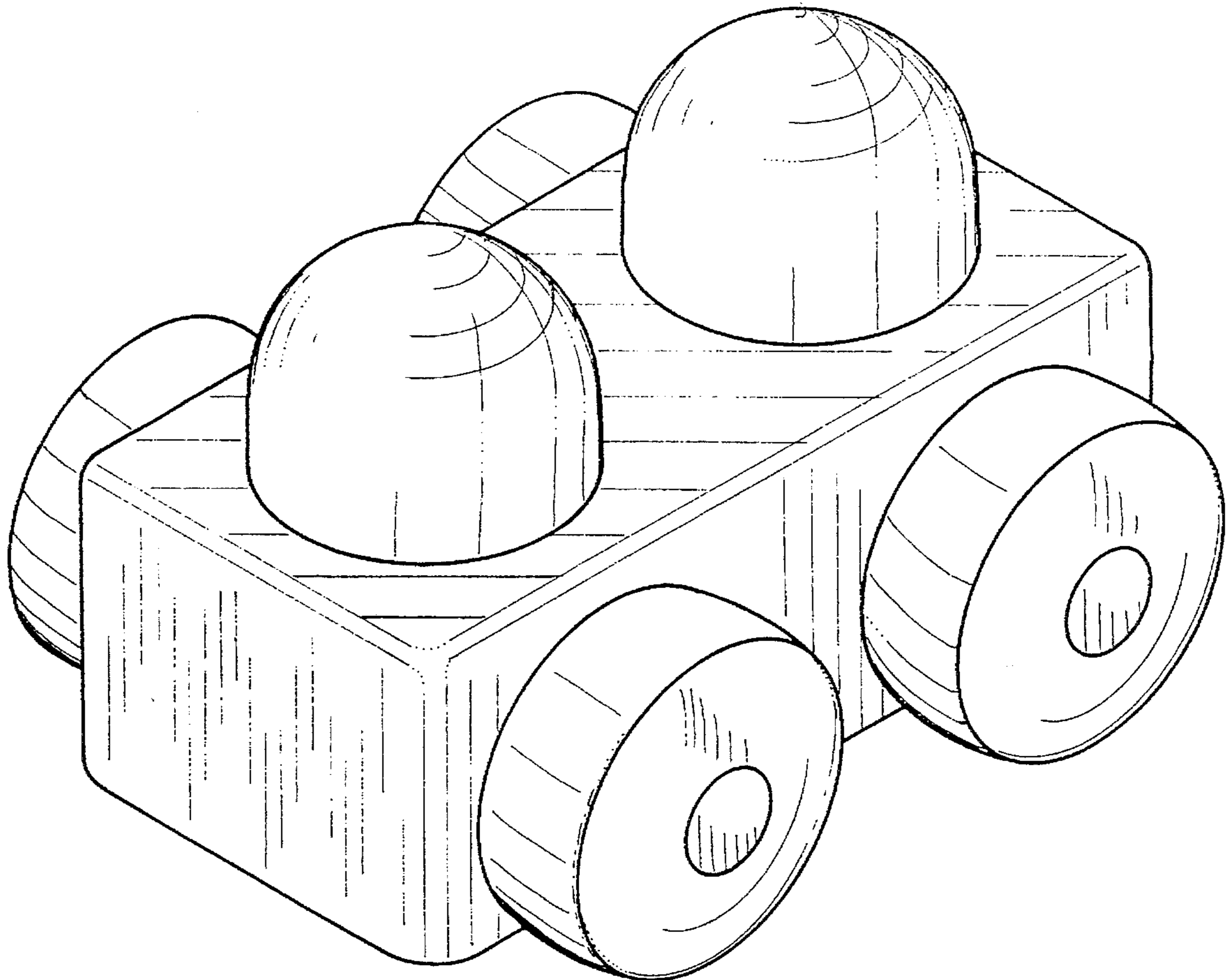
D. 294,373	2/1988	Bertrand	.....	D21/108
D. 325,052	3/1992	Andersen	.....	D21/108
1,668,360	5/1938	Fisher	.....	446/95
1,845,201	2/1932	Shepard	.....	446/93
3,224,135	12/1965	Wright et al.	.....	446/21
4,375,139	3/1983	Chatani	.....	446/471

FIG. 4 is a front elevational view thereof, the rear side being  
identical;

FIG. 5 is a bottom plan view thereof; and,

FIG. 6 is a top plan view thereof.

**1 Claim, 3 Drawing Sheets**



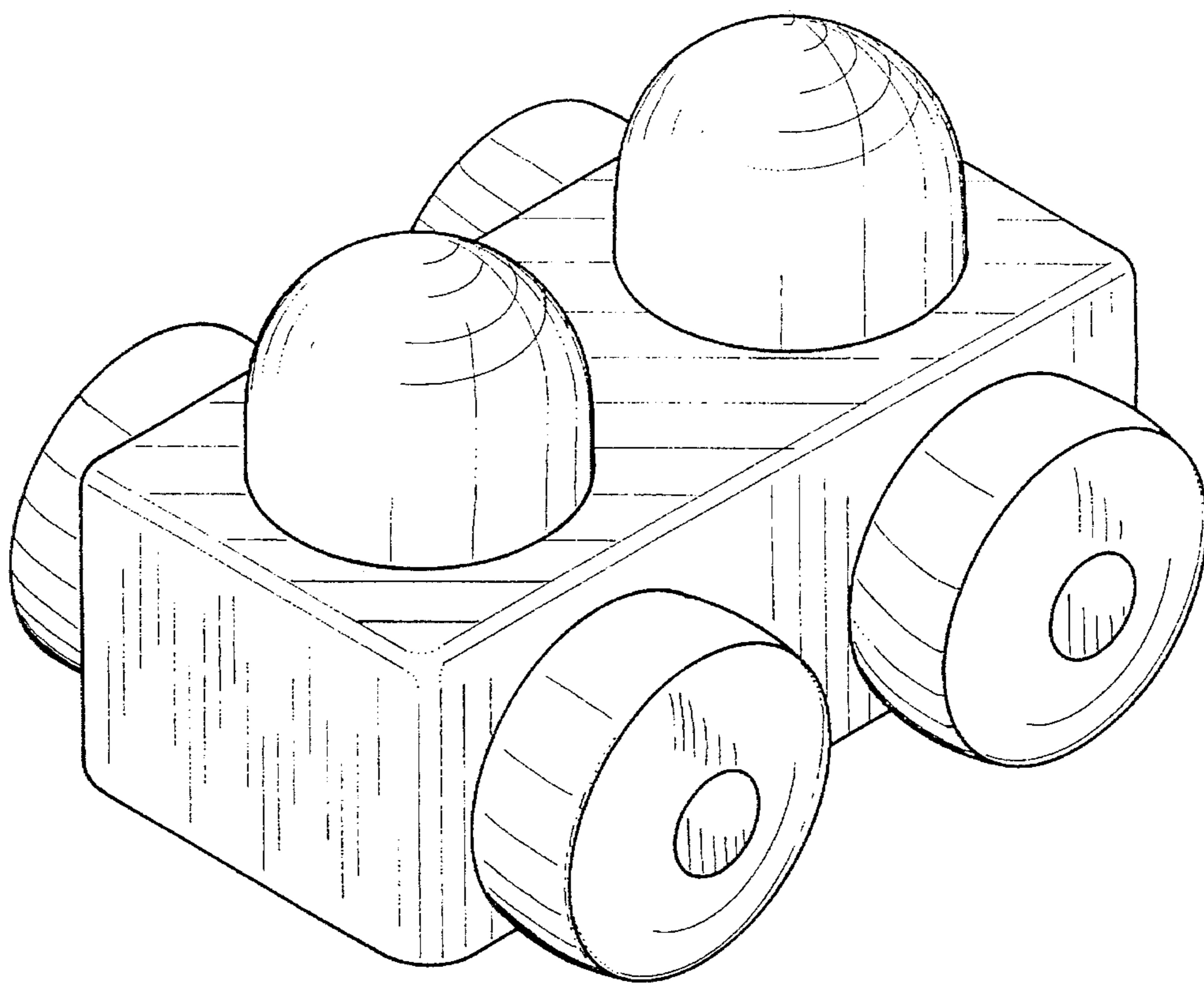


FIG. 1

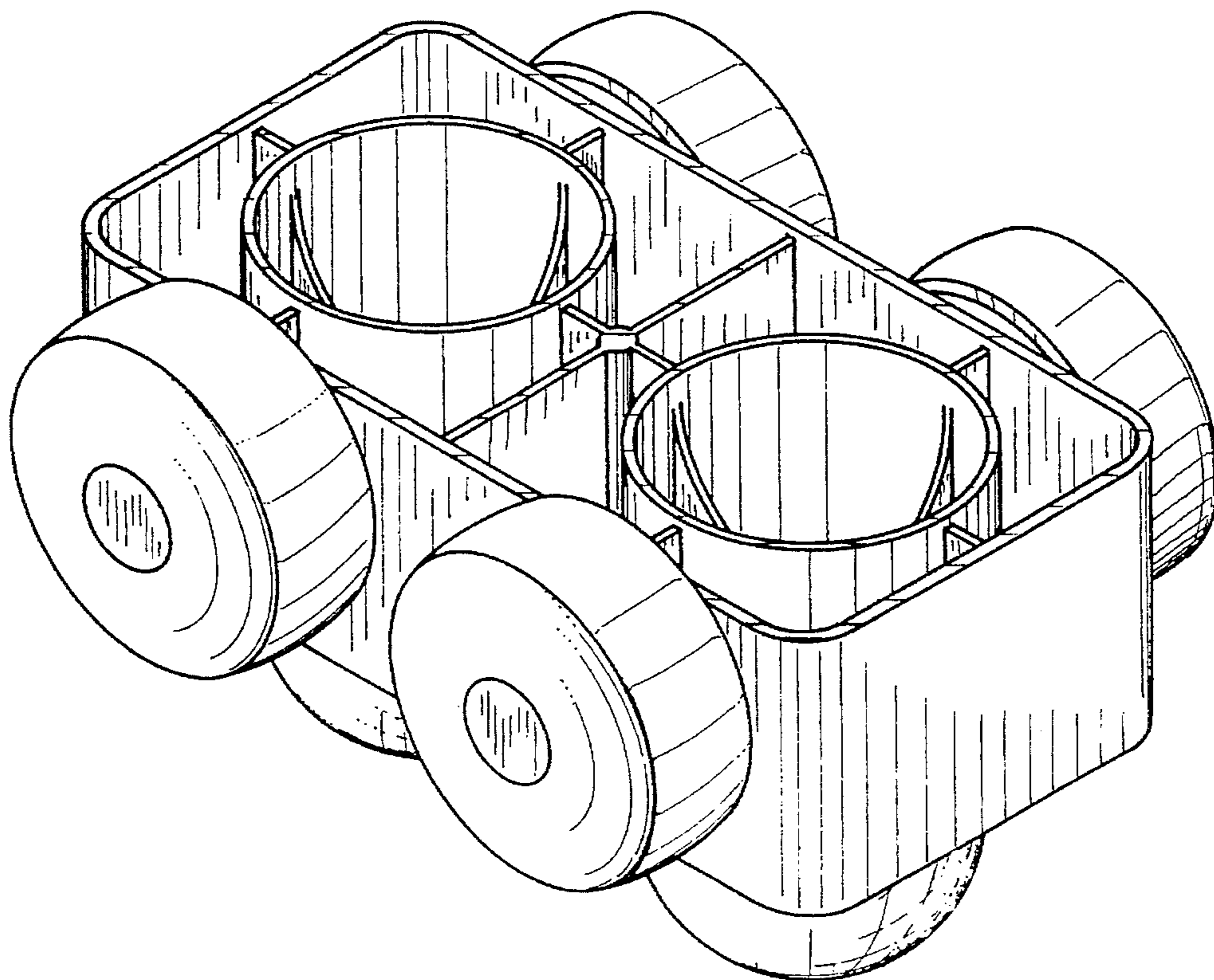


FIG. 2

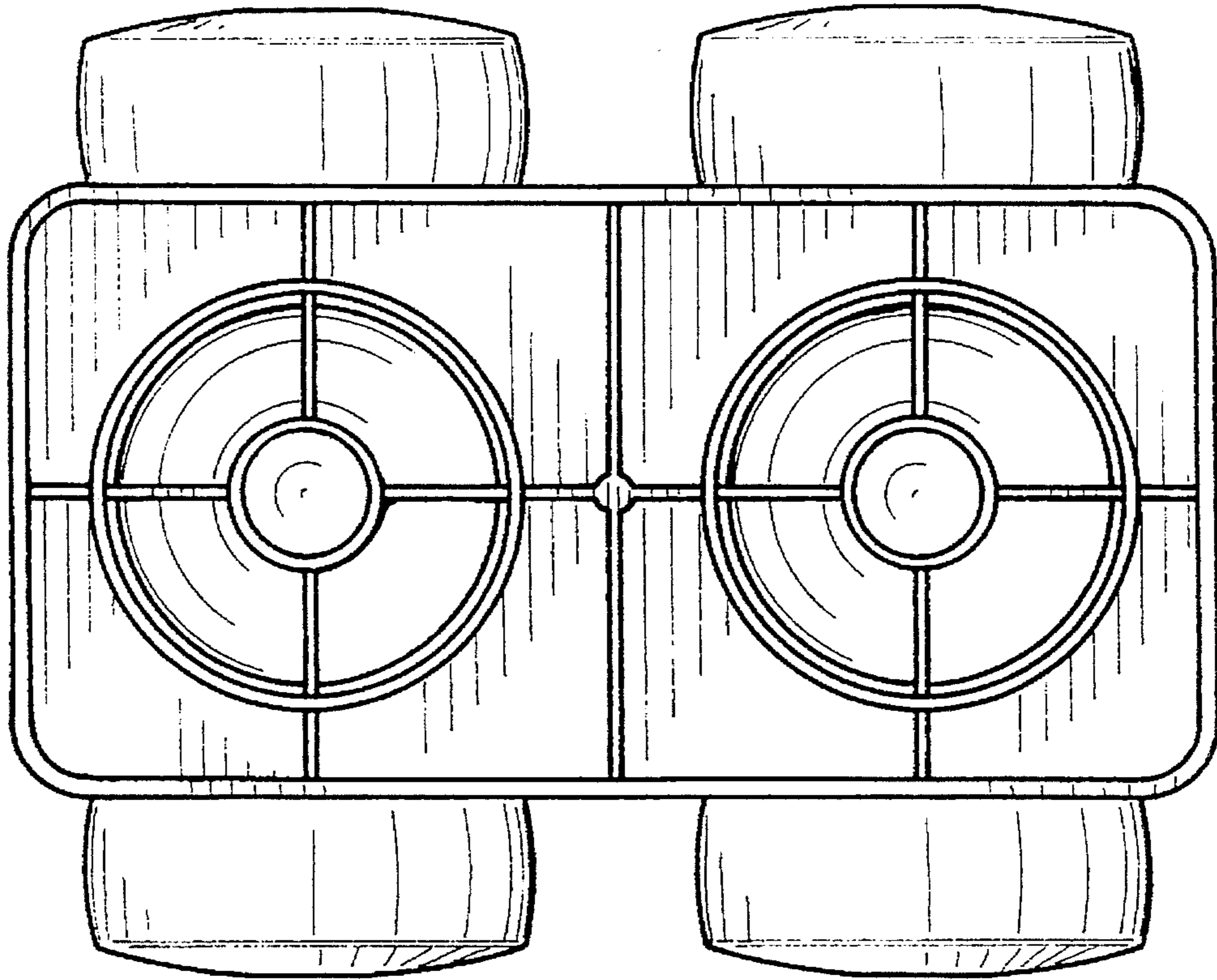


FIG. 5

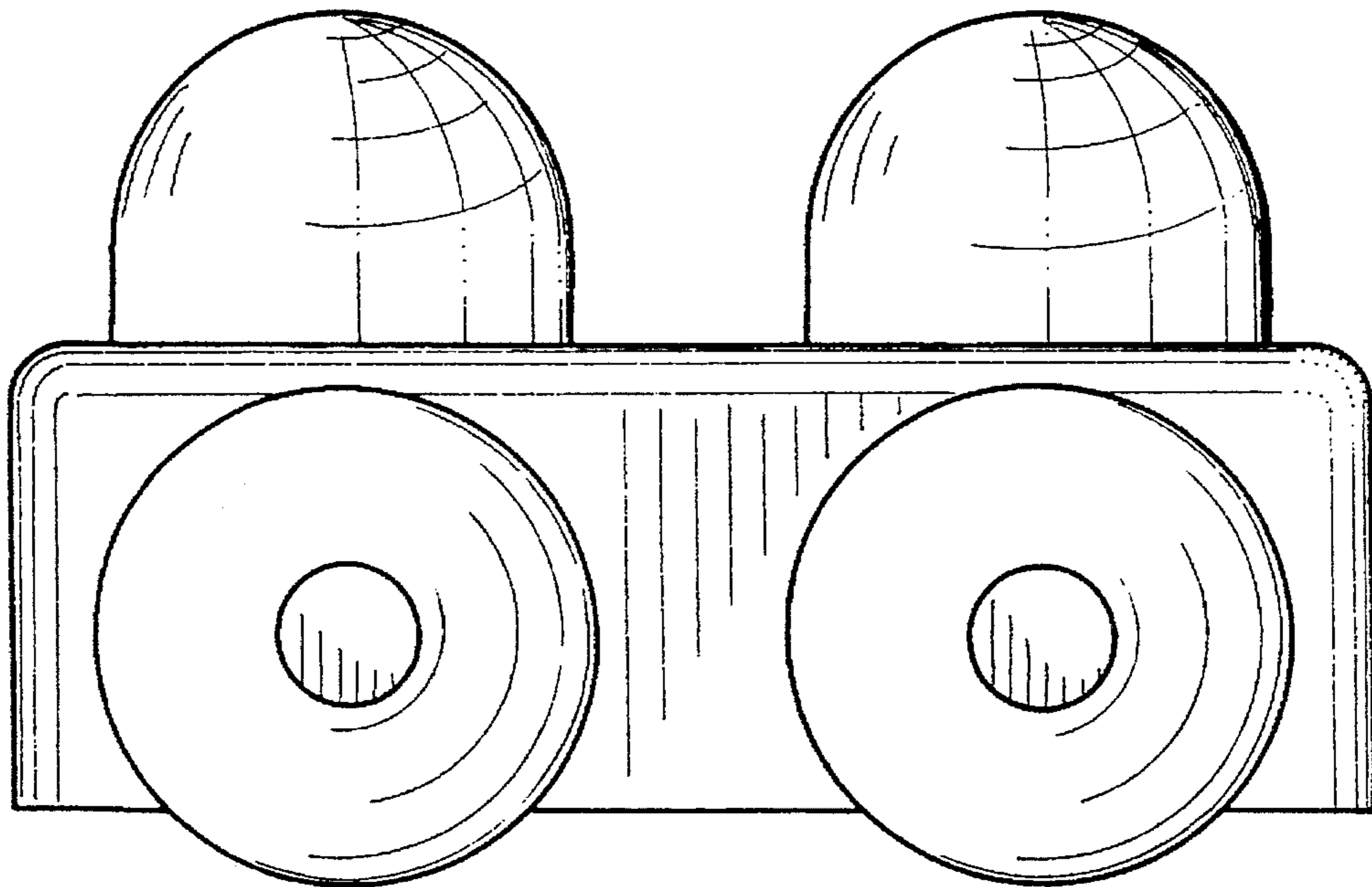


FIG. 3

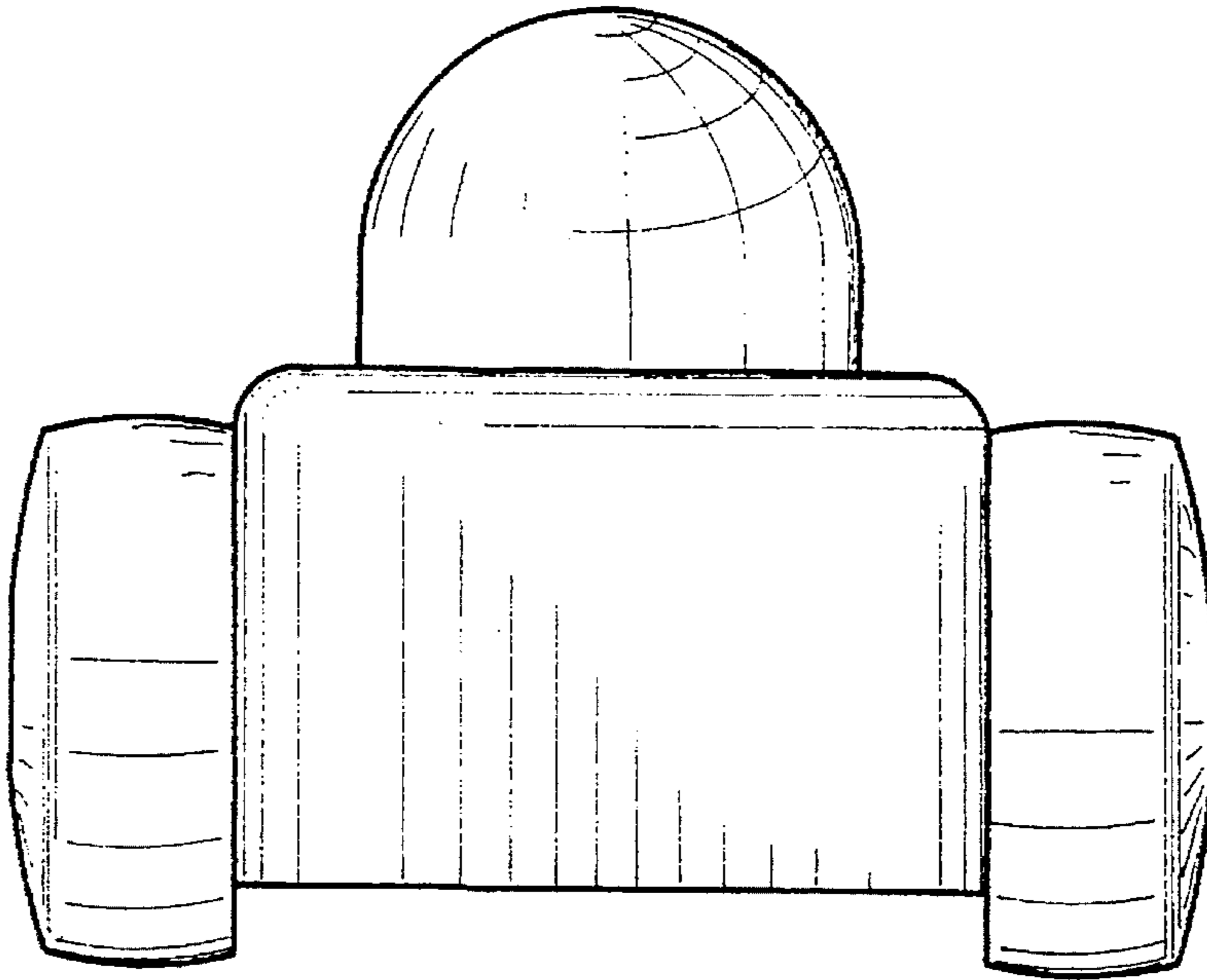


FIG. 4

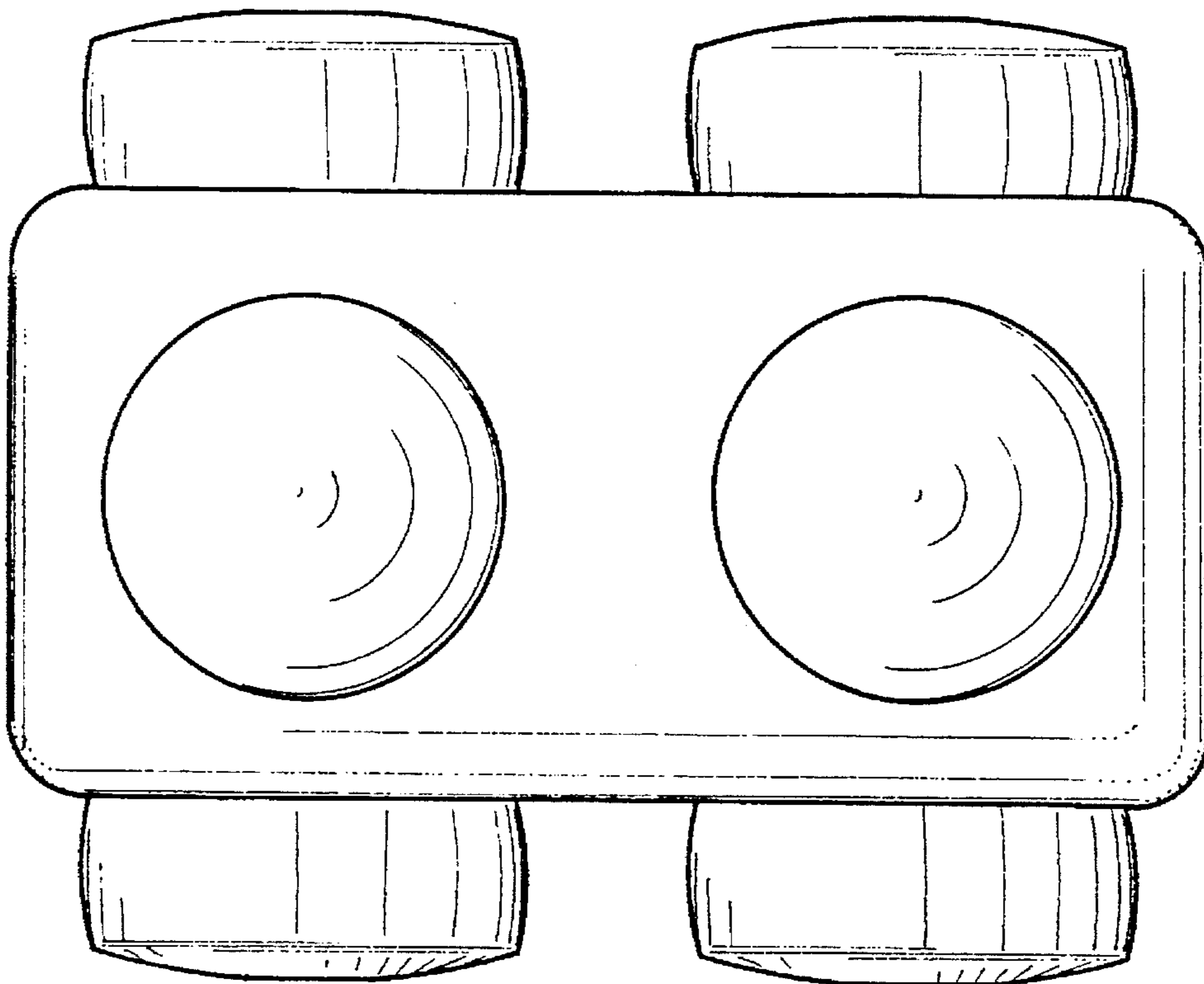


FIG. 6