



US00D363513S

United States Patent [19] Frederiksen

[11] Patent Number: **Des. 363,513**

[45] Date of Patent: ****Oct. 24, 1995**

[54] TOY BUILDING ELEMENT

4,581,793 4/1986 Micklitz 446/95

[75] Inventor: **Jesper B. Frederiksen**, Nykøbing F., Denmark

[73] Assignee: **INTERLEGO AG**, Baar, Switzerland

[**] Term: **14 Years**

[21] Appl. No.: **29,147**

[22] Filed: **Sep. 29, 1994**

[52] U.S. Cl. **D21/108**

[58] Field of Search D21/108, 59, 148, D21/168, 161, 162, 165, 190; 446/93, 95, 97, 100, 121, 125, 128

[56] **References Cited**

U.S. PATENT DOCUMENTS

D. 266,101	9/1982	Grubb et al.	D21/108
D. 277,686	2/1985	Chatani et al.	D21/108
D. 281,185	10/1985	Kato et al.	D21/108
D. 291,099	7/1987	Bertrand	D21/108
D. 325,605	4/1992	Holmstrom	D21/108
D. 329,066	9/1992	Jarnros	D21/108
D. 330,055	10/1992	Jarnros	D21/108
D. 352,744	11/1994	Ryaa et al.	D21/108
2,013,771	9/1935	Tompkins	446/121

OTHER PUBLICATIONS

Childcraft p. 29 "Gears" top of page.
Derwent Publications 1985.

Primary Examiner—Theodore M. Shooman
Assistant Examiner—R. Barkai
Attorney, Agent, or Firm—Kane, Dalsimer, Sullivan, Kurucz, Levy, Eisele and Richard

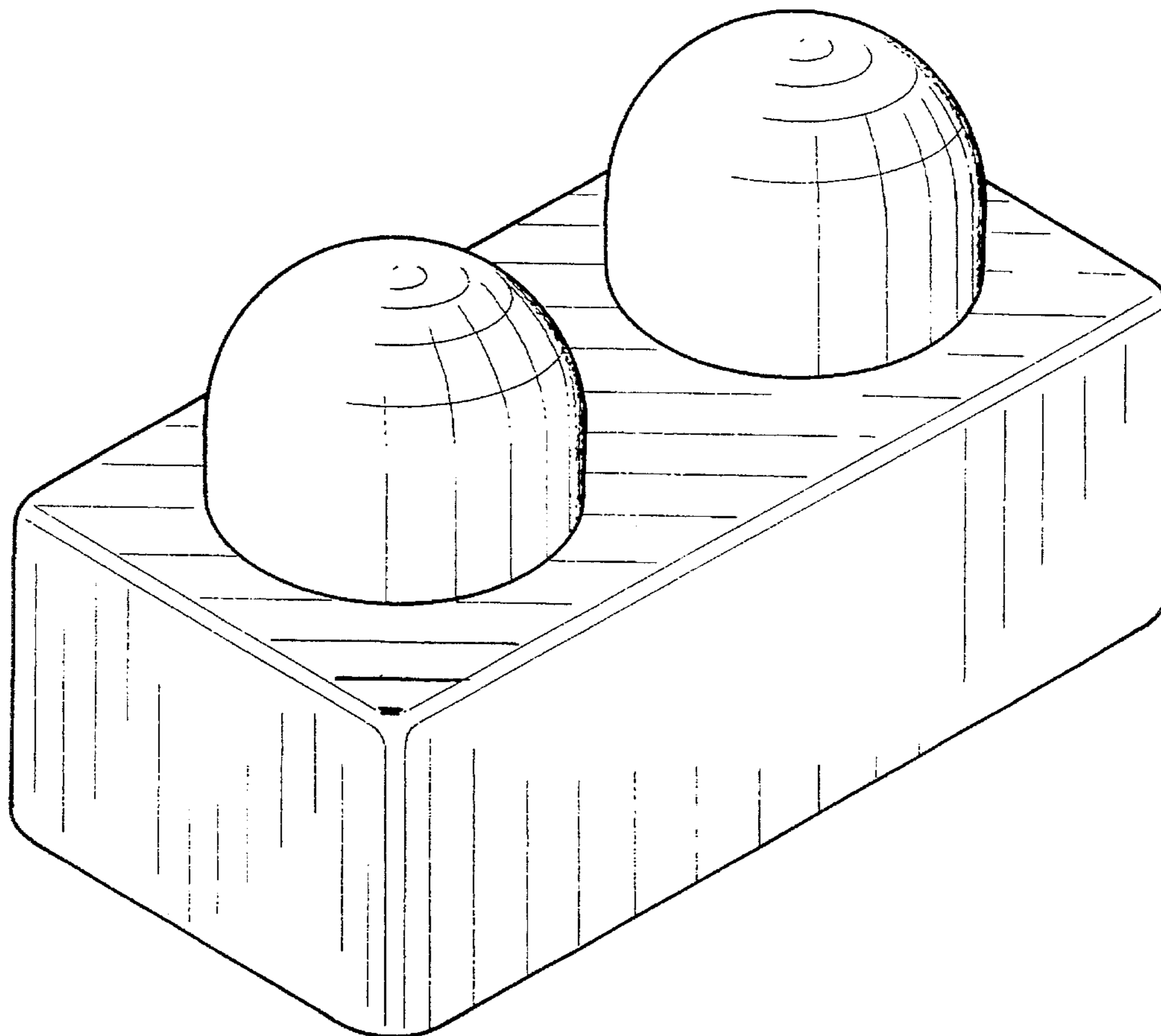
[57] **CLAIM**

The ornamental design for a toy building element, as shown and described.

DESCRIPTION

FIG. 1 is a top perspective view of the toy building element showing my new design;
FIG. 2 is a bottom perspective view thereof;
FIG. 3 is a front elevational view thereof, the rear side being identical;
FIG. 4 is a left side elevational view thereof, the right side being identical;
FIG. 5 is a bottom plan view thereof; and,
FIG. 6 is a top plan view thereof.

1 Claim, 2 Drawing Sheets



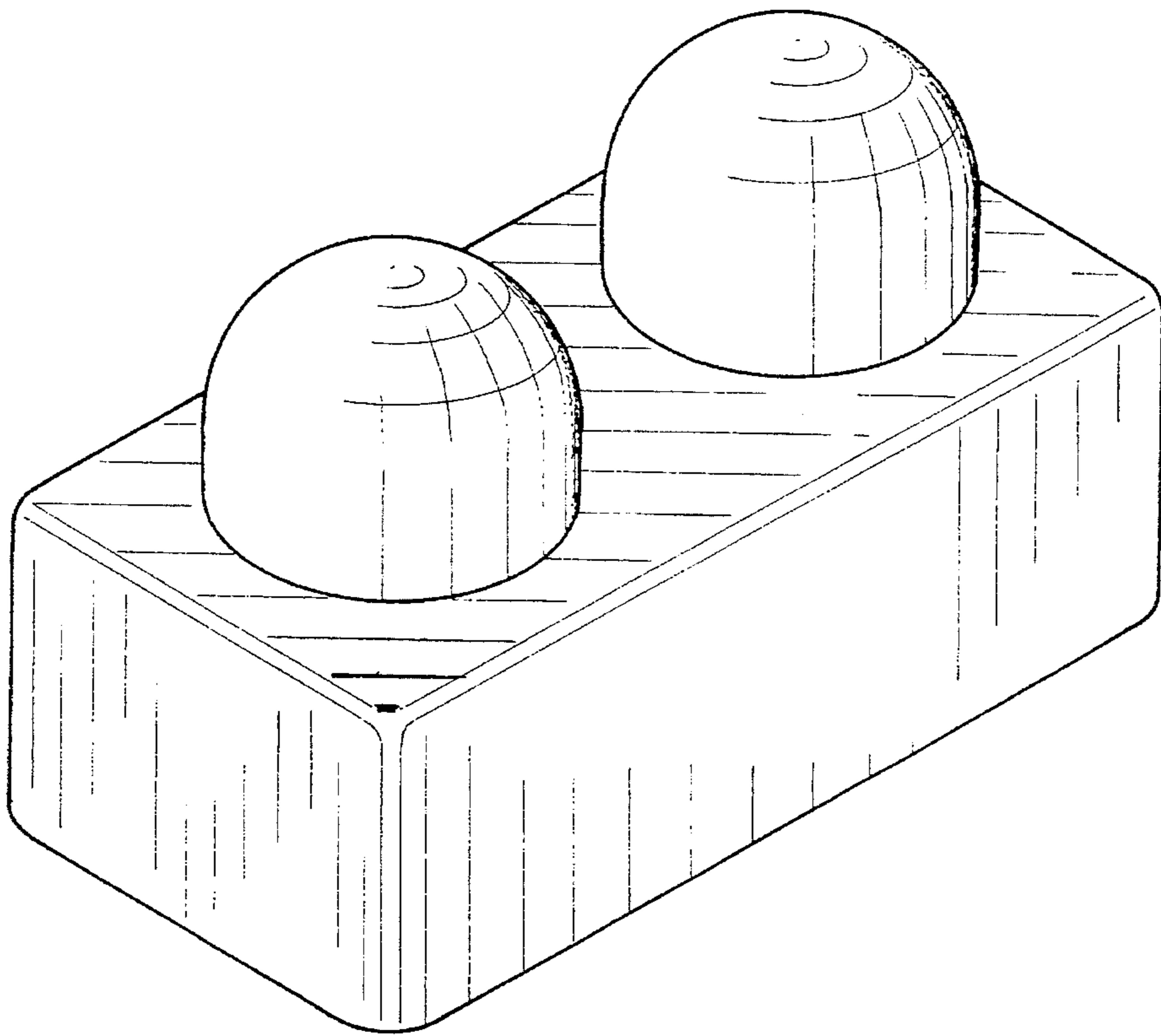


FIG. 1

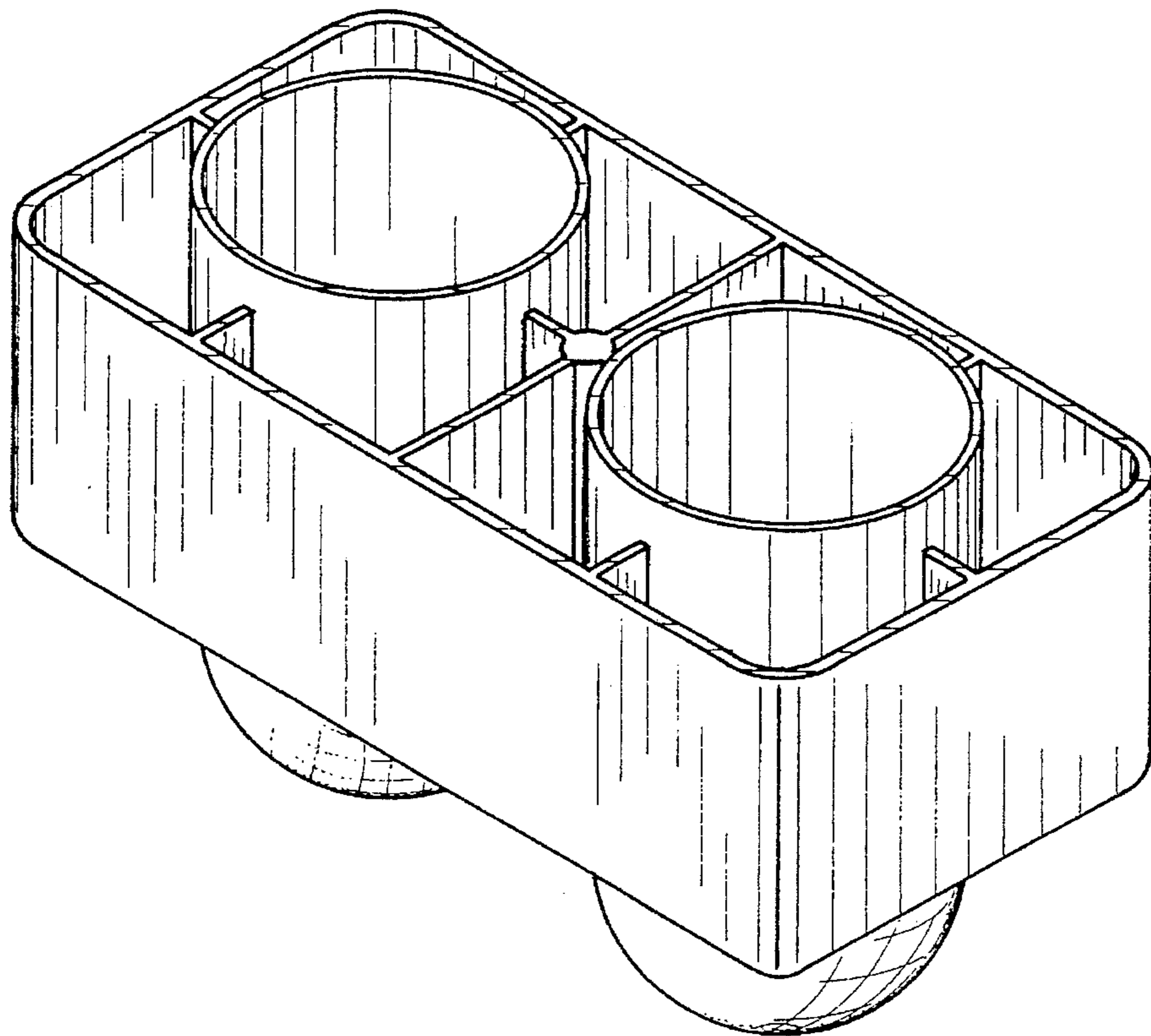


FIG. 2

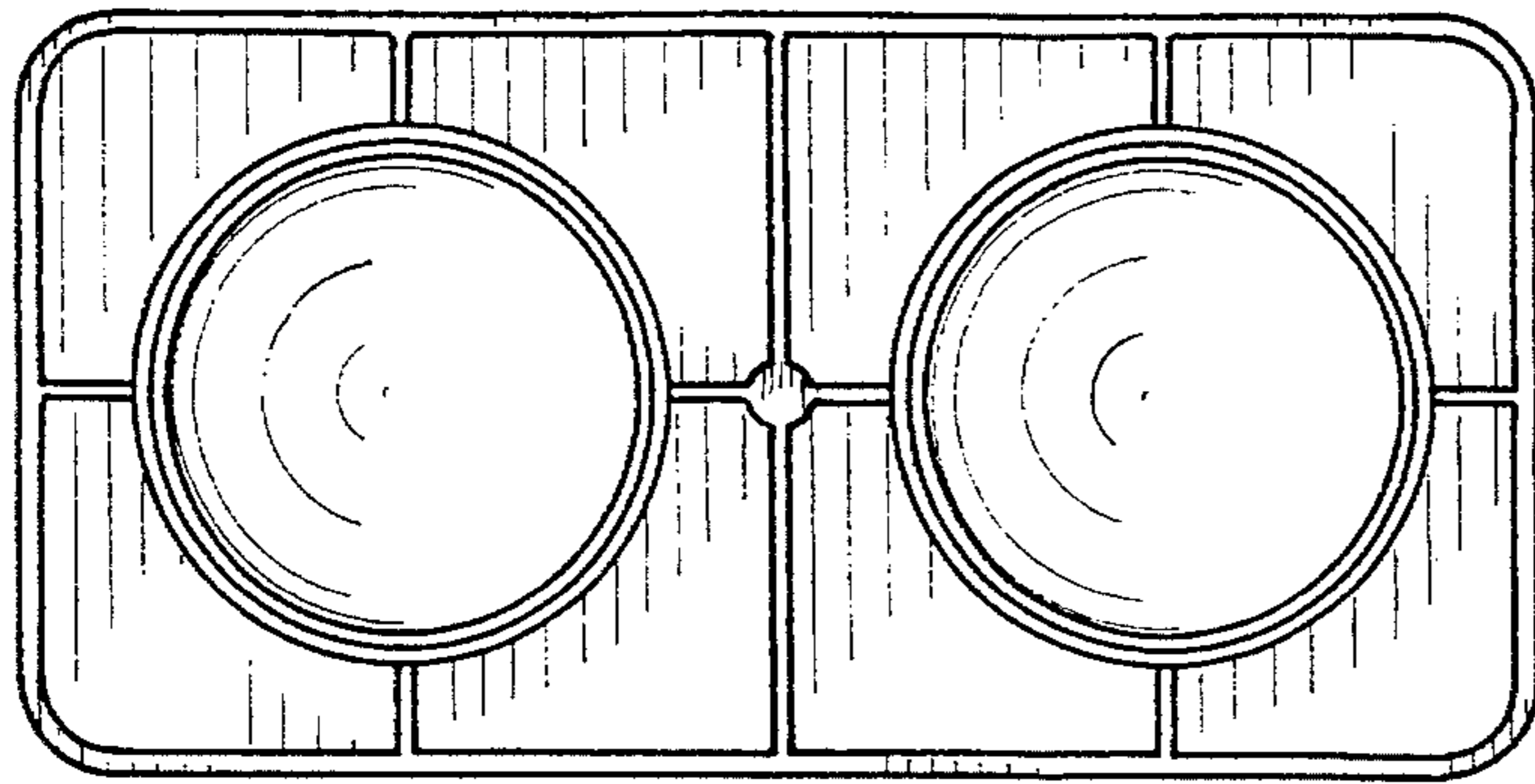


FIG. 5

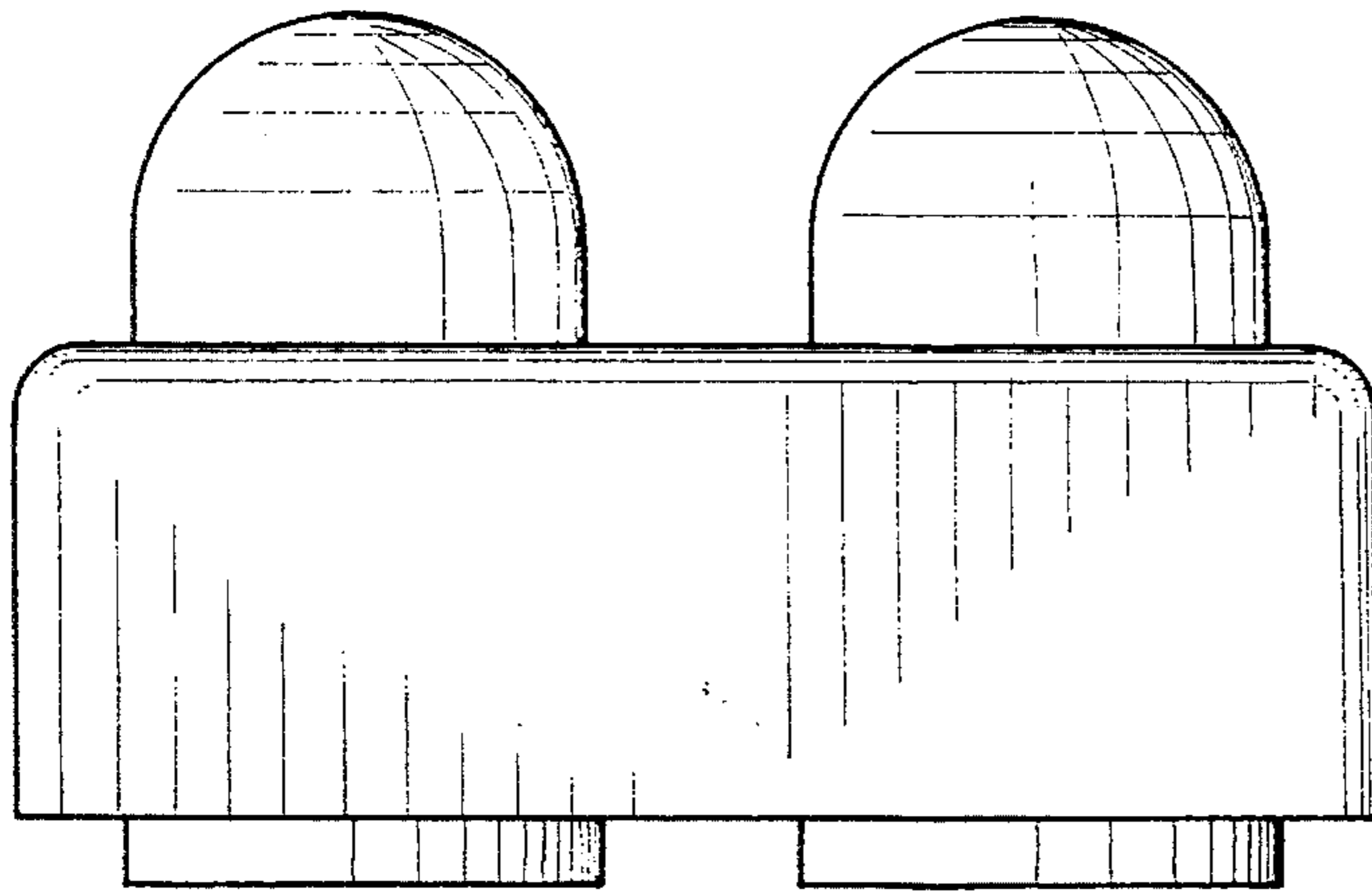


FIG. 4

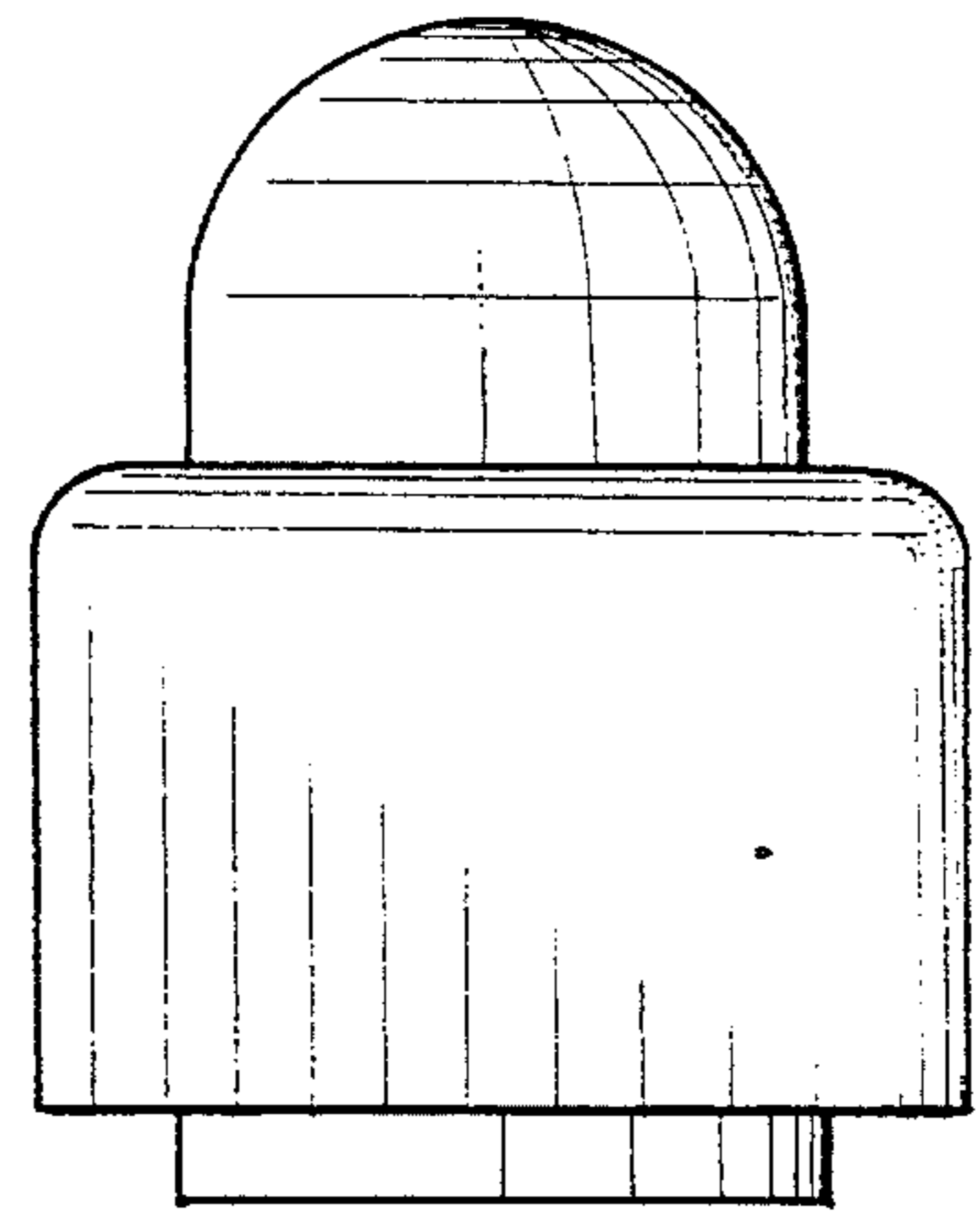


FIG. 3

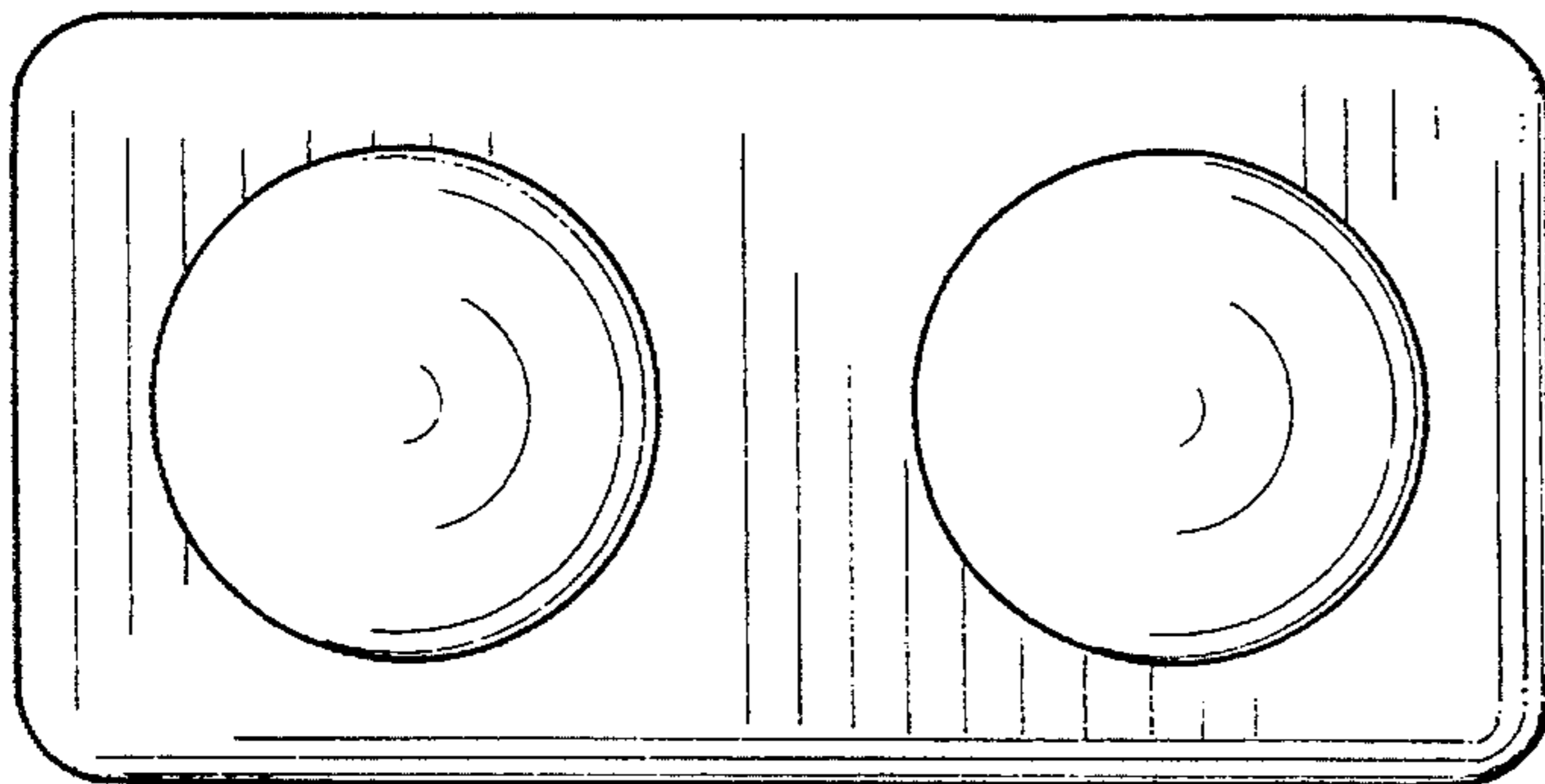


FIG. 6